



US00D907637S

(12) **United States Design Patent**  
**Han et al.**

(10) **Patent No.:** **US D907,637 S**  
(45) **Date of Patent:** **\*\* Jan. 12, 2021**

- (54) **ELECTRONIC DEVICE**
- (71) Applicant: **Amazon Technologies, Inc.**, Seattle, WA (US)
- (72) Inventors: **Sun Joo Han**, San Francisco, CA (US); **Christopher Green**, San Francisco, CA (US); **Giles David Matthew McWilliam**, San Francisco, CA (US)
- (73) Assignee: **Amazon Technologies, Inc.**, Seattle, WA (US)

- D736,777 S \* 8/2015 Rayner ..... D14/440
- D739,365 S \* 9/2015 Garcia ..... D14/126
- D752,044 S \* 3/2016 Akana ..... D14/344
- D764,477 S \* 8/2016 Su ..... D14/440
- D768,122 S \* 10/2016 Buffone ..... D14/250
- D778,279 S \* 2/2017 Pendse ..... D14/341
- D784,331 S \* 4/2017 Balch ..... F16M 11/10  
D14/371
- D789,362 S \* 6/2017 Eljas ..... D14/366
- D790,551 S \* 6/2017 Hoejlund-Hansen
- D806,066 S \* 12/2017 McWilliam ..... D14/314
- D840,391 S \* 2/2019 Son ..... D14/336

(Continued)

(\*\*) Term: **15 Years**

(21) Appl. No.: **29/698,386**

(22) Filed: **Jul. 16, 2019**

**Related U.S. Application Data**

- (62) Division of application No. 29/626,976, filed on Nov. 21, 2017, now Pat. No. Des. 862,476.
- (51) **LOC (13) Cl.** ..... **14-02**
- (52) **U.S. Cl.**  
USPC ..... **D14/440**; D14/341
- (58) **Field of Classification Search**  
USPC .... D14/440, 447, 250, 341; 206/45.23, 320,  
206/45.2; 361/679.55; 294/25; 224/218;  
455/575.8  
CPC ... G06F 1/1628; G06F 1/1626; A47B 23/044;  
H04B 1/3888; A45C 11/00  
See application file for complete search history.

(56) **References Cited**

**U.S. PATENT DOCUMENTS**

- 5,717,566 A 2/1998 Tao
- D697,910 S \* 1/2014 Bianco ..... D14/336
- D703,311 S \* 4/2014 Daly ..... D24/110
- D707,229 S \* 6/2014 Almodova ..... D14/440
- D717,304 S \* 11/2014 Yturralde ..... D14/420
- D735,199 S \* 7/2015 Song ..... D14/432

**OTHER PUBLICATIONS**

The Canadian Office Action dated Jan. 31, 2019 for Canadian Design Application No. 180989, a counterpart foreign application of Design U.S. Appl. No. 29/626,976, 1 page.

(Continued)

*Primary Examiner* — Cynthia R Underwood

(74) *Attorney, Agent, or Firm* — Lee & Hayes, P.C.

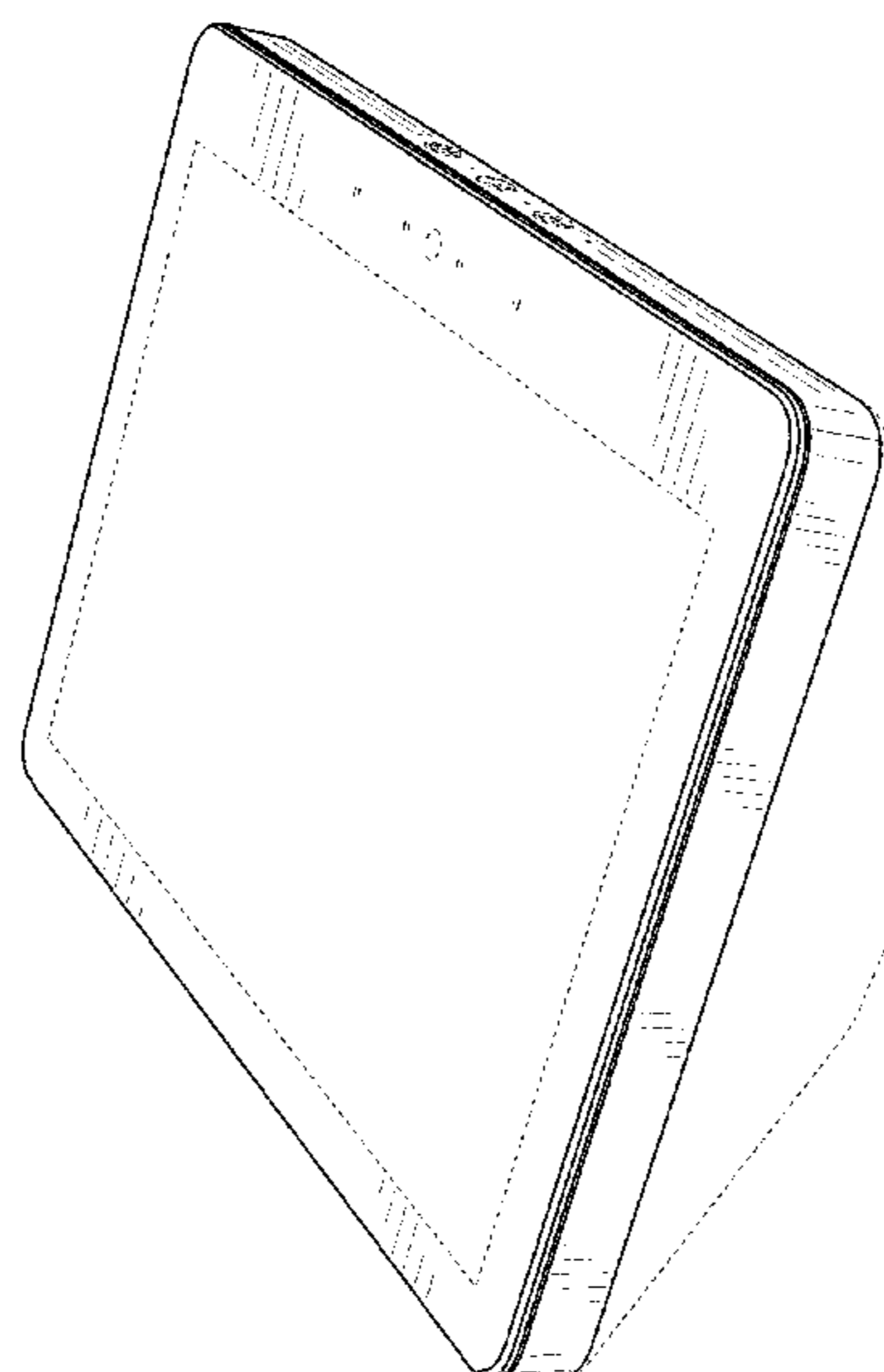
(57) **CLAIM**

The ornamental design for an electronic device, as shown and described.

**DESCRIPTION**

FIG. 1 is a top, front perspective view of an electronic device;  
FIG. 2 is a bottom, back perspective view thereof;  
FIG. 3 is a front view thereof;  
FIG. 4 is a back view thereof;  
FIG. 5 is a left-side view thereof;  
FIG. 6 is a right-side view thereof;  
FIG. 7 is a top view thereof; and,  
FIG. 8 is a bottom view thereof.  
The dashed broken lines depict portions of the electronic device that form no part of the claimed design.

**1 Claim, 8 Drawing Sheets**



(56)

**References Cited**

U.S. PATENT DOCUMENTS

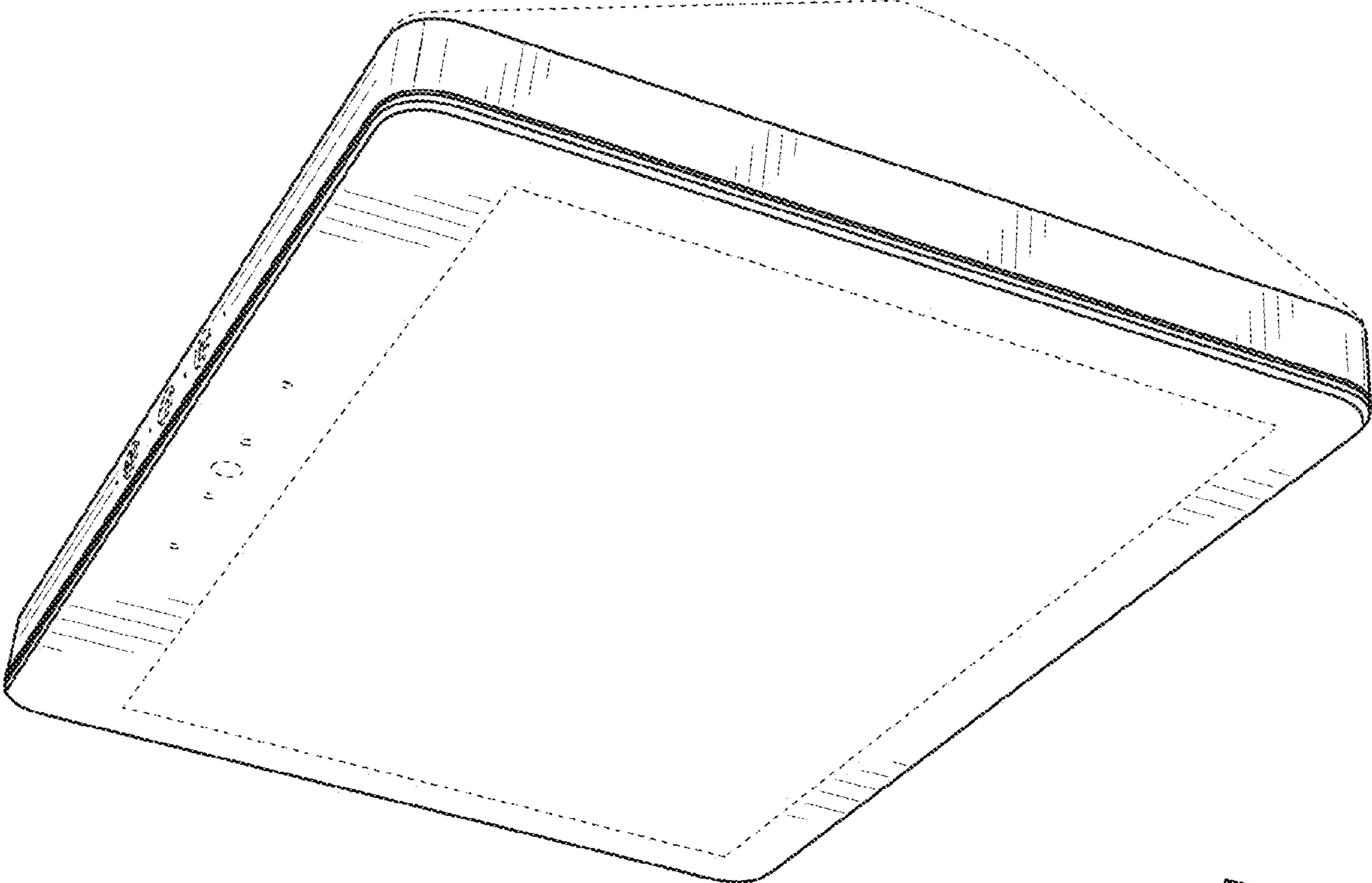
D841,644	S	*	2/2019	McWilliam	.....	D14/314
D864,952	S	*	10/2019	Tsukamoto	.....	D14/341
D873,265	S	*	1/2020	Wall	.....	D14/341
D878,377	S	*	3/2020	Tur	.....	D14/440
D879,772	S	*	3/2020	Wall	.....	D14/341
D888,678	S	*	6/2020	Ryu	.....	D14/126
D888,679	S	*	6/2020	Kim	.....	D14/126
D888,680	S	*	6/2020	Kim	.....	D14/126
D888,681	S	*	6/2020	Kim	.....	D14/126
D893,479	S	*	8/2020	Ryu	.....	D14/374
2017/0300086	A1		10/2017	Blattel		
2017/0322590	A1		11/2017	Jacobs et al.		

OTHER PUBLICATIONS

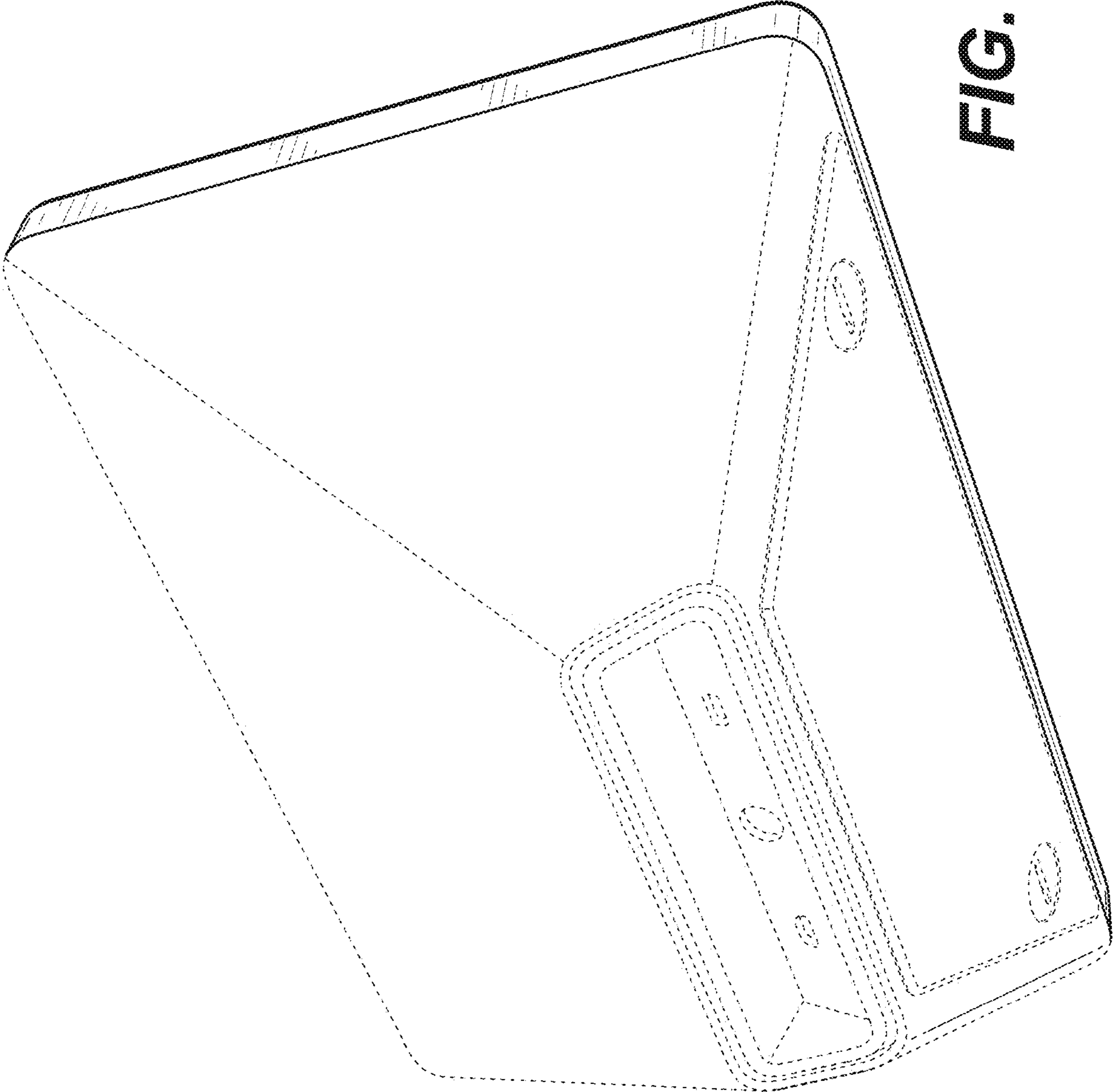
The Indian Office Action dated Jun. 22, 2018 for Indian Design Application No. 305391, a counterpart foreign application of Design U.S. Appl. No. 29/626,976, 11 pages.

The Korean Office Action dated Nov. 8, 2018, for Korean Design Application No. 30-2018-20168, a counterpart foreign design application of the Design U.S. Appl. No. 29/626,976.

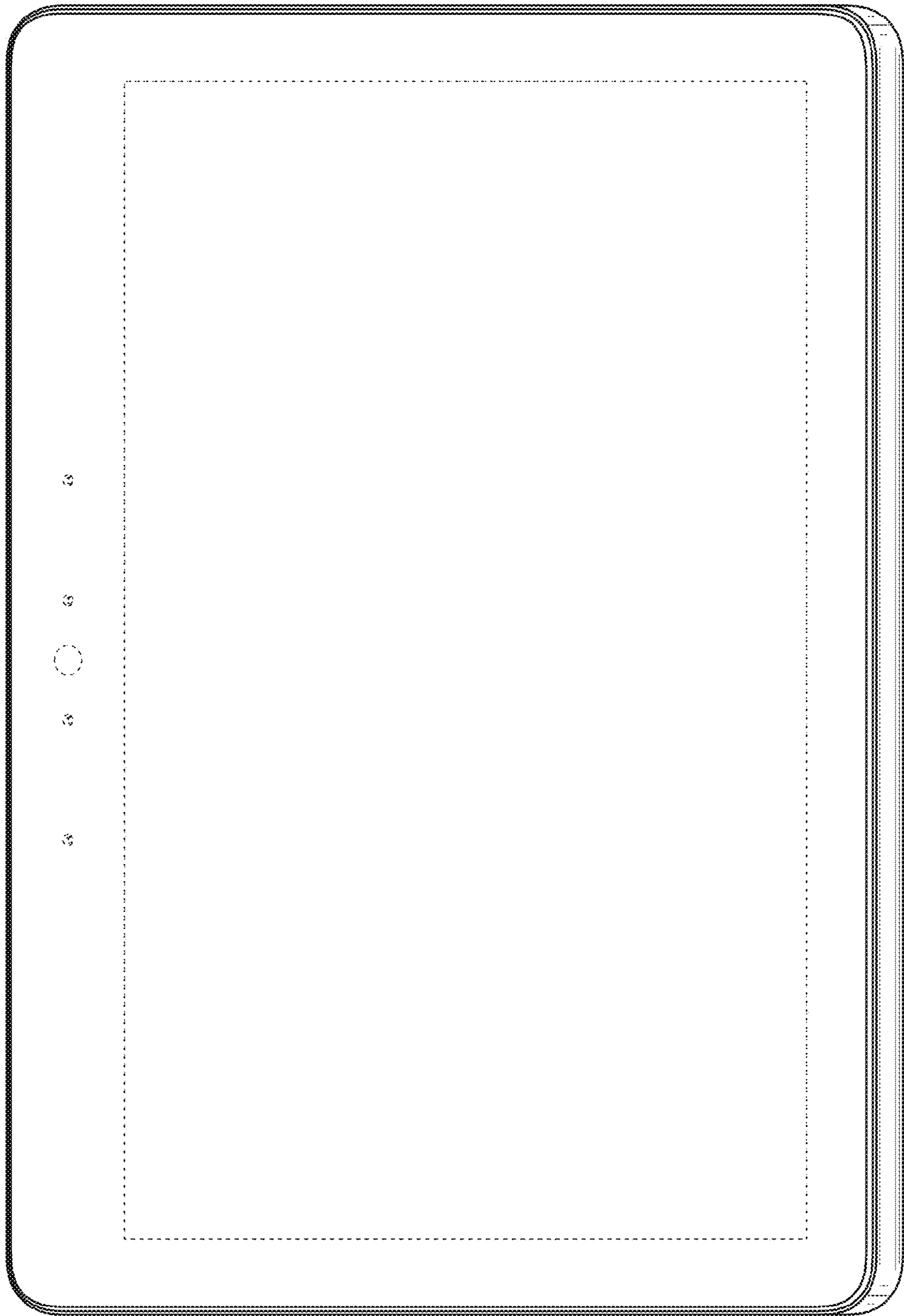
\* cited by examiner



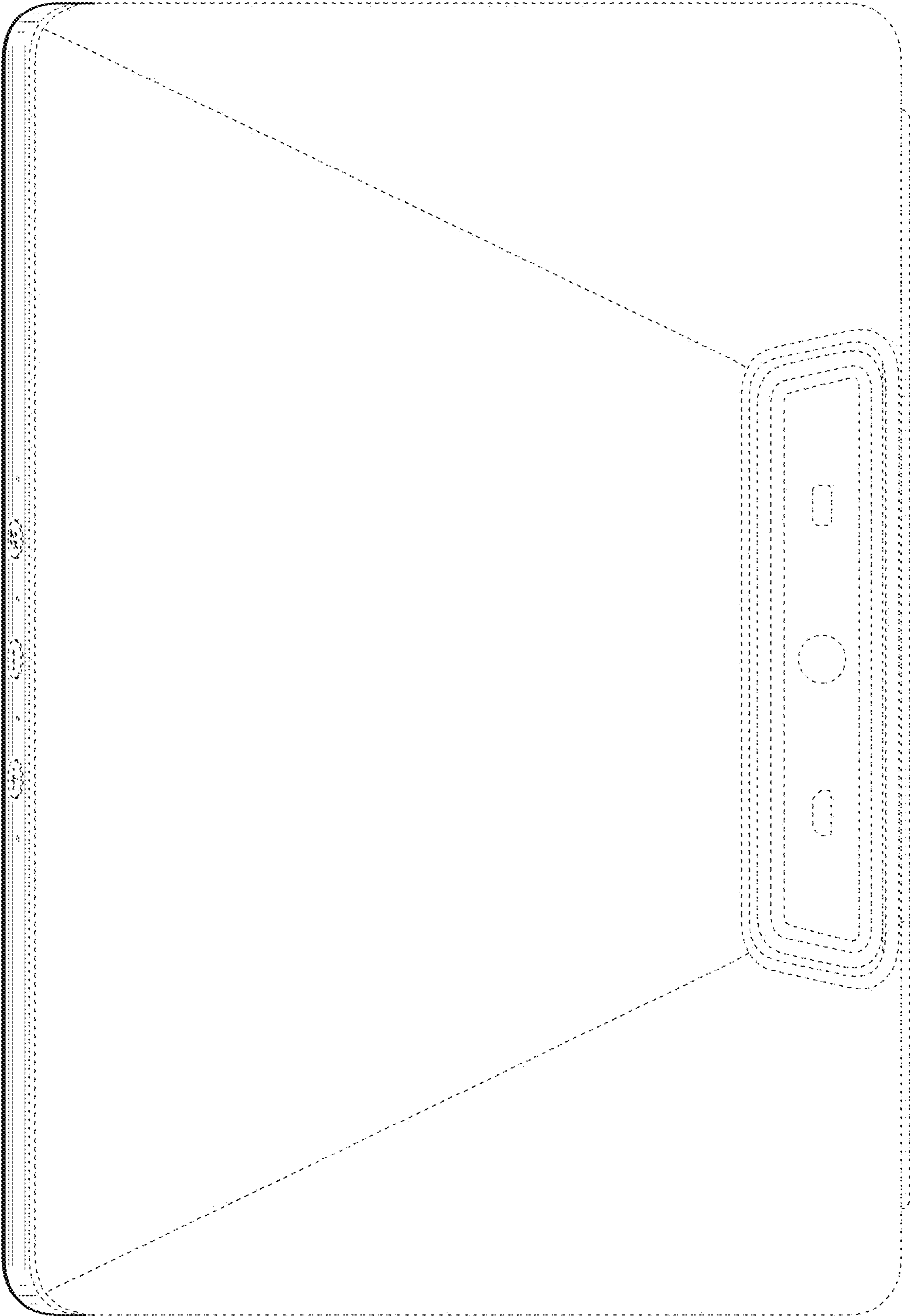
**FIG. 1**



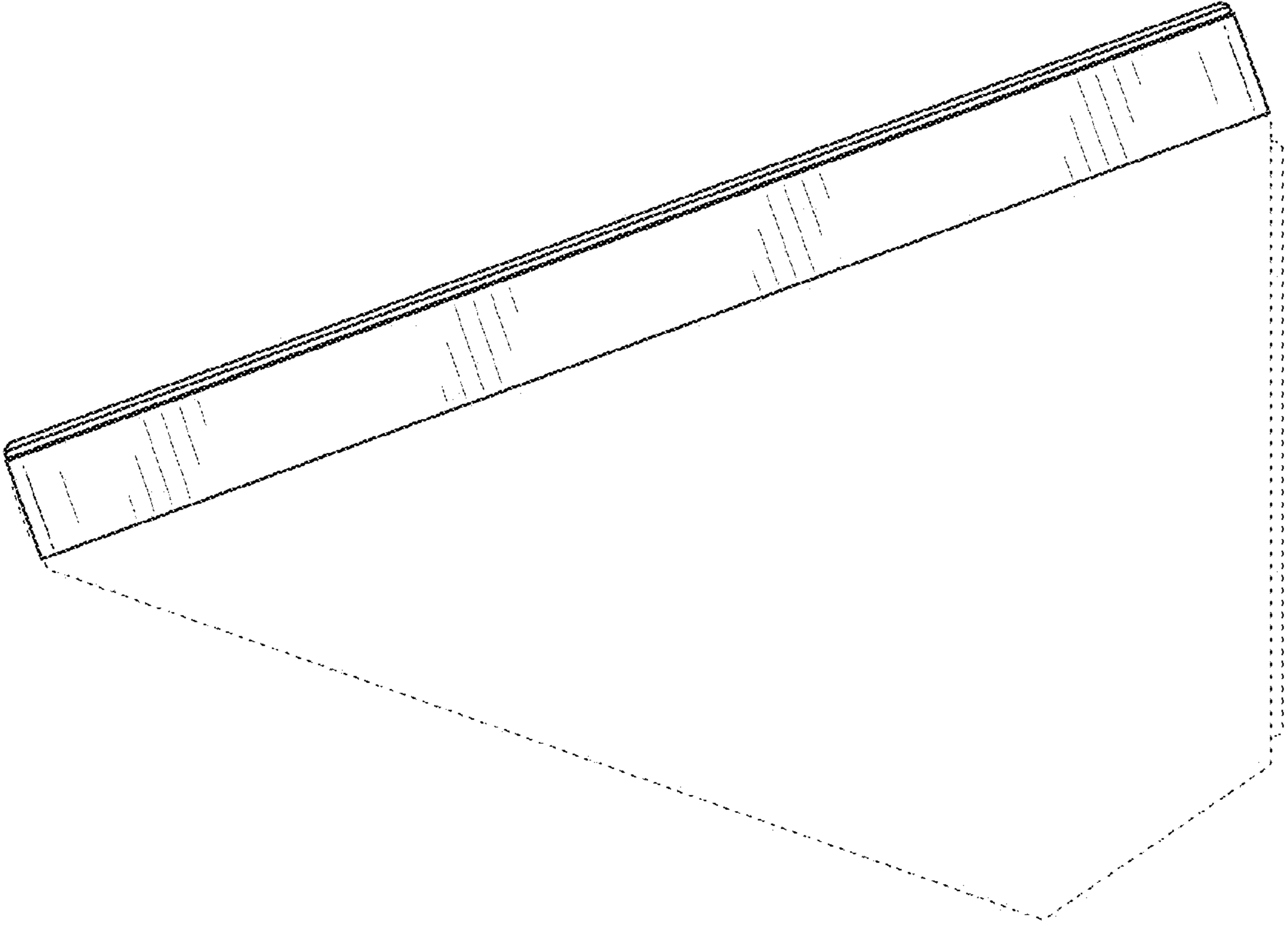
**FIG. 2**



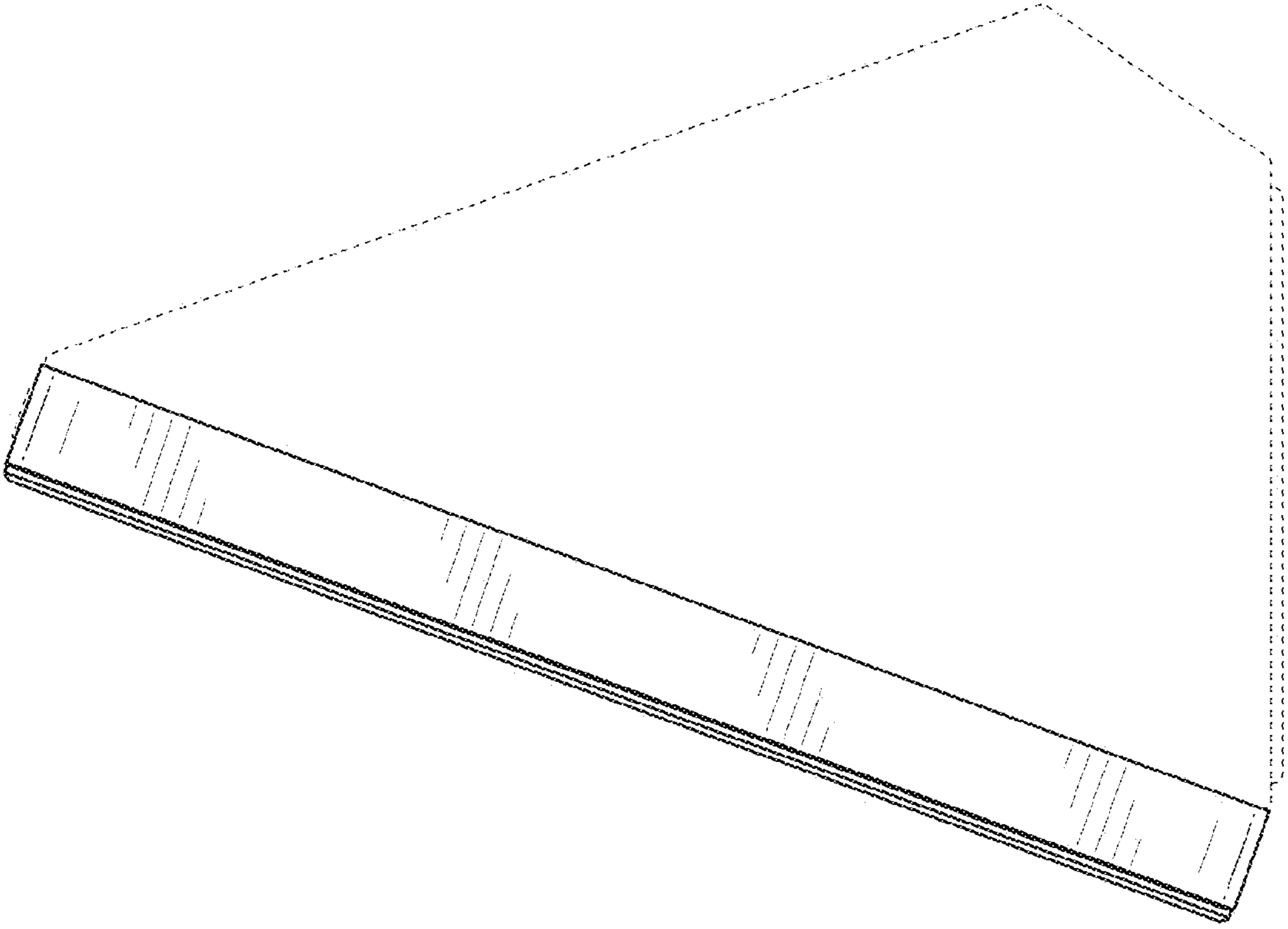
**FIG. 3**



**FIG. 4**

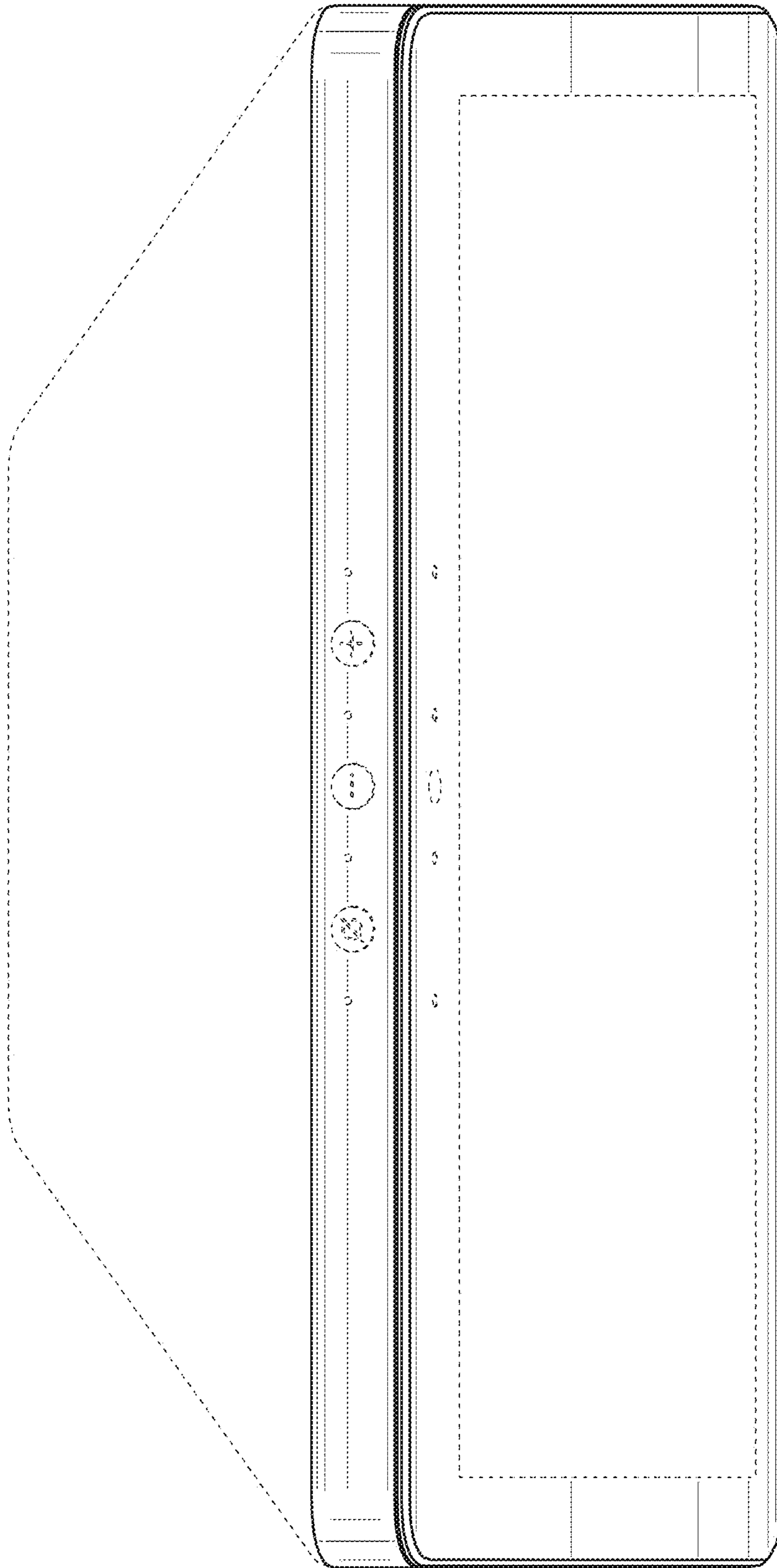


**FIG. 5**

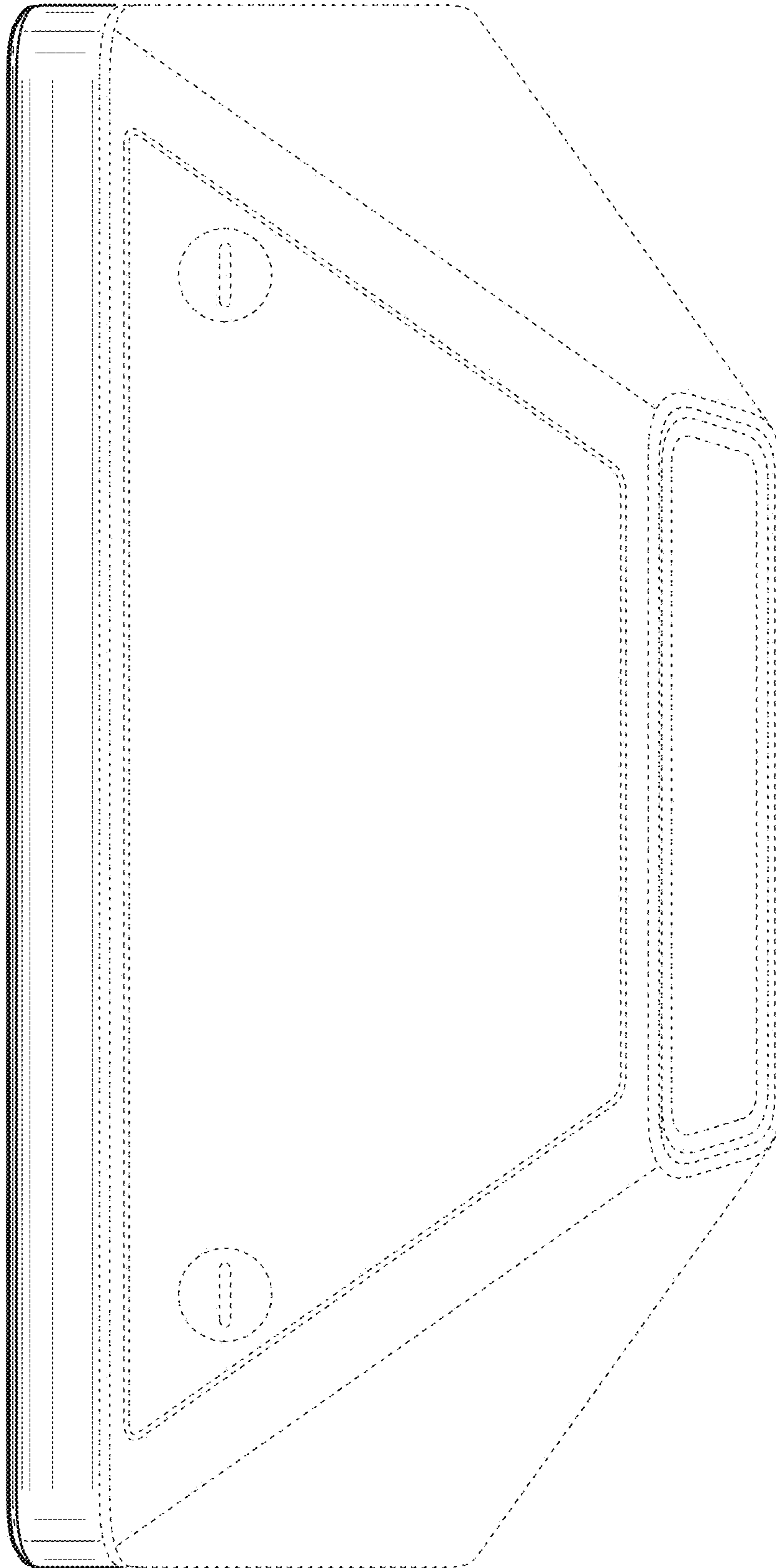


**FIG. 6**





**FIG. 7**



**FIG. 8**