



US00D907636S

(12) **United States Design Patent**
Chen

(10) **Patent No.:** **US D907,636 S**

(45) **Date of Patent:** **** Jan. 12, 2021**

(54) **CONNECTOR HUB**

(71) Applicant: **Haihui Chen**, Longyan (CN)

(72) Inventor: **Haihui Chen**, Longyan (CN)

(**) Term: **15 Years**

(21) Appl. No.: **29/691,782**

(22) Filed: **May 20, 2019**

(51) **LOC (13) Cl.** **14-99**

(52) **U.S. Cl.**
USPC **D14/433**

(58) **Field of Classification Search**
USPC D14/433, 434, 435.1, 480.1-480.7, 436,
D14/484.1, 155, 203.1-203.8, 240, 242,
D14/133, 154; D13/107, 108
CPC G06F 13/122; G06F 13/382; G06F 13/385;
G06F 13/4022; G06F 13/4282; G06F
1/1632; G06F 1/1684; H01R 25/006;
H05K 5/0278; G06K 19/07732

See application file for complete search history.

(56) **References Cited**

U.S. PATENT DOCUMENTS

D506,471 S *	6/2005	Iikura	D14/480.5
D542,788 S *	5/2007	Gutmann	D14/480.5
D566,273 S *	4/2008	Gutmann	D24/146
D705,782 S *	5/2014	McParland	D14/435
D828,356 S *	9/2018	Xie	D14/433
D838,241 S *	1/2019	Xie	D13/108
D847,139 S *	4/2019	Wang	D14/433
D856,324 S *	8/2019	Shim	D14/348
D880,482 S *	4/2020	Wang	D14/433

D881,890 S *	4/2020	Wen	D14/433
D890,759 S *	7/2020	Fan	D14/433
D892,801 S *	8/2020	Liu	D14/434
D894,190 S *	8/2020	Zhang	D14/433

OTHER PUBLICATIONS

Basix USB 3.1 Type C Hub, online, no post date, URL: <https://ng.kikuu.com/item-1661074-basix-usb-3-1-type-c-hub-usb-c-to-hdmi-4k-usb3-0-sd-tf-card-pd-adapter-for-laptop-for-macbook-huawei-mate-10-usb-c-hub.html>, retrieved Sep. 8, 2020.*

* cited by examiner

Primary Examiner — Angela J Lee
Assistant Examiner — Rebekah A Caruso
(74) *Attorney, Agent, or Firm* — W&K IP

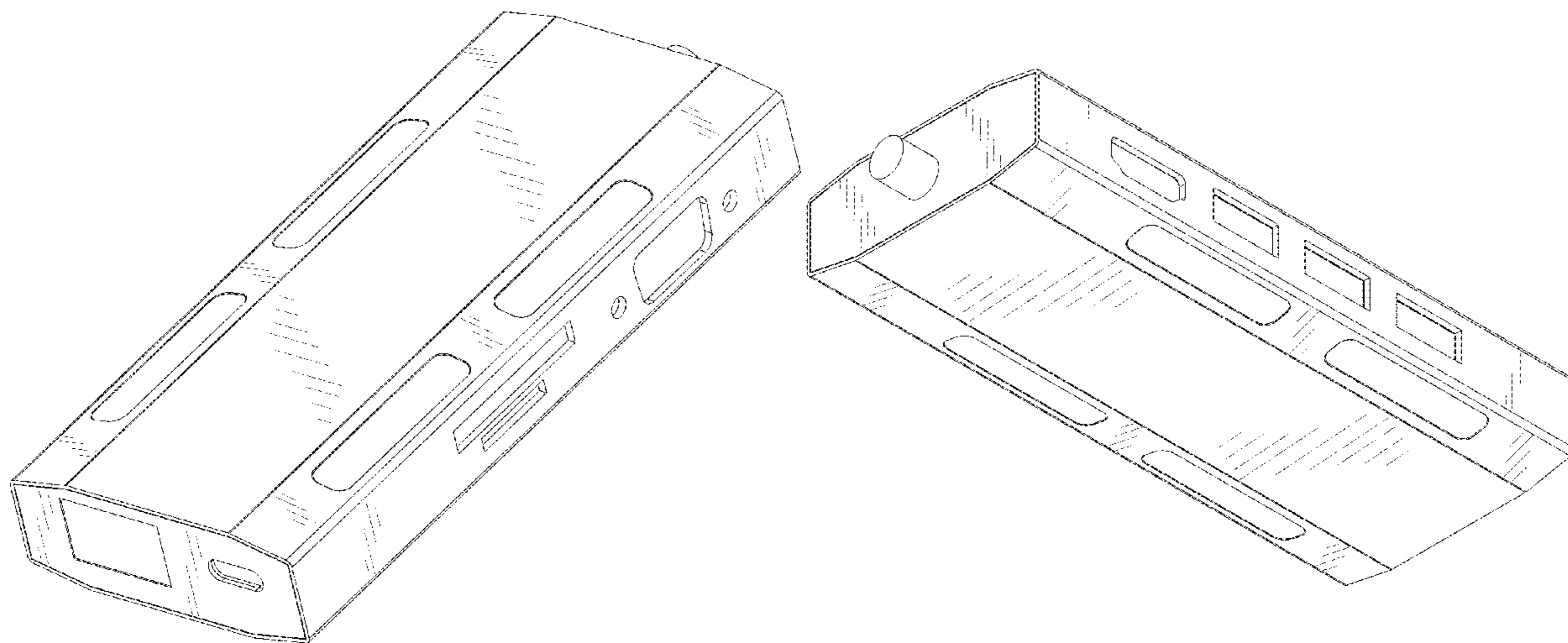
(57) **CLAIM**

The ornamental design for a connector hub, as shown and described.

DESCRIPTION

FIG. 1 is a front perspective view of the connector hub showing my new design;
FIG. 2 is a rear perspective view thereof;
FIG. 3 is a front elevational view thereof;
FIG. 4 is a rear elevational view thereof;
FIG. 5 is a left side elevational view thereof;
FIG. 6 is a right side elevational view thereof;
FIG. 7 is a top plan view thereof; and,
FIG. 8 is a bottom plan view thereof.

1 Claim, 7 Drawing Sheets



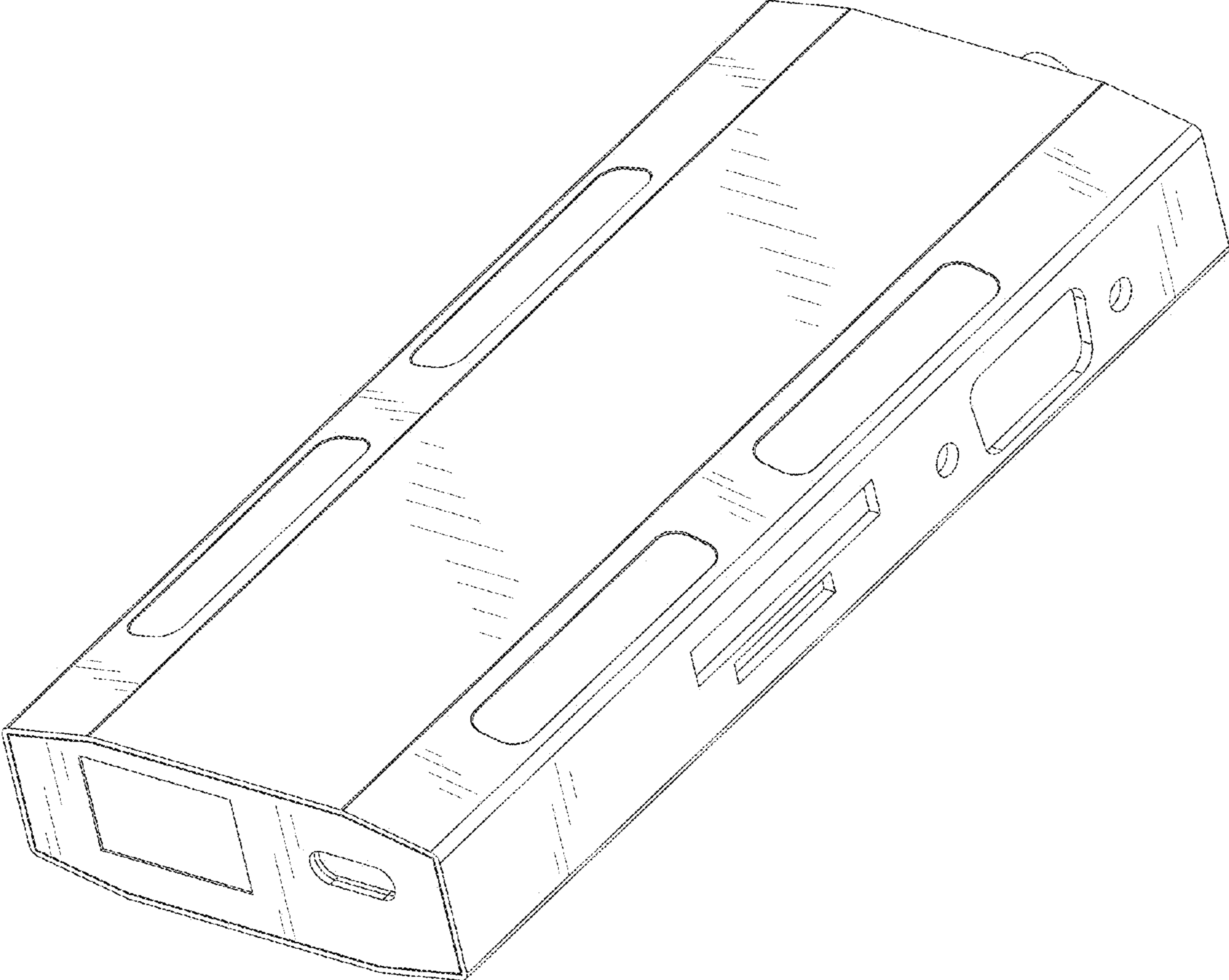


FIG.1

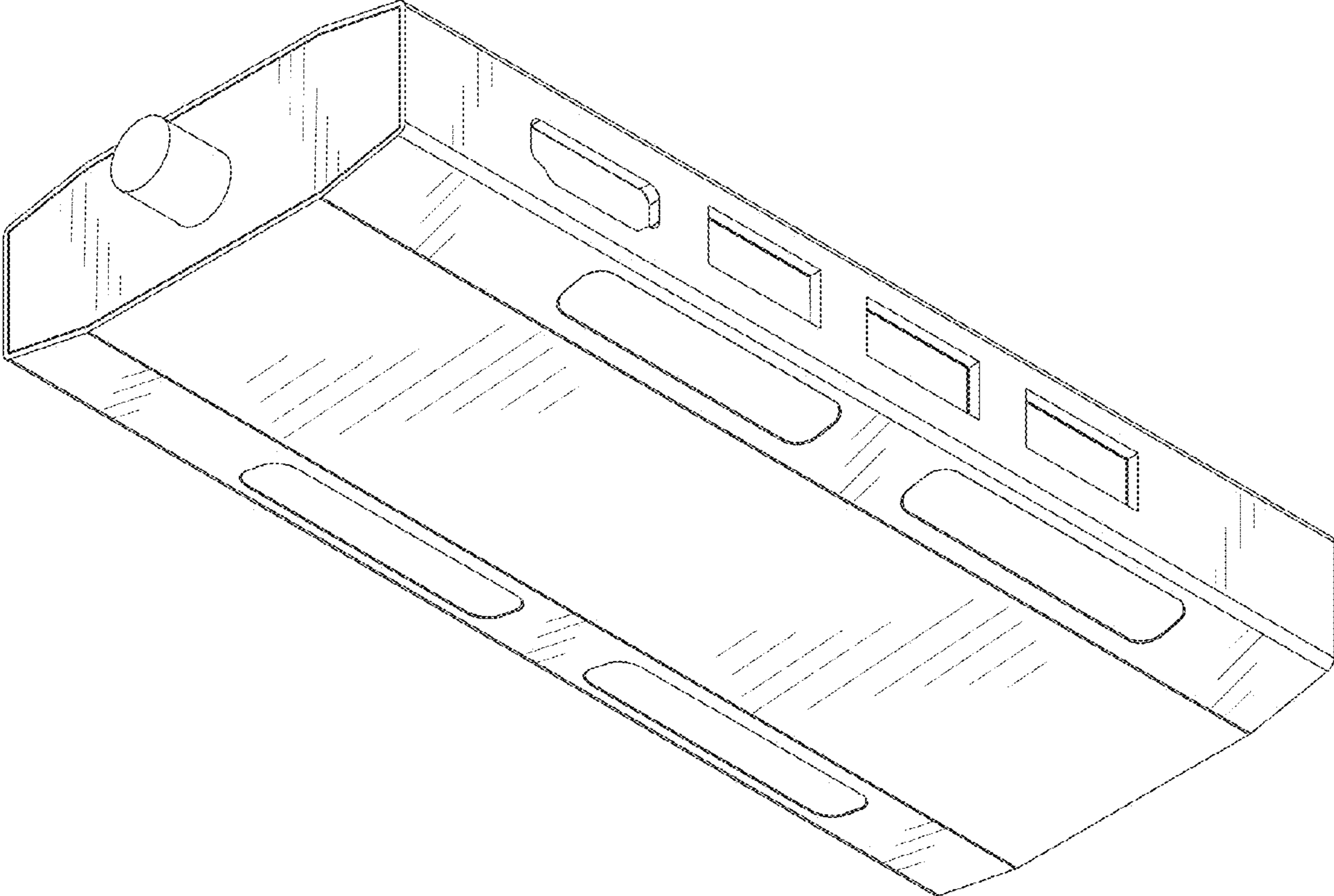


FIG.2

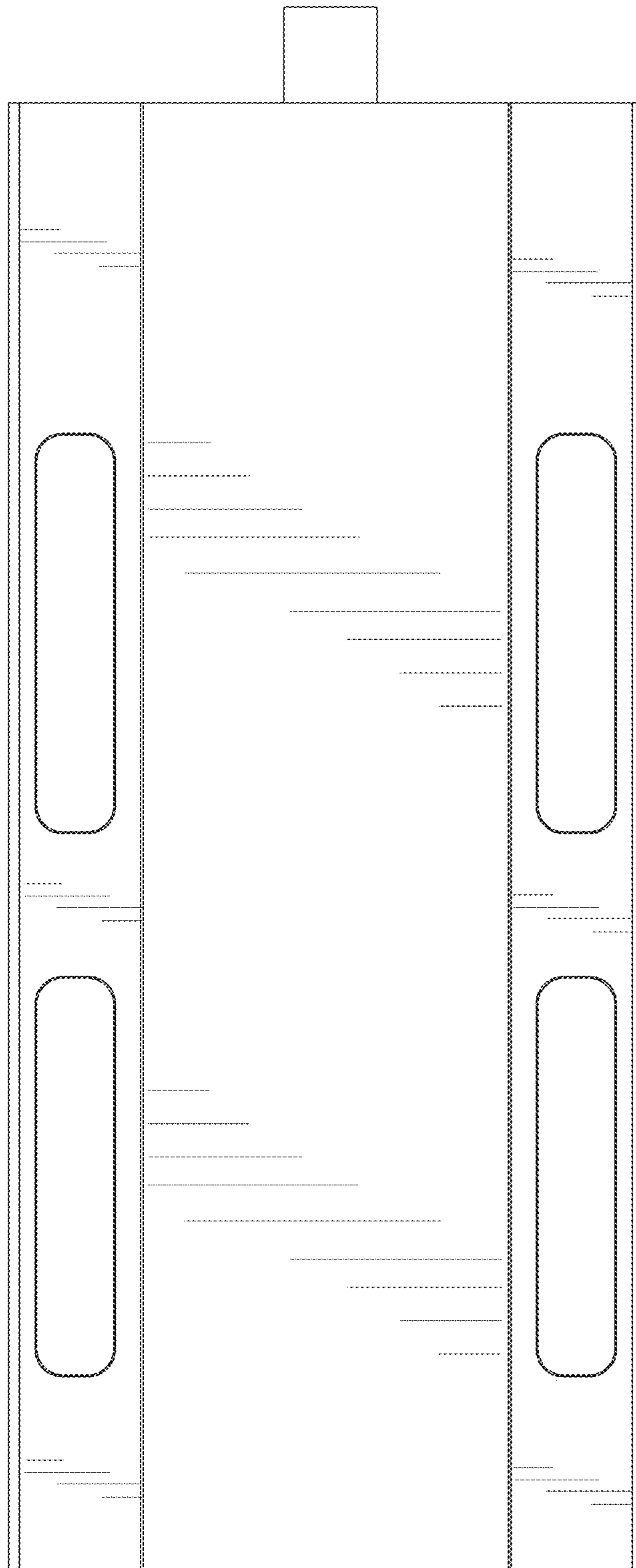


FIG.3

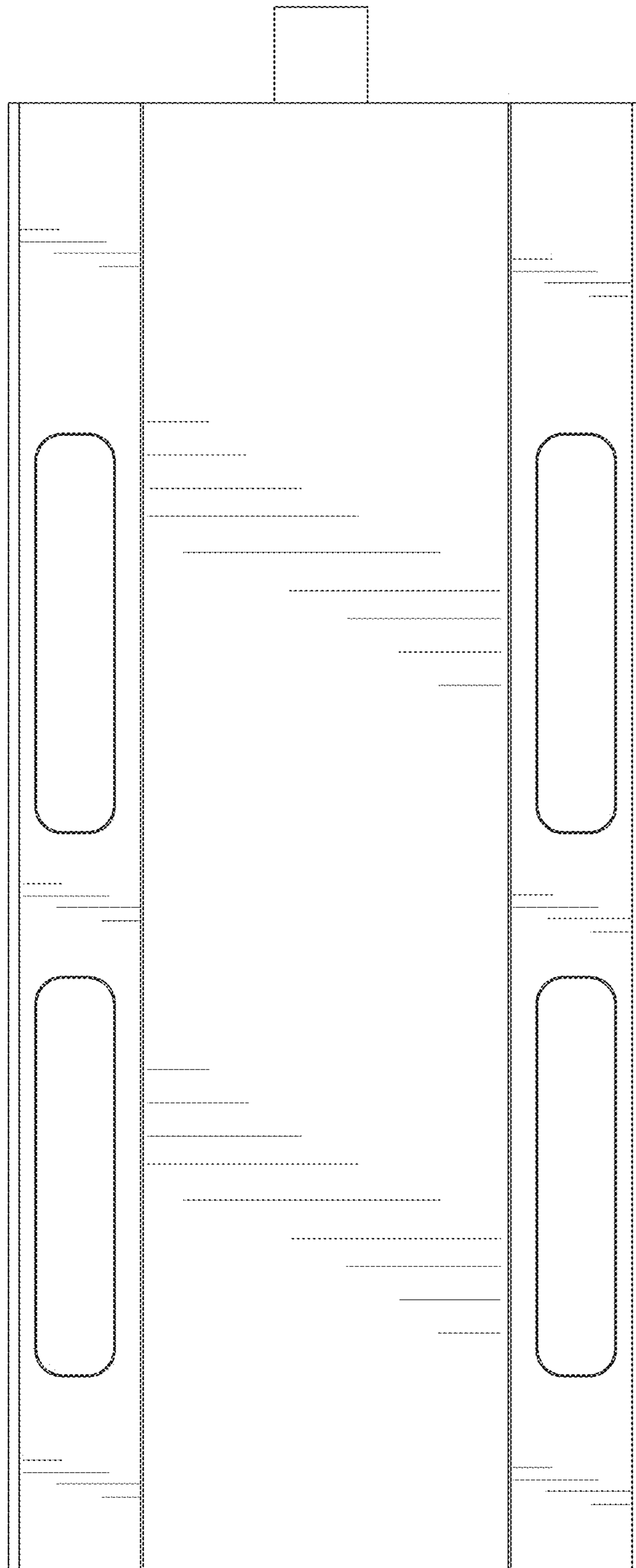


FIG.4

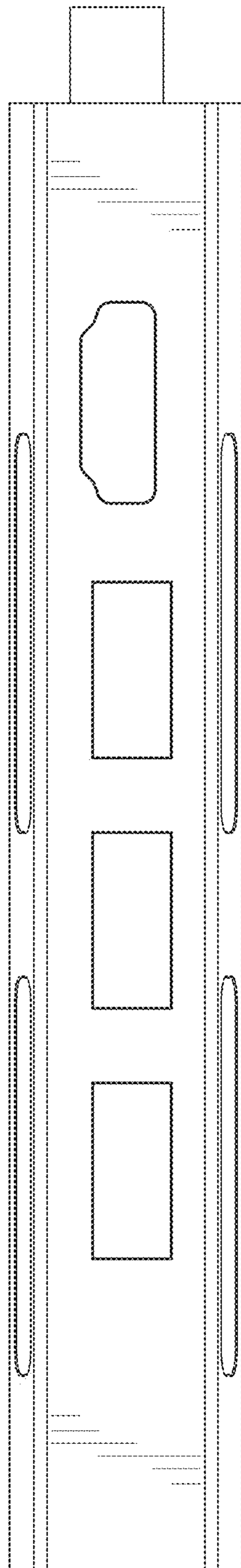


FIG.5

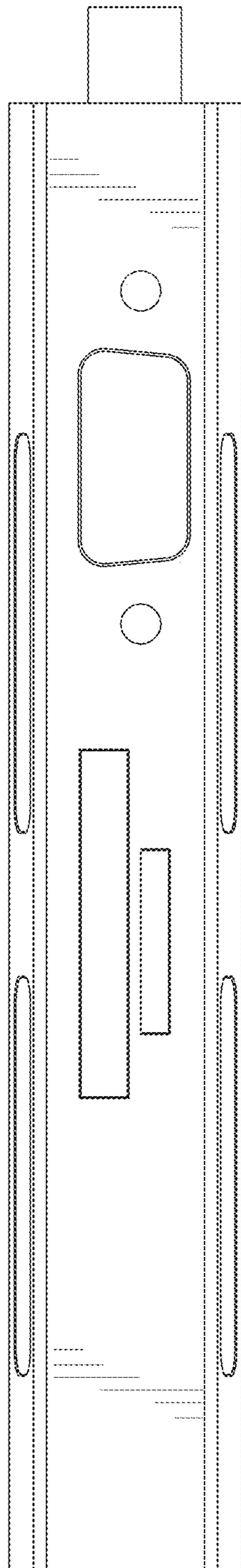


FIG.6

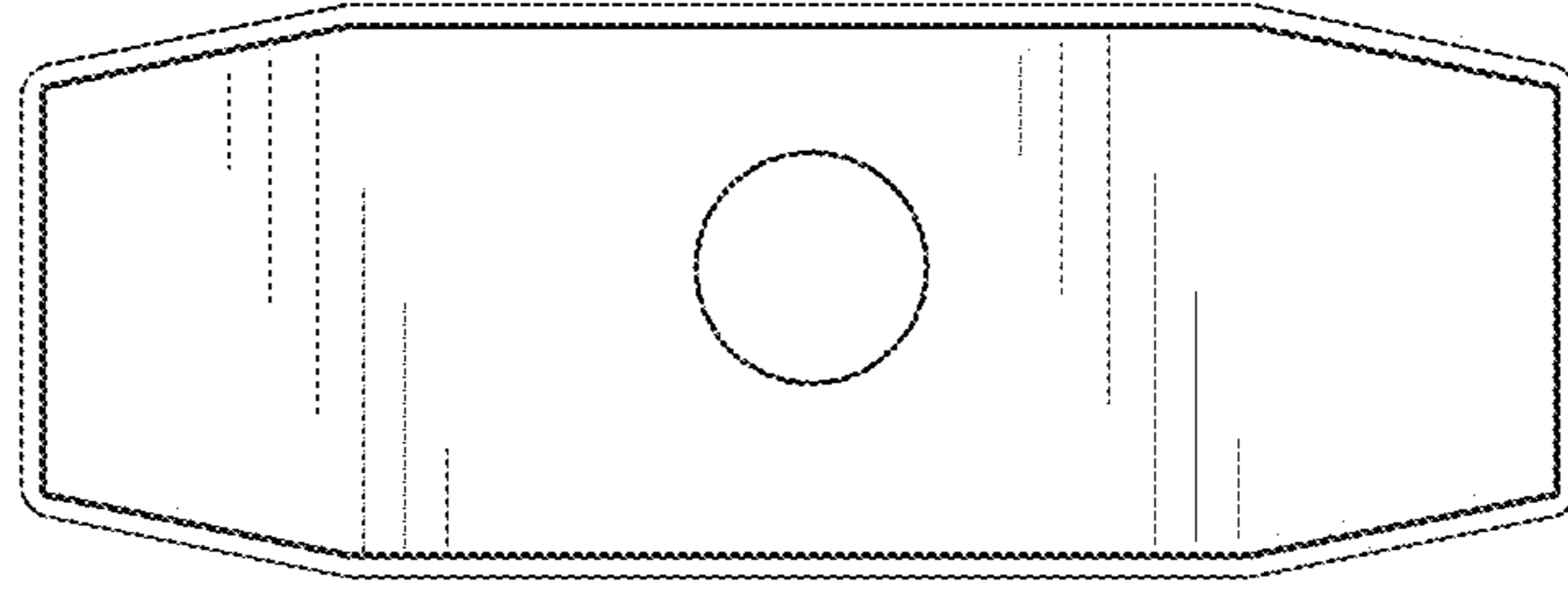


FIG. 7

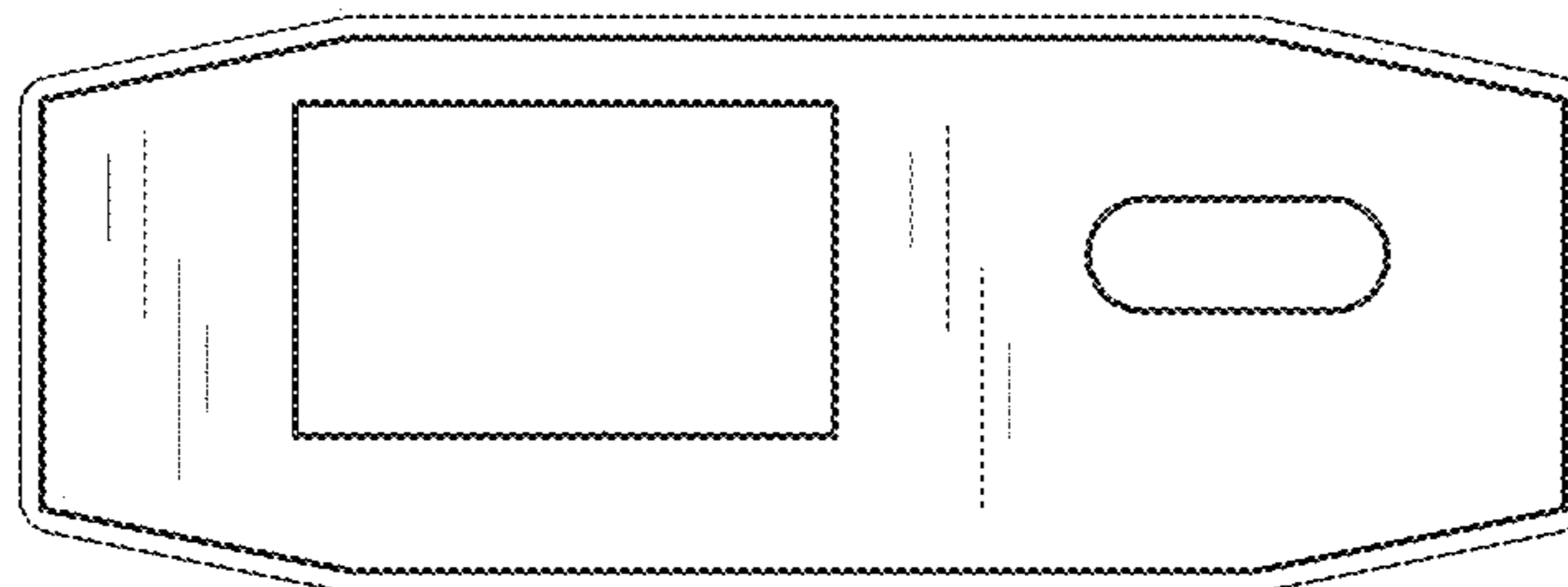


FIG. 8