



US00D907635S

(12) **United States Design Patent** (10) **Patent No.:** **US D907,635 S**
Xie (45) **Date of Patent:** **** Jan. 12, 2021**

(54) **USB-HUB**

(71) Applicant: **Wanliang Xie**, Yongding County (CN)

(72) Inventor: **Wanliang Xie**, Yongding County (CN)

(**) Term: **15 Years**

(21) Appl. No.: **29/691,565**

(22) Filed: **May 17, 2019**

(51) **LOC (13) Cl.** **14-99**

(52) **U.S. Cl.**
USPC **D14/433**

(58) **Field of Classification Search**
USPC D14/433, 434, 435.1, 480.1-480.7, 436,
D14/484.1, 155, 203.1-203.8, 240, 242,
D14/133, 154; D13/107, 108
CPC G06F 13/122; G06F 13/382; G06F 13/385;
G06F 13/4022; G06F 13/4282; G06F
1/1632; G06F 1/1684; H01R 25/006;
H05K 5/0278; G06K 19/07732
See application file for complete search history.

(56) **References Cited**

U.S. PATENT DOCUMENTS

D610,133 S *	2/2010	Asano	D14/240
D689,858 S *	9/2013	Lo	D14/357
D693,798 S *	11/2013	Chuang	D14/240
D705,719 S *	5/2014	Wong	D13/103
D718,288 S *	11/2014	Wang	D14/240
D718,752 S *	12/2014	Wang	D14/240

D782,476 S *	3/2017	Yamazaki	D14/358
D799,423 S *	10/2017	Eliyahu	D13/108
9,997,939 B2 *	6/2018	Li	G06F 1/266
D826,942 S *	8/2018	Lu	D14/433
D844,008 S *	3/2019	Yamazaki	D14/434
D883,291 S *	5/2020	Lin	D14/433
D883,293 S *	5/2020	Zhang	D14/433
D885,396 S *	5/2020	Chen	D14/433
D886,824 S *	6/2020	Zhan	D14/433
D890,760 S *	7/2020	Menendez	D14/434
2016/0202743 A1 *	7/2016	Li	G06F 13/4282 710/313

* cited by examiner

Primary Examiner — Angela J Lee
Assistant Examiner — Rebekah A Caruso
(74) *Attorney, Agent, or Firm* — W&K IP

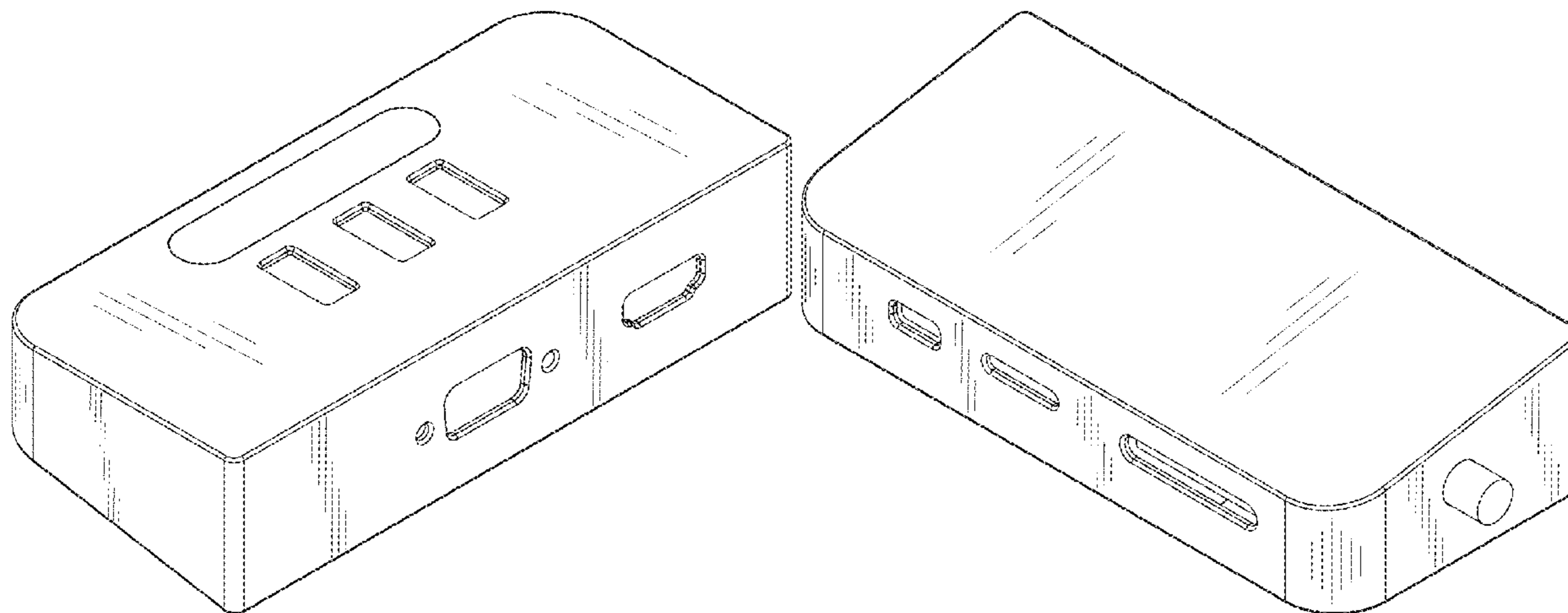
(57) **CLAIM**

The ornamental design for a USB-hub, as shown and described.

DESCRIPTION

FIG. 1 is a front perspective view of the USB-hub showing my new design;
FIG. 2 is a rear perspective view thereof;
FIG. 3 is a front elevational view thereof;
FIG. 4 is a rear elevational view thereof;
FIG. 5 is a left side elevational view thereof;
FIG. 6 is a right side elevational view thereof;
FIG. 7 is a top plan view thereof; and,
FIG. 8 is a bottom plan view thereof.

1 Claim, 6 Drawing Sheets



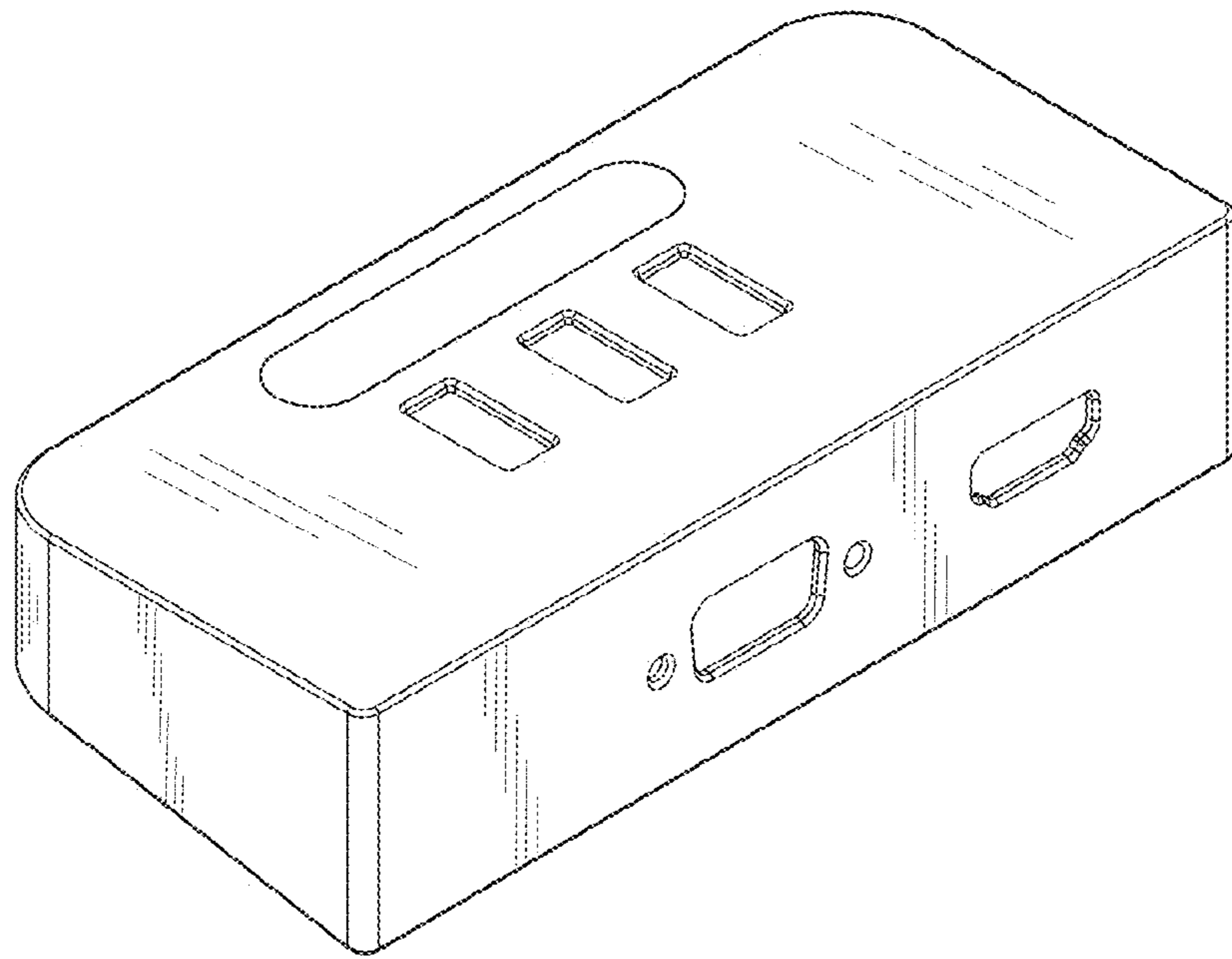


FIG.1

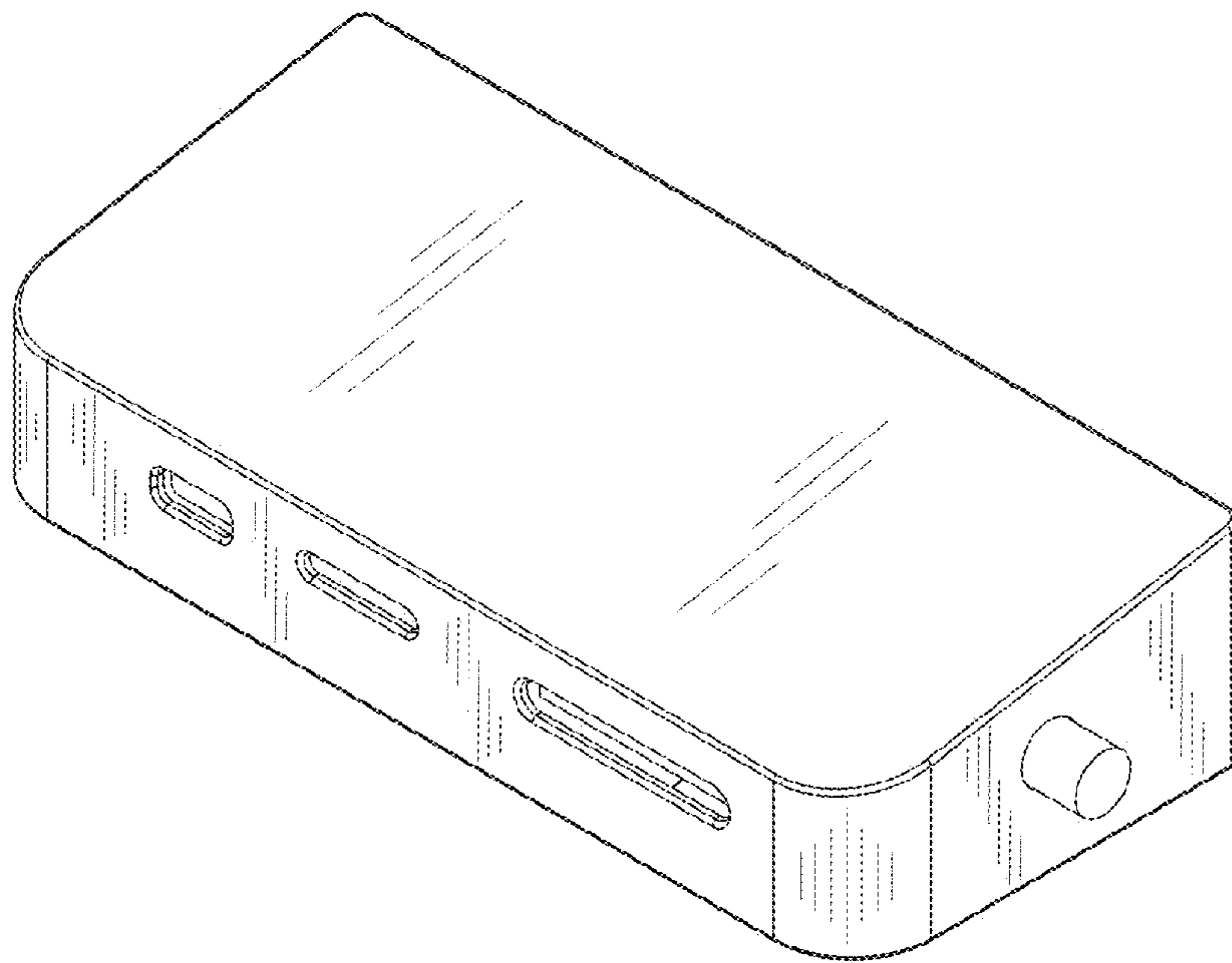


FIG.2

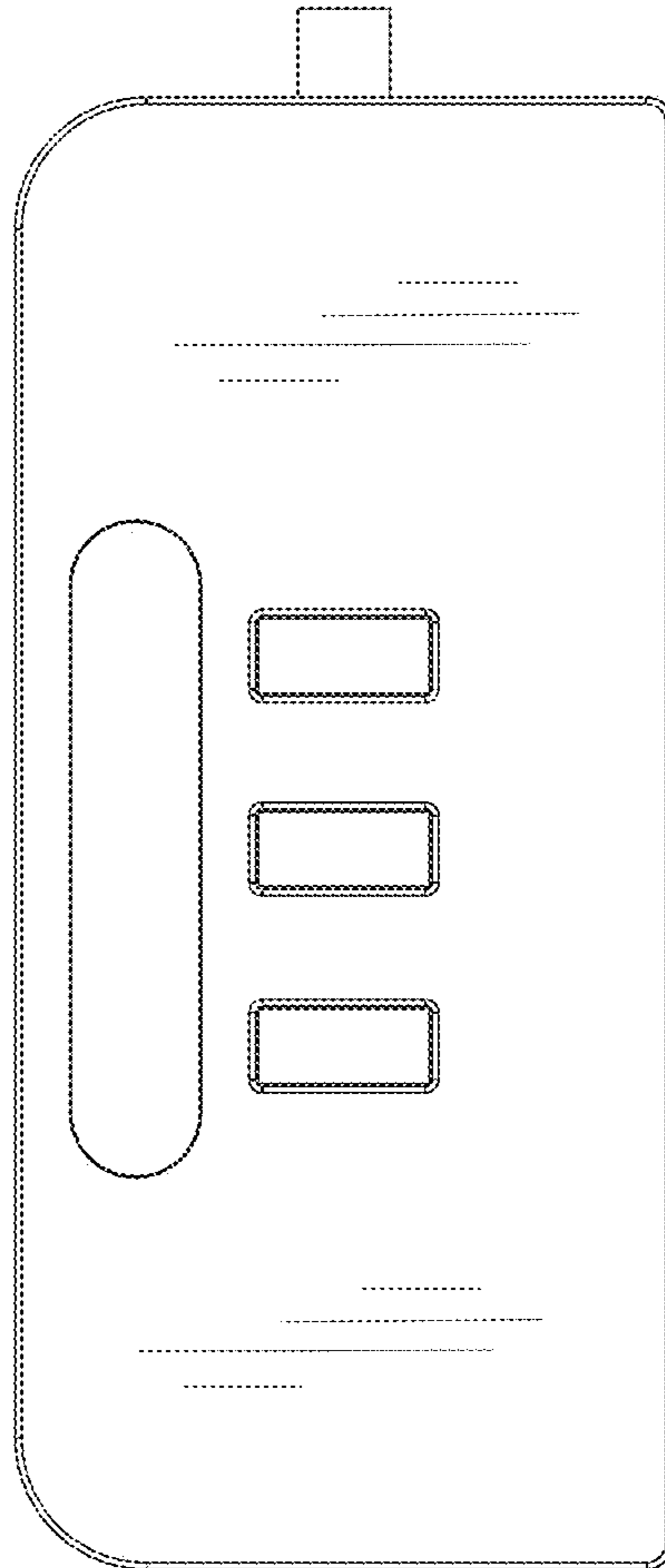


FIG.3

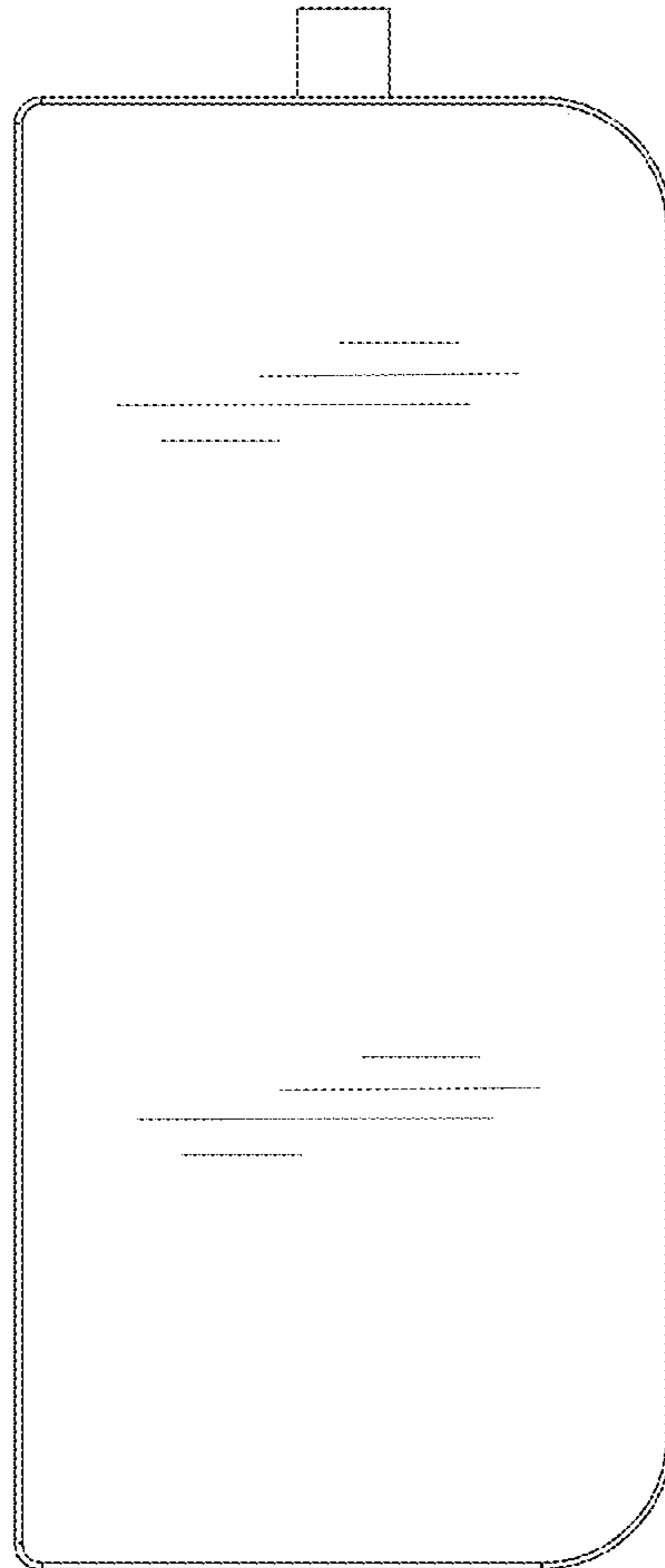


FIG.4

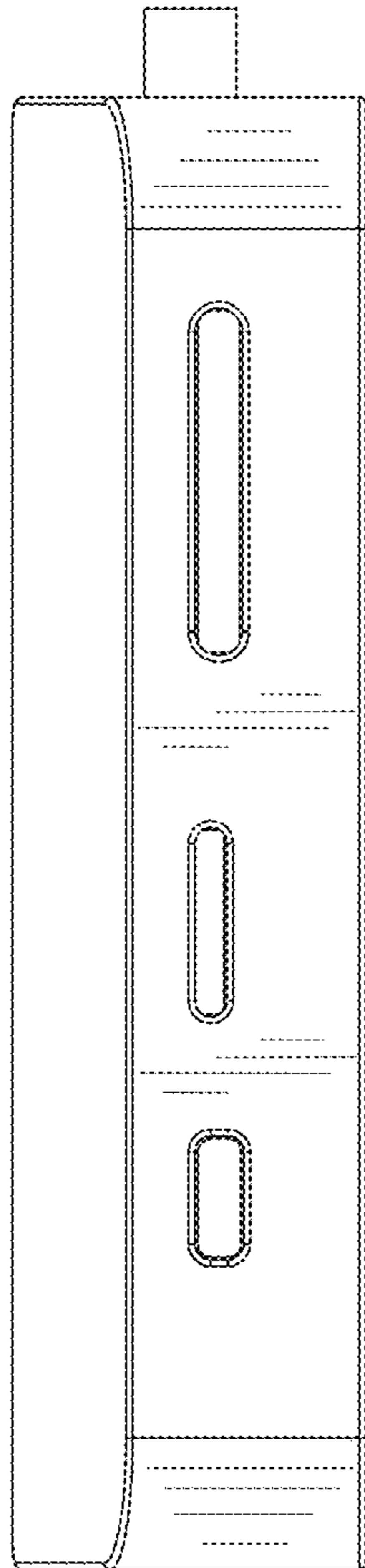


FIG.5

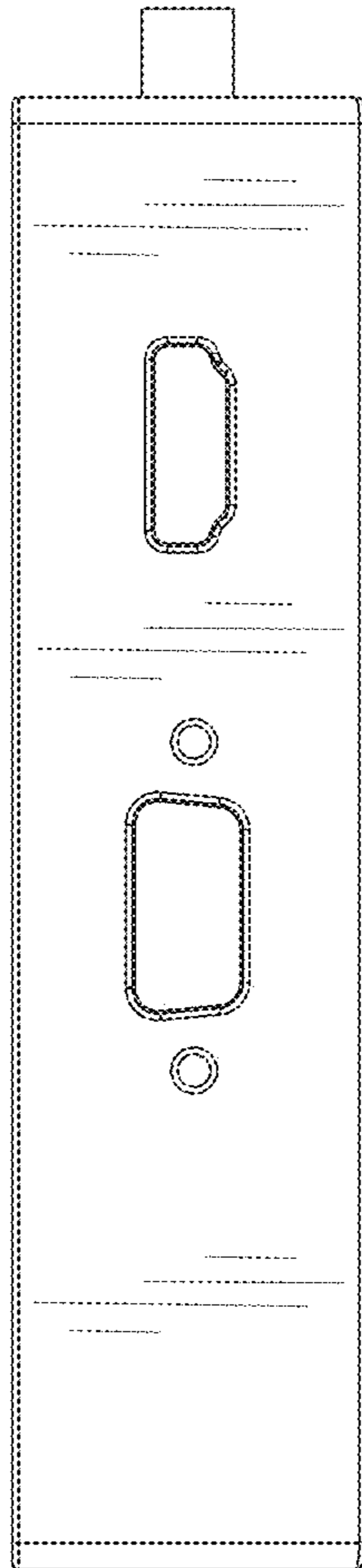


FIG.6

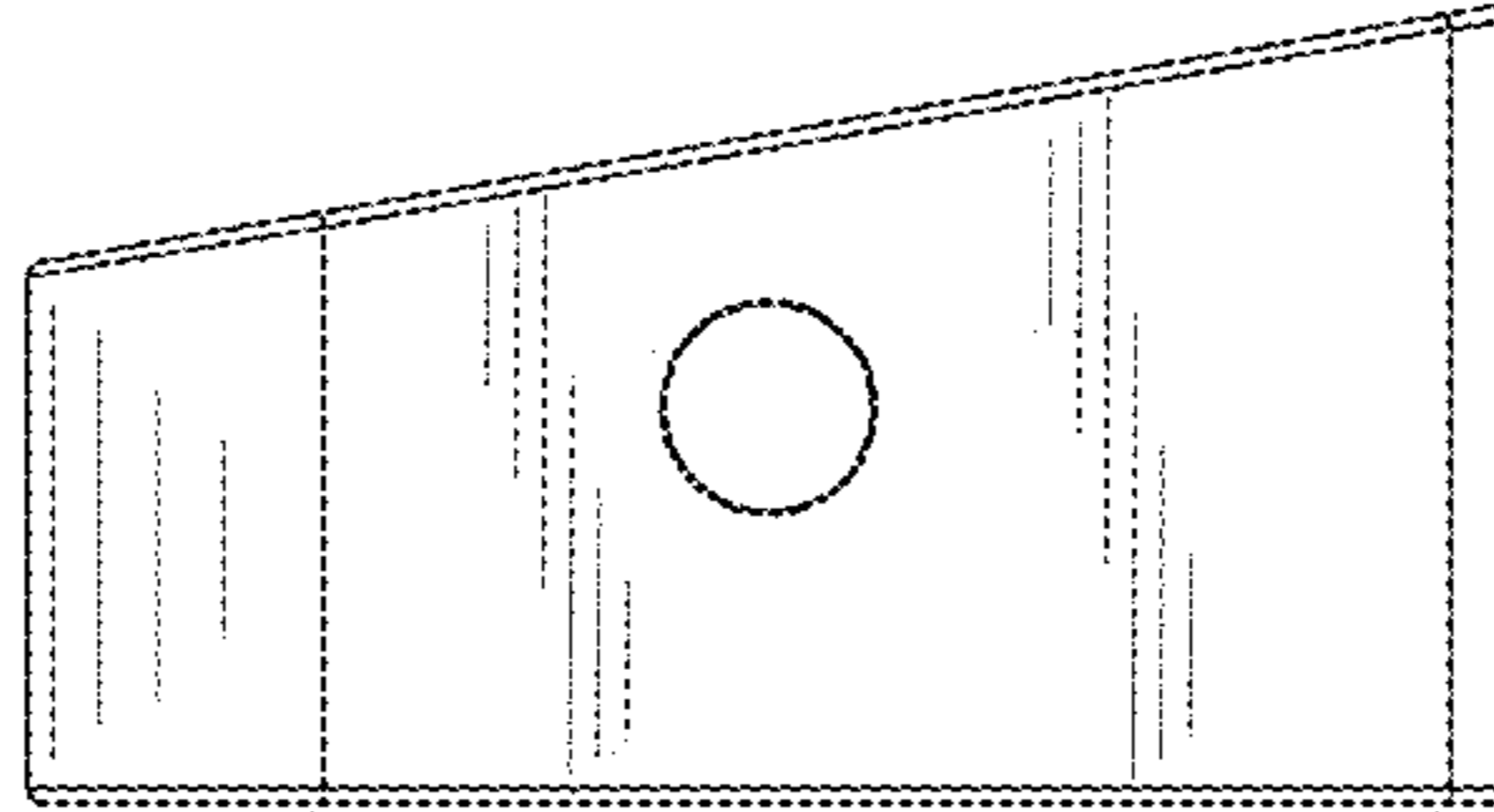


FIG. 7

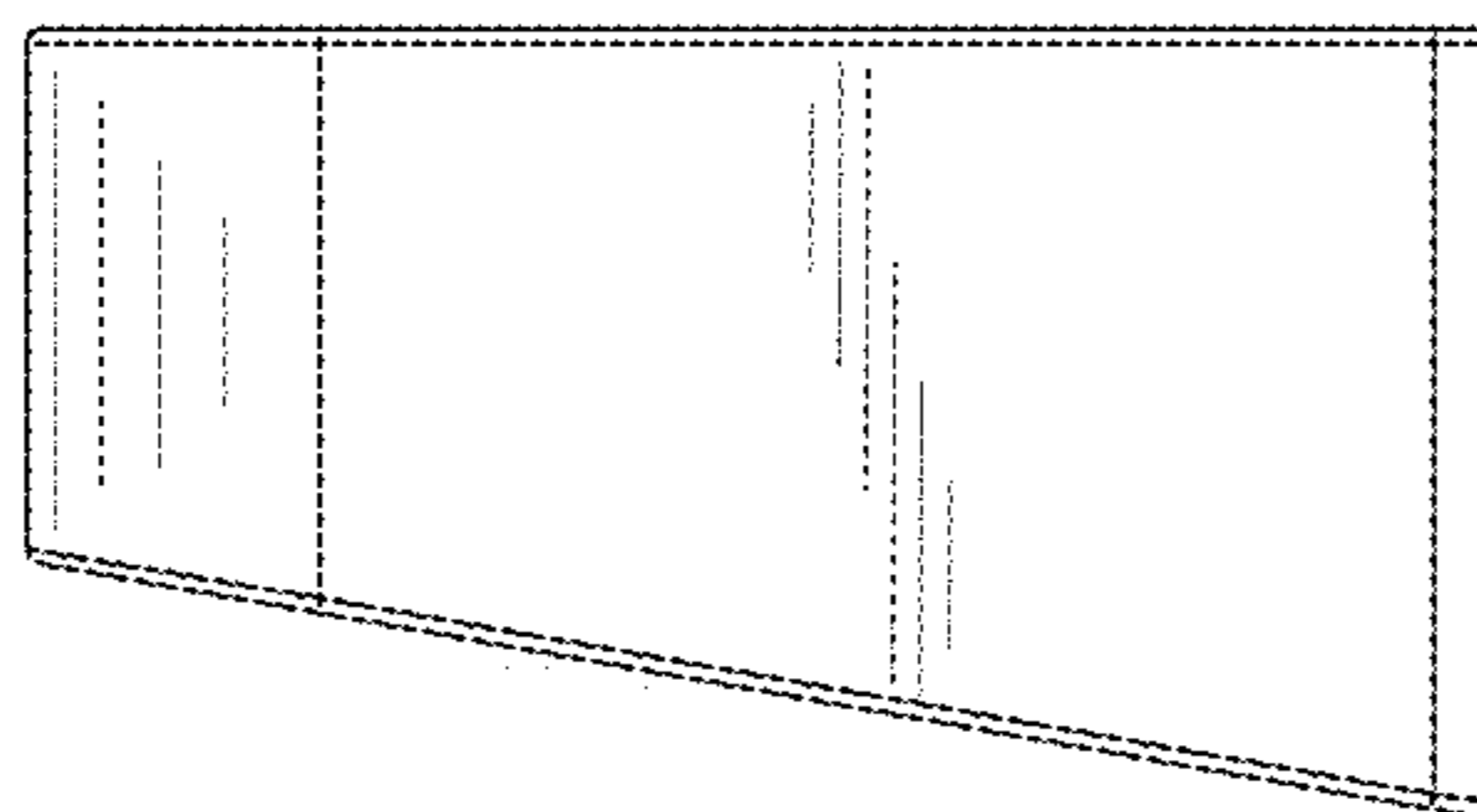


FIG. 8