



US00D907634S

(12) **United States Design Patent** (10) **Patent No.:** **US D907,634 S**
Bidwell et al. (45) **Date of Patent:** **** *Jan. 12, 2021**

(54) **OPTICAL SCANNER**

- (71) Applicant: **Hand Held Products, Inc.**, Fort Mill, SC (US)
- (72) Inventors: **Dean J. Bidwell**, Renton, WA (US); **David K. Memke**, Bainbridge Island, WA (US); **Michael James Wells**, Lake Forest Park, WA (US); **Tim Zurmohle**, Seattle, WA (US); **William Herweh, III**, Seattle, WA (US); **Churu Yun**, Seattle, WA (US); **Mark Oberpriller**, Peachtree Corners, GA (US); **Matthew McElvogue**, Seattle, WA (US); **Rajat Shail**, Chicago, IL (US); **John S. Bandringa**, Everett, WA (US); **Roger Jackson**, Lake Forest Park, WA (US)
- (73) Assignee: **HAND HELD PRODUCTS, INC.**, Fort Mill, SC (US)
- (*) Notice: This patent is subject to a terminal disclaimer.
- (**) Term: **15 Years**
- (21) Appl. No.: **29/663,671**
- (22) Filed: **Sep. 18, 2018**

Related U.S. Application Data

- (63) Continuation of application No. 29/572,907, filed on Aug. 1, 2016, now Pat. No. Des. 829,212.
- (51) **LOC (13) Cl.** **14-02**
- (52) **U.S. Cl.**
USPC **D14/426; D14/453**
- (58) **Field of Classification Search**
USPC D14/420, 426-430, 453, 346, 341, 347, D14/412, 138; D13/107, 184; 358/473;
(Continued)

(56) **References Cited**

U.S. PATENT DOCUMENTS

- D449,995 S 11/2001 Christianson
- D495,335 S * 8/2004 Masamitsu D14/384
(Continued)

OTHER PUBLICATIONS

Bidwell et al. "Printer", Design U.S. Appl. No. 29/572,909, filed Aug. 1, 2016, 51 pages, [Not yet published/granted].
(Continued)

Primary Examiner — Susan Moon Lee
(74) *Attorney, Agent, or Firm* — Alston & Bird LLP

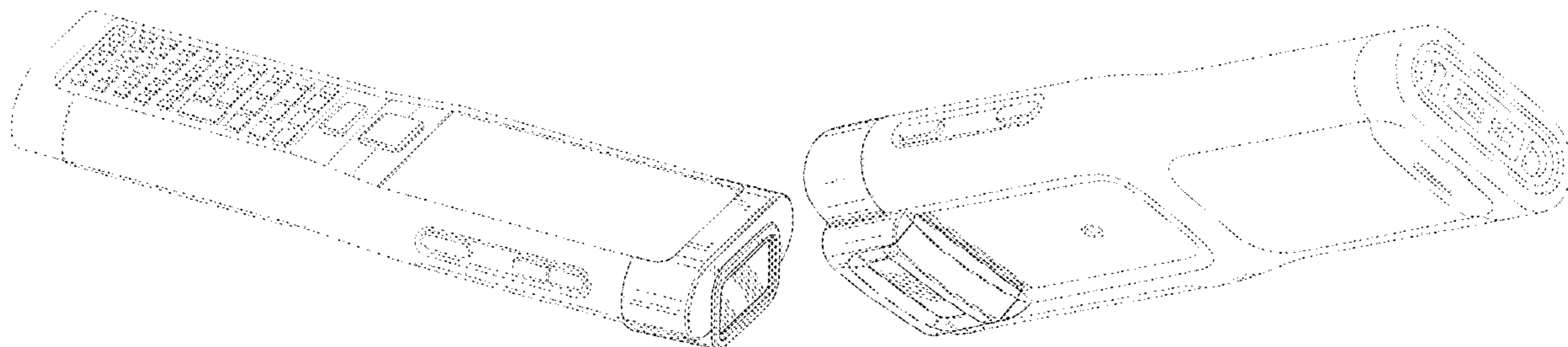
(57) **CLAIM**

The ornamental design for an optical scanner, as shown in the accompanying drawings and described above.

DESCRIPTION

FIG. 1 is a top front perspective view of an optical scanner in accordance with the present invention.
 FIG. 2 is a top rear perspective view of the optical scanner of FIG. 1.
 FIG. 3 is a bottom rear perspective view of the optical scanner of FIG. 1.
 FIG. 4 is a front elevation view of the optical scanner of FIG. 1.
 FIG. 5 is a rear elevation view of the optical scanner of FIG. 1.
 FIG. 6 is a right elevation view of the optical scanner of FIG. 1.
 FIG. 7 is a left elevation view of the optical scanner of FIG. 1.
 FIG. 8 is a top plan view of the optical scanner of FIG. 1; and,
 FIG. 9 is a bottom plan view of the optical scanner of FIG. 1.

(Continued)



The broken lines depict unclaimed features of the optical scanner, shown for purposes of illustration, and forming no part of the claimed design.

1 Claim, 7 Drawing Sheets

(58) Field of Classification Search

USPC 235/462.43, 462.45, 462.47, 462.48, 235/462.44, 462.46, 487, 472.01, 472.02, 235/145 A, 145 R; D10/78, 57, 2, 46, 52, D10/53, 81; 324/426; D3/273; 710/73; D18/7; 361/679, 728, 679.56; 382/313, 382/321; 455/575.1, 561, 572, 41.2; 345/156, 168, 169, 172, 173, 87; 705/17, 705/18, 22-25; D16/206, 218, 202, 219, D16/208, 209; 356/328; 396/419, 423, 396/424; 374/130, 100, 121, 102, 141, 374/124, 170, 104, 103; 702/130, 135; 348/164, 165, 149, 333.01, 333.11, 348/E5.043, E5.047, E5.09, 33, 82, 348/E5.028, 347, 373, 374, 375; 250/330, 351, 353, 332, 334, 358.1, 250/316.1, 338.1; 600/549, 474, 413, 600/473, 200, 184

CPC G06F 1/626; G06F 1/1626; G06F 1/1656; G06F 1/1632; G06F 1/1684; G06F 1/1635; G06F 8/63; G06F 17/30091; G06F 9/4401; G06K 7/10881; G06K 7/1098; G06K 7/10722; G06K 7/1404; G06K 7/0004; G06K 7/10633; G06K 7/10851; G06K 7/1091; G06K 7/1092; G06K 7/1093; G06K 7/10; G06K 7/109; G06K 7/1417; G06K 9/228; G06K 17/0022; G06K 17/00; G06K 2207/1011; G06K 2207/1013; G06K 2207/1016; G06K 2207/1018; G06K 2017/0051; G06K 2017/0067; G06K 2007/10524; G07G 1/0081; G07G 1/009; G06Q 20/20; G06Q 20/201; G06Q 20/202; G06Q 20/203; G06Q 20/30; G06Q 20/32; G06Q 20/322; G06Q 20/4014; G06Q 10/087; H04N 1/00127; H04N 1/00135; H04N 1/00326; H04N 1/00334; H04N 1/00307; H04N 1/107; H04N 2201/0084; H04N 2101/00; H04N 5/332; H04N 5/33; H04N 5/2251; H04N 5/2258; H04N 5/2256; H04N 5/23293; H04N 5/23203; H04N 5/2254; H04N 5/2252; H04N 5/2253; H04N 5/23229; H04N 5/3651; H04M 1/0249; H04M 1/0262; H04M 1/0266; H04M 1/18; H04M 1/23; H04M 1/236; H04B 1/3827; H04B 1/3833; H04B 1/3877; H04B 1/3883; H04B 1/3888; H04B 2001/3894; H01M 2/1066; G01J 5/025; G01J 5/0265; G01J 5/026; G01J 5/027; G01J 5/02; G01J 5/06; G01J 5/08; G01J 5/04; G01J 5/12; G01J 5/00; G01J 5/18; G01J 5/0834; G01J 5/522; G01J

5/0806; G01J 5/028; G01J 2005/0077; G01J 2005/0081; G02B 7/08; G02B 7/04; G01K 1/02; G01K 3/04; G03B 17/18; G03B 3/02; G03B 3/04; G03B 3/10

See application file for complete search history.

(56)

References Cited

U.S. PATENT DOCUMENTS

6,988,664 B1 * 1/2006 Lee G06K 7/10881
235/462.45

D520,997 S 5/2006 Lee et al.

D535,993 S * 1/2007 Ueda D14/480.7

D558,775 S * 1/2008 Morris D14/453

D566,712 S * 4/2008 Ah D14/426

7,837,112 B2 * 11/2010 An G06K 7/10891
235/462.01

D634,227 S 3/2011 Marzynski et al.

D638,422 S * 5/2011 Reed D14/347

D661,209 S 6/2012 Janky et al.

D664,457 S 7/2012 Buchanan

D692,431 S * 10/2013 Arceta D14/427

D698,674 S * 2/2014 Mattsson D10/78

D705,684 S 5/2014 Takahashi et al.

D709,503 S * 7/2014 Chen D14/426

8,763,909 B2 7/2014 Reed et al.

D719,040 S 12/2014 Crowe et al.

D724,976 S 3/2015 Crowe et al.

D725,098 S 3/2015 Neumann

D726,185 S * 4/2015 Park D14/420

D738,242 S 9/2015 Crowe et al.

D740,144 S 10/2015 Lamer

D766,424 S 9/2016 Anderson et al.

D771,244 S 11/2016 Takemoto et al.

D771,631 S * 11/2016 Fitch D14/426

D773,946 S 12/2016 Hoofnagle et al.

9,664,708 B2 5/2017 Dorman et al.

D792,407 S * 7/2017 Fitch D14/426

D793,257 S 8/2017 Gao et al.

D805,932 S 12/2017 Koeniger et al.

D808,391 S * 1/2018 Schooneveldt D14/426

D815,066 S 4/2018 Bidwell et al.

D820,812 S 6/2018 Bidwell et al.

D829,212 S 9/2018 Bidwell et al.

D835,107 S * 12/2018 Memke D14/426

D859,411 S 9/2019 Bidwell et al.

2005/0194446 A1 * 9/2005 Wiklof G06K 7/0004
235/462.46

2008/0002024 A1 1/2008 Schweers

2008/0042657 A1 * 2/2008 Radle G01R 31/045
324/508

2009/0276115 A1 * 11/2009 Chen G07C 5/008
701/29.6

OTHER PUBLICATIONS

Bidwell et al. "Optical Scanner", Design U.S. Appl. No. 29/572,904, filed Aug. 1, 2016, 84 pages, [Not yet published/granted].

Memke et al. "Optical Scanner", Design U.S. Appl. No. 29/572,896, filed Aug. 1, 2016, 57 pages, [Not yet published/granted].

Memke et al. "Optical Scanner", Design U.S. Appl. No. 29/572,898, filed Aug. 1, 2016, 57 pages, [Not yet published/granted].

Memke et al. "Optical Scanner and Base", Design U.S. Appl. No. 29/572,902, filed Aug. 1, 2016, 57 pages, [Not yet published/granted].

Notice of Allowance for U.S. Appl. No. 29/572,907, dated May 25, 2018, 9 pages.

* cited by examiner

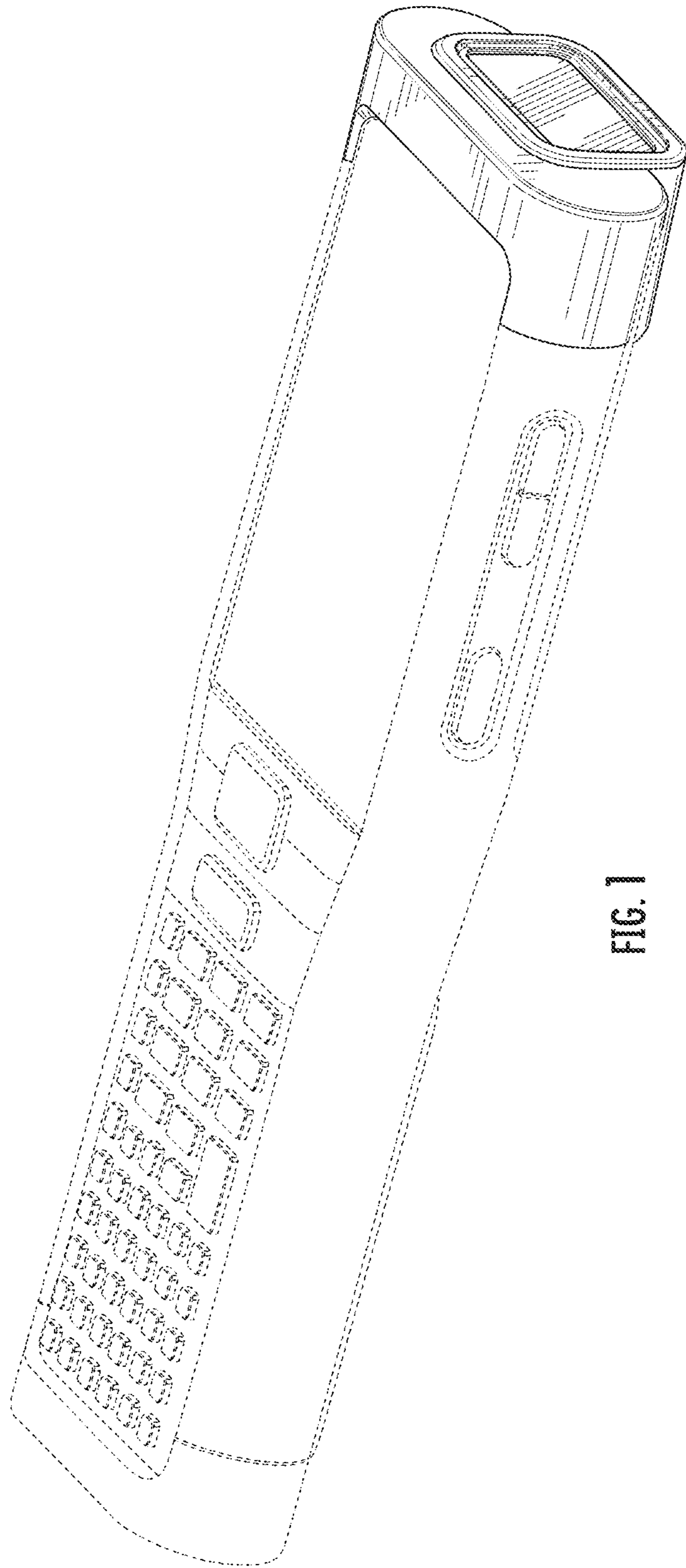


FIG. 1

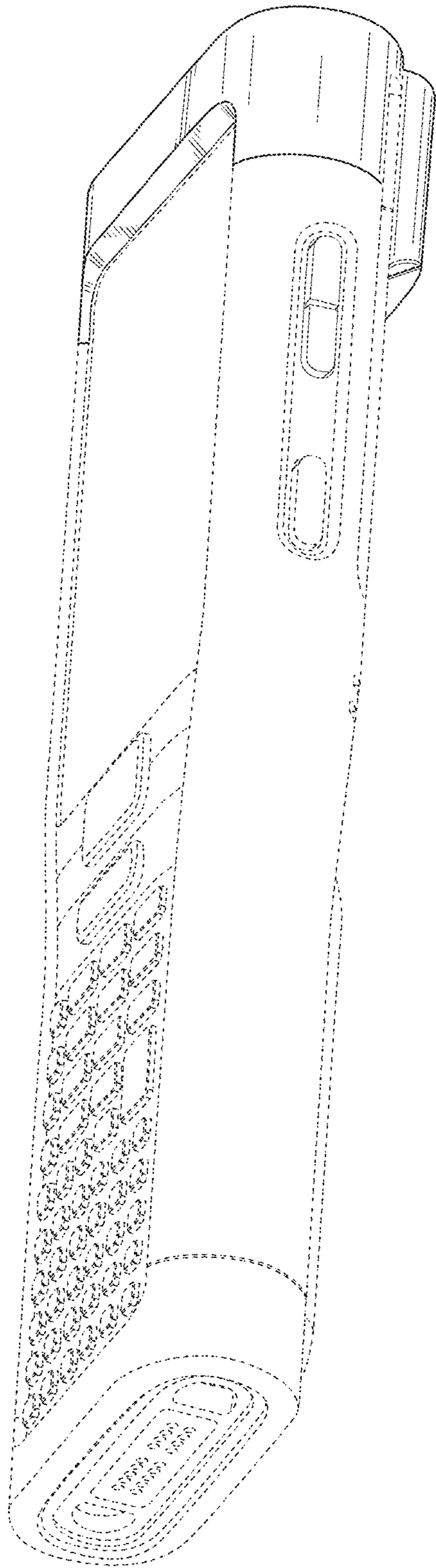


FIG. 2

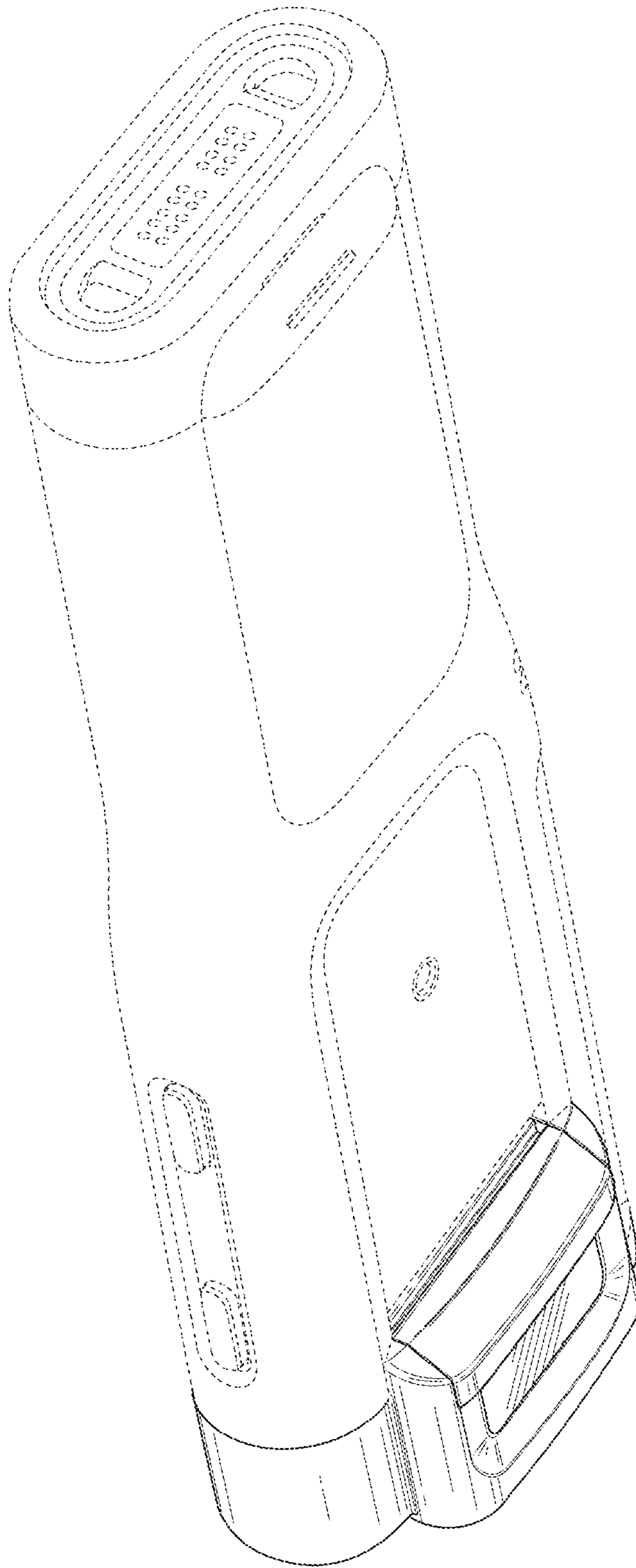


FIG. 3

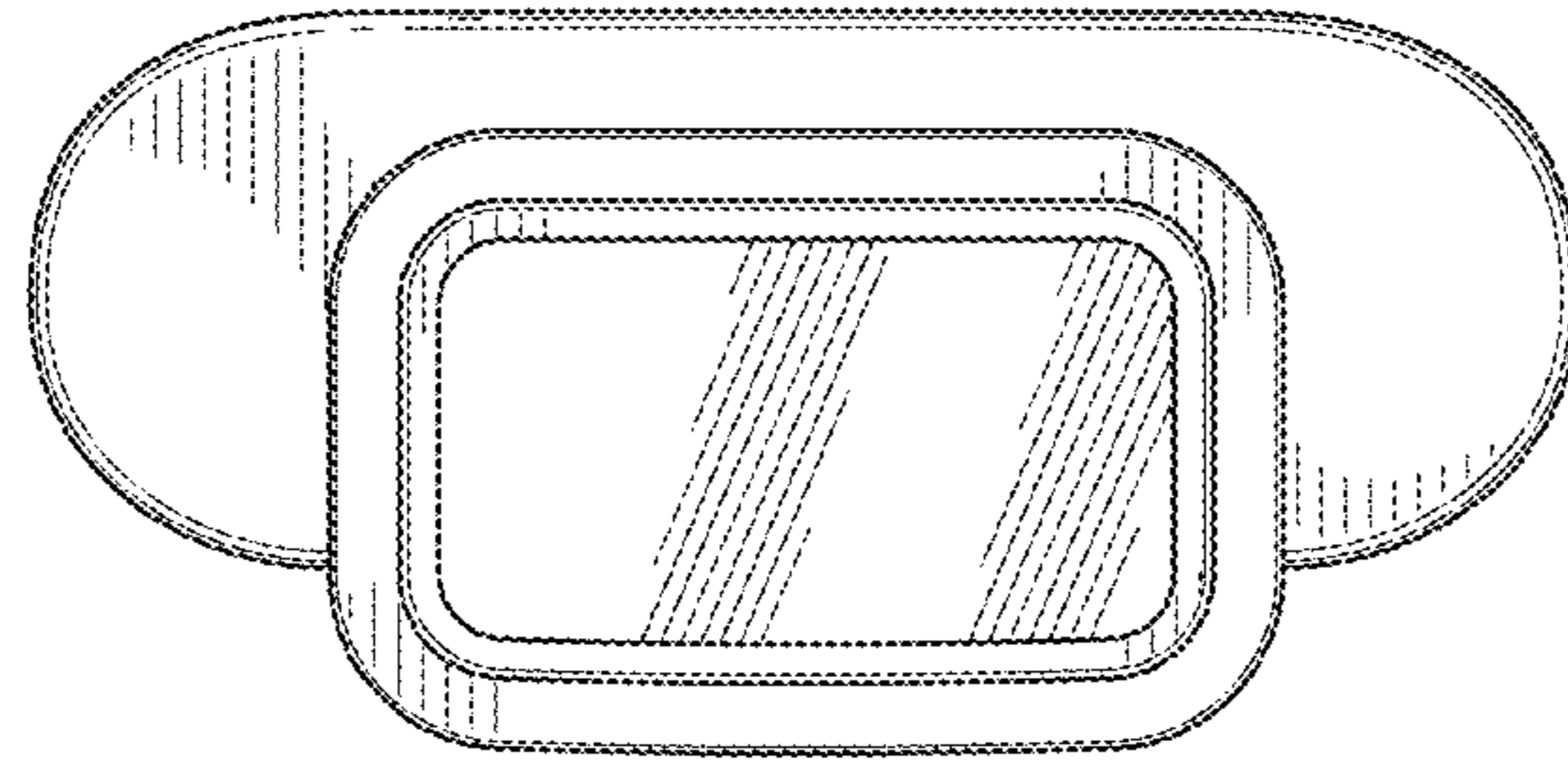


FIG. 4

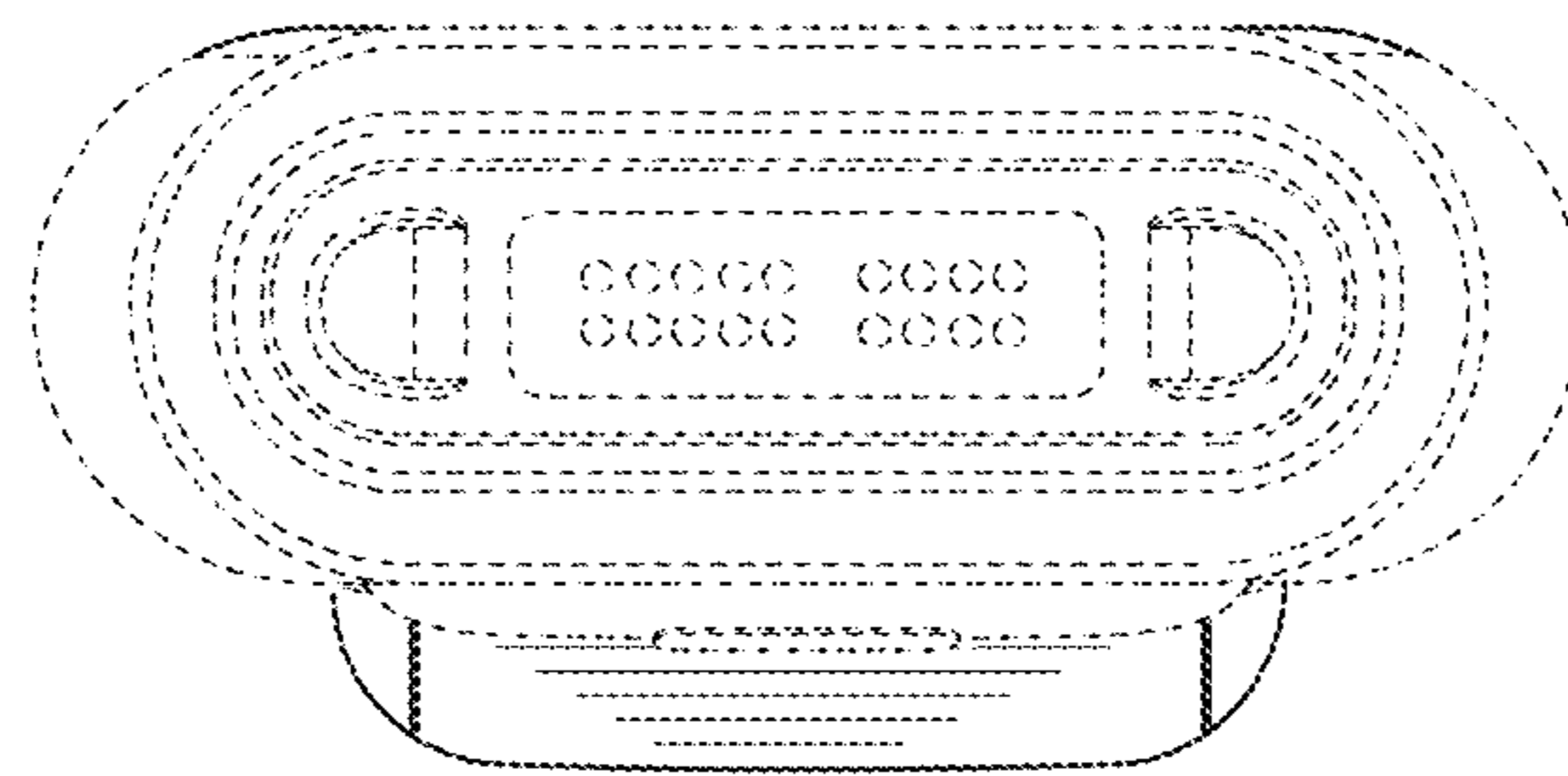


FIG. 5

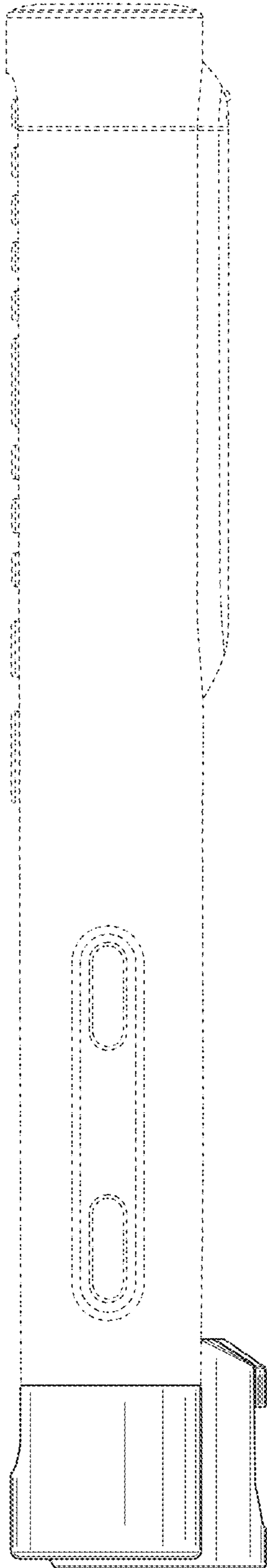


FIG. 6

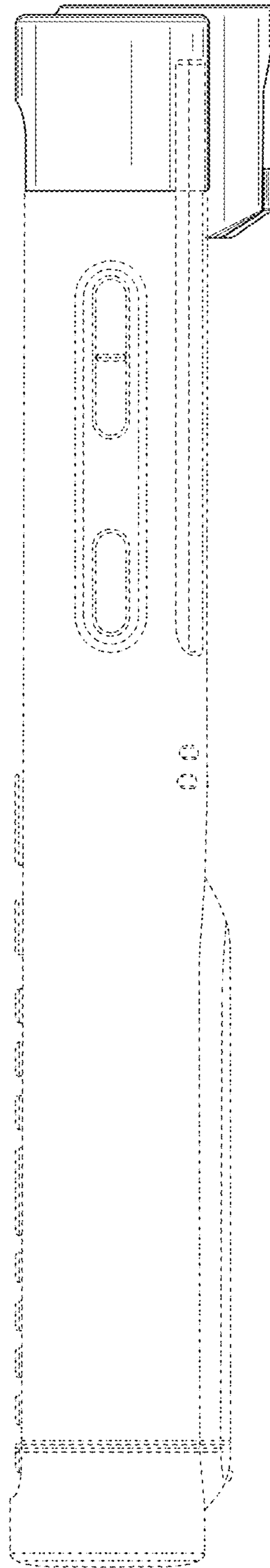


FIG. 7

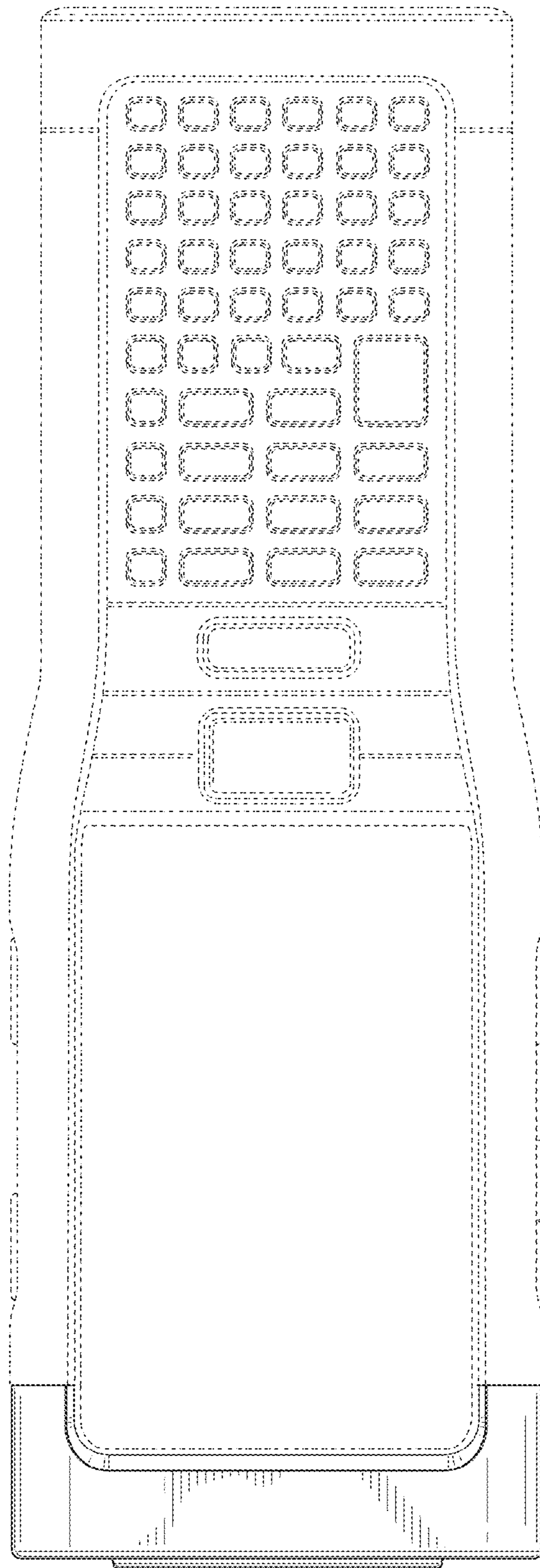


FIG. 8

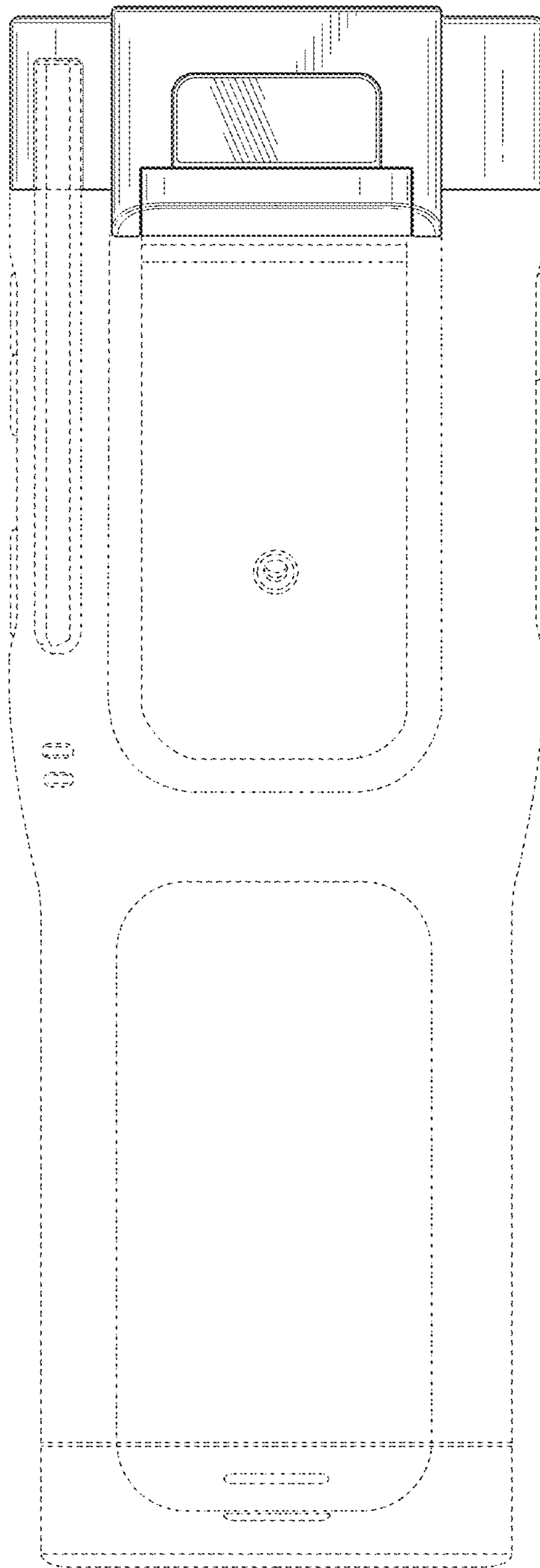


FIG. 9