



US00D907633S

(12) **United States Design Patent**
Li et al.

(10) **Patent No.:** **US D907,633 S**
(45) **Date of Patent:** **** Jan. 12, 2021**

(54) **USER INTERFACE MODULE WITH MOUNTING BASE**

D705,223 S 5/2014 Akana et al.
D720,633 S 1/2015 Novotny et al.
D758,365 S * 6/2016 Shimano D14/358
D762,842 S 8/2016 Kokeny et al.

(71) Applicant: **Honeywell International Inc.**, Morris Plains, NJ (US)

(Continued)

(72) Inventors: **Haitao Li**, Beijing (CN); **Ke Zhang**, Beijing (CN); **FoongYeen Chan**, Petaling Jaya (MY)

OTHER PUBLICATIONS

JACE 8000 Controller; before Jan. 1, 2017; 6 pgs.; https://www.google.com/search?q=Honeywell+International+building+controller+before%3A2017-01-01&tbm=isch&ved=2ahUKEwj70K6EsZDoAhWJBN8KHbFPB1sQ2-cCegQIABAA&oq=Honeywell+International+building+controller+before%3A2017-01-01&gs_l=img.3...378229.396120..397891...6.*

(73) Assignee: **Honeywell International Inc.**, Charlotte (SC)

(Continued)

(**) Term: **15 Years**

Primary Examiner — Selina Sikder

(21) Appl. No.: **29/662,118**

(74) Attorney, Agent, or Firm — Seager Tufte & Wickhem LLP

(22) Filed: **Sep. 1, 2018**

(51) **LOC (13) Cl.** **14-02**

(52) **U.S. Cl.**

USPC **D14/358**; D13/162.1

(58) **Field of Classification Search**

USPC D13/162, 162.1, 184; D10/49, 50; D14/240, 358

CPC G06F 1/181; G05B 11/01; G05B 15/02; G08C 17/00; G08C 17/02; H01Q 1/007; H04W 88/005; H04W 88/02; H04W 88/08; H04W 88/085; H04W 88/10; H04W 88/12; H04W 88/14; H04W 88/16; G11B 33/08; G11B 33/126; G11B 33/128; H02J 7/0042; H02J 7/0044; H02J 7/0068

See application file for complete search history.

(57) **CLAIM**

The ornamental design for a user interface module with mounting base, as shown and described.

DESCRIPTION

FIG. 1 is a perspective view of a user interface module and mounting base for a building control system; FIG. 2 is a front side view of the user interface module and mounting base of FIG. 1; FIG. 3 is a left side view of the user interface module and mounting base of FIG. 1; FIG. 4 is a right side view of the user interface module and mounting base of FIG. 1; FIG. 5 is a top side view of the user interface module and mounting base of FIG. 1; and, FIG. 6 is a bottom side view of the user interface module and mounting base of FIG. 1.

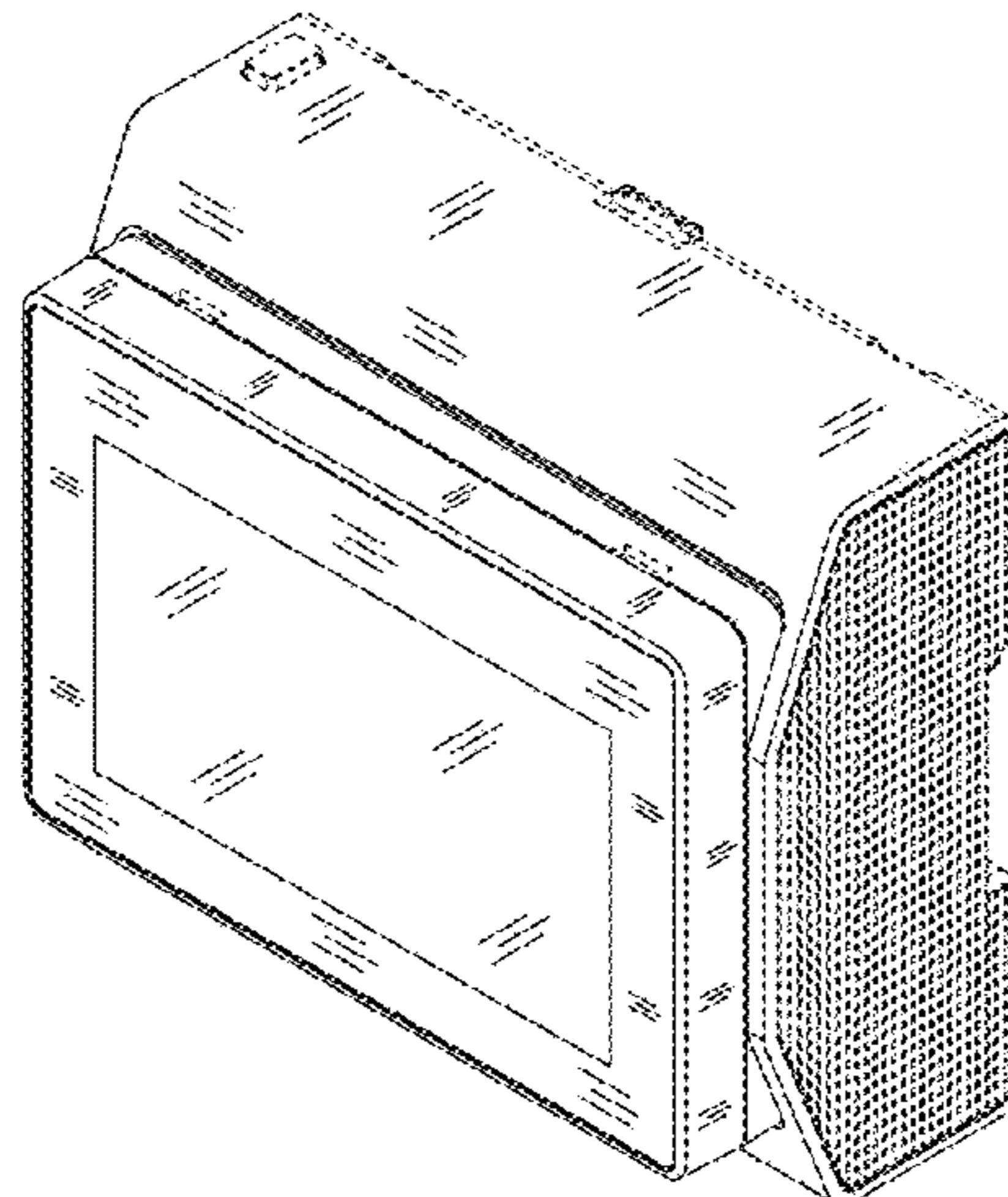
In the drawings, the claimed design is defined by the shaded surfaces; broken lines immediately adjacent shaded surfaces represent boundaries of the claim and form no part thereof;

(Continued)

(56) **References Cited**

U.S. PATENT DOCUMENTS

D400,180 S * 10/1998 Shimizu D13/162.1
D578,029 S 10/2008 Plewa
D596,963 S 7/2009 Novotny et al.
D596,964 S 7/2009 Wang et al.
D620,454 S * 7/2010 Lissola D13/164
D628,199 S 11/2010 Yukikado et al.
D659,652 S * 5/2012 Wong D13/162.1
D678,084 S 3/2013 Beland et al.



all other broken lines depict unclaimed environmental subject matter and form no part of the claim.

1 Claim, 6 Drawing Sheets

(56)

References Cited

U.S. PATENT DOCUMENTS

D768,585 S	*	10/2016	Moore	D13/184
D774,005 S		12/2016	Ye et al.		
D792,353 S	*	7/2017	Yoshida	D13/162
D793,967 S	*	8/2017	Leeland	D10/50
D815,606 S	*	4/2018	Nada	D13/162.1
D828,816 S		9/2018	Spors et al.		
D865,731 S	*	11/2019	Sun	D14/240
D873,269 S	*	1/2020	Hu	D14/358

OTHER PUBLICATIONS

“Building Controller-Google Search,” Google, 34 pages, accessed Dec. 28, 2018.

“Building Controller Honeywell—Google Search,” Google, 34 pages, accessed Dec. 28, 2018.

* cited by examiner

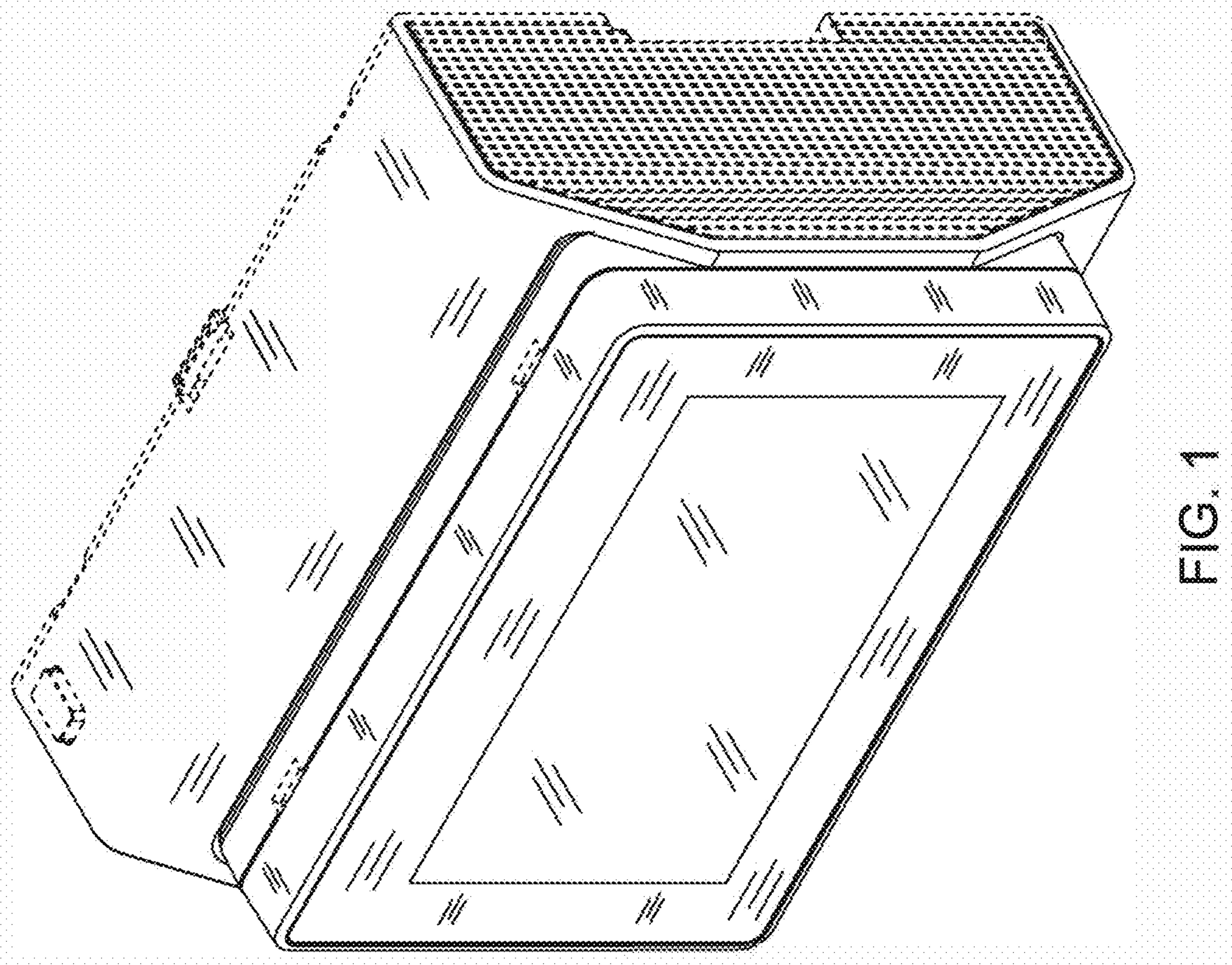


FIG. 1

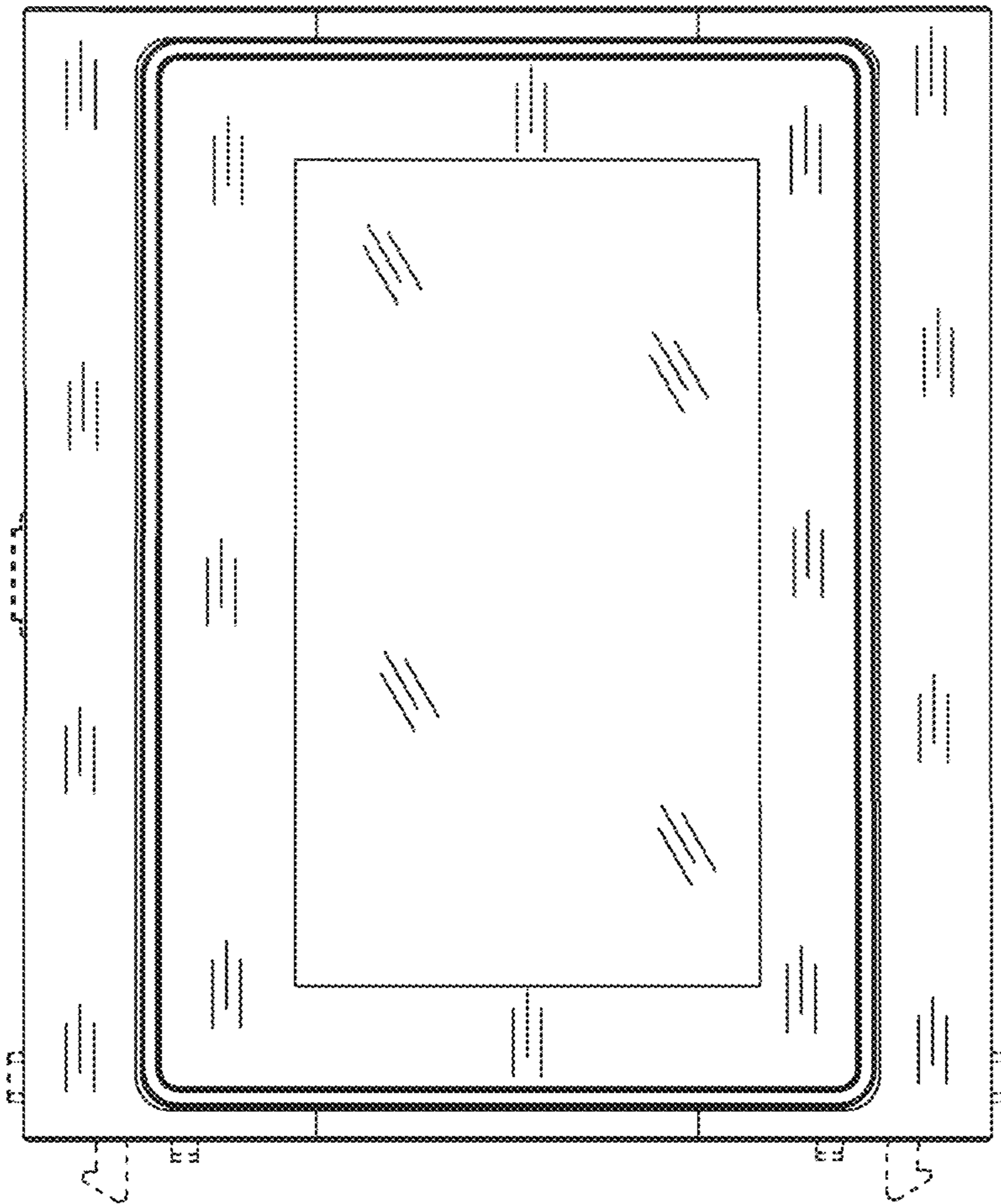


FIG. 2

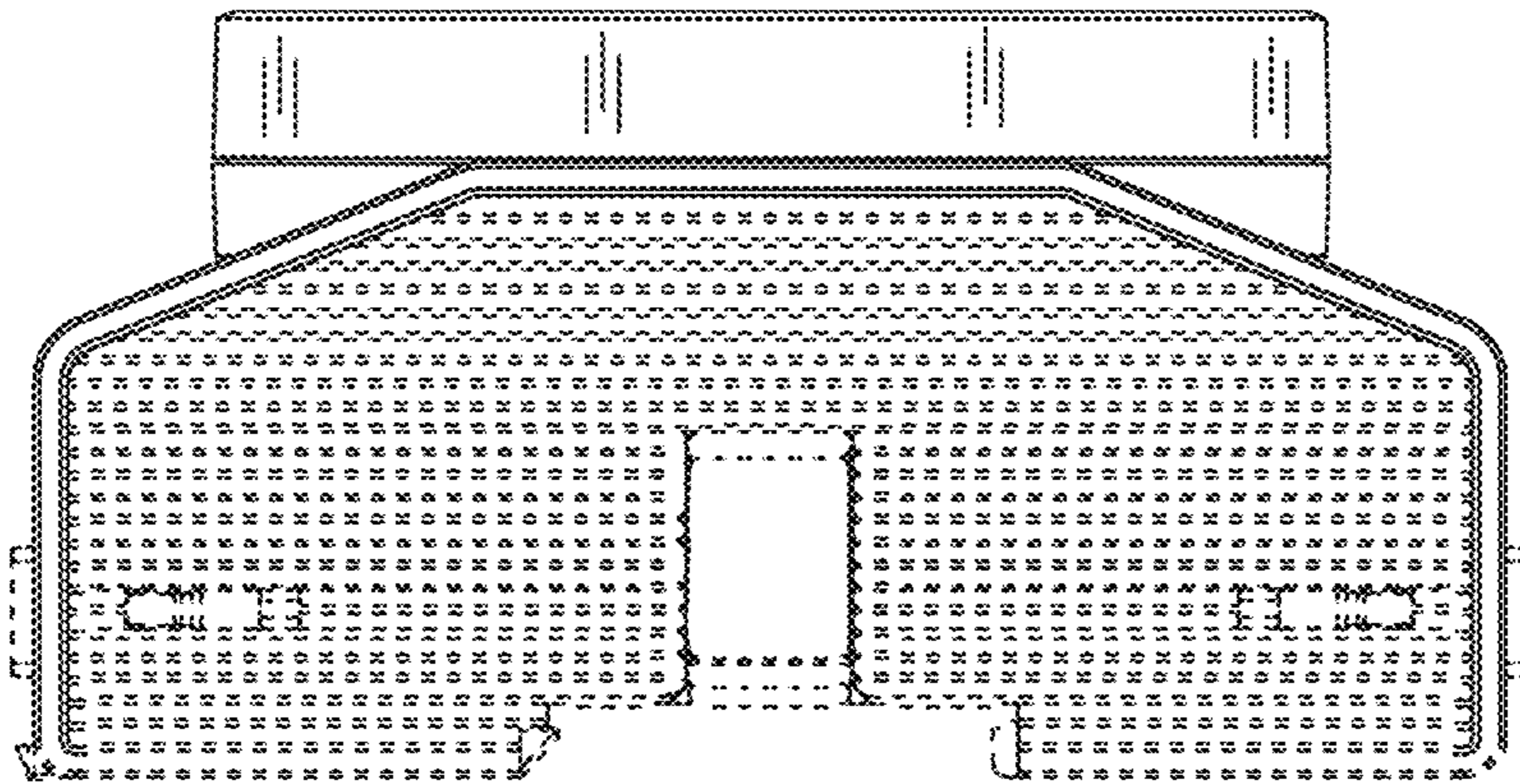


FIG. 3

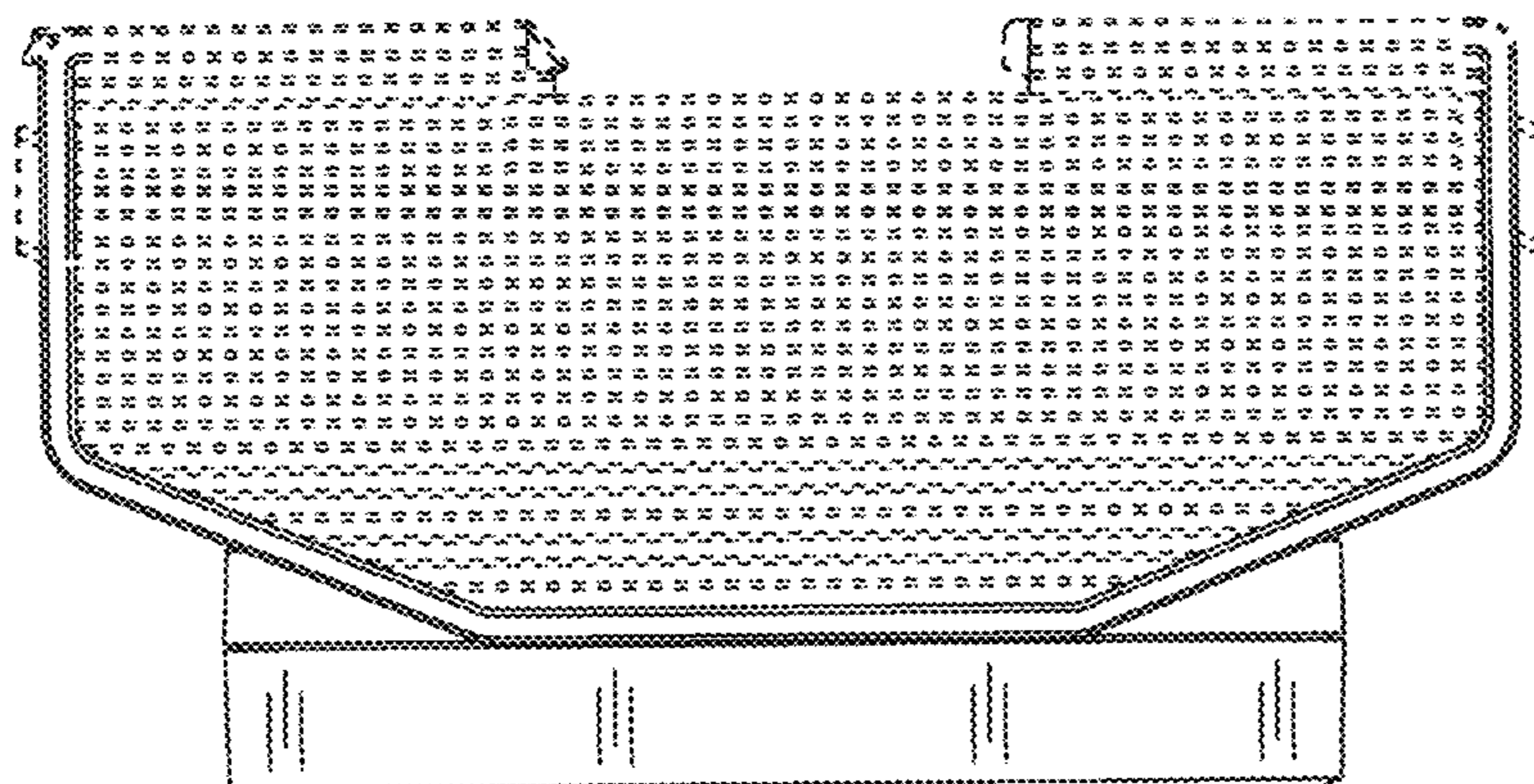


FIG. 4

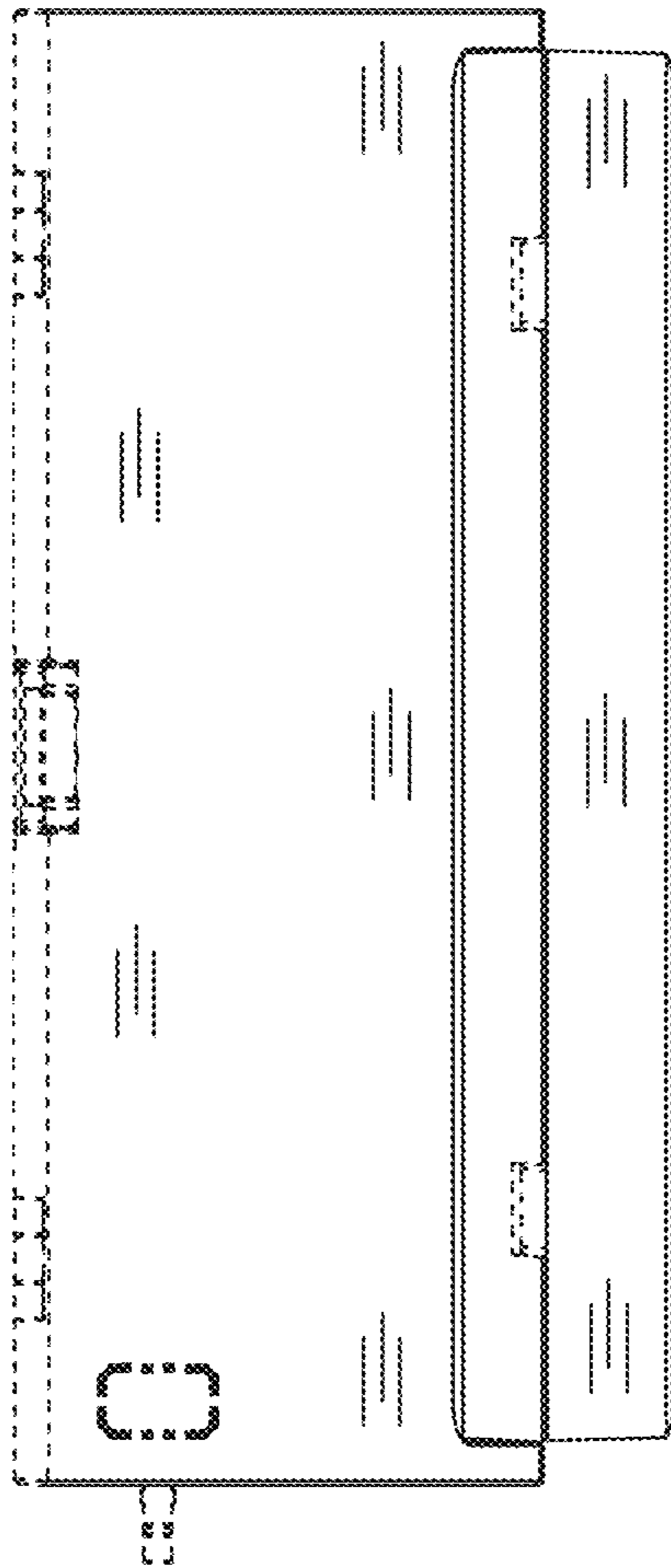


FIG. 5

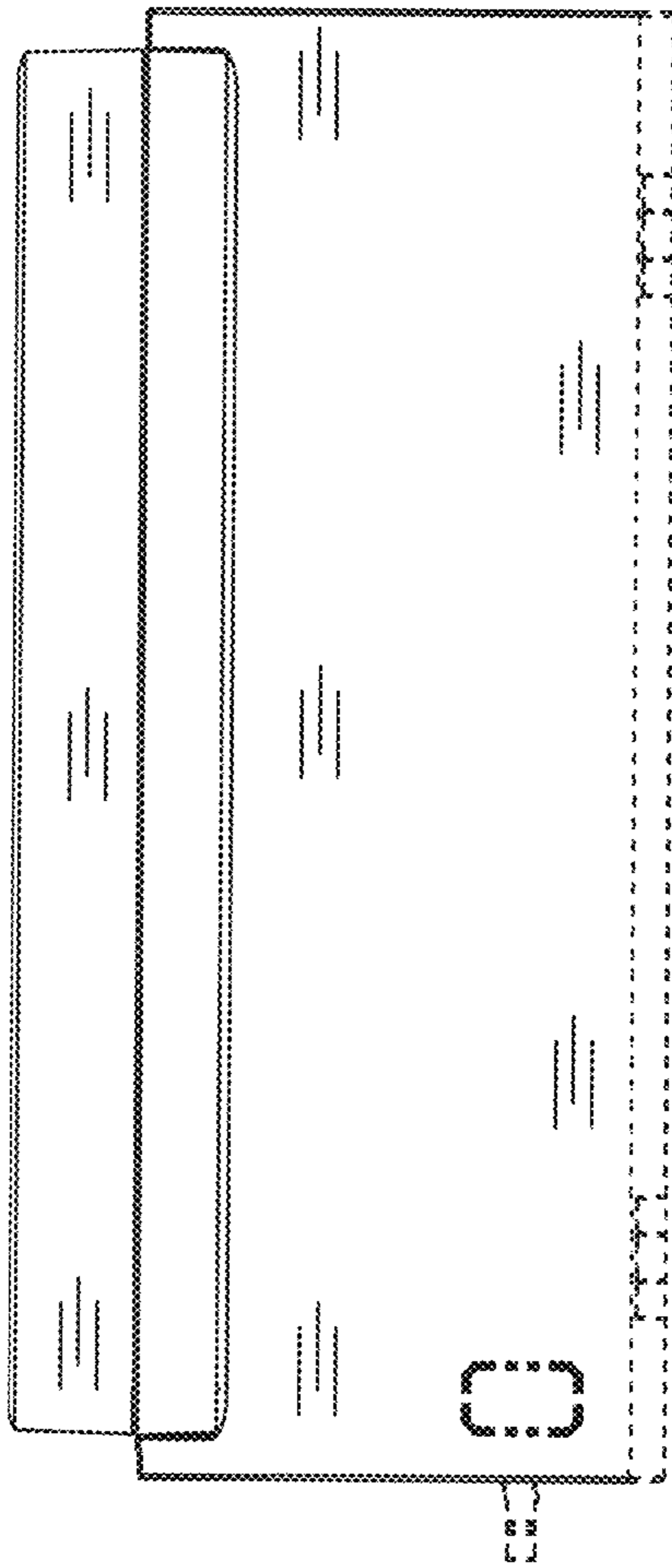


FIG. 6