



US00D907628S

(12) **United States Design Patent**
Feng

(10) **Patent No.:** **US D907,628 S**

(45) **Date of Patent:** **** Jan. 12, 2021**

(54) **PHONE HOLDER**

(71) Applicant: **Guangzhou Landscape Communication Equipment Co., Ltd.,**
Guangzhou (CN)

(72) Inventor: **Youqing Feng,** Guangzhou (CN)

(73) Assignee: **Guangzhou Landscape Communication Equipment Co., Ltd.,**
Guangzhou (CN)

(**) Term: **15 Years**

(21) Appl. No.: **29/749,179**

(22) Filed: **Sep. 3, 2020**

(51) **LOC (13) Cl.** **14-03**

(52) **U.S. Cl.**
USPC **D14/253**

(58) **Field of Classification Search**
USPC D14/251-253, 447, 440; D12/415;
D3/218; D8/349

CPC .. A47B 2023/049; B60R 11/02; F16M 11/00;
F16M 11/04; F16M 11/06; A45C
2001/002; A45F 2200/0516

See application file for complete search history.

(56) **References Cited**

U.S. PATENT DOCUMENTS

5,915,661	A	*	6/1999	Silverman	F16M 11/10 248/454
D533,558	S	*	12/2006	Elkhuizen	D14/447
D539,806	S	*	4/2007	Yu	D14/447
D610,587	S	*	2/2010	Bandringa	D14/447
D651,213	S	*	12/2011	Magness	D14/447
D679,280	S	*	4/2013	Lewis	D14/447
D681,714	S	*	5/2013	Lin	D16/229
D689,478	S	*	9/2013	Wikel	D14/253
D703,659	S	*	4/2014	Werth	D14/253
D703,676	S	*	4/2014	Smith	D14/447

D716,788	S	*	11/2014	Volkan	D14/252
D721,710	S	*	1/2015	Messing	D14/447
D723,536	S	*	3/2015	Werth	D14/253
D754,135	S	*	4/2016	Cromack	D14/447
9,308,767	B1	*	4/2016	Waldron	B42D 25/22
D756,367	S	*	5/2016	Kim	D14/447
D789,348	S	*	6/2017	Kim	D14/253
D825,573	S	*	8/2018	Belitz	D14/447
D829,216	S	*	9/2018	Belitz	D14/447
D829,725	S	*	10/2018	Luo	D14/447
D833,447	S	*	11/2018	Zhang	D14/447
D838,724	S	*	1/2019	Olander	F16M 11/38 D14/447
D839,869	S	*	2/2019	Wang	D14/253
D842,305	S	*	3/2019	Gao	D14/447
D863,291	S	*	10/2019	Shi	D14/253
D898,748	S	*	10/2020	Ma	D14/447
D903,688		*	12/2020	Hong	D14/447
D903,689		*	12/2020	Zheng	D14/447
2009/0179132	A1	*	7/2009	Qin	F16M 11/10 248/371

* cited by examiner

Primary Examiner — Janice Hallmark

(74) *Attorney, Agent, or Firm* — Zhihua Han

(57) **CLAIM**

The ornamental design for a phone holder, as shown and described.

DESCRIPTION

FIG. 1 is a front view of a phone holder showing my new design;

FIG. 2 is a rear view thereof;

FIG. 3 is a left side view thereof;

FIG. 4 is a right side view thereof;

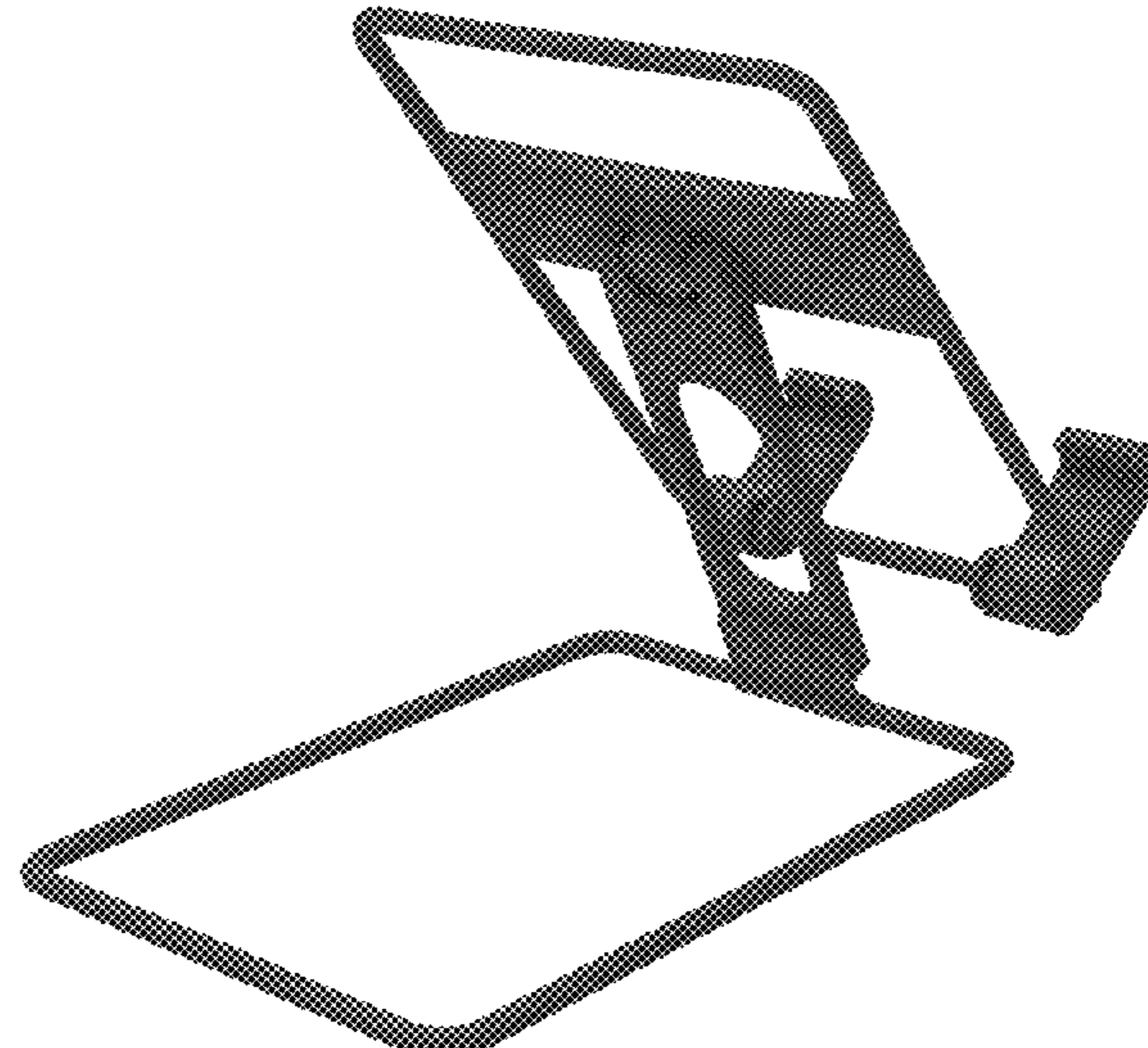
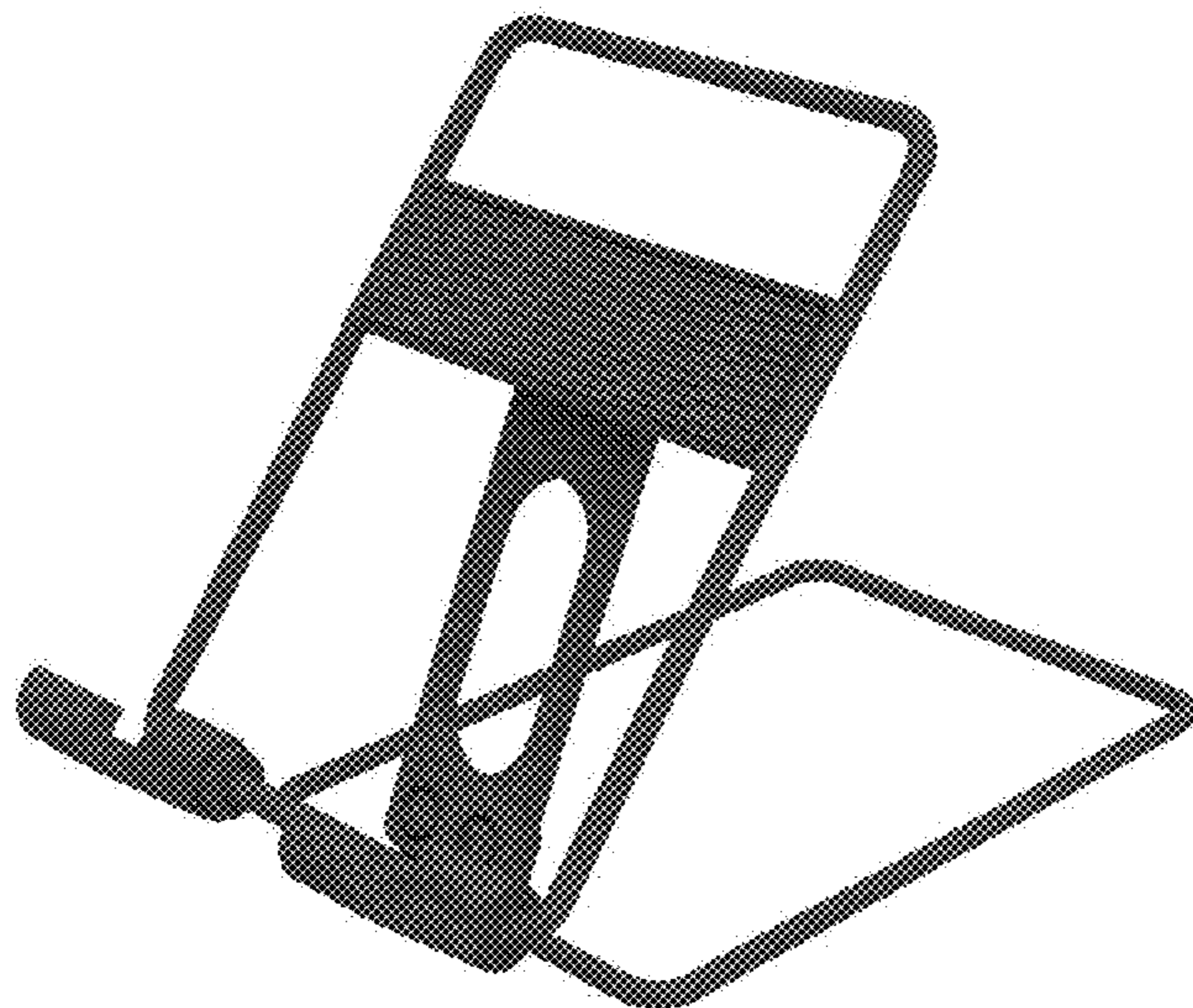
FIG. 5 is a top plan view thereof;

FIG. 6 is a bottom plan view thereof;

FIG. 7 is a perspective view thereof; and,

FIG. 8 is another perspective photographic view thereof.

1 Claim, 8 Drawing Sheets



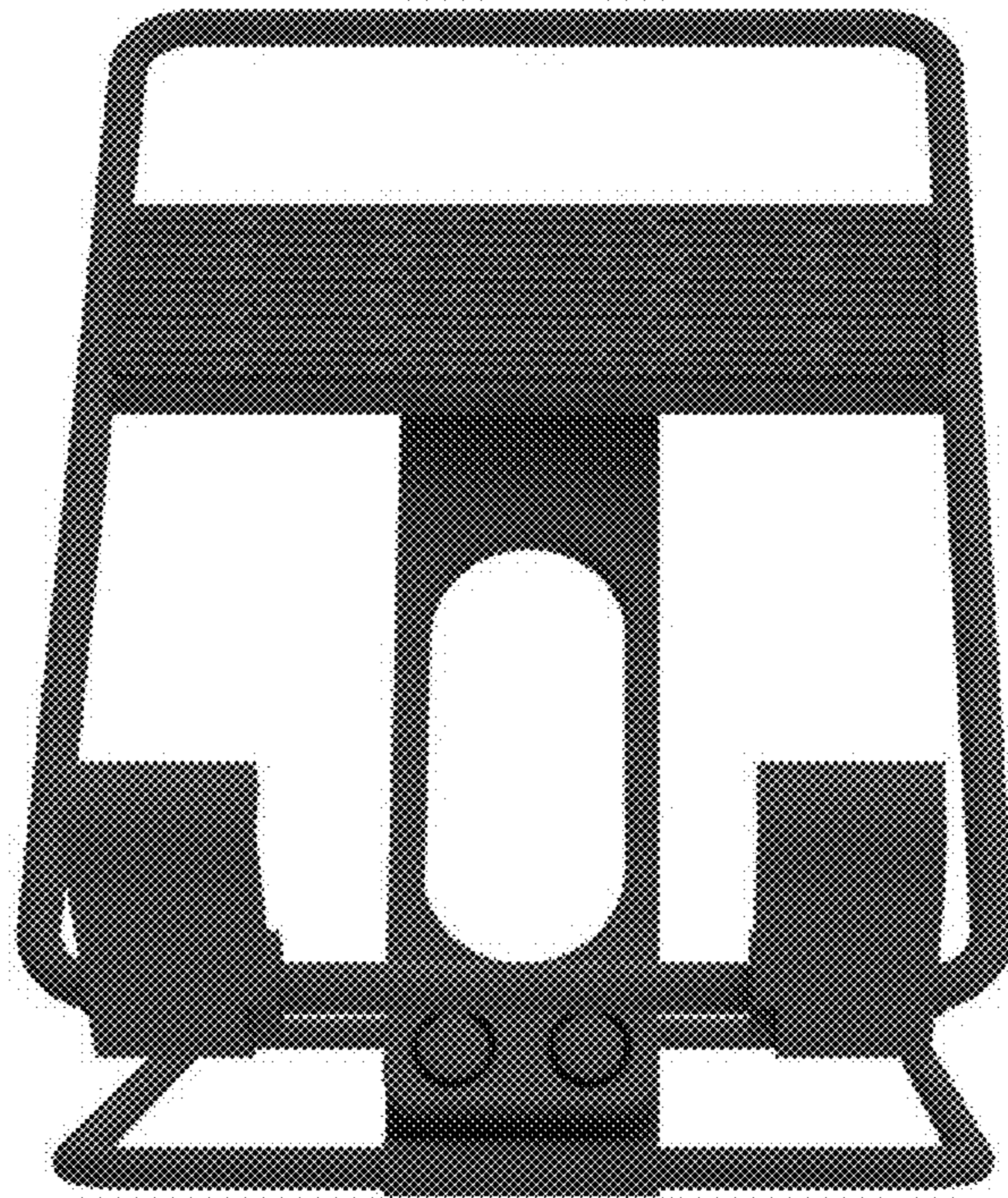


FIG. 1

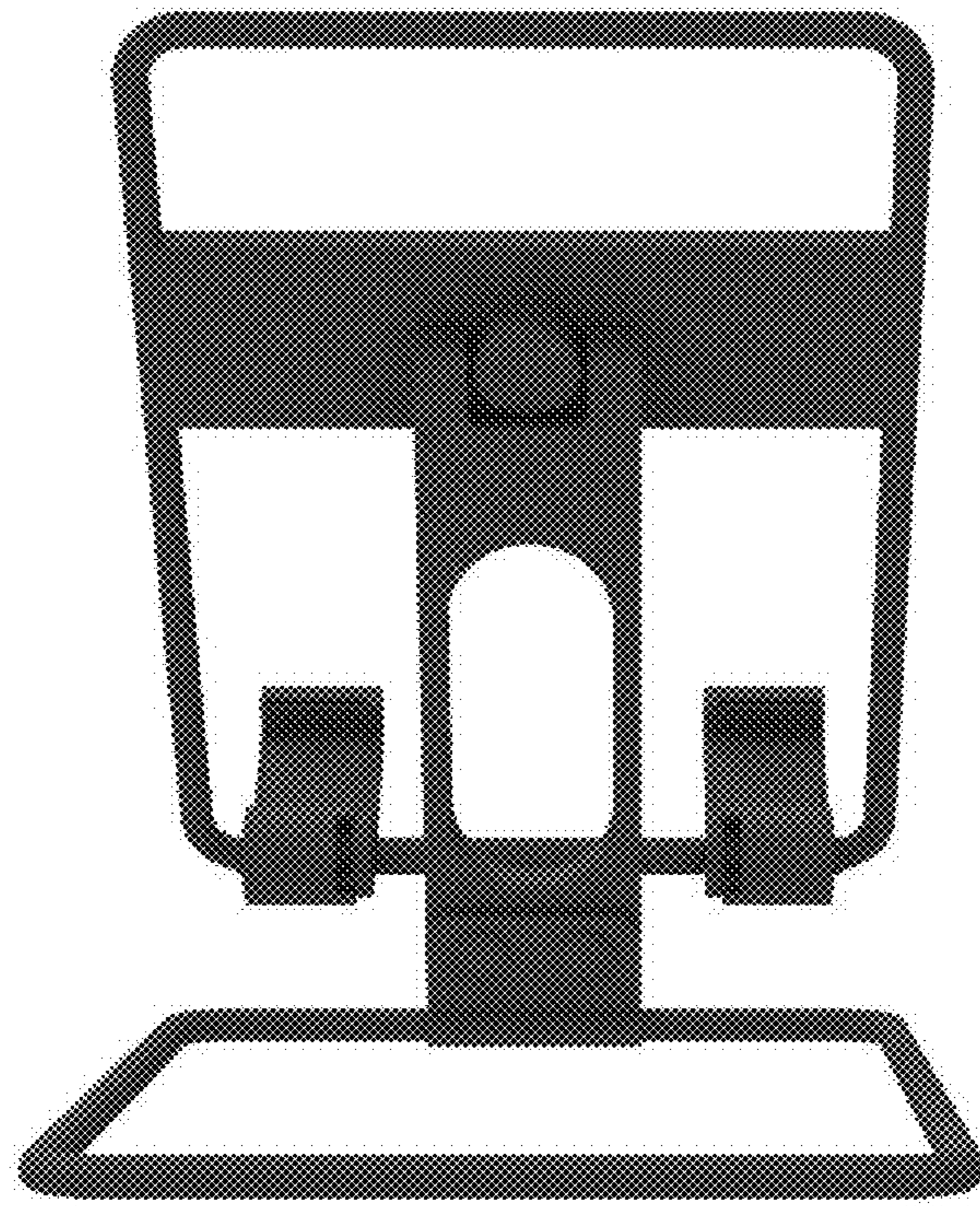


FIG. 2

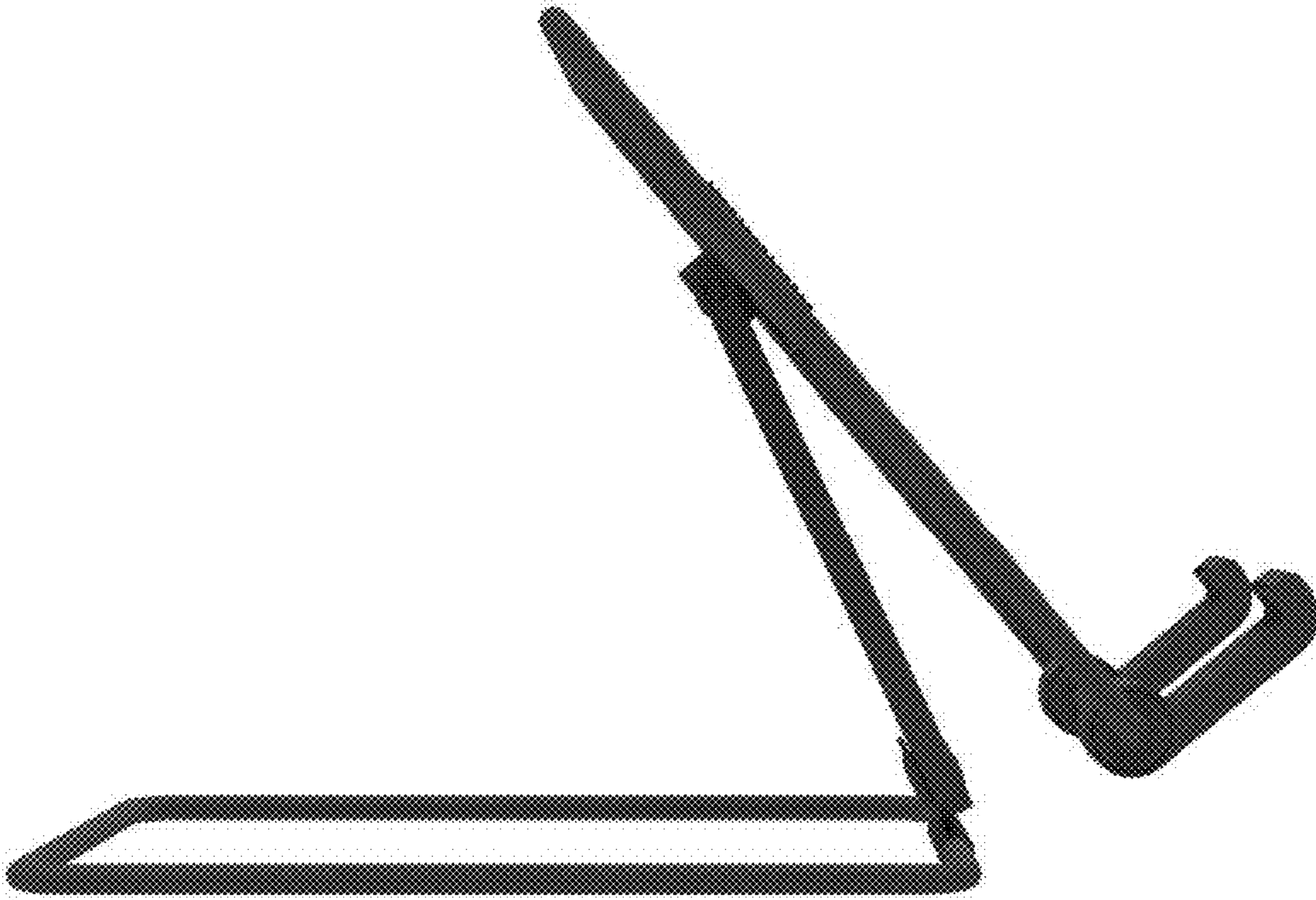


FIG. 3

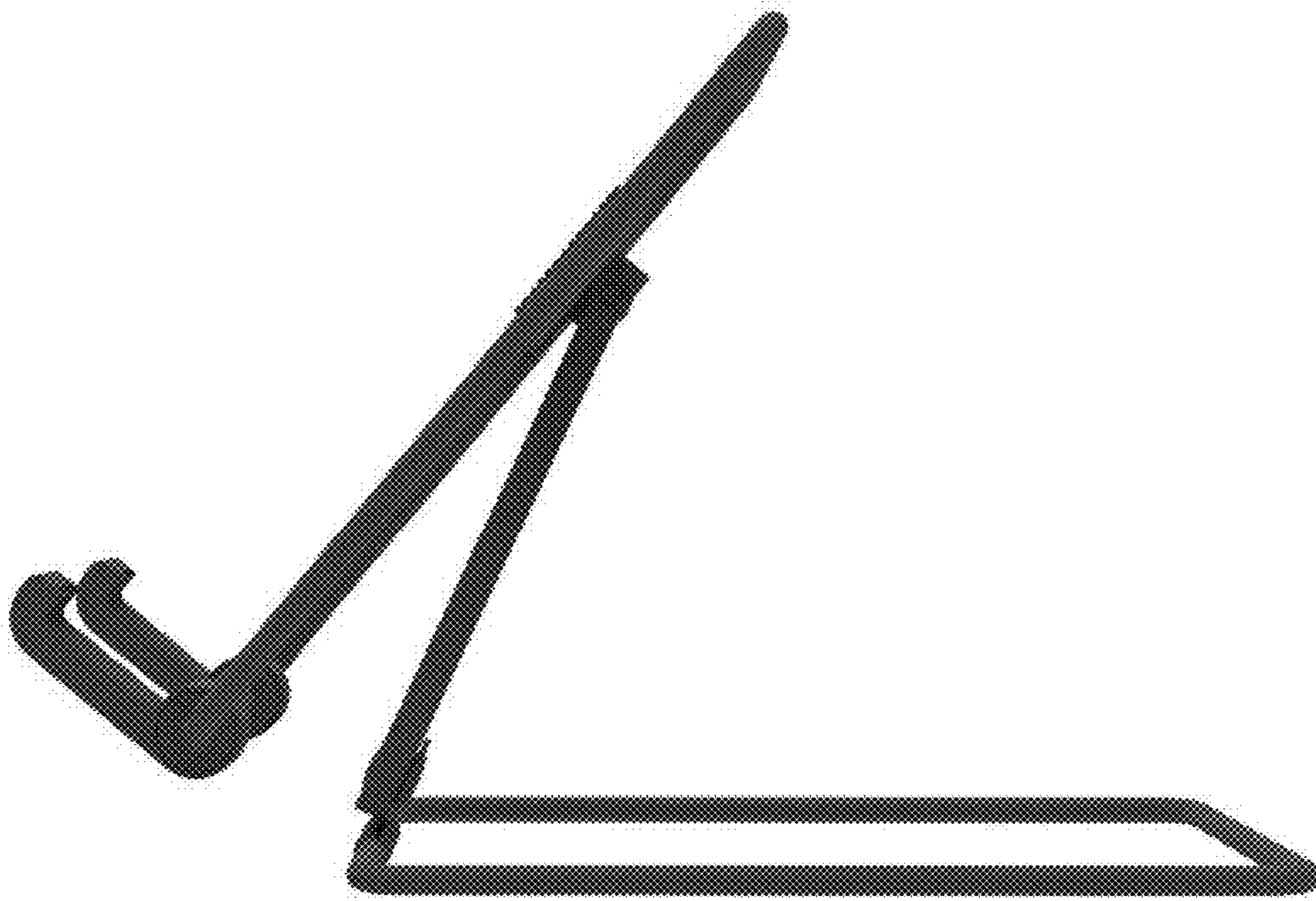


FIG. 4

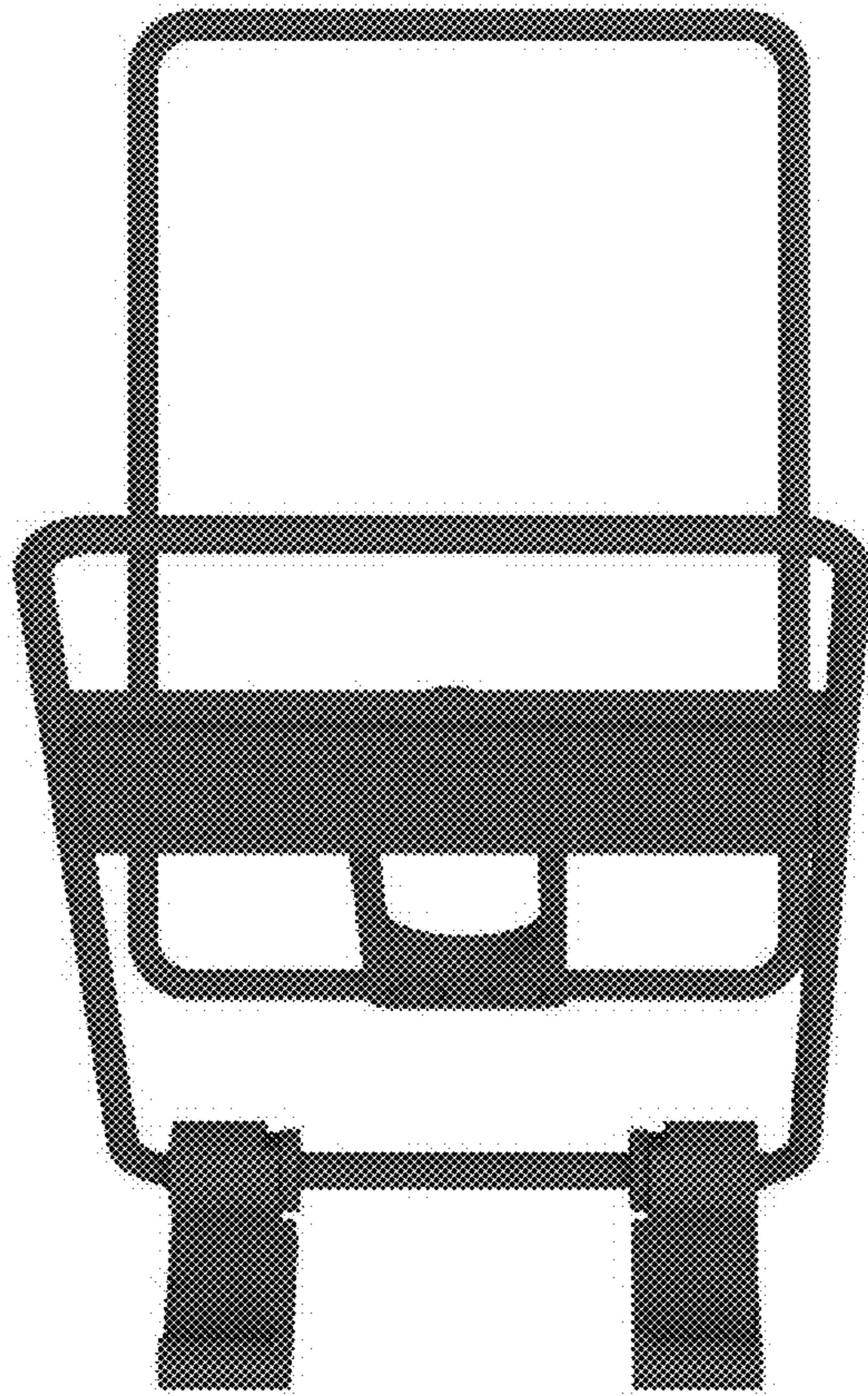


FIG. 5

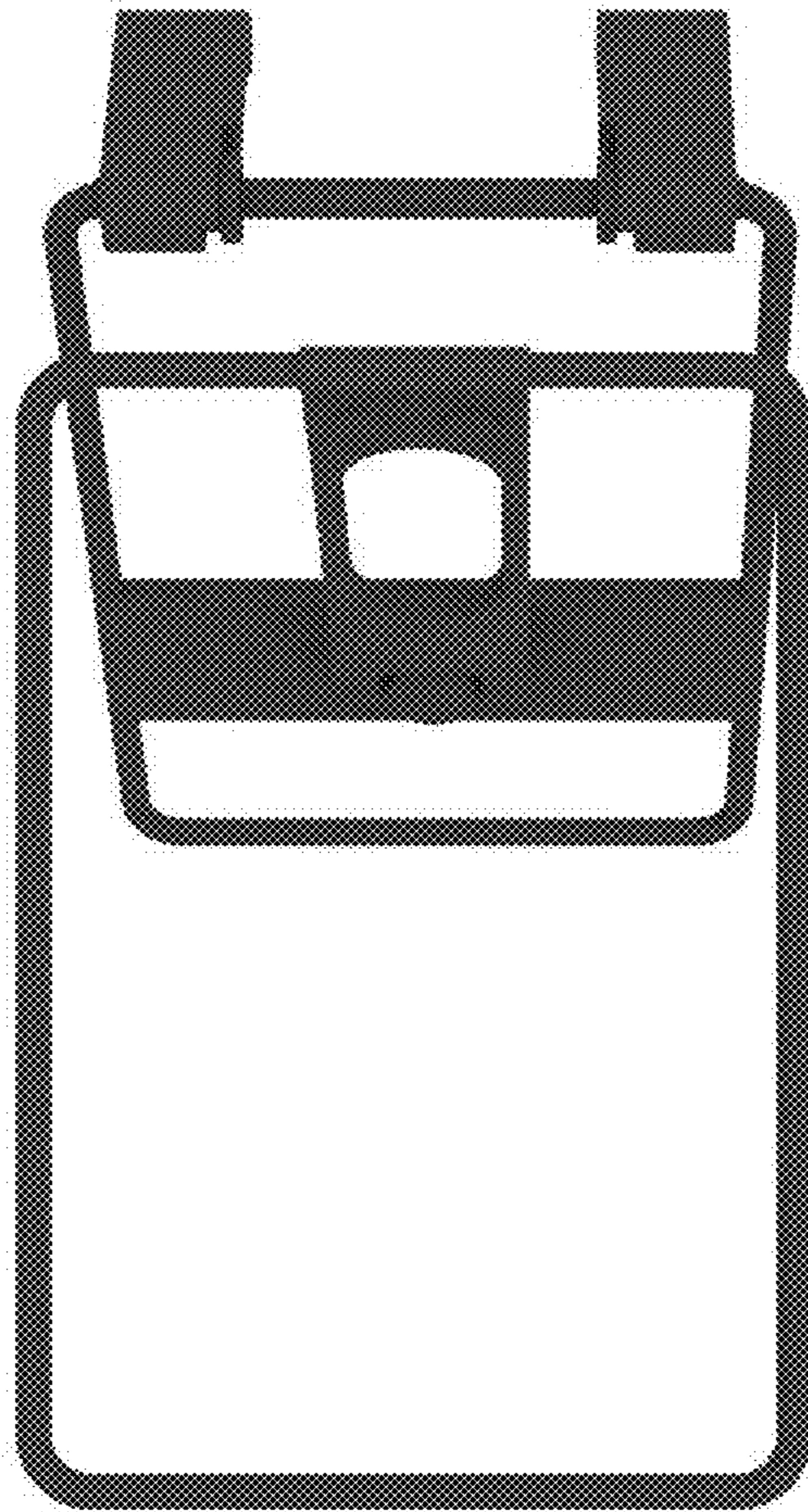


FIG. 6

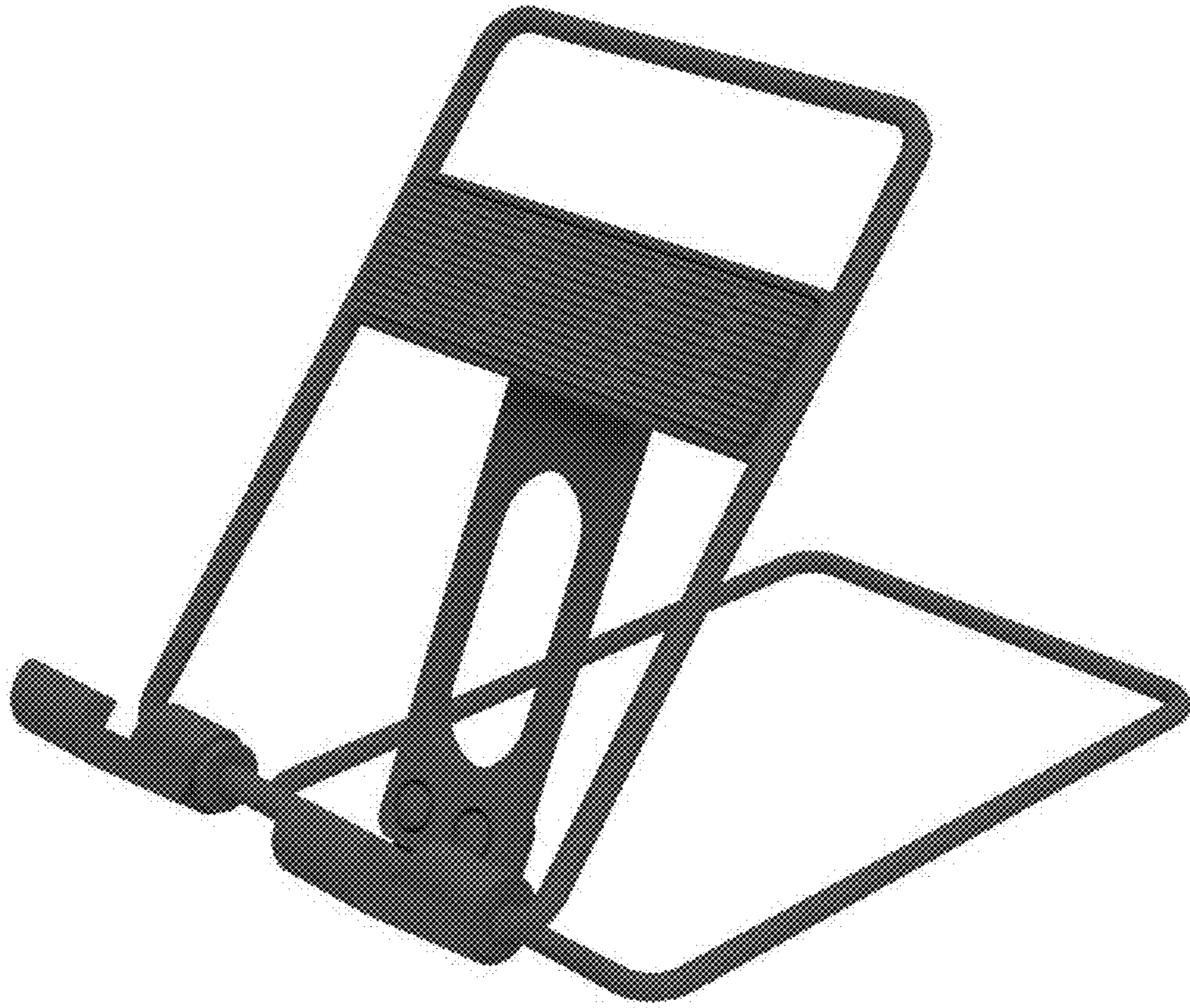


FIG. 7

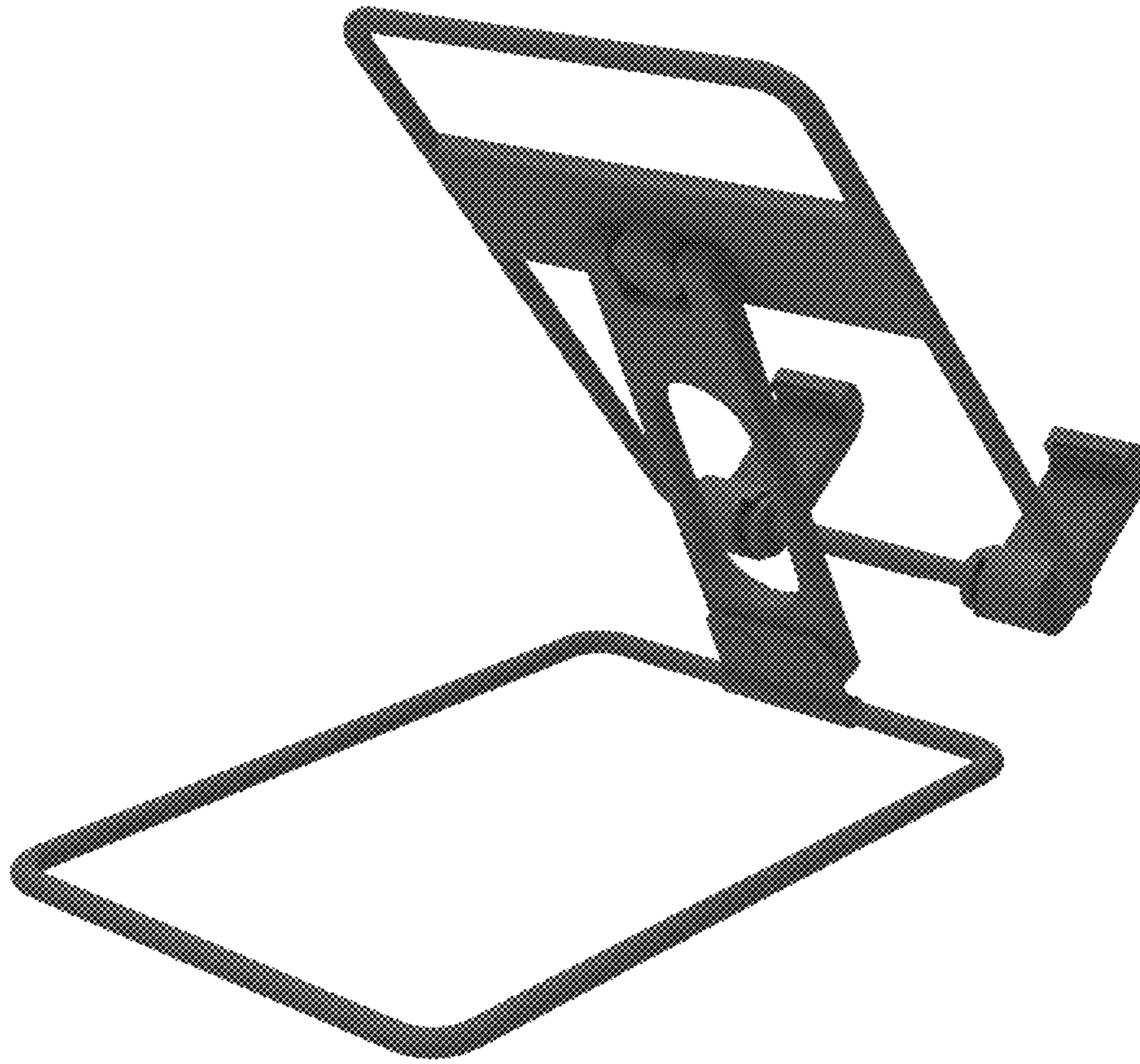


FIG. 8