



US00D907627S

(12) **United States Design Patent**
Li et al.

(10) **Patent No.:** **US D907,627 S**
(45) **Date of Patent:** **** Jan. 12, 2021**

- (54) **CAR PHONE MOUNT**
- (71) Applicant: **SHENZHEN QIANHAI JUNLIAN NETWORK TECHNOLOGY CO., LTD.**, Shenzhen (CN)
- (72) Inventors: **Yan Li**, Shenzhen (CN); **Weijian Yuan**, Yichun (CN)
- (73) Assignee: **SHENZHEN QIANHAI JUNLIAN NETWORK TECHNOLOGY CO., LTD.**, Shenzhen (CN)

D817,317 S *	5/2018	Lee	D14/253
D825,546 S *	8/2018	Fan	D14/253
D832,248 S *	10/2018	Sukphist	D14/253
D850,436 S *	6/2019	Vogel	D14/253
D852,116 S *	6/2019	Jun	D12/415
D867,357 S *	11/2019	Yang	D14/253
D873,813 S *	1/2020	Zhong	D14/253
D876,316 S *	2/2020	Peters	D12/415
D879,090 S *	3/2020	Chung	D14/253
D879,766 S *	3/2020	Fan	D14/253
D889,382 S *	7/2020	Lan	D12/415
2010/0320341 A1 *	12/2010	Baumann	F16B 47/006 248/206.2
2014/0145051 A1 *	5/2014	Gwag	F16M 11/2092 248/298.1

(**) Term: **15 Years**

* cited by examiner

(21) Appl. No.: **29/691,793**

Primary Examiner — Janice Hallmark

(22) Filed: **May 20, 2019**

(74) *Attorney, Agent, or Firm* — Law Offices of Steven W. Weinrieb

(51) **LOC (13) Cl.** **14-03**

(52) **U.S. Cl.**
USPC **D14/253**

(58) **Field of Classification Search**
USPC D14/217, 251–253, 447, 452, 432–434,
D14/440; D12/415; D3/218;
D16/242–244
CPC H04M 1/02; H04M 1/04; B60R 11/02;
F16M 11/00; F16M 11/04; F16M 11/06;
F16M 13/02; F16M 13/00; H05K 7/00;
H05K 5/02; A47G 1/17

See application file for complete search history.

(57) **CLAIM**

The ornamental design for a car phone mount, as shown and described.

DESCRIPTION

FIG. 1 is a front, right side, top perspective view of a car phone mount showing our new design;
FIG. 2 is a rear, left side, bottom perspective view thereof;
FIG. 3 is a front elevational view;
FIG. 4 is a rear elevational view thereof;
FIG. 5 is a left side elevational view thereof;
FIG. 6 is a right side elevational view thereof;
FIG. 7 is a top plan view thereof; and,
FIG. 8 is a bottom plan view thereof.

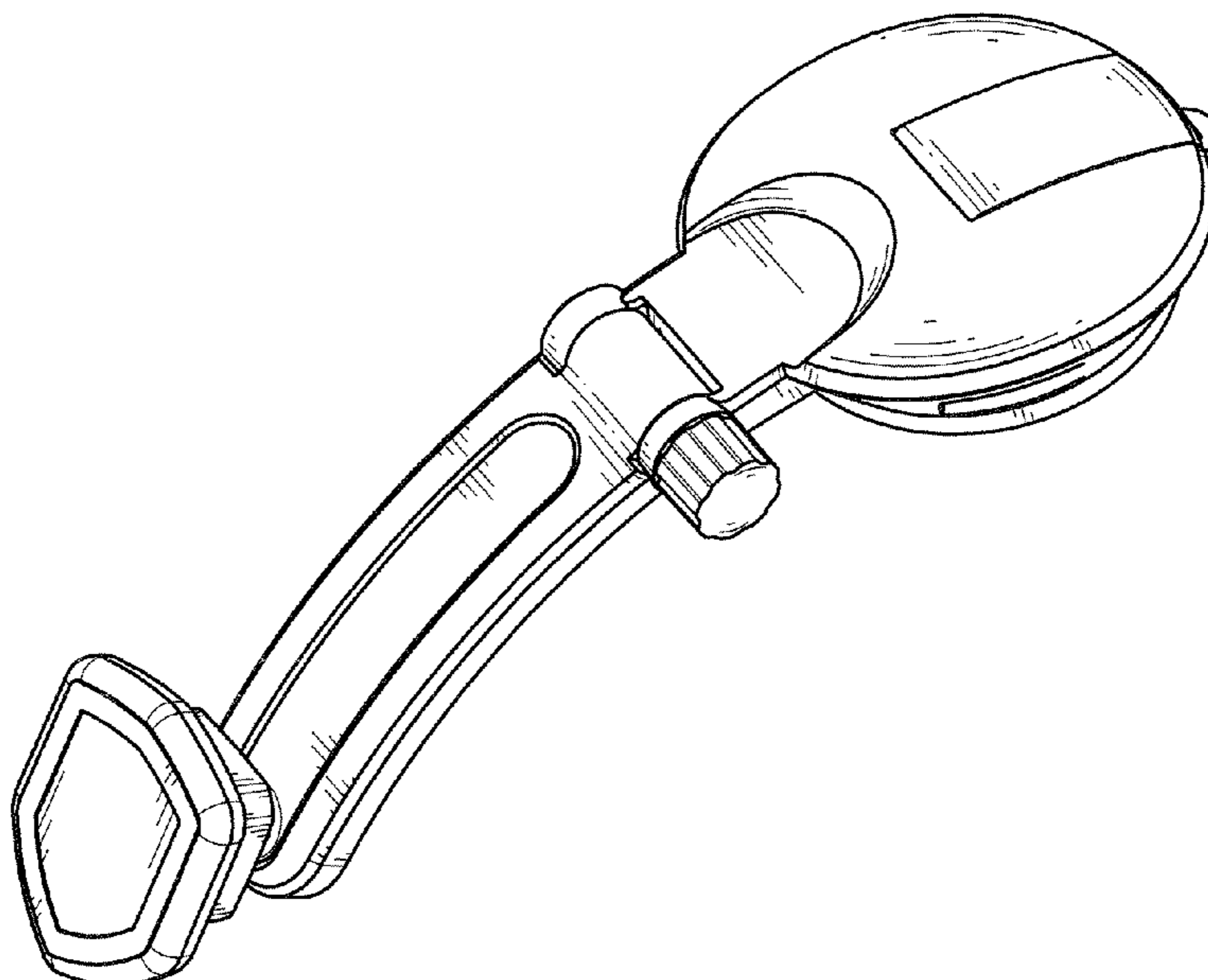
The broken lines immediately adjacent to the claimed portions are boundaries, all other broken lines are environmental structures; all the broken lines form no part of the claimed design.

(56) **References Cited**

U.S. PATENT DOCUMENTS

7,021,593 B1 *	4/2006	Fan	F16B 47/00 248/206.2
D521,850 S *	5/2006	Richter	D8/354
D681,028 S *	4/2013	Richter	D14/253
D715,132 S *	10/2014	McSweyn	D8/363
D718,297 S *	11/2014	Aspinall	D14/253

1 Claim, 8 Drawing Sheets



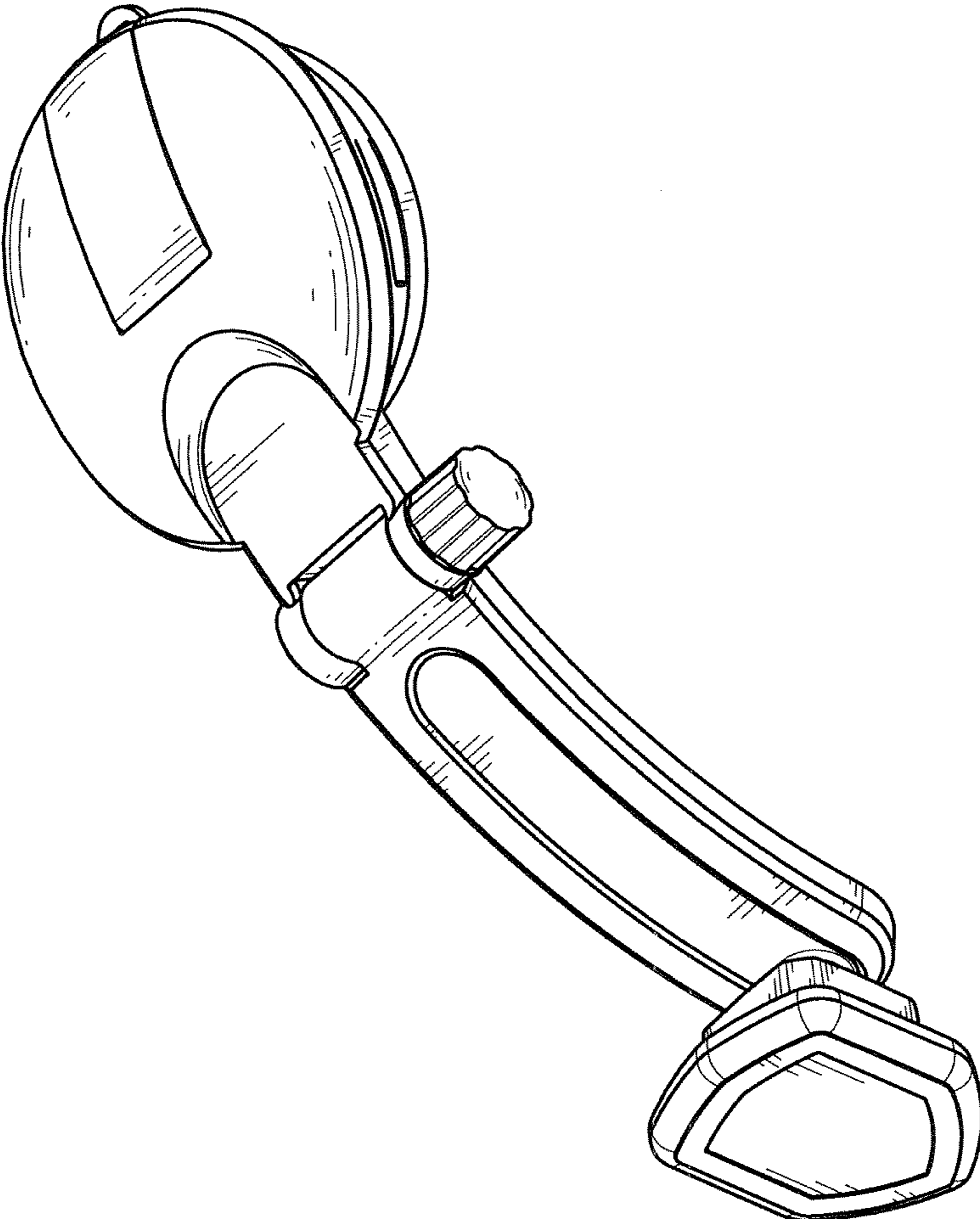


FIG. 1

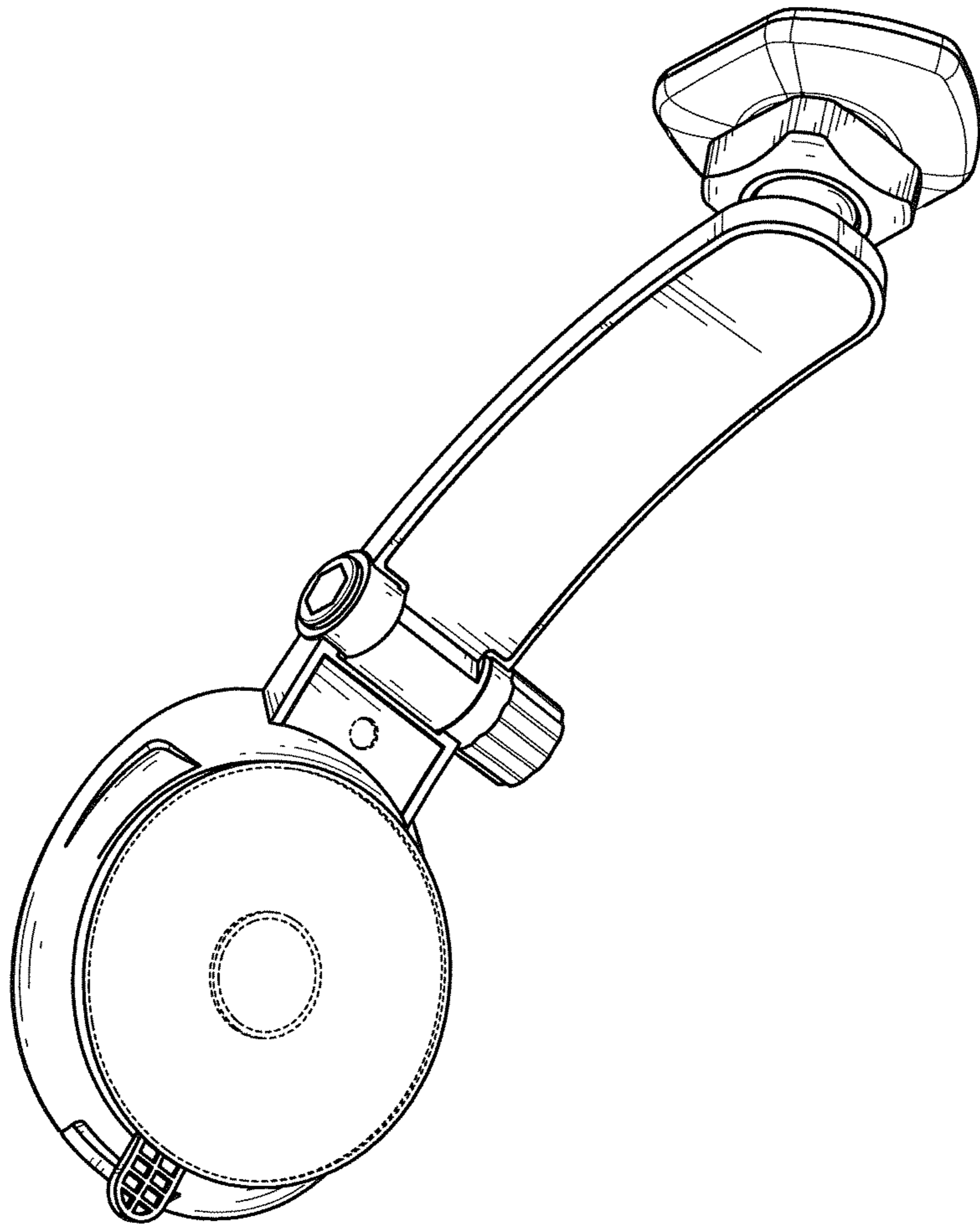


FIG. 2

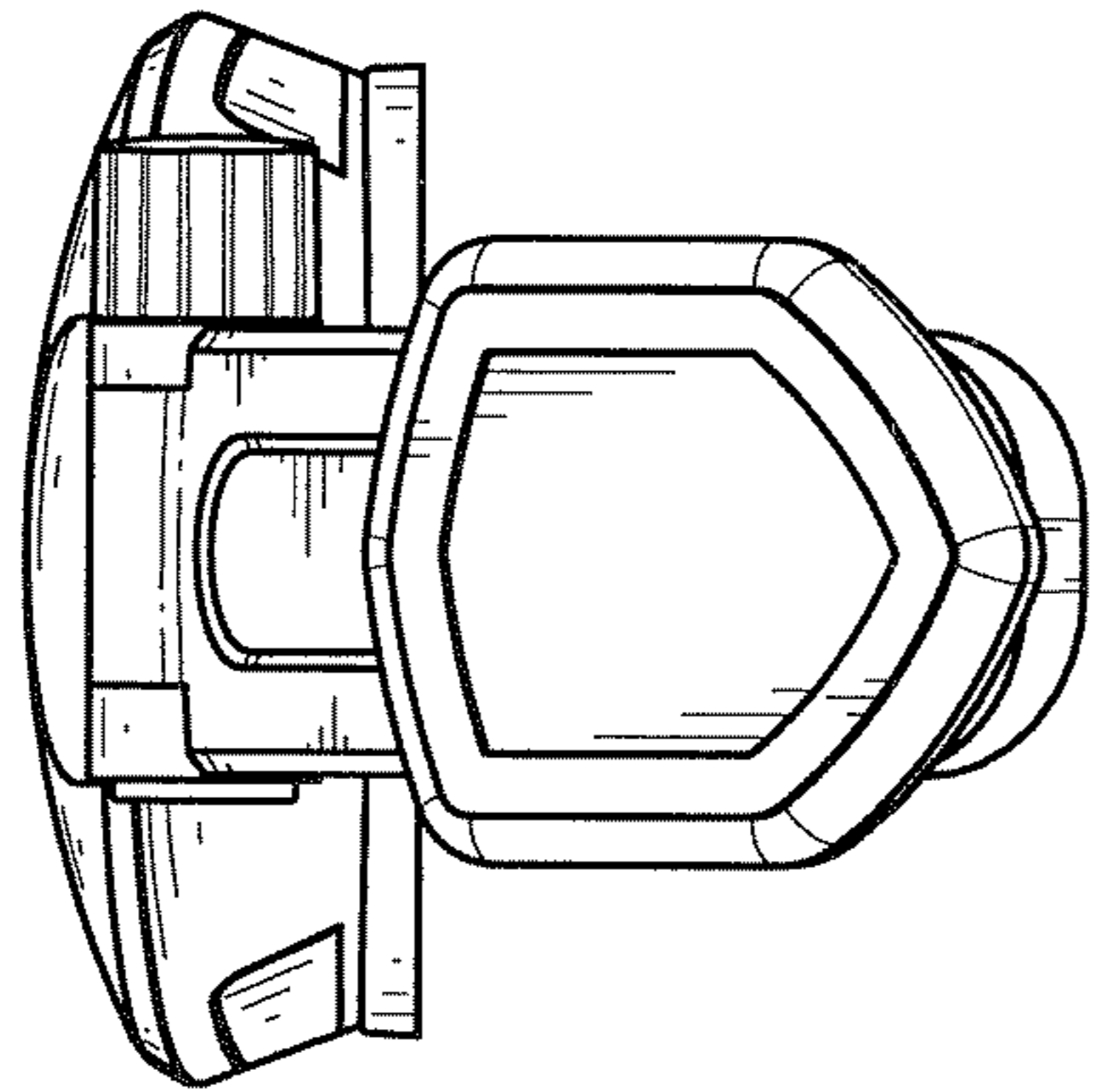


FIG. 3

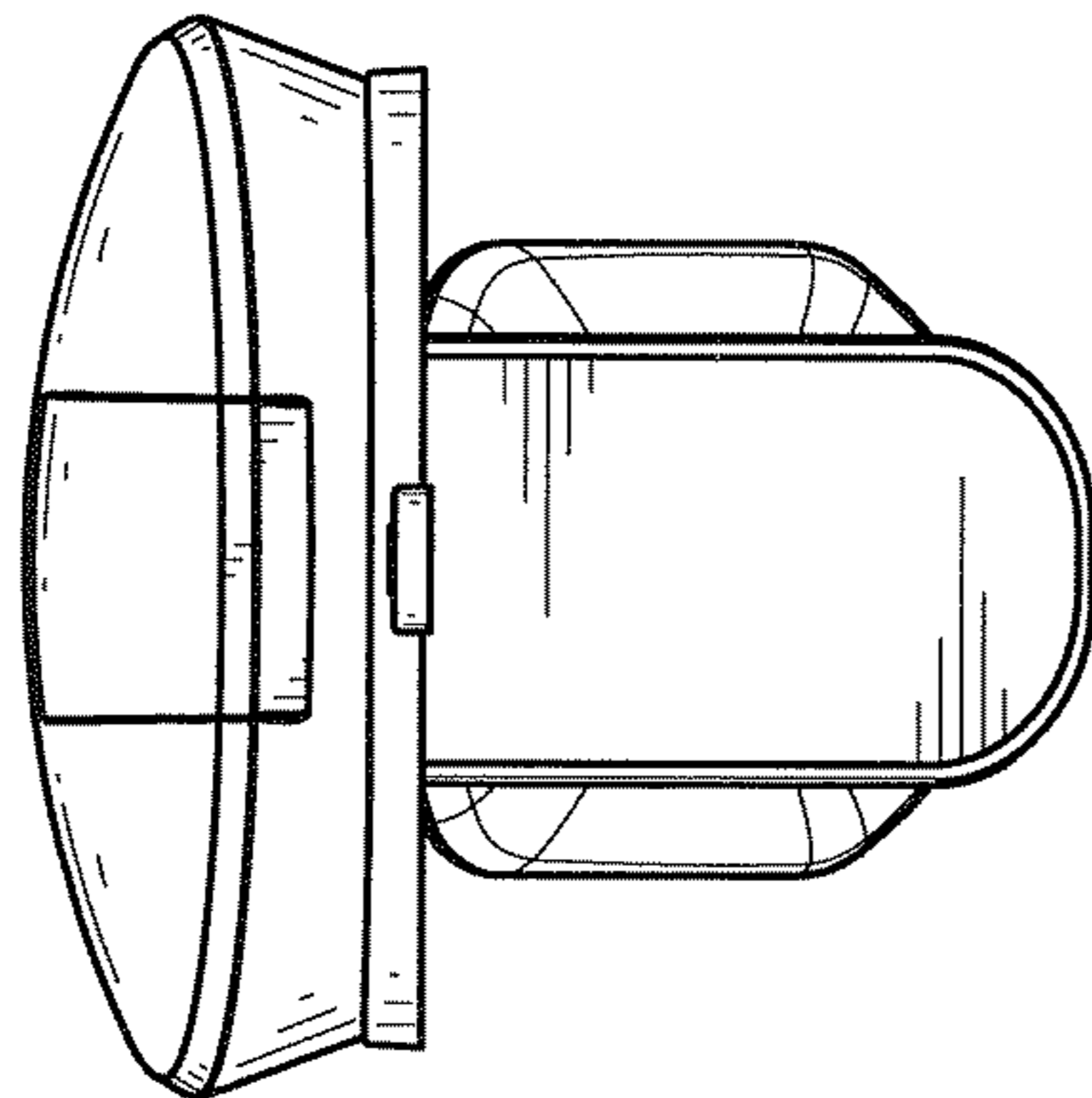


FIG. 4

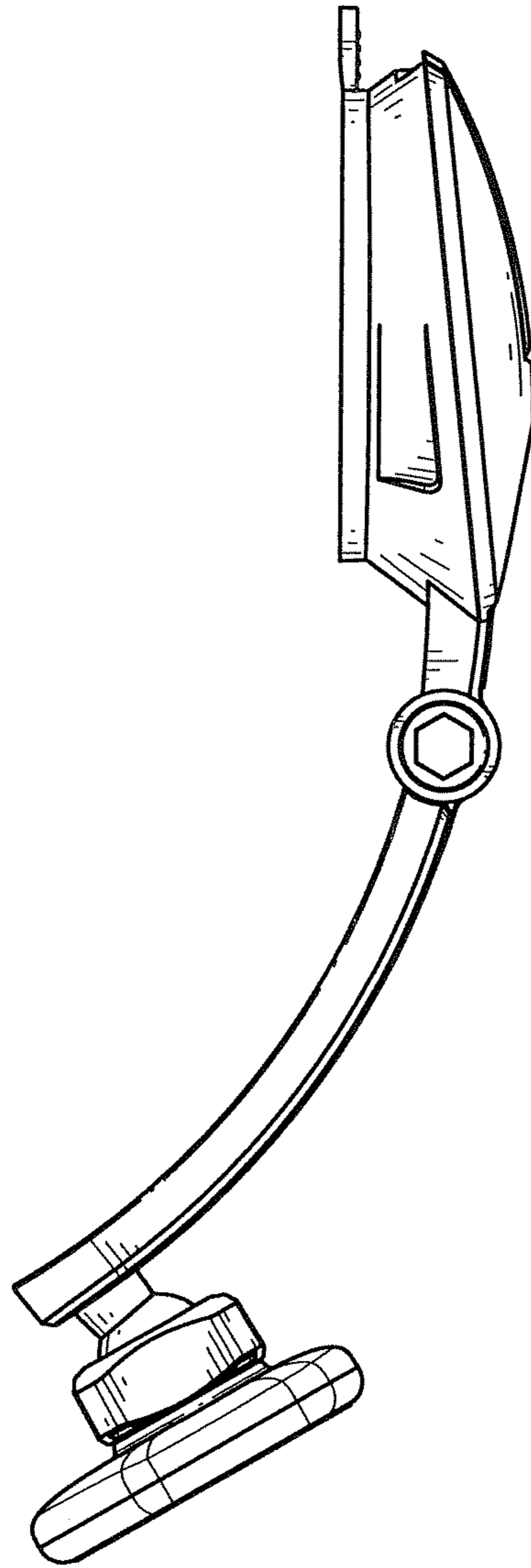


FIG. 5

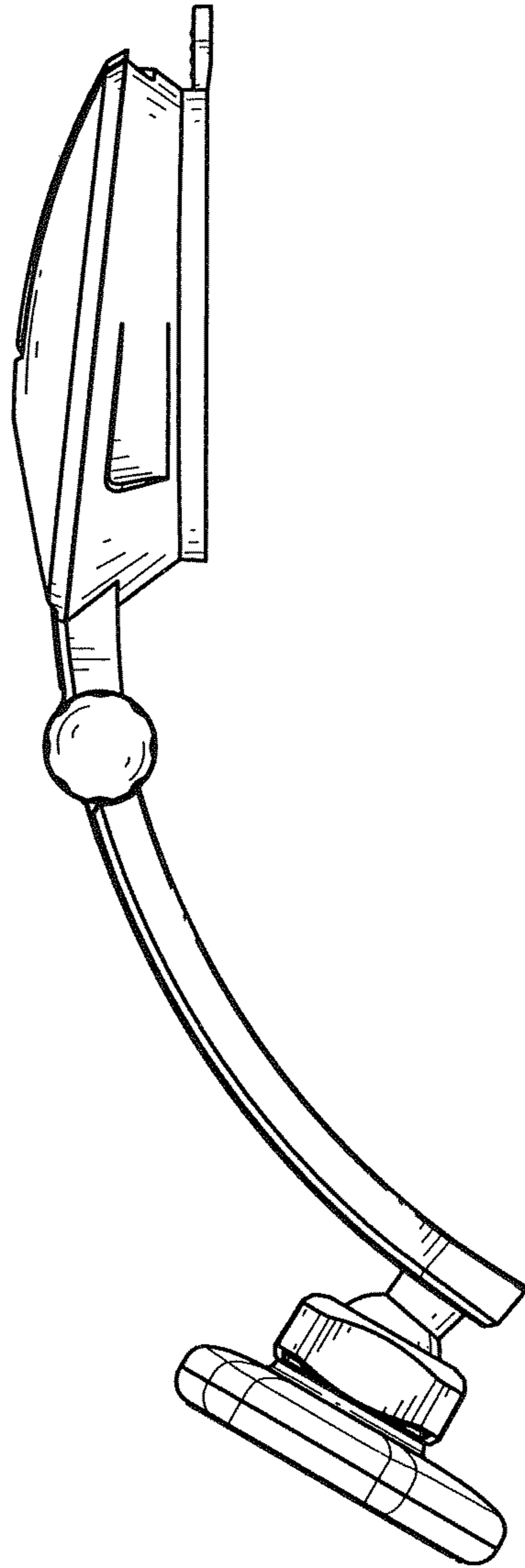


FIG. 6

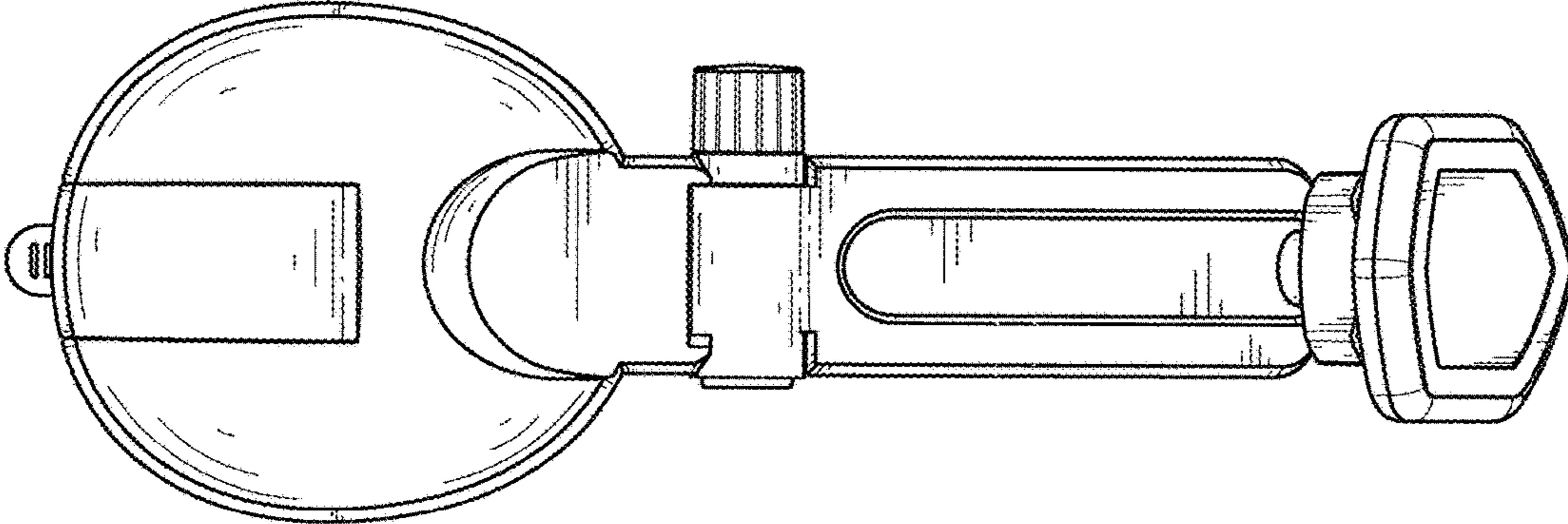


FIG. 7

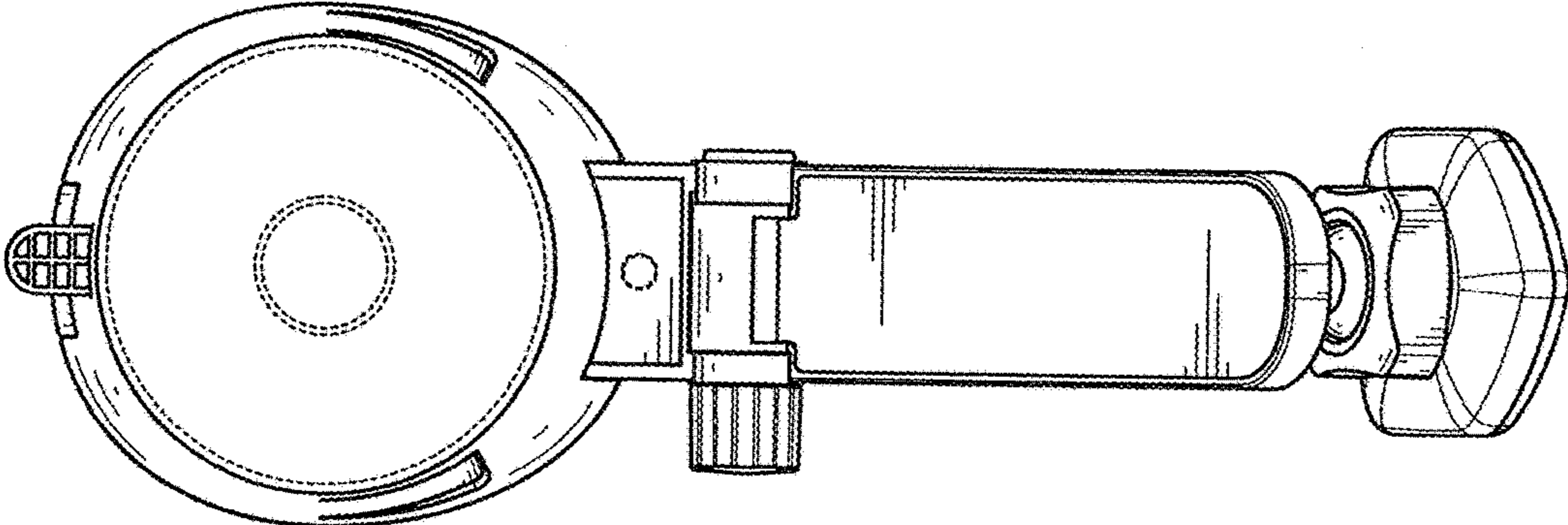


FIG. 8