

US00D907626S

(12) **United States Design Patent**  
**Barnett et al.**

(10) **Patent No.:** **US D907,626 S**

(45) **Date of Patent:** **\*\* Jan. 12, 2021**

(54) **VENT CLIP ACCESSORY**

(71) Applicant: **PopSockets LLC**, Boulder, CO (US)

(72) Inventors: **David B. Barnett**, Boulder, CO (US);  
**Greg Adelman**, Boulder, CO (US);  
**Michael Kory**, Boulder, CO (US)

(73) Assignee: **POPSOCKETS LLC**, Boulder, CO (US)

(\*\*) Term: **15 Years**

(21) Appl. No.: **29/632,567**

(22) Filed: **Jan. 8, 2018**

(51) **LOC (13) Cl.** ..... **14-03**

(52) **U.S. Cl.**  
USPC ..... **D14/253**

(58) **Field of Classification Search**  
USPC ..... D14/217, 251–253, 447, 452, 432–434,  
D14/440; D12/415; D3/218; D8/349,  
D8/363, 394–396

CPC ..... H04M 1/02; H04M 1/04; B60R 11/02;  
F16M 11/00; F16M 11/04; F16M 11/06;  
F16M 13/02; F16M 13/00; H05K 7/00;  
H05K 5/02; A47G 1/17

See application file for complete search history.

(56) **References Cited**

**U.S. PATENT DOCUMENTS**

D595,130 S \* 6/2009 Bizzell ..... D9/434  
D597,828 S \* 8/2009 Tanaka ..... D8/354

D608,189 S \* 1/2010 Jackson ..... D8/395  
D708,187 S \* 7/2014 Xiang ..... D14/447  
D777,022 S \* 1/2017 Barnett ..... D8/394  
D783,593 S \* 4/2017 Chen ..... D14/253  
D802,404 S \* 11/2017 Turksu ..... D8/373  
D807,339 S \* 1/2018 Lan ..... D14/253  
D818,808 S \* 5/2018 Barnett ..... D8/394  
D852,188 S \* 6/2019 He ..... D14/250  
D866,548 S \* 11/2019 Tan ..... D14/253  
D873,260 S \* 1/2020 Dang ..... D14/253

\* cited by examiner

*Primary Examiner* — Janice Hallmark

(74) *Attorney, Agent, or Firm* — Holland & Hart LLP

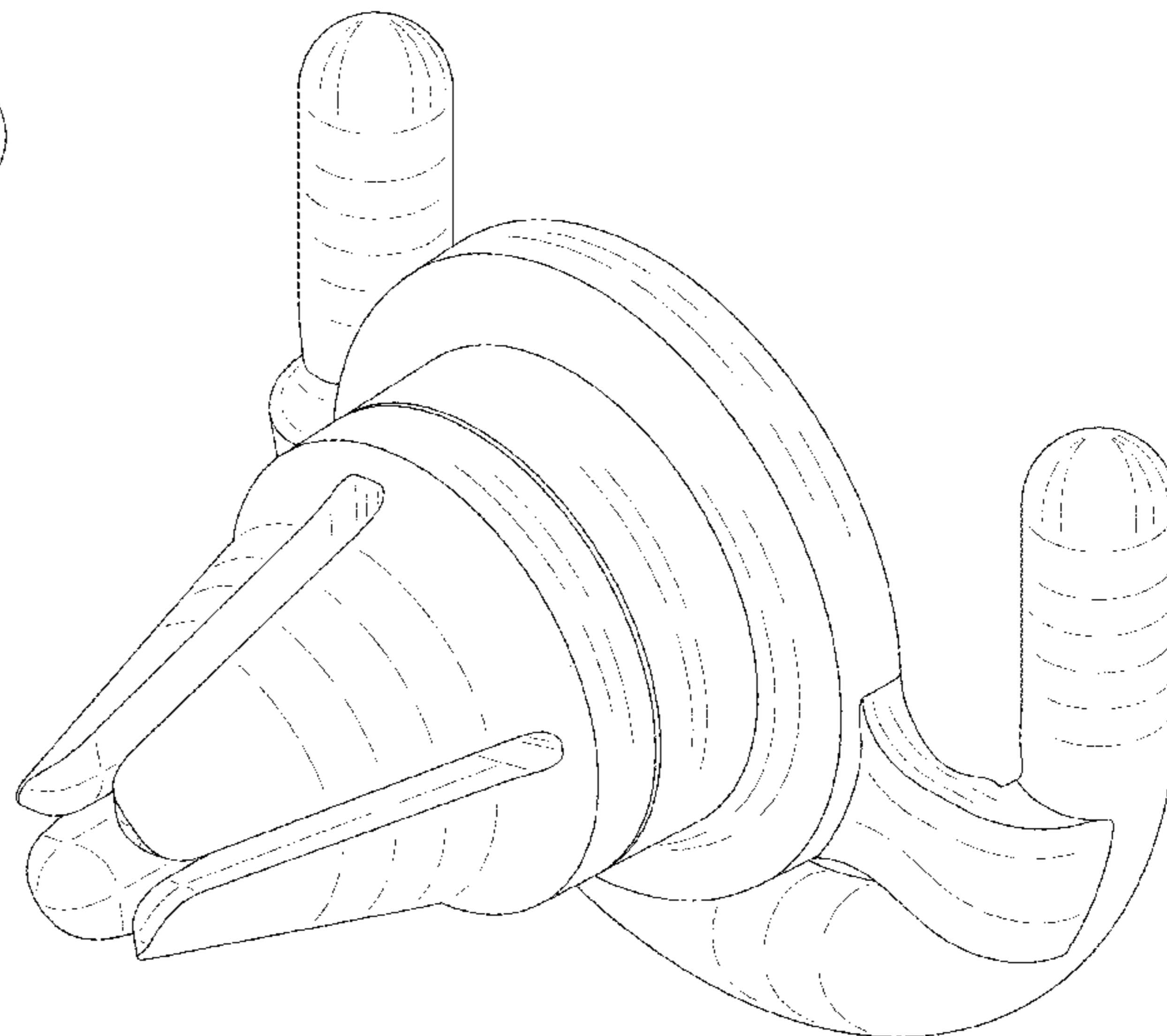
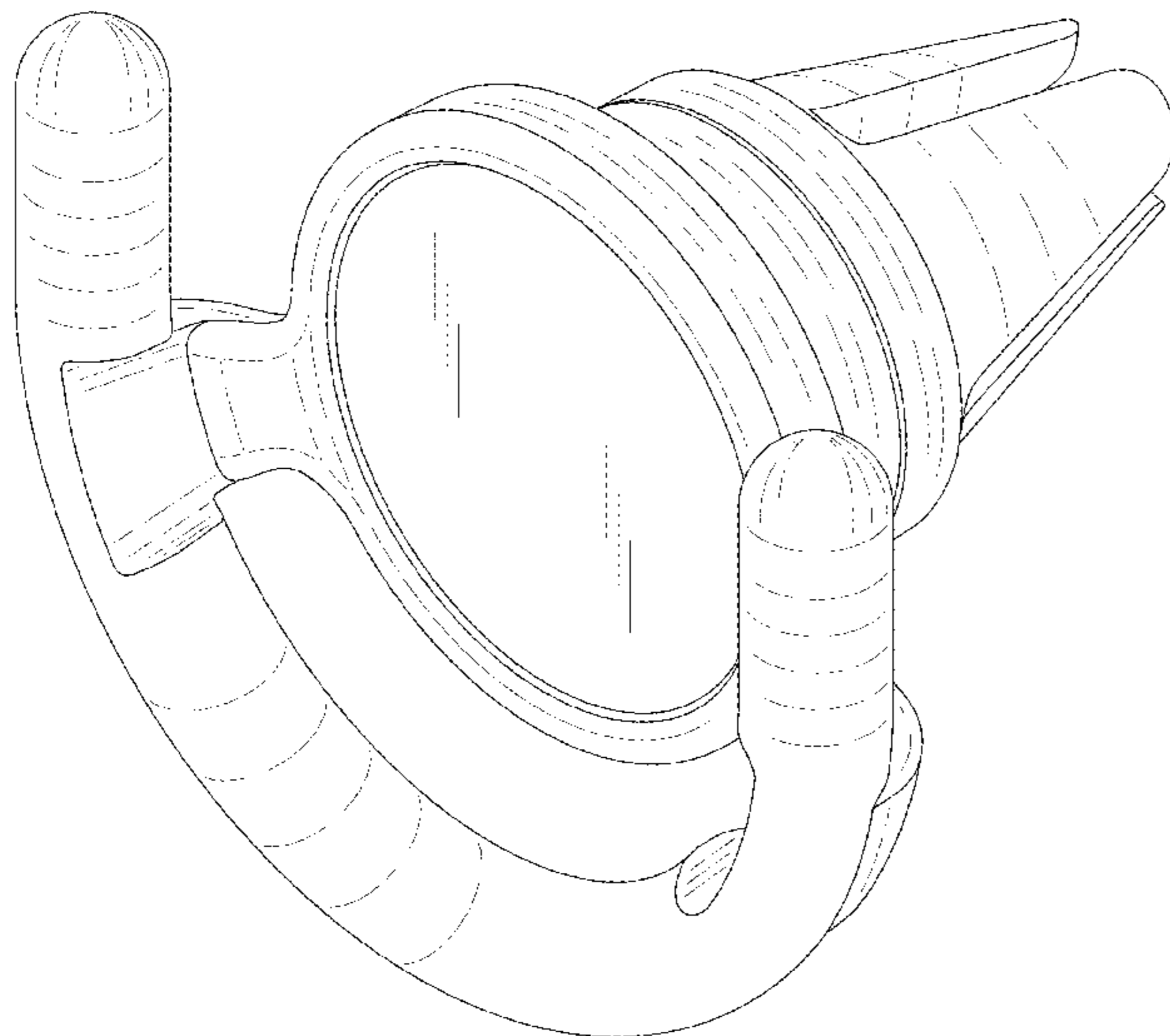
(57) **CLAIM**

The ornamental design for a vent clip accessory, as shown and described.

**DESCRIPTION**

FIG. 1 is a front isometric view of a vent clip accessory showing our new design;  
FIG. 2 is a rear isometric view thereof;  
FIG. 3 is a front view thereof;  
FIG. 4 is a rear view thereof;  
FIG. 5 is a left view thereof;  
FIG. 6 is a right view thereof;  
FIG. 7 is a top view thereof; and,  
FIG. 8 is a bottom view thereof.

**1 Claim, 8 Drawing Sheets**



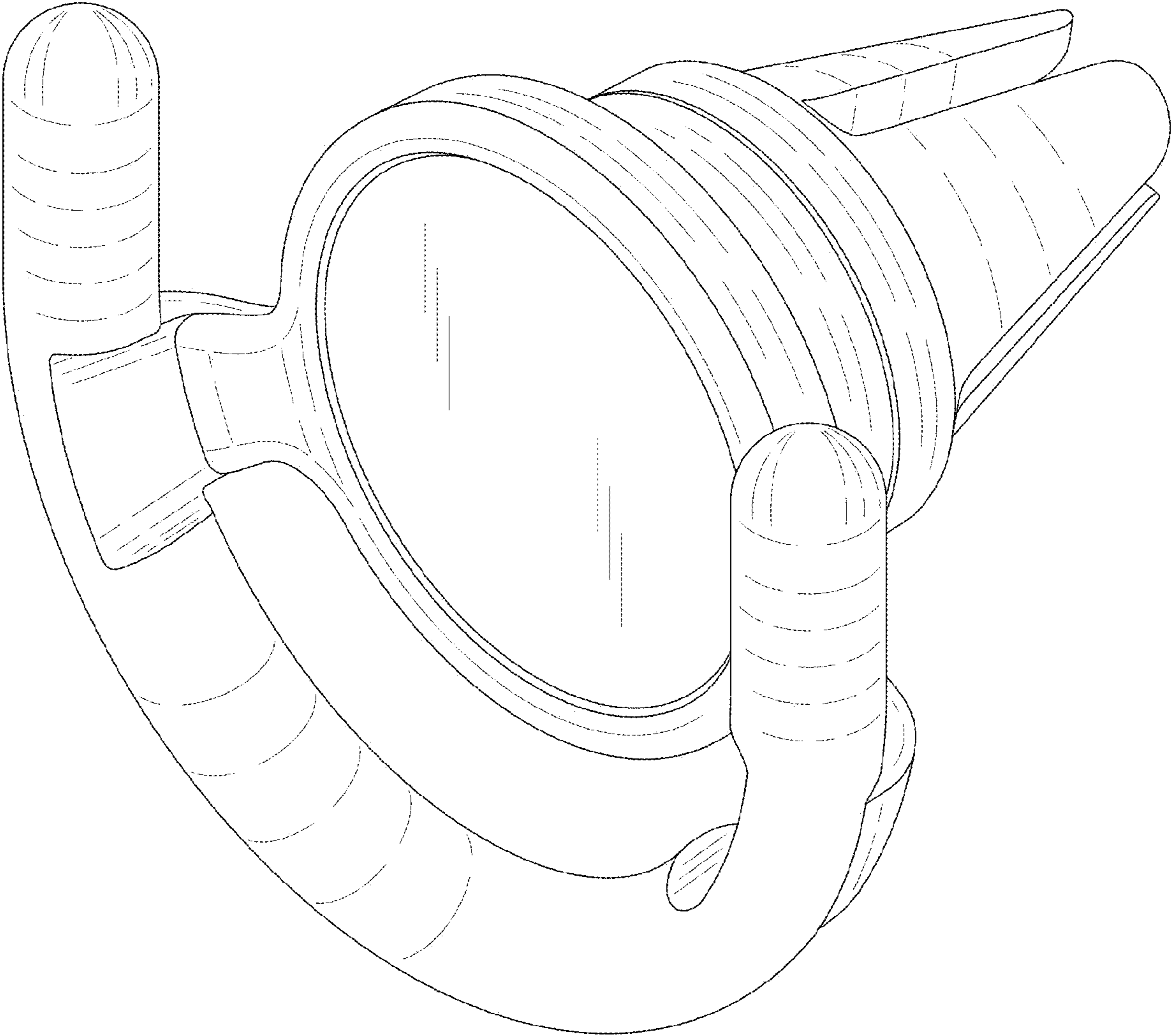


FIG. 1

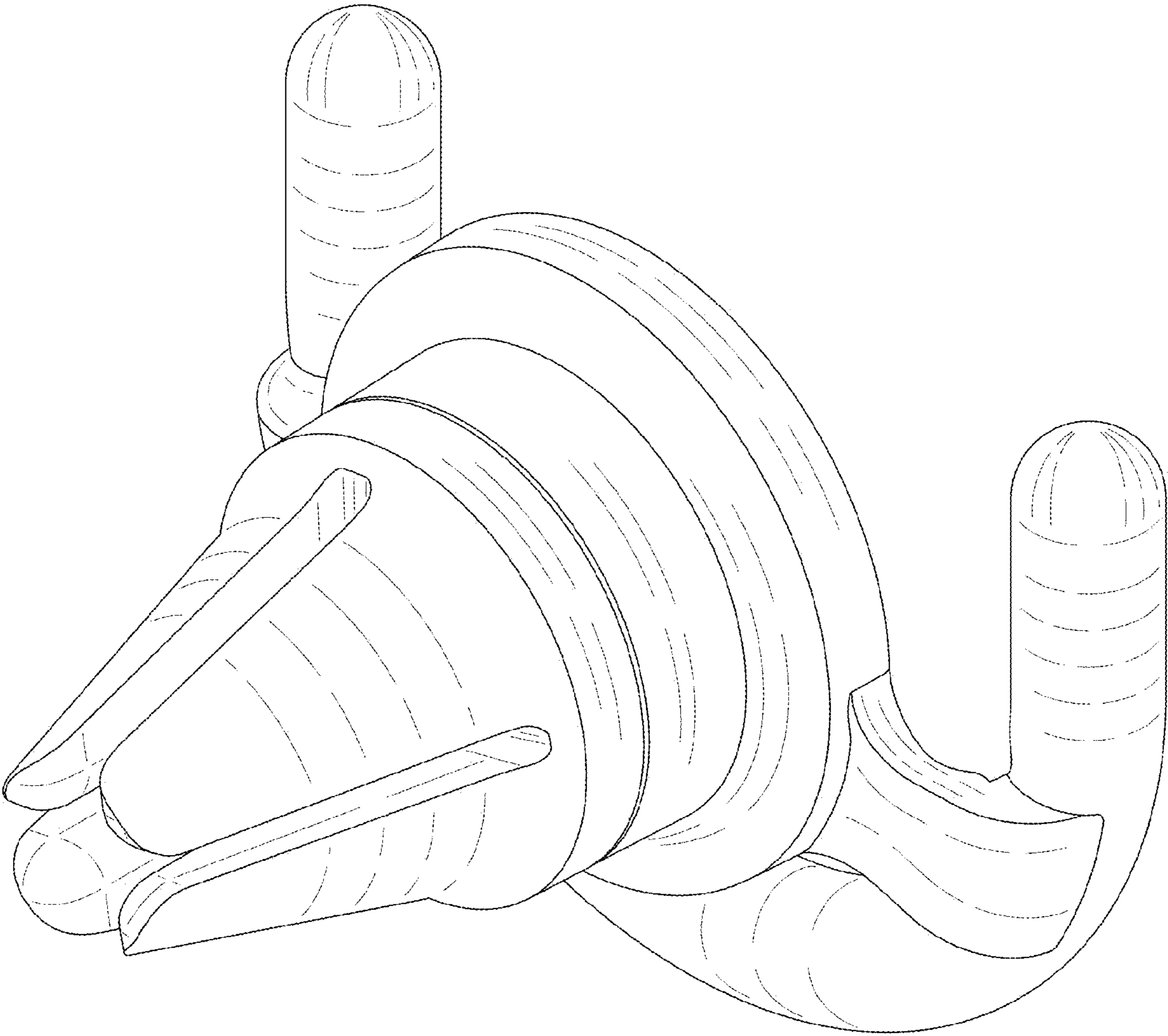


FIG. 2

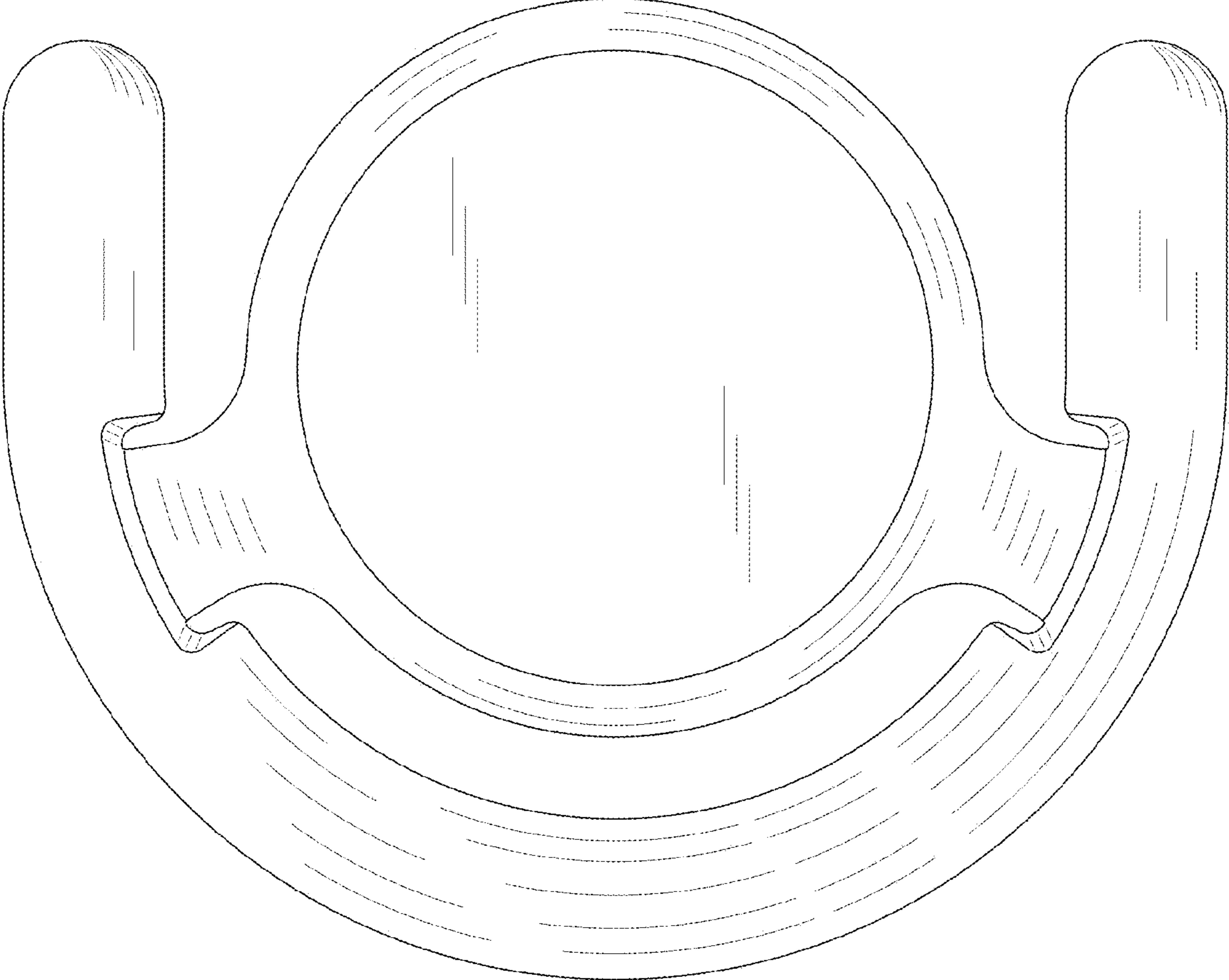


FIG. 3



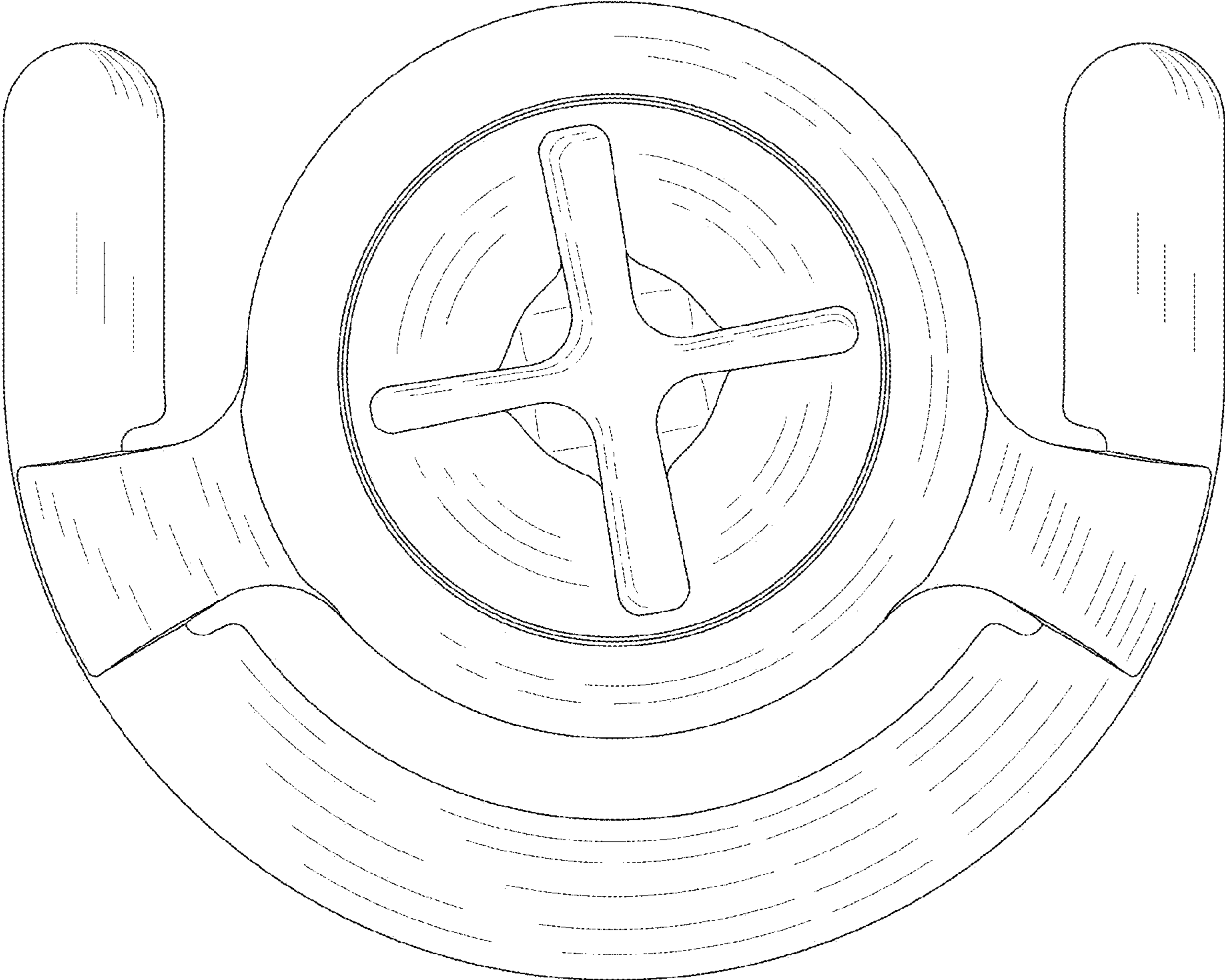


FIG. 4

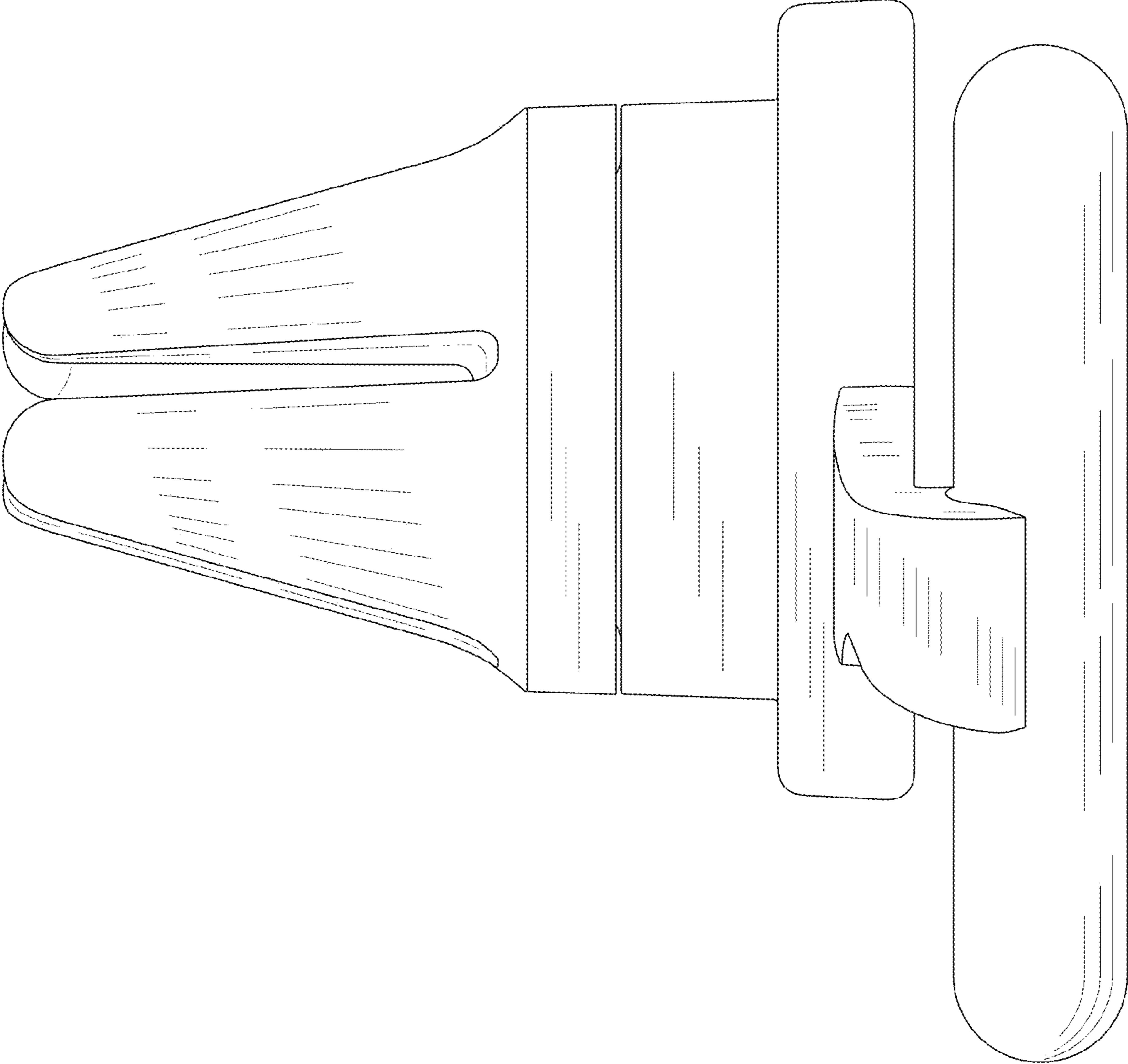


FIG. 5

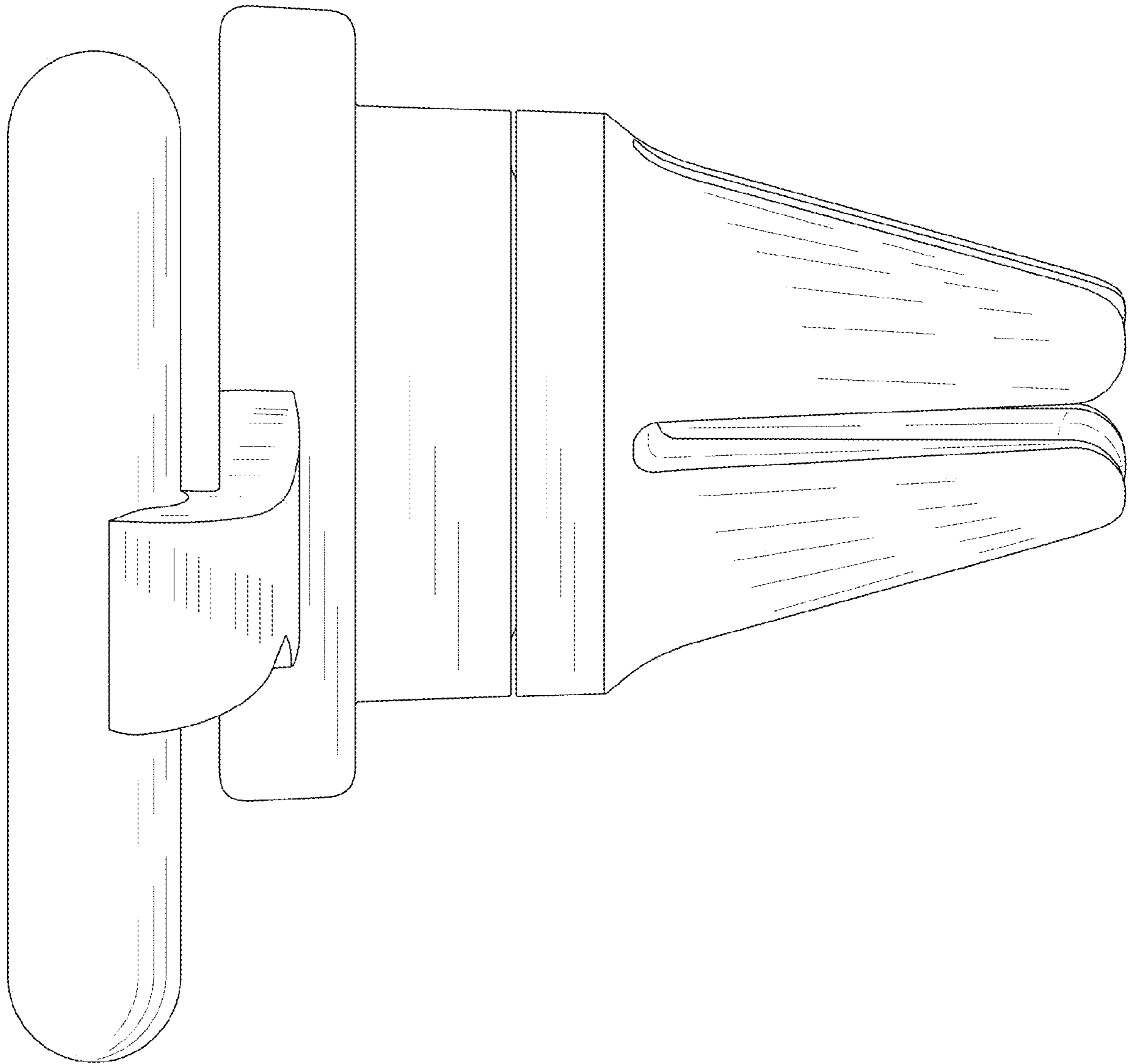


FIG. 6

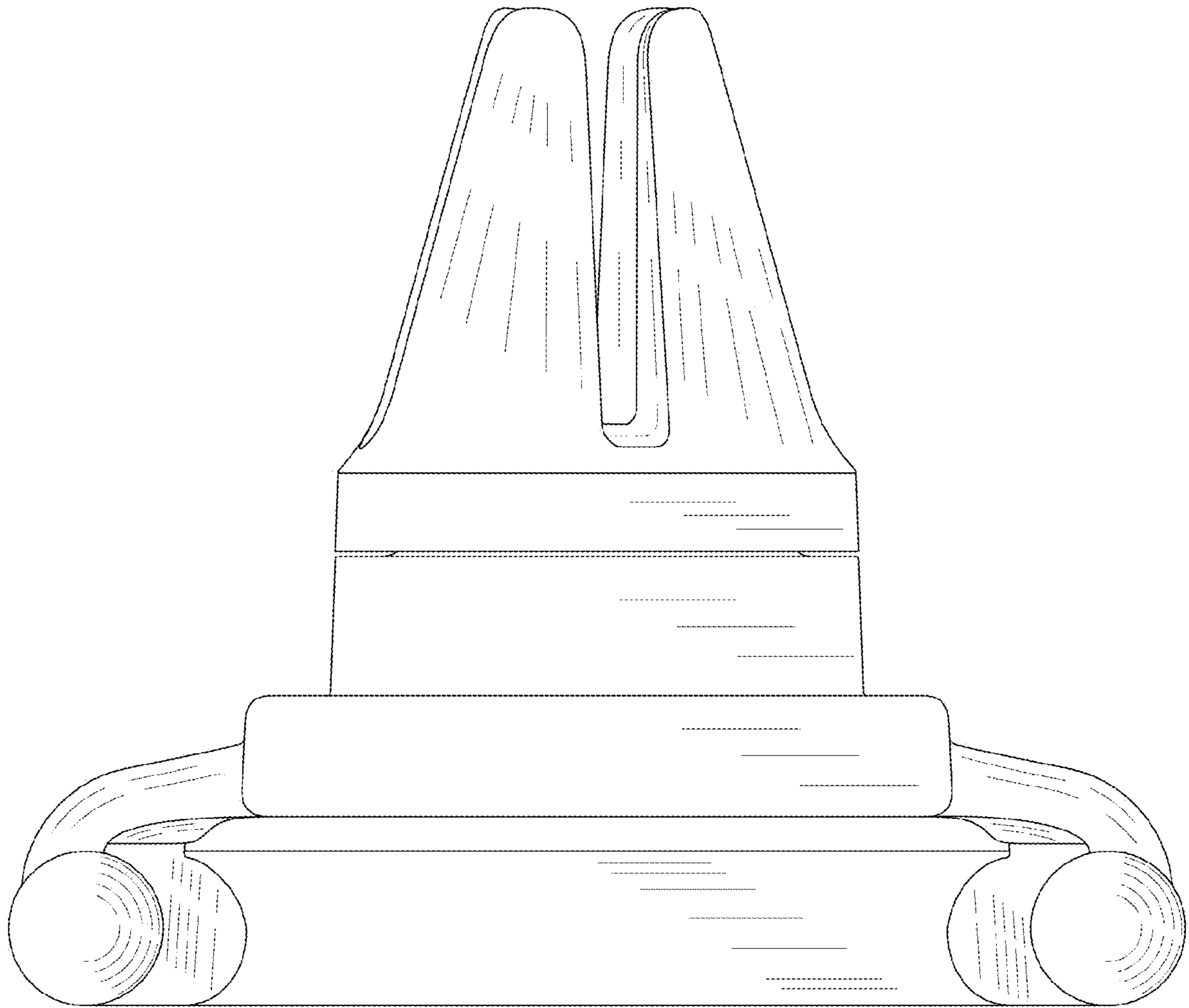


FIG. 7



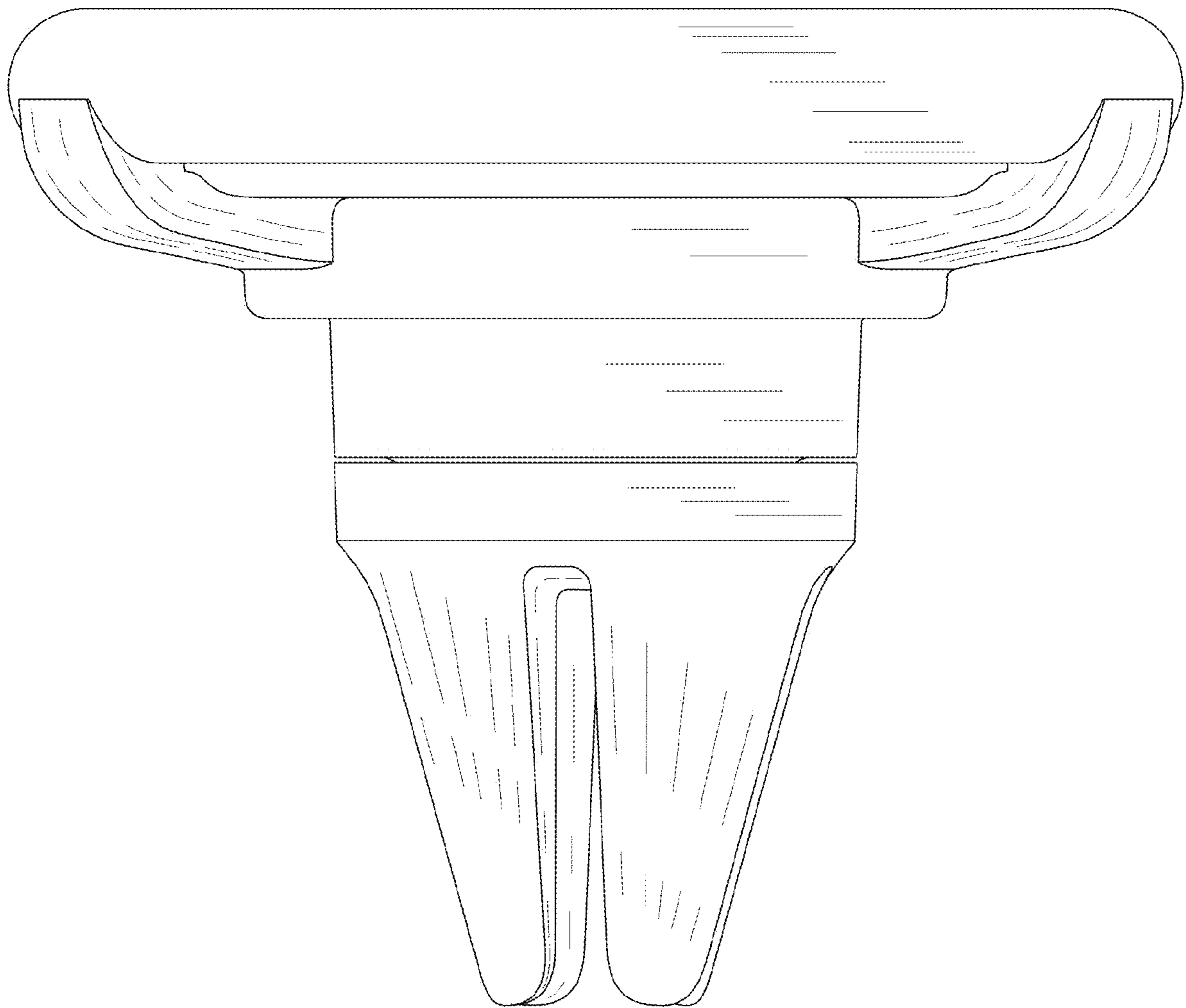


FIG. 8