



US00D907625S

(12) **United States Design Patent**
Feng

(10) **Patent No.:** **US D907,625 S**
(45) **Date of Patent:** **** Jan. 12, 2021**

(54) **PHONE CASE**

(71) Applicant: **GUANGZHOU WENYI COMMUNICATION EQUIPMENT CO., LTD**, Guangzhou (CN)

(72) Inventor: **YouRu Feng**, Guangzhou (CN)

(73) Assignee: **GUANGZHOU WENYI COMMUNICATION EQUIPMENT CO., LTD**, Guangzhou (CN)

(**) Term: **15 Years**

(21) Appl. No.: **29/704,117**

(22) Filed: **Sep. 2, 2019**

(51) **LOC (13) Cl.** **14-03**

(52) **U.S. Cl.**
USPC **D14/250; D3/249**

(58) **Field of Classification Search**
USPC D14/217, 238.1, 240, 248, 250, 251–253, D14/439, 440, 447; D13/107–108, 103, D13/119; D3/201, 218, 247, 269, 273, D3/301, 303, 249
CPC H04B 1/3888; H04M 1/0283; H04M 1/0202; A45C 1/06; A45C 11/00; A45C 13/02; A45C 2011/002; A45F 2005/026; A45F 2200/0525; A45F 2200/0516
See application file for complete search history.

(56) **References Cited**

U.S. PATENT DOCUMENTS

- D729,522 S * 5/2015 Kim D3/303
- D762,615 S * 8/2016 Kim D14/203.4
- D767,888 S * 10/2016 Kim D3/249
- D793,082 S * 8/2017 Zhang D3/249
- D794,952 S * 8/2017 Feng D3/247
- D806,378 S * 1/2018 Lerenthal D3/201
- D817,962 S * 5/2018 Shao D14/440

- D822,989 S * 7/2018 Persson D3/249
 - D842,289 S * 3/2019 Feng D14/250
 - D843,992 S * 3/2019 Lu D14/250
- (Continued)

OTHER PUBLICATIONS

“Icarercase iPhone 11 Wallet Case, Folio Flip Magnetic [. . .]” [online]. icarercase. [Date first available on Sep. 10, 2019]. Retrieved from the Internet: <<https://www.amazon.com/dp/B07XJV6S28>>.*
(Continued)

Primary Examiner — Mojtaba Tehrani

(74) *Attorney, Agent, or Firm* — Wen IP LLC; Zhihua Han

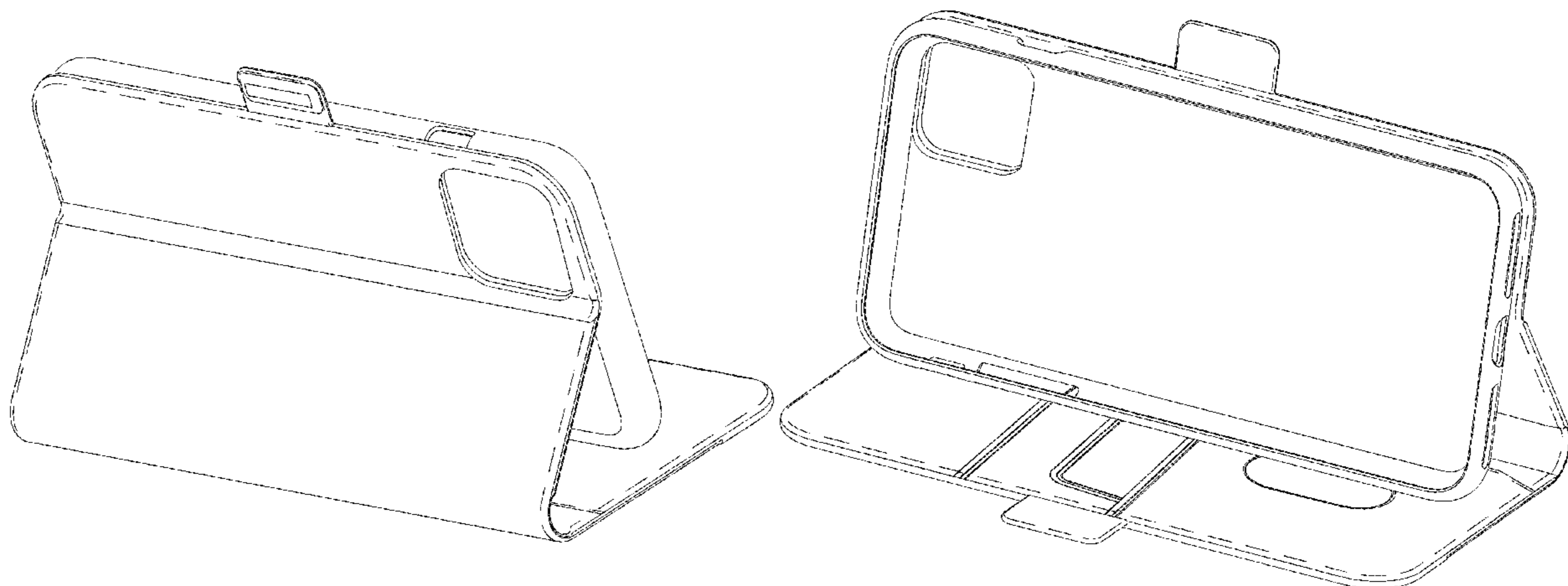
(57) **CLAIM**

The ornamental design for a phone case, as shown and described.

DESCRIPTION

FIG. 1 is a prospective view of the phone case, at an open position, showing my new design;
FIG. 2 is another prospective view thereof, at the open position;
FIG. 3 is a front elevational view thereof, at a closed position;
FIG. 4 is rear elevational view thereof, at the closed position;
FIG. 5 is a left side elevational view thereof, at the closed position;
FIG. 6 is a right side elevational view thereof, at the closed position;
FIG. 7 is a top plan view thereof, at the closed position;
FIG. 8 is a bottom plan view thereof, at the closed position;
FIG. 9 is a front elevational view thereof, at a fully extended position; and,
FIG. 10 is a rear elevational view thereof, at the fully extended position.
The broken lines disclose stitching which forms part of the claimed design.

1 Claim, 10 Drawing Sheets



(56)

References Cited

U.S. PATENT DOCUMENTS

D844,596 S	*	4/2019	Liu	D14/250
D856,671 S	*	8/2019	Li	D3/249
D866,179 S	*	11/2019	Zhao	D3/249
D871,066 S	*	12/2019	Feng	D3/249
D872,722 S	*	1/2020	Zhou	D14/250
D874,137 S	*	2/2020	Feng	D3/249
D891,416 S	*	7/2020	Yu	D14/250
D892,107 S	*	8/2020	Zhao	D14/250

OTHER PUBLICATIONS

“Hoomil Wallet Case for iPhone 11 6.1 Inch, Premium PU Leather Folio Flip Case [. . .]” [online]. Hoomil. [Date first available on Aug. 18, 2019]. Retrieved from the Internet: <<https://www.amazon.com/dp/B07WQT4WRY/>>.*

* cited by examiner

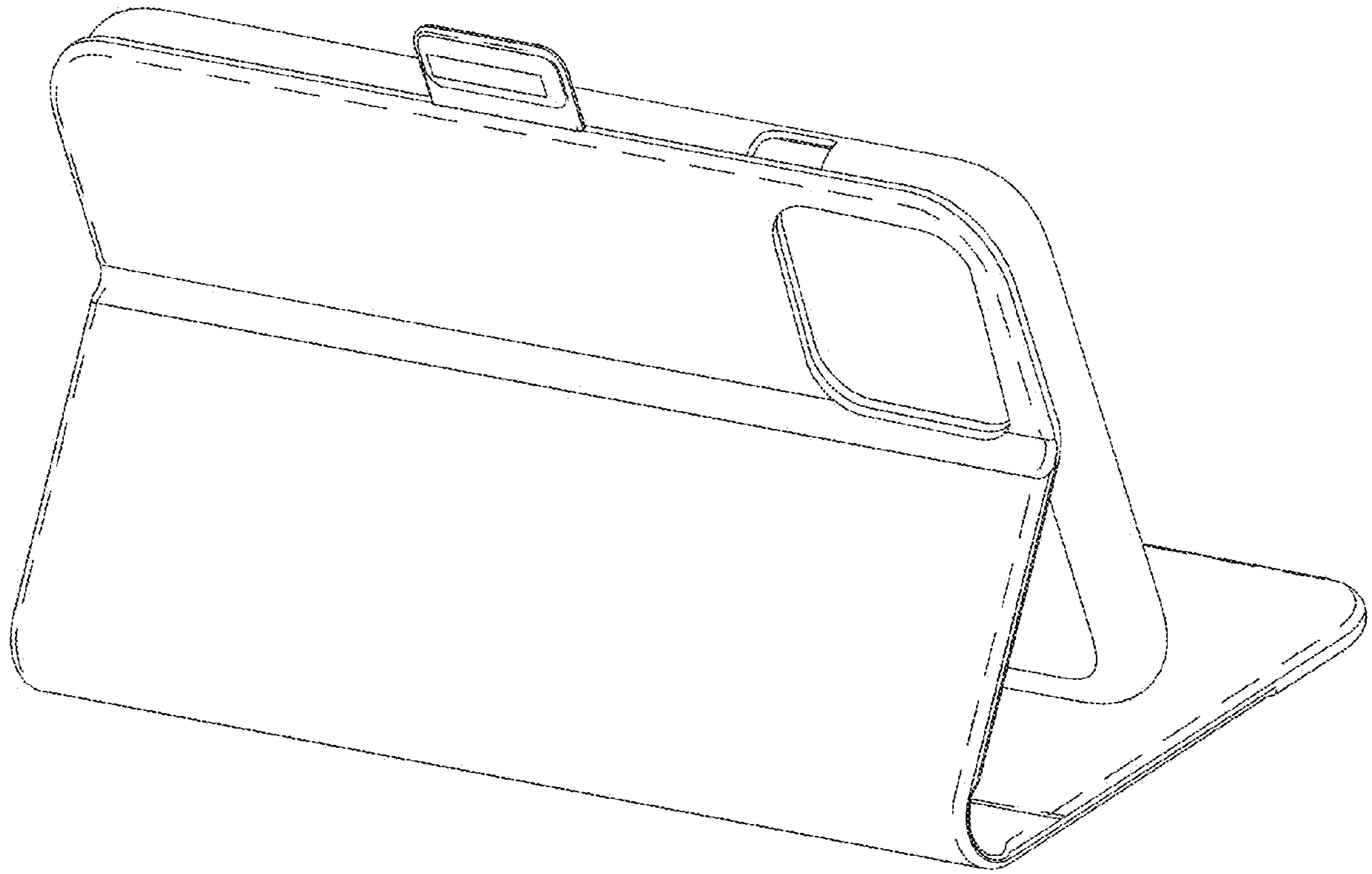


FIG.1

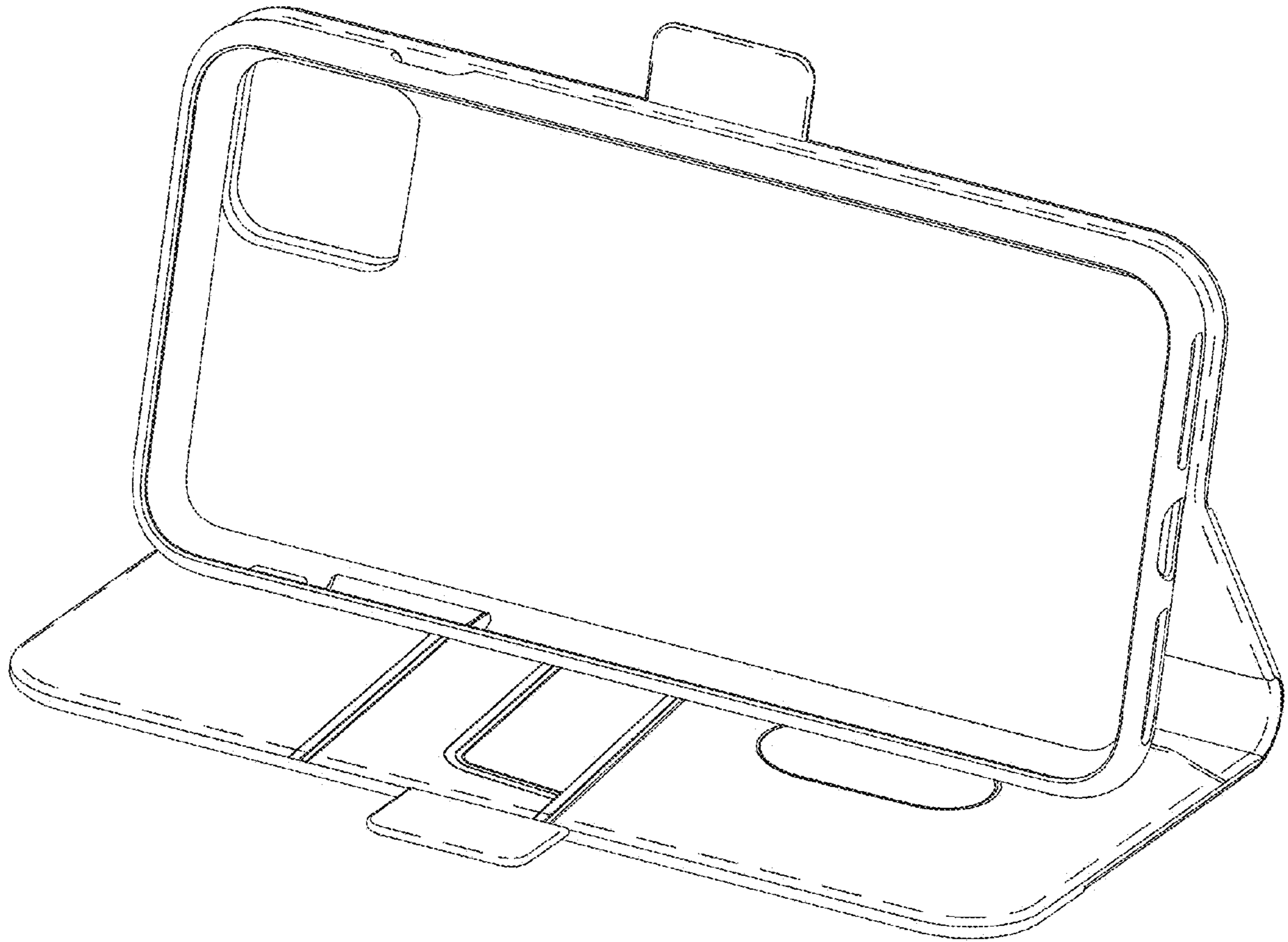


FIG.2

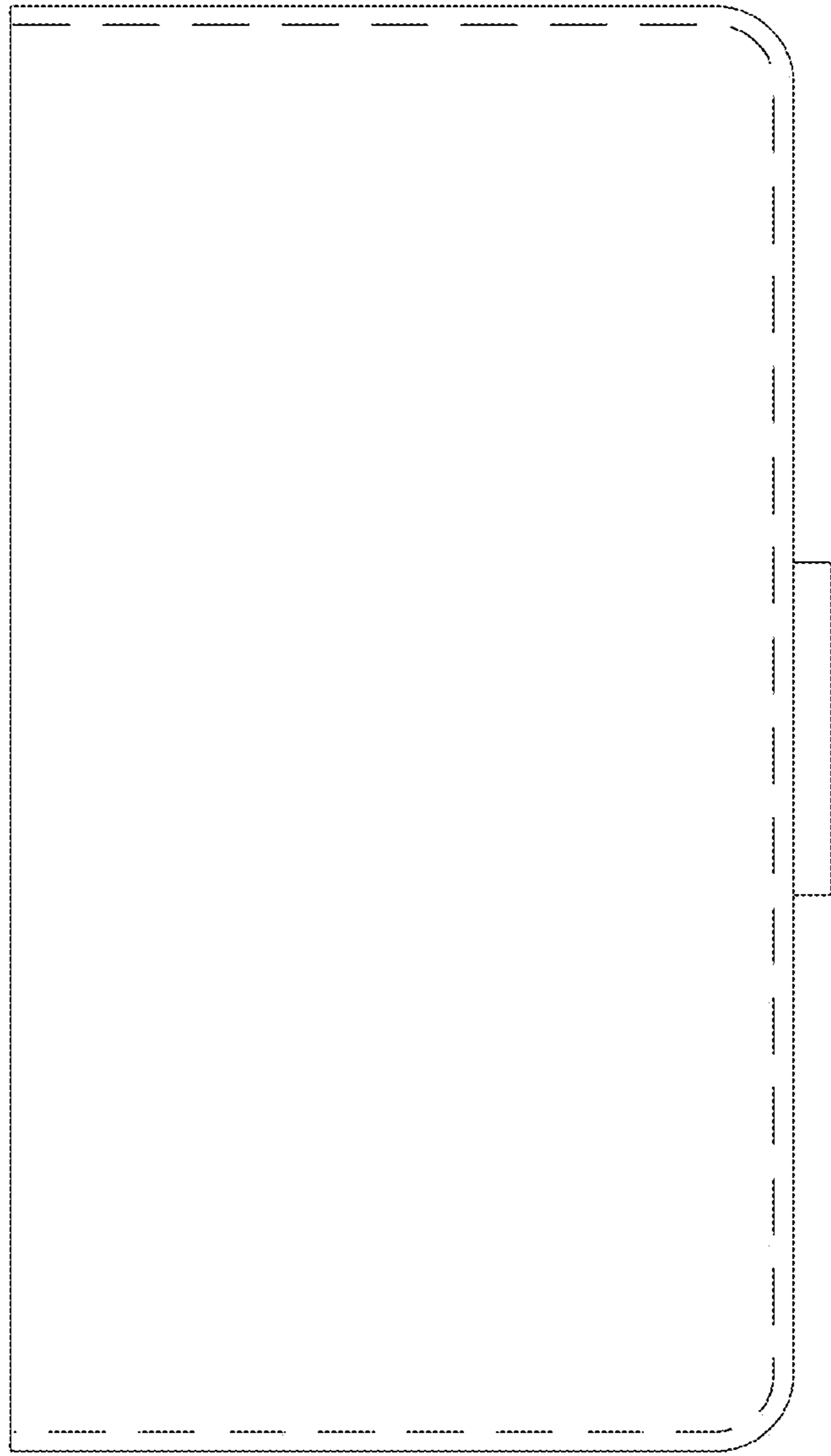


FIG.3

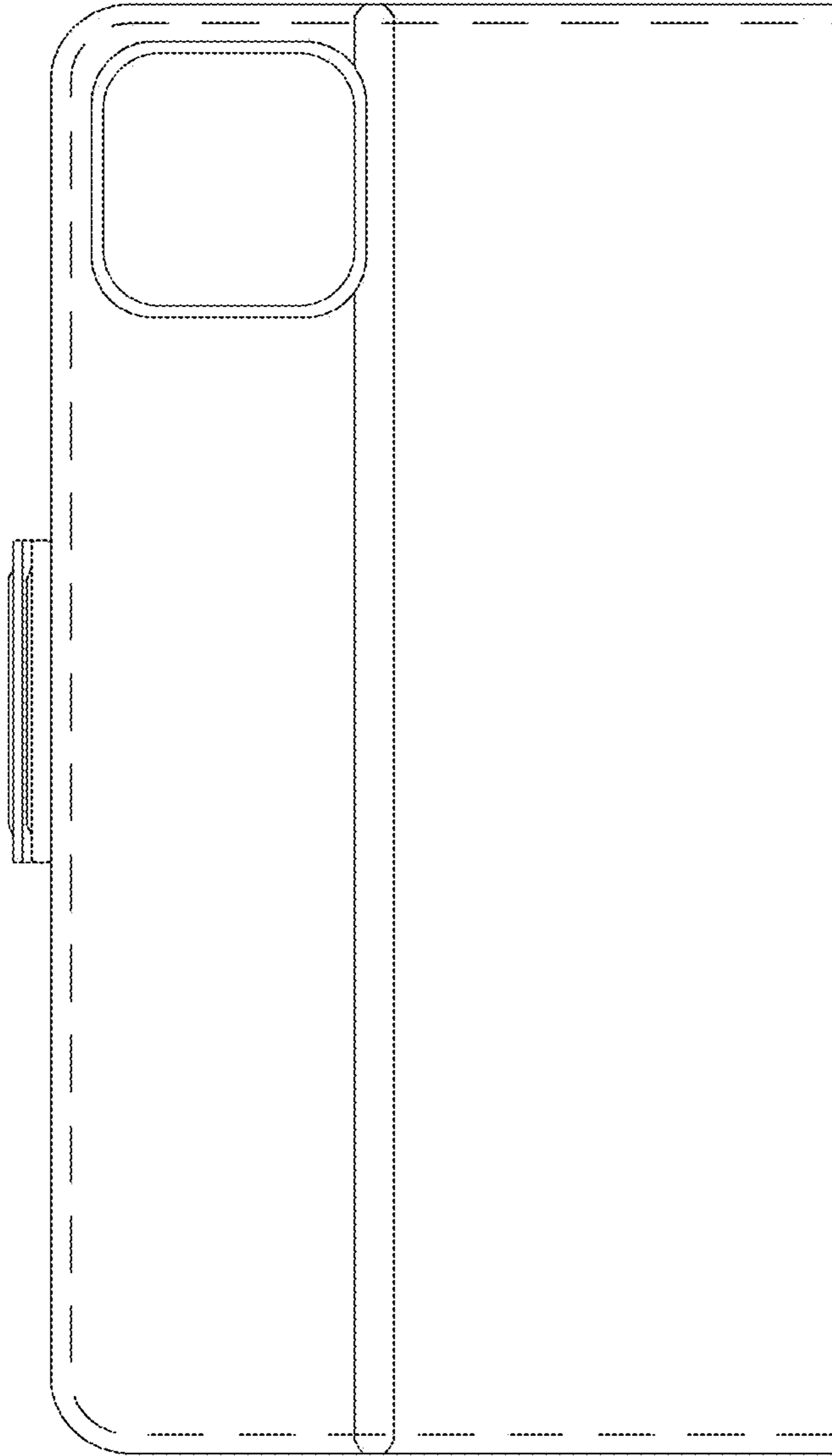


FIG. 4

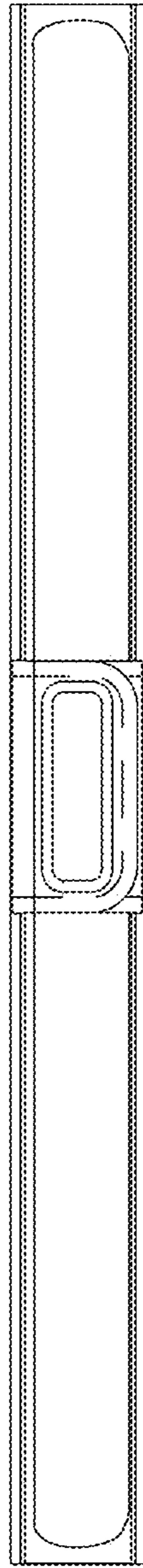


FIG.5



FIG.6

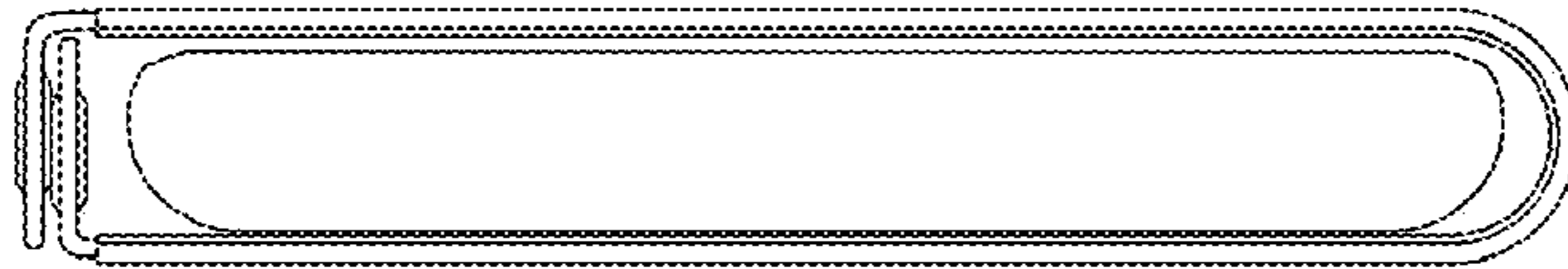


FIG.7

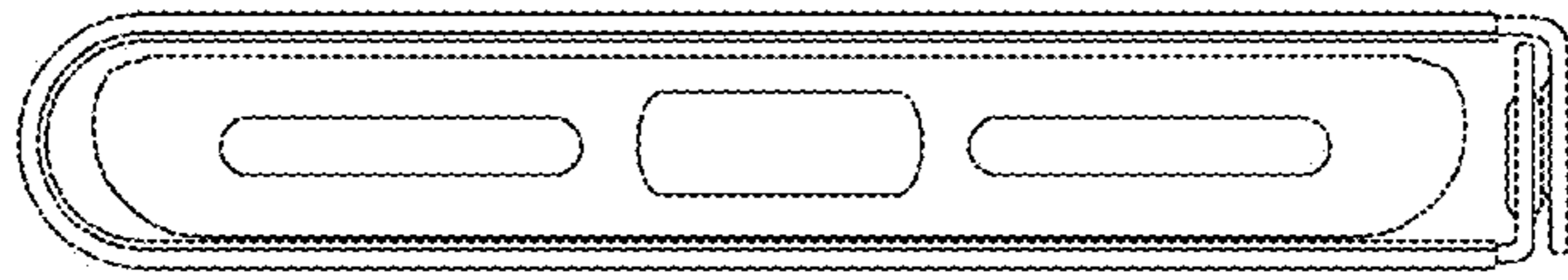


FIG. 8

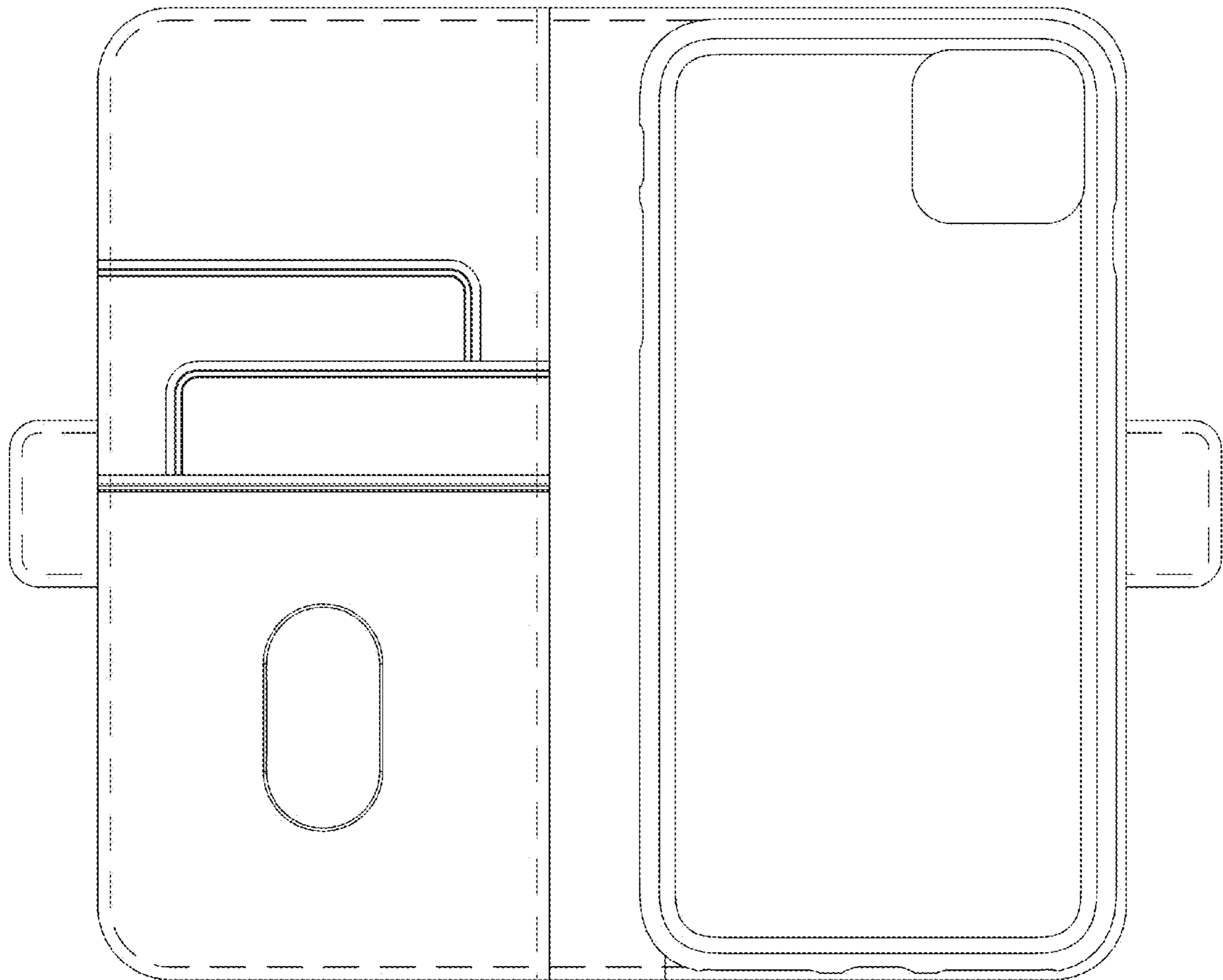


FIG.9

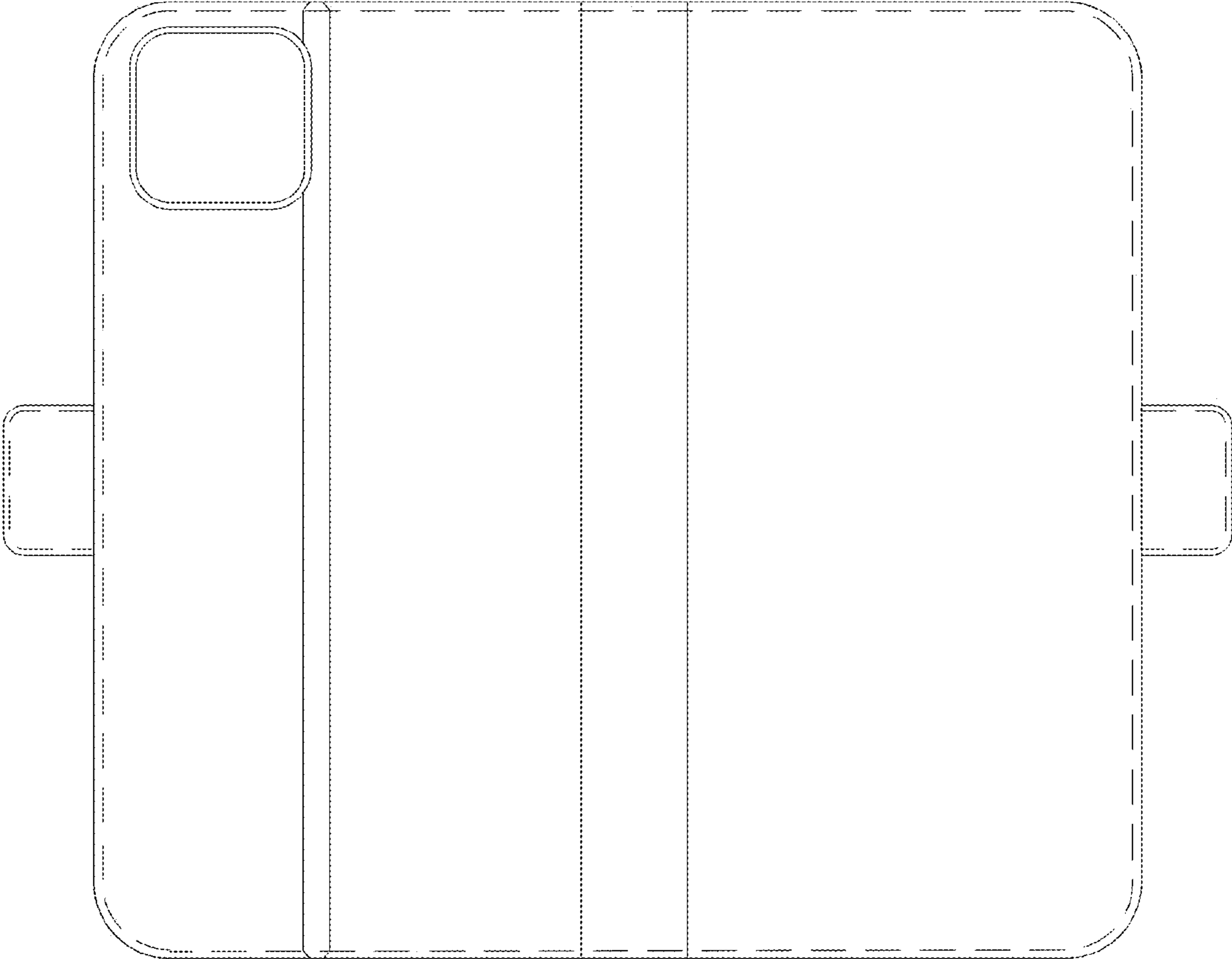


FIG.10