



US00D907624S

(12) **United States Design Patent** (10) **Patent No.:** **US D907,624 S**
Kim (45) **Date of Patent:** **** Jan. 12, 2021**

(54) **CASE FOR ELECTRONIC DEVICES**

- (71) Applicant: **SPIGEN KOREA CO., LTD.**, Seoul (KR)
- (72) Inventor: **Dae-Young Kim**, Seoul (KR)
- (73) Assignee: **SPIGEN KOREA CO., LTD.**, Seoul (KR)
- (**) Term: **15 Years**
- (21) Appl. No.: **29/696,835**
- (22) Filed: **Jul. 1, 2019**

Related U.S. Application Data

- (63) Continuation of application No. 29/561,293, filed on Apr. 14, 2016, now Pat. No. Des. 855,603.
- (51) **LOC (13) Cl.** **14-03**
- (52) **U.S. Cl.**
USPC **D14/250**
- (58) **Field of Classification Search**
USPC D3/201, 218, 226, 227, 247, 249, 250, D3/269, 303; D13/103, 107, 108, 119;
(Continued)

(56) **References Cited**

U.S. PATENT DOCUMENTS

- 2,425,945 A † 8/1947 Leach A61B 13/00
426/134
- 2,857,908 A † 11/1958 Cornfield A61B 13/00
426/134

(Continued)

FOREIGN PATENT DOCUMENTS

- KR 10-2012-0094878 † 8/2012

OTHER PUBLICATIONS

“Droid X Car Dock,”<http://phandroid.com/2010/06/23/droidxcardockaccessoriesrevealed/>, Downloaded Oct. 19, 2016, 4Page.†
(Continued)

Primary Examiner — Susan E Krakower
Assistant Examiner — L. A. Grabenstetter
(74) *Attorney, Agent, or Firm* — Heedong Chae; Lucem, PC

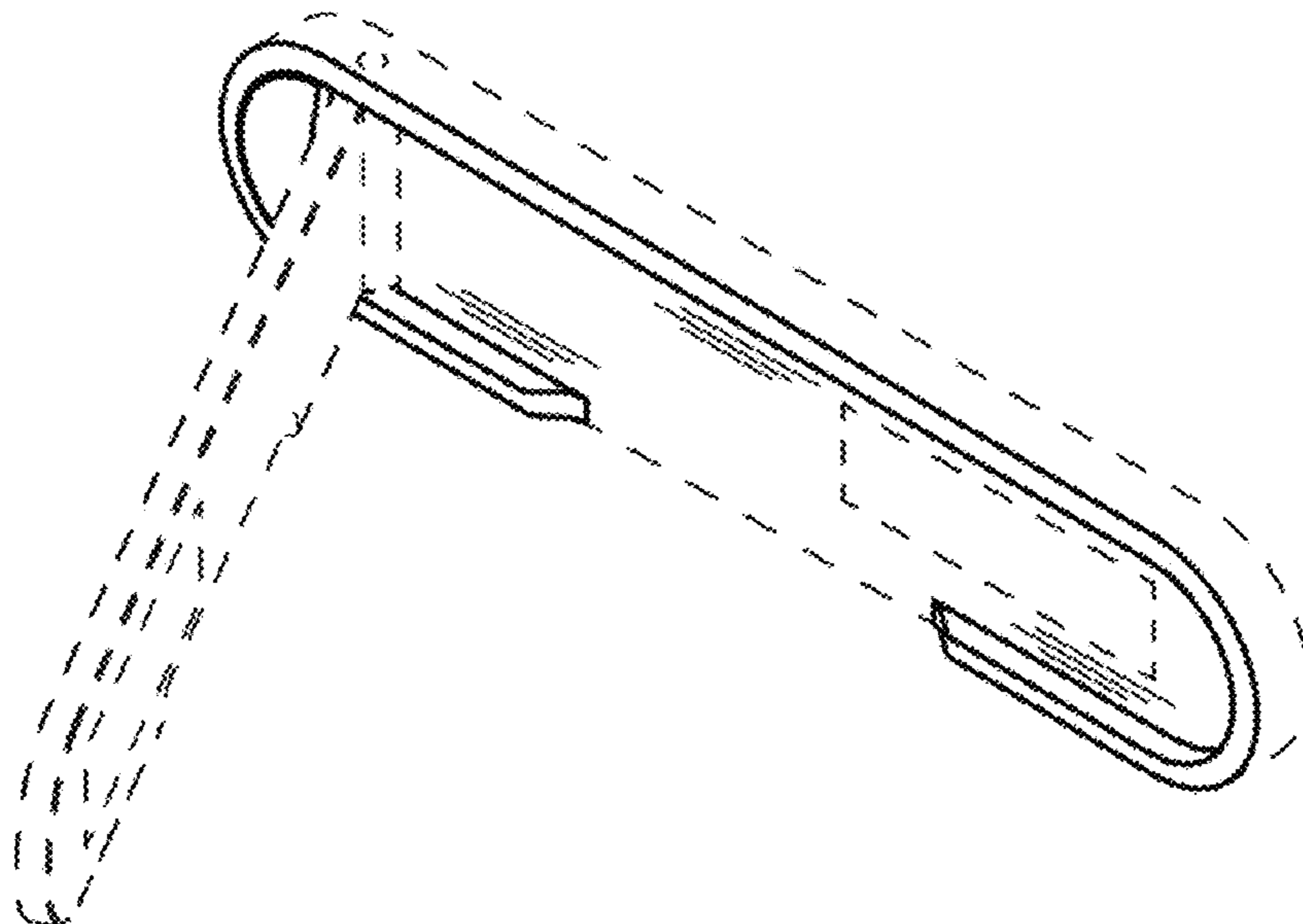
(57) **CLAIM**

The ornamental design for a case for electronic devices, as shown and described.

DESCRIPTION

FIG. 1 is a perspective view of a case for electronic devices showing my new design, wherein the support leg is in an open position;
 FIG. 2 is a front perspective view thereof;
 FIG. 3 is a rear elevational view thereof;
 FIG. 4 is a front elevational view thereof;
 FIG. 5 is a right side elevational view thereof;
 FIG. 6 is a left side elevational view thereof;
 FIG. 7 is a top plan view thereof;
 FIG. 8 is a bottom plan view thereof;
 FIG. 9 is a front perspective view of the support leg in an open position, shown separately for clarity of disclosure;
 FIG. 10 is a rear perspective view thereof;
 FIG. 11 is another front perspective view thereof;
 FIG. 12 is a rear perspective view of the case without the support leg;
 FIG. 13 is a front perspective view thereof;
 FIG. 14 is an exploded rear perspective view showing the support leg in an open position; and,
 FIG. 15 is a rear perspective view of the case with the support leg in a closed position.
 The broken lines depict portions of the case for electronic devices that form no part of the claimed design.

1 Claim, 15 Drawing Sheets



(58) **Field of Classification Search**

USPC D14/137, 138 R, 138 AA, 138 C, 138 G,
D14/172, 192, 203.3–203.7, 217, 238.1,
D14/247, 248, 250–253, 434, 440, 447,
D14/496

CPC H04B 1/3888; H04M 1/0283; H04M
1/0202; A45C 1/06; A45C 2011/002;
A45C 11/00; A45F 2005/028; A45F
2200/0525

See application file for complete search history.

2013/0286623 A1 10/2013 Slipy et al.
2015/0156297 A1 6/2015 Crawford et al.
2016/0101902 A1 4/2016 Kim
2016/0113368 A1 4/2016 Tu et al.

OTHER PUBLICATIONS

Body Glove Snap-On Case for the HTC Thunderbolt Review,
[http://www.androidcentral.com/](http://www.androidcentral.com/bodyglovesnapcasehtcthunderboltreview)

bodyglovesnapcasehtcthunderboltreview, Downloaded Oct. 19, 2016,
10Page.‡

“Case for HTC Thunderbolt with Extended Battery: Review of
Seidio Active Extended Case,” [http://webpieras.com/2011/06/16/](http://webpieras.com/2011/06/16/casehtcthunderboltextendedbattery/)
casehtcthunderboltextendedbattery/, Downloaded Oct. 19, 2016,
5Page.‡

“EVO3D Case with Kickstand,” [http://forums.androidcentral.com/](http://forums.androidcentral.com/htcevo3d/71171_evo3dcasekickstand.html)
htcevo3d/71171_evo3dcasekickstand.html, Downloaded Oct. 19,
2016, 8Page.‡

“HTC Desire HD Hard Case with Kickstand,” [http://www.mobilefun.](http://www.mobilefun.co.uk/htcdesirehdhardcasewithkickstandhck550p27766.htm)
co.uk/htcdesirehdhardcasewithkickstandhck550p27766.htm, Down-
loaded Oct. 19, 2016, 3Page.‡

“HTC EVO 3D Seidio Surface with Kickstand Case Review,”
<http://htcpedia.com>

HTCEvo3DcasereviewSeidioSURFACEwithKickstand/reviews/
htcevo3daccessories.html, Downloaded Oct. 19, 2016, 11 Page.‡

“HTC EVP 4G Case Review: HTC Hard Shell Case,” [http://www.](http://www.androidcentral.com/htcevo4gcasereviewhtchardshellcase)
androidcentral.com/htcevo4gcasereviewhtchardshellcase, Down-
loaded Oct. 19, 2016, 13Page.‡

“HTC EVO 4G Case Review: Otterbox Defender,” [http://www.](http://www.androidcentral.com/htcevo4gcasereviewotterboxdefender)
androidcentral.com/htcevo4gcasereviewotterboxdefender, Down-
loaded Oct. 19, 2016, 16Page.‡

“HTC EVO 4G Case Review: Trident cyclops Series,” [http://www.](http://www.androidcentral.com/htcevo4gcasereviewtridentcyclopsseries)
androidcentral.com/htcevo4gcasereviewtridentcyclopsseries, Down-
loaded Oct. 19, 2016, 5Page.‡

“HTC HD2 Extended Battery,” [http://www.itechnews.net/2010/01/](http://www.itechnews.net/2010/01/28/htchd2extendedbattery/)
28/htchd2extendedbattery/, Downloaded May 3, 2016, 2Page.‡

“iPod Touch 4 Case With Kickstand,” [http://www.avenueapple.com.](http://www.avenueapple.com/ipodtouch4casewithkickstand/)
com/ipodtouch4casewithkickstand/, Downloaded Oct. 19, 2016,
6Page.‡

“iPod Touch 4G Case With Chrome Kickstand,” [http://www.](http://www.avenueapple.com/ipodtouch4gcasewithchromekickstand/)
avenueapple.com/ipodtouch4gcasewithchromekickstand/, Down-
loaded Oct. 19, 2016, 5Page.‡

“LG CCH-120 Kick Stand Hard Case—LG Optimus 2X,” [http://](http://www.mobilefun.co.uk/Igcch120kickstandhardcaselgooptimus2xp27952.htm)
www.mobilefun.co.uk/Igcch120kickstandhardcaselgooptimus2xp27952.
htm, Downloaded Oct. 19, 2016, 3Page.‡

“Video Review: Macally Kickstand for The iPhone 4,” [http://appaddict.](http://appaddict.net/2010/07/03/videoreviewmacallykickstandfortheiphone4/)
net/2010/07/03/videoreviewmacallykickstandfortheiphone4/, Down-
loaded Oct. 19, 2016, 4Page.‡

“Mugen POWER5400MAH Extended XL Battery Back Door Samsung
Galaxy Note White ATT4,” [http://www.ebay.com/itm/MUGENPO](http://www.ebay.com/itm/MUGENPOWER5400mAhEXTENDEDXLBATTERYBACKDOORSAMSUNGALAXYNOTEWHITEATT/270963466305/)
WER5400mAhEXTENDEDXLBATTERYBACKDOORSAMSUN
GGALAXYNOTEWHITEATT/270963466305/, Downloaded May
3, 2016, 3Page.‡

“MYBAT Natural Gray/Black TUFF Hybrid Phone Protector Cover
(with Stand),” [https://www.2valor.com/product/](https://www.2valor.com/product/productinfo.aspx?pid=73296)
productinfo.aspx?
pid=73296, Downloaded Oct. 14, 2016, 2Page.‡

“NXE Recline Case for iPhone 4,” [http://thegadgeteer.com/2011/](http://thegadgeteer.com/2011/03/14/nxereclinecaseforiphone4/)
03/14/nxereclinecaseforiphone4/, Downloaded Oct. 19, 2016, 6Page.‡

“NXE Recline iPhone 4 Case with Practical Stand,” [http://gadgets.in.](http://gadgets.in.com/nxereclineiphone4casewithpracticalstand.htm)
com/nxereclineiphone4casewithpracticalstand.htm, Downloaded Oct.
19, 2016, 5Page.‡

“OtterBox Defender Case for HTC Thunderbolt Smartphone Review,”
[http://www.legitreviews.com/otterboxdefendercaseforhtthunderbolt](http://www.legitreviews.com/otterboxdefendercaseforhtthunderbolt-smartphonereview_1648/4)
smartphonereview_1648/4, Downloaded Oct. 19, 2016, 5Page.‡

“Quick Look: HTC Kickstand Case for HTC Inspire 4G& HD,” [http://htcpedia.com/news/](http://htcpedia.com/news/htcdesirehdinspire4gkickstandcase.html)
htcdesirehdinspire4gkickstandcase.html, Downloaded Oct. 19, 2016,
3Page.‡

“Seidio Active Case(with metal kickstand) for HTC One X,”
<https://www.youtube.com/watch?v=W5EGPgGw7Hw>, Down-
loaded Oct. 14, 2016, 3Page.‡

(56) **References Cited**

U.S. PATENT DOCUMENTS

D334,828 S ‡ 4/1993 Kiyokane D1/102
7,301,759 B2 ‡ 11/2007 Hsiung
D559,230 S ‡ 1/2008 Griffin et al.
D583,572 S ‡ 12/2008 Zhai et al.
D590,386 S ‡ 4/2009 Leith et al.
7,841,575 B1 11/2010 Sliger
D634,741 S 3/2011 Richardson et al.
D644,428 S 9/2011 Feng
D644,647 S ‡ 9/2011 Sykes D14/447
D646,267 S ‡ 10/2011 Salzedo D14/253
D663,263 S ‡ 7/2012 Gupta et al.
D663,294 S ‡ 7/2012 Buxton
8,243,428 B2 ‡ 8/2012 Fu
D669,482 S ‡ 10/2012 Hu D14/447
D675,197 S 1/2013 Losiewicz
D679,271 S ‡ 4/2013 Liu
D681,615 S 5/2013 Fathollahi
D686,623 S 7/2013 Bennett, Jr. et al.
8,514,568 B2 ‡ 8/2013 Qiao F16M 11/10
248/917
D690,305 S ‡ 9/2013 Wen
D692,899 S ‡ 11/2013 Bremerkamp D14/447
D706,254 S ‡ 6/2014 Chang D14/21
D706,516 S ‡ 6/2014 Caglia D1/105
8,820,525 B1 9/2014 Zanxiang
8,897,033 B2 * 11/2014 Slipy H04M 1/0202
248/70
8,960,630 B2 ‡ 2/2015 Fu F16M 11/10
248/371
8,964,382 B2 2/2015 Ashcraft et al.
D723,536 S 3/2015 Werth
D732,543 S ‡ 6/2015 Westrup D14/44
D745,511 S 12/2015 Lee et al.
D745,512 S 12/2015 Lee et al.
D746,821 S 1/2016 Oakley
9,229,477 B2 * 1/2016 Morrison G06F 1/1626
D749,594 S 2/2016 Kim et al.
D756,911 S 5/2016 Gupta et al.
D763,239 S ‡ 8/2016 Chan D14/250
D769,865 S 10/2016 Oakley
D776,104 S 1/2017 Tien
D780,166 S 2/2017 Lin
D780,167 S 2/2017 Tien
9,641,212 B1 * 5/2017 Tien A45C 11/00
9,660,683 B2 5/2017 Tien
9,723,735 B1 ‡ 8/2017 Kim F16M 13/00
D815,082 S * 4/2018 Kim D14/250
D818,463 S * 5/2018 Kim D14/250
D854,530 S * 7/2019 Kim D14/250
D855,603 S * 8/2019 Kim D14/250
D855,604 S * 8/2019 Kim D14/250
D855,605 S * 8/2019 Kim D14/250
D855,606 S * 8/2019 Kim D14/250
2010/0171671 A1 ‡ 7/2010 Park F16M 11/10
343/720
2011/0164358 A1 ‡ 7/2011 Duan et al.
2012/0168577 A1 * 7/2012 Cheng F16M 11/105
248/176.3
2013/0077211 A1 ‡ 3/2013 Wang
2013/0229100 A1 * 9/2013 Siddiqui G06F 1/1618
312/326

(56)

References Cited

OTHER PUBLICATIONS

“Seidio SURFACE Case with Kickstand for HTC EVO 3D-1 Pack-Case—Retail Packaging—Black,”<https://www.amazon.com/SeidioSURFACECasKickstandHTC/dp/B005EE040A>, Downloaded Oct. 19, 2016, 6Page.‡

“Trident Case Kracken,”<http://www.tekgoblin.com/2011/09/04/tridentcasekrakenireviewforiphone4/>, Downloaded Oct. 19, 2016, 5Page.‡

“iPhone 6S Case,” https://www.amazon.com/iPhoneShieldKickstandCrystalProtection/dp/B014QDKKMY/ref=sr_1_2?ie=UTF8&qid=1473199610&sr=82&keywords=obliq+iph..., Downloaded Sep. 7, 2016, 9Page.‡

“Case for HTC Thunderbolt with Extended Battery: Review of Seidio Active Extended Case,”<http://webpiera.com/2011/06/16/casehtcthunderboltextendedbattery/>, Downloaded Oct. 19,2016, 5Page.

“HTC Desire HD Hard Case with Kickstand,”<http://www.mobilefun.co.uk/htcdesirehdhardcasewithkickstandhck550p27766.htm>, Downloaded Oct. 19,2016, 3Page.

“HTC EVO 3D Seidio Surface with Kickstand Case Review,”<http://htcpedia.com/HTCEvo3DcasereviewSeidioSurfacewithKickstand/eviews/htcevo3daccessories.html>, Downloaded Oct. 19,2016, 11Page.

“HTC EVO 4G Case Review: HTC Hard Shell Case,”<http://www.androidcentral.com/htcevo4gcasereviewhtchardshellcase>, Downloaded Oct. 19, 2016, 13Page.

“HTC EVO 4G Case Review: Trident cyclops Series,”<http://www.androidcentral.com/htcevo4gcasereviewtridentcyclopsseries>, Downloaded Oct. 19, 2016, 5Page.

“HTC I-ID2 Extended Battery,”<http://www.itechnews.net/2010/01/28/htchd2extendedbattery/>, Downloaded May 33,2016, 2Page.

“OtterBox Defender Case for HTC Thunderbolt Smartphone Review,”http://www.legitreviews.com/otterboxdefendercaseforhtcthunderboltsmartphonereview_1648/4, Downloaded Oct. 19,2016, 5Page.

“Quick Look: HTC Kickstand Case for HTC Inspire 4G& HTC Desire HD,”<http://htcpedia.com/news/htcdesirehdinspire4gkickstandcase.html>, Downloaded Oct. 19,2016, 3Page.

“Seidio Surface Case with Kickstand for HTC EVO 3D-1 Pack-Case-Retail Packaging-Black,”<https://www.amazon.com/SeidioSurfaceCaseKickstandHTC/dp/B005EEO40A>, Downloaded Oct. 19,2016, 6Page.

“iPhone 6S Case,” https://www.amazon.com/iPhoneShieldKickstandCrystalProtection/dp/B014QDKKMY/ref=sr_1_2?ie=UTF8&qid=1473199610&sr=82&keywords=obliq+iph..., Downloaded Sep. 7, 2016, 9 Pages.

* cited by examiner

‡ imported from a related application

FIG. 1

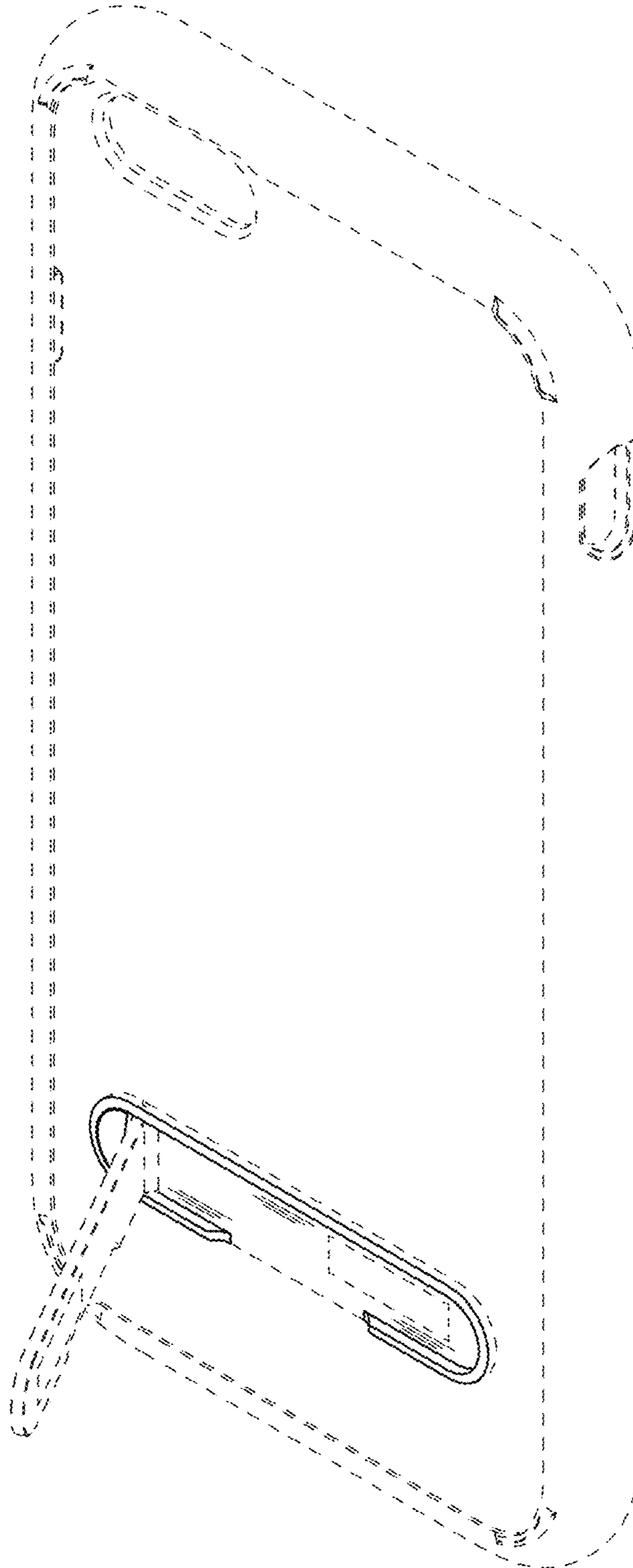


FIG. 2

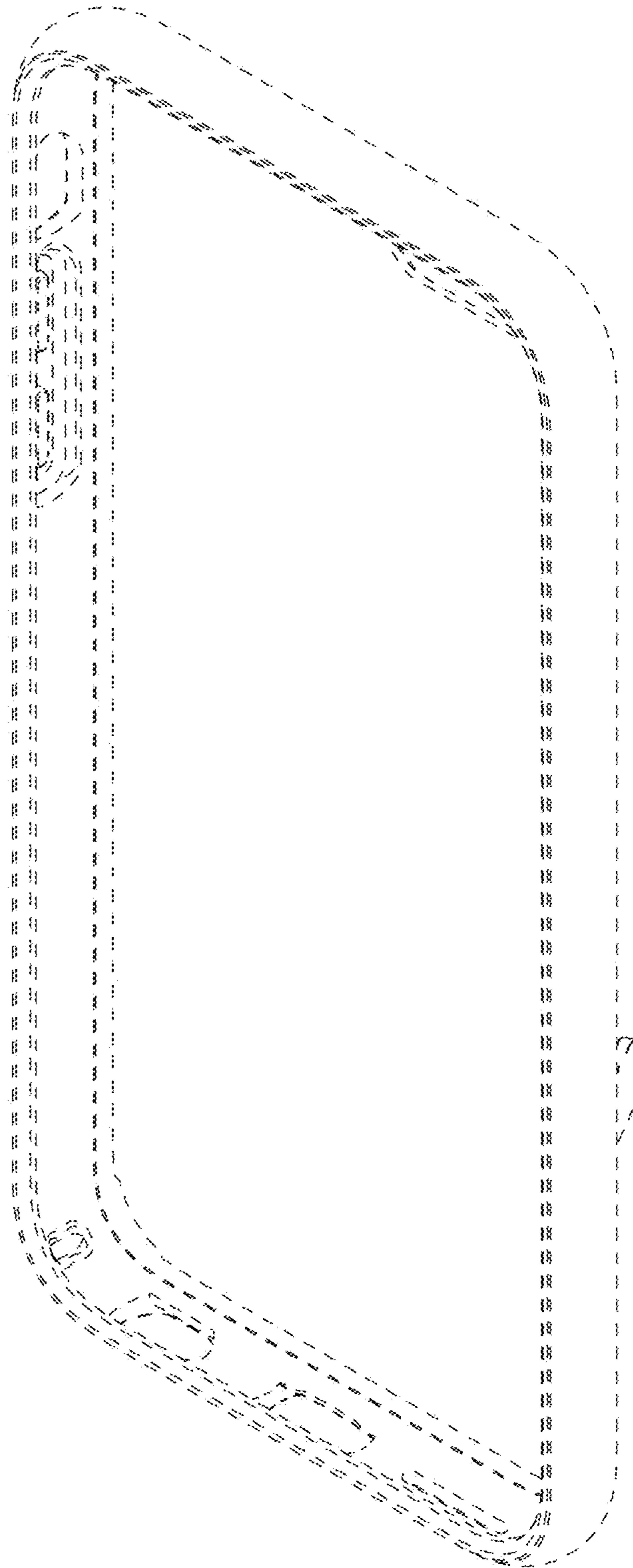


FIG. 3

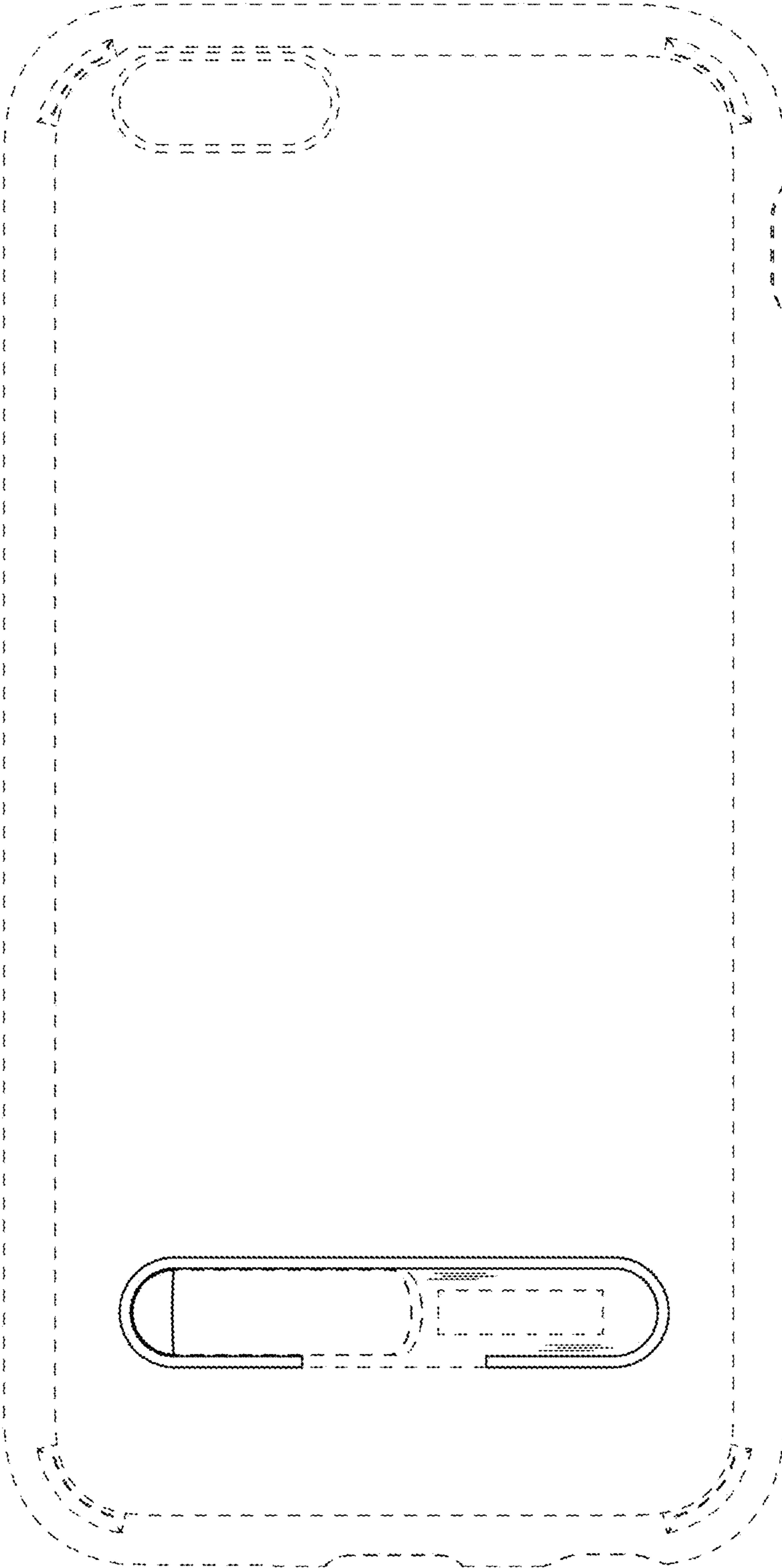


FIG. 4

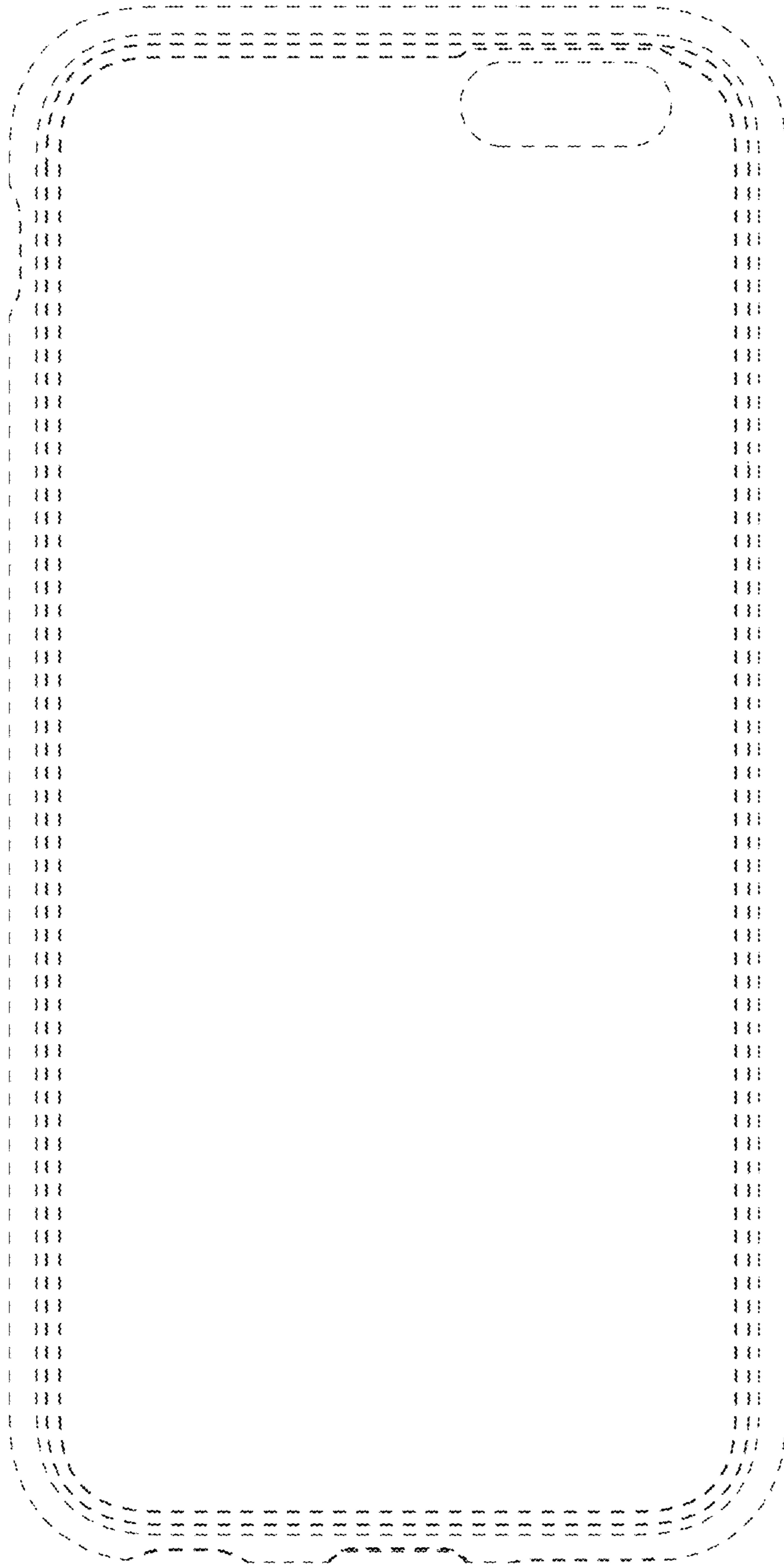


FIG. 5

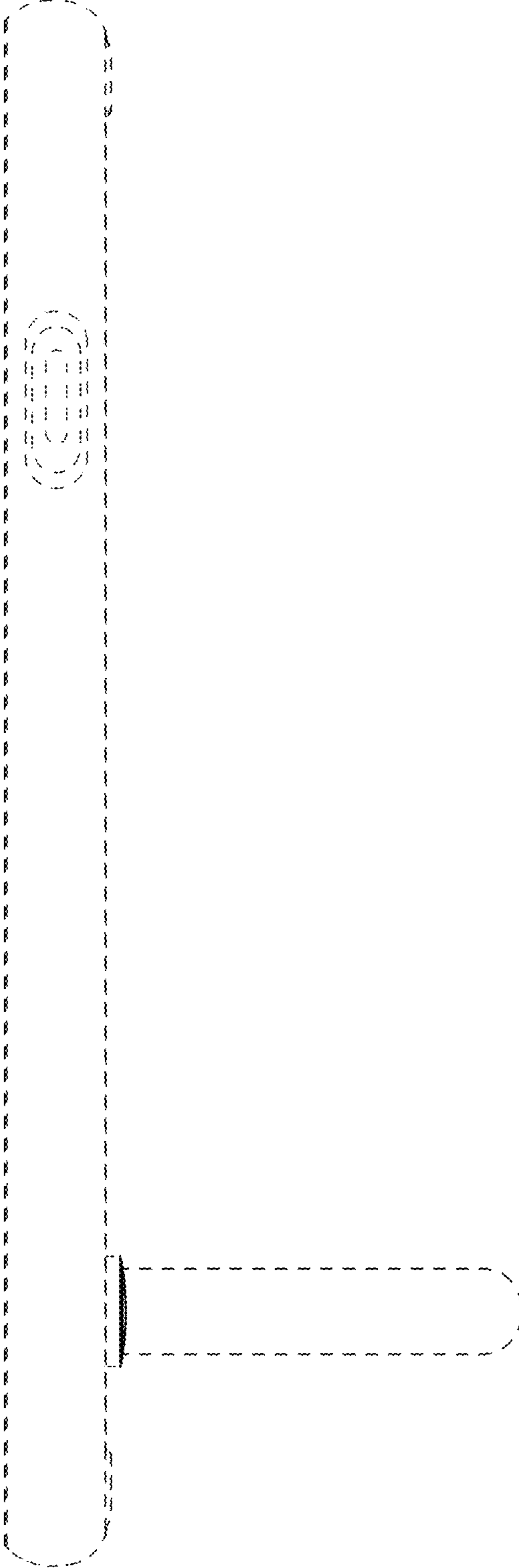


FIG. 6



FIG. 7

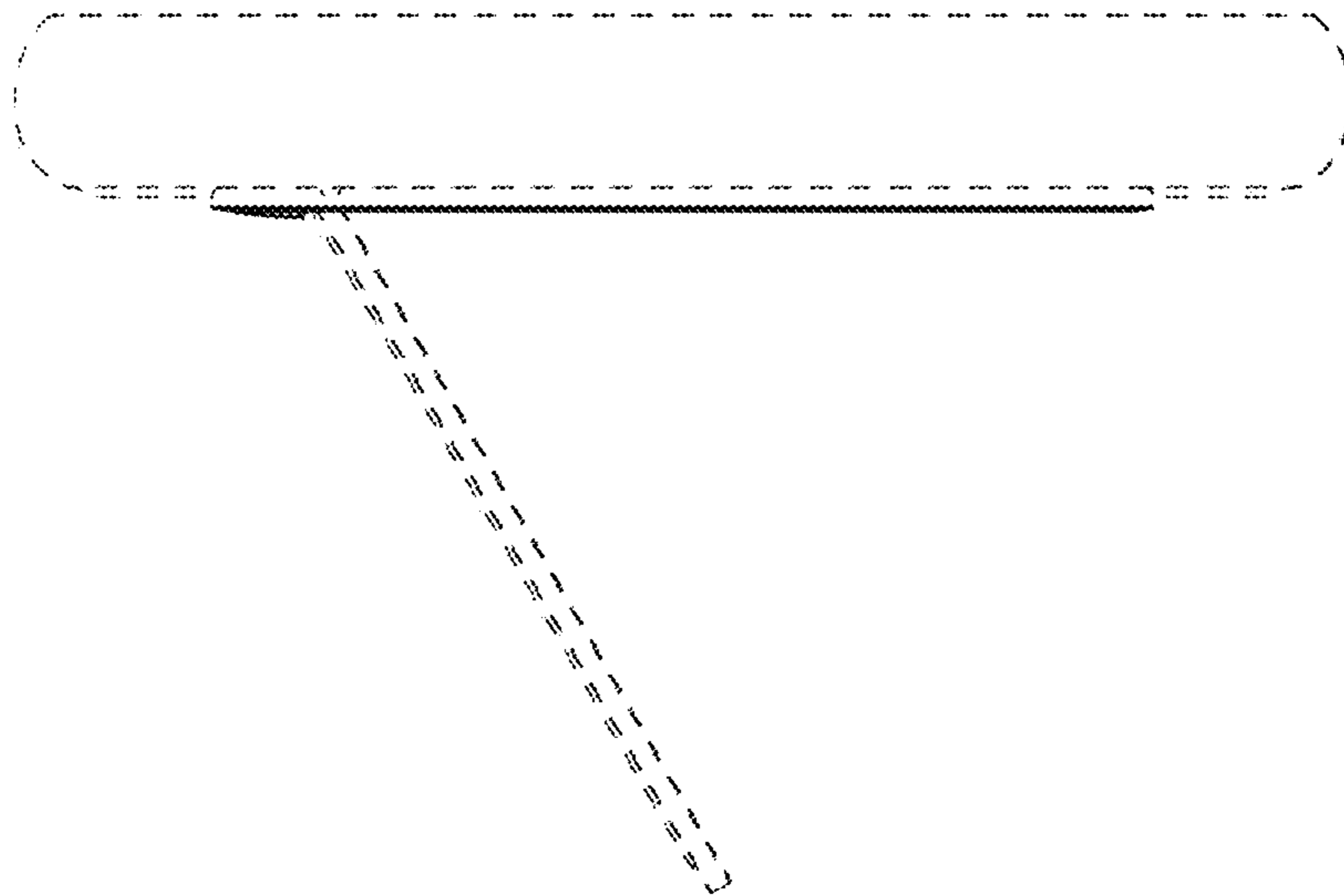


FIG. 8

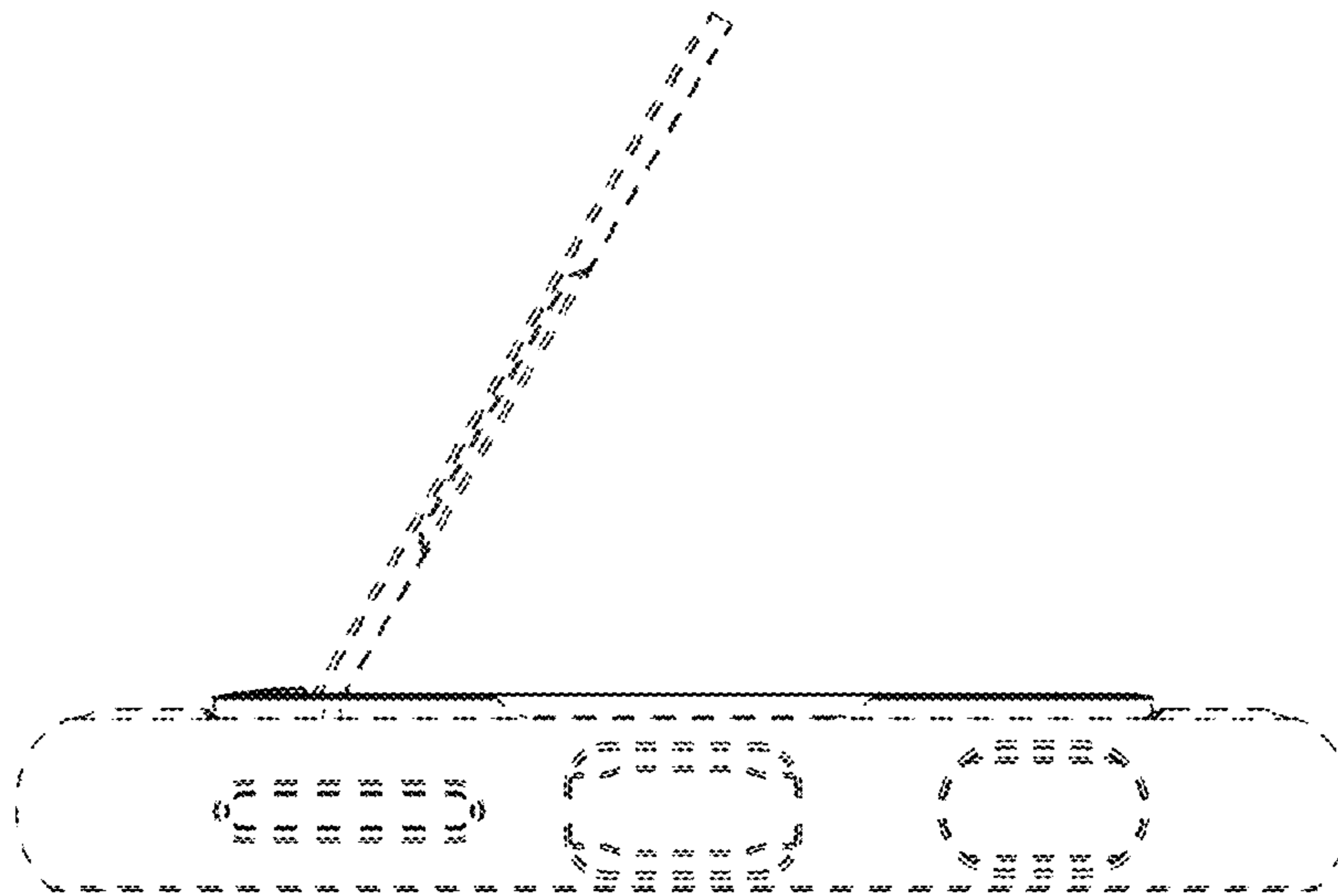


FIG. 9

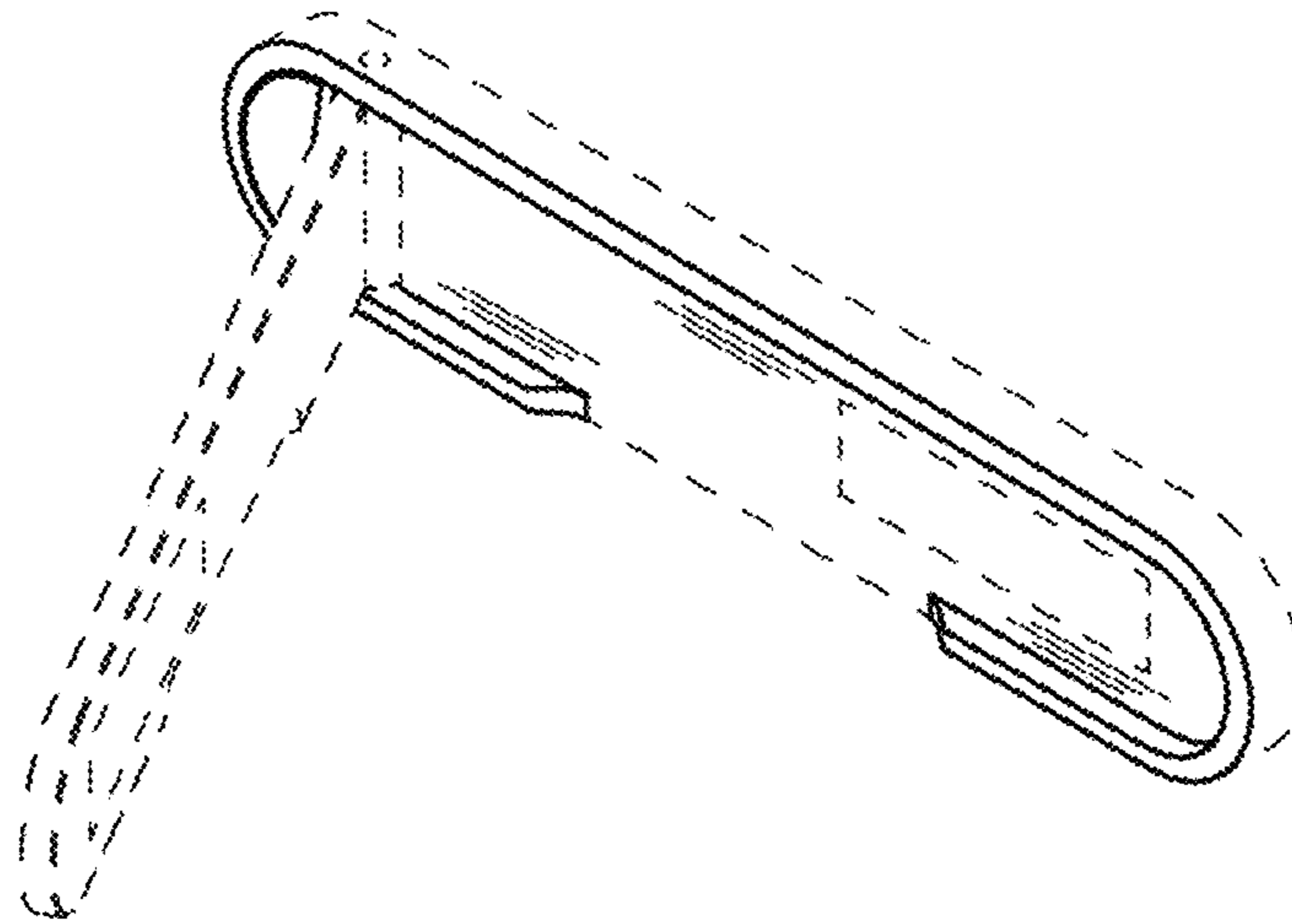


FIG. 10

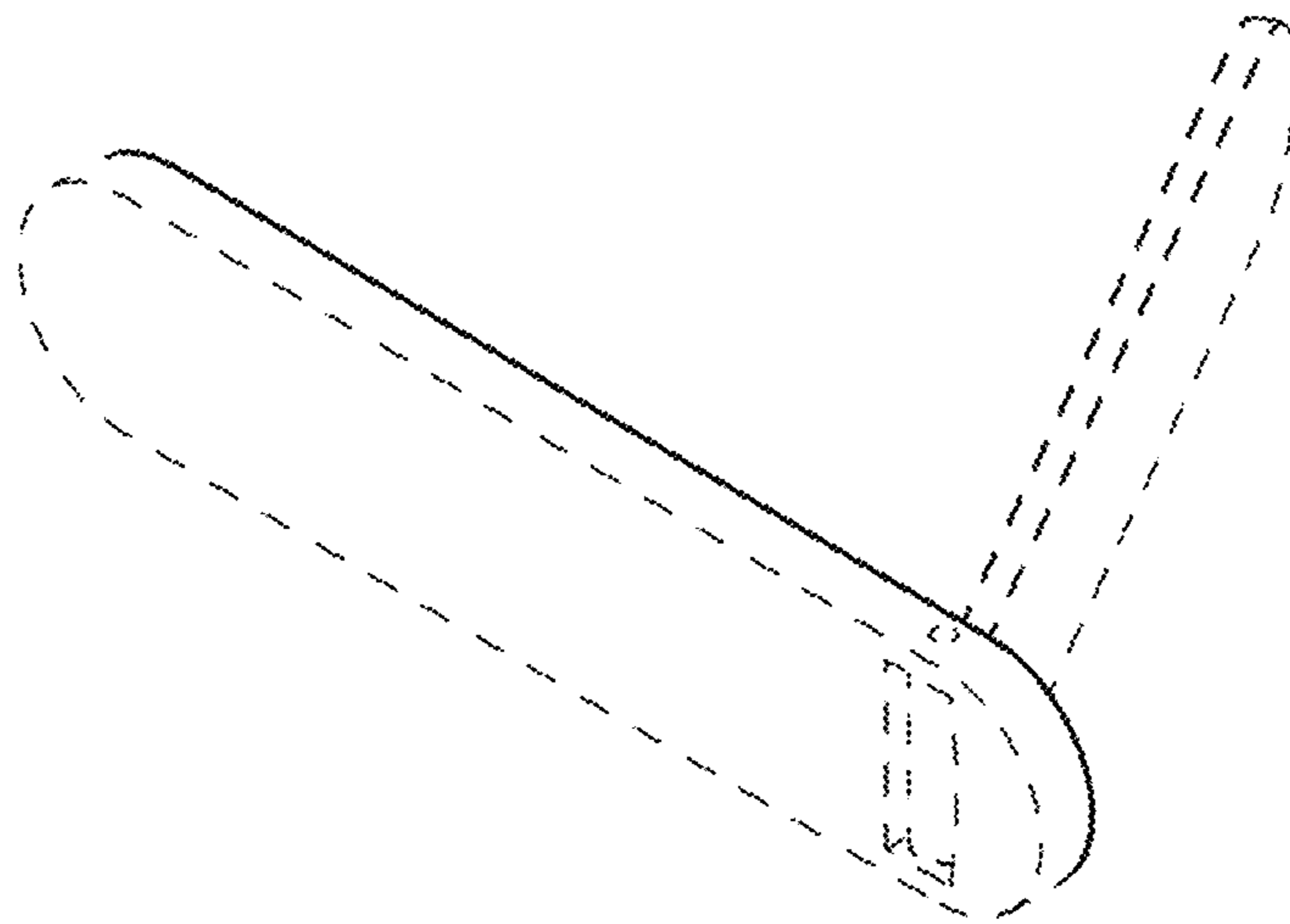


FIG. 11

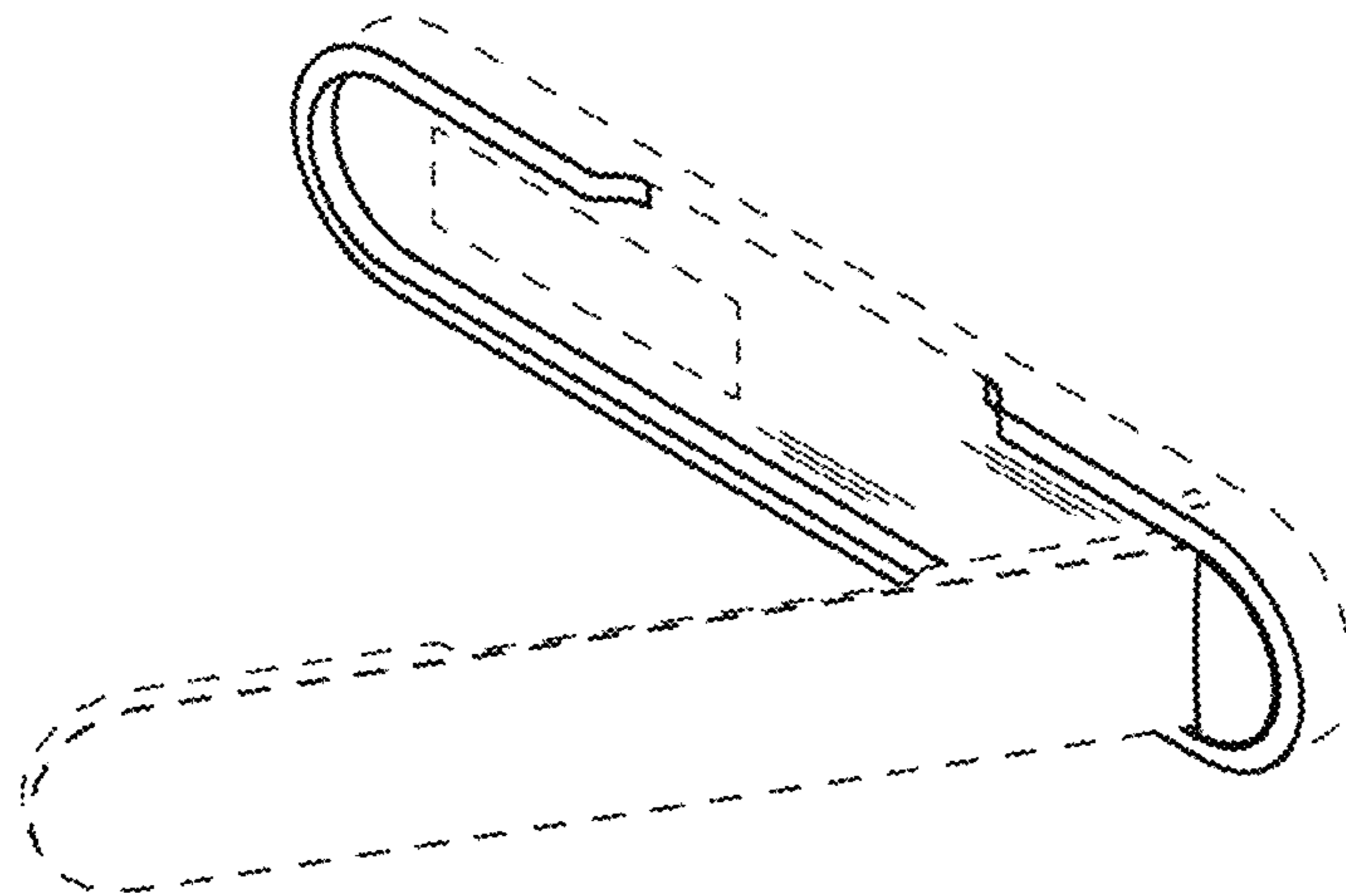


FIG. 12

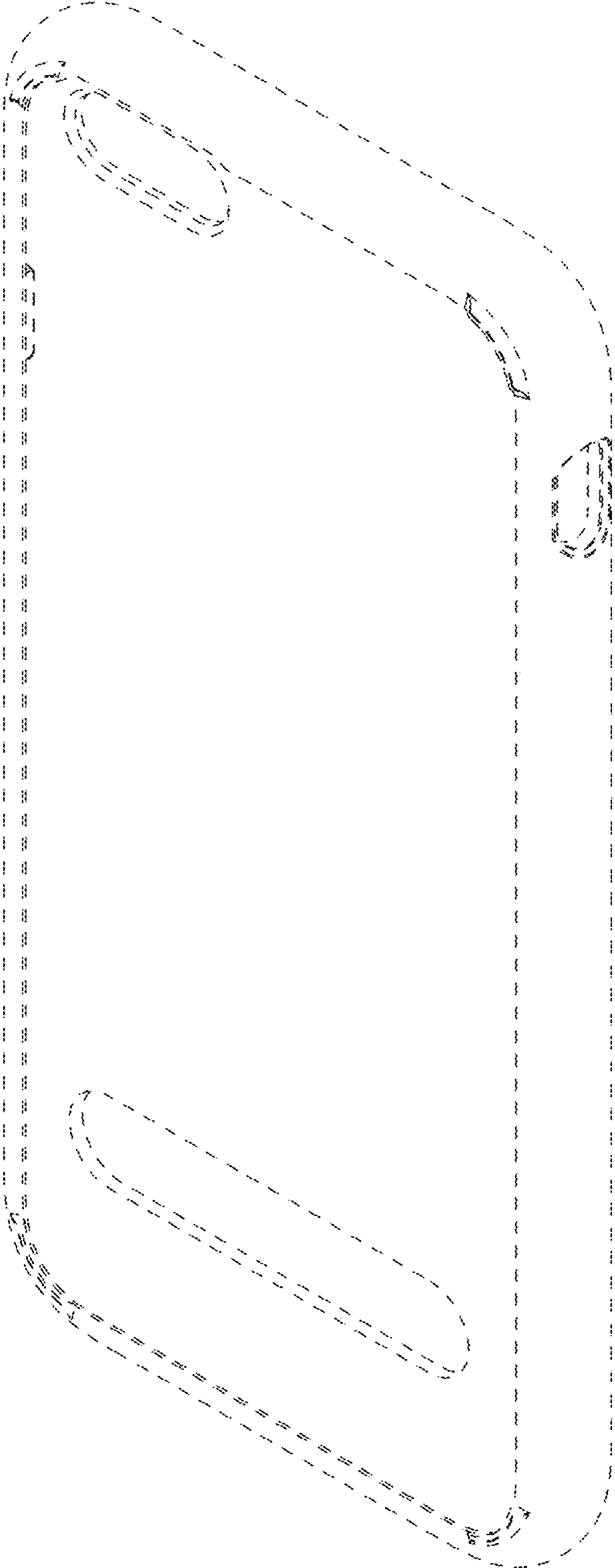


FIG. 13

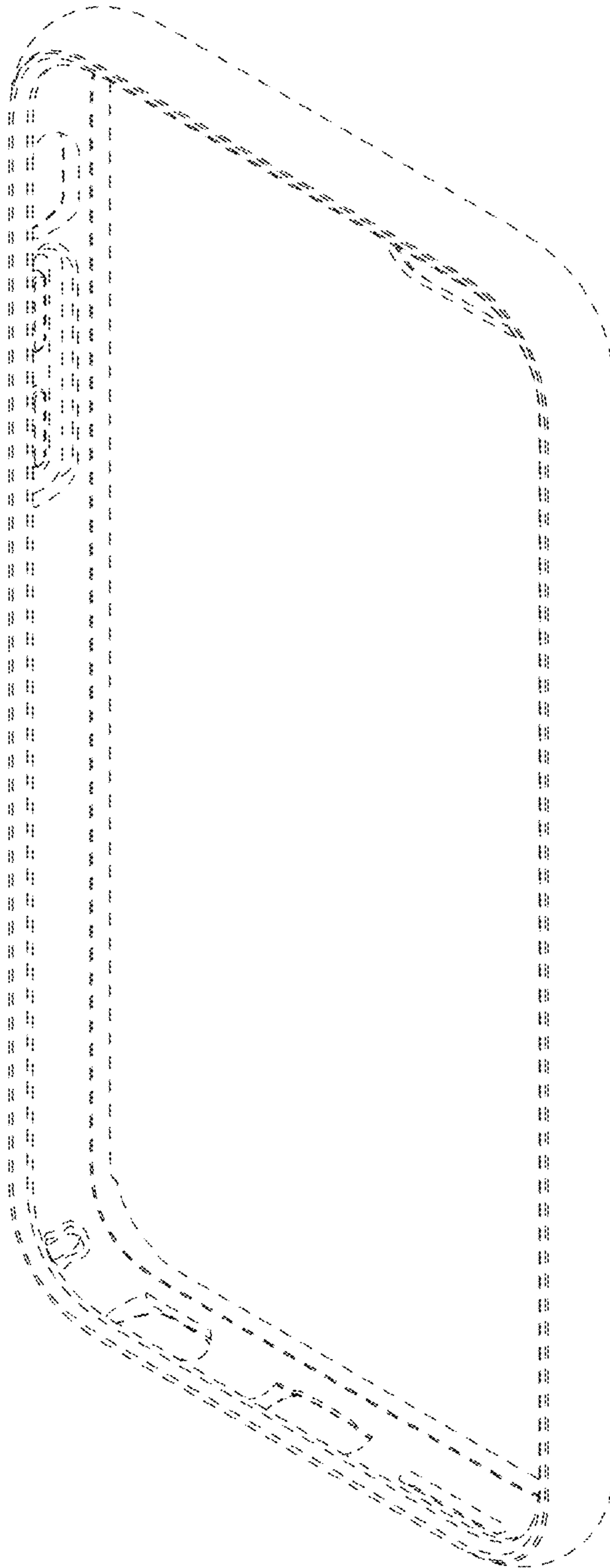


FIG. 14

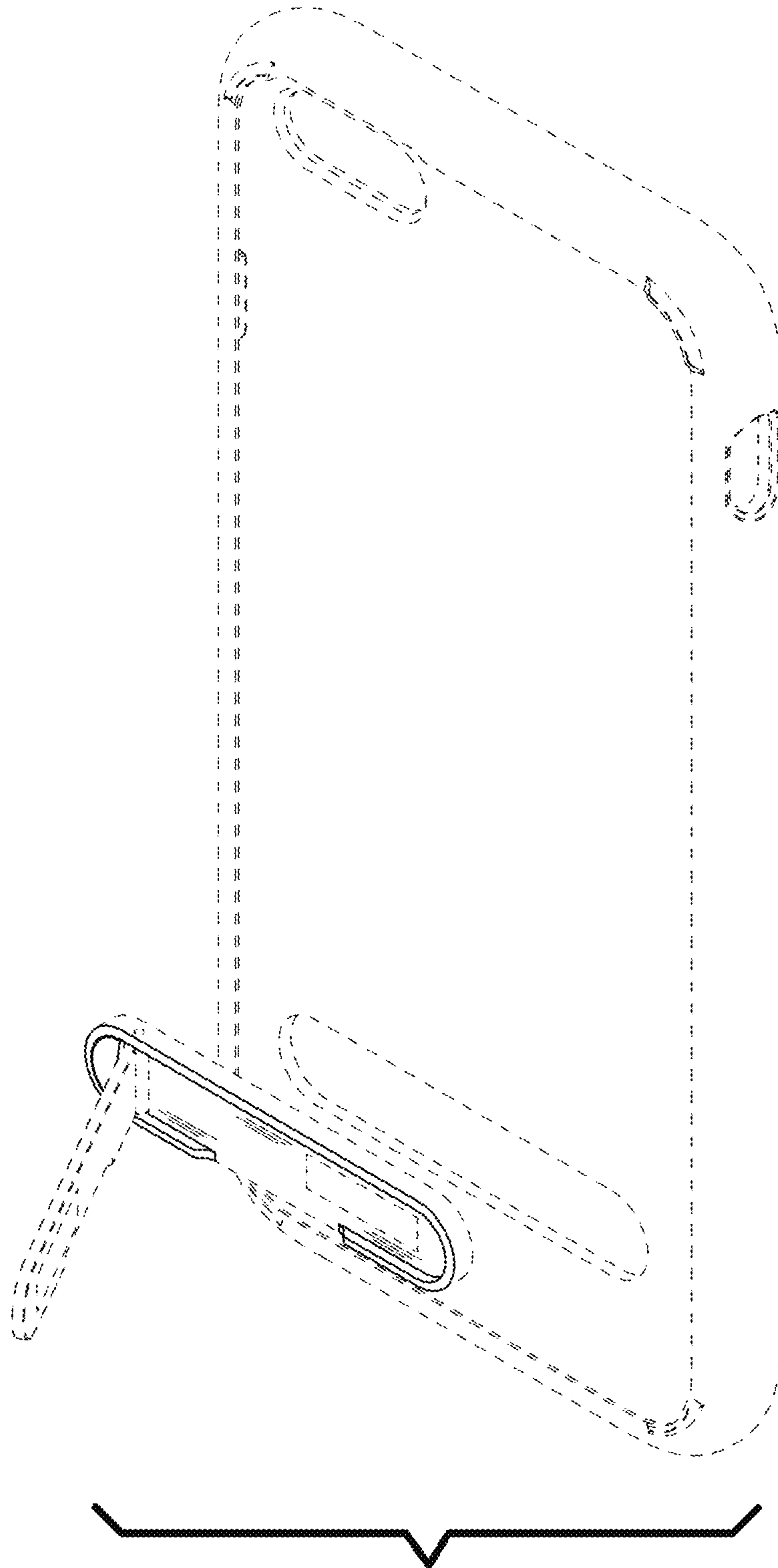


FIG. 15

