



US00D907620S

(12) **United States Design Patent** (10) **Patent No.:** **US D907,620 S**
Miksch et al. (45) **Date of Patent:** **** Jan. 12, 2021**

- (54) **CASE FOR A SMARTPHONE**
- (71) Applicant: **OTTER PRODUCTS, LLC**, Fort Collins, CO (US)
- (72) Inventors: **Jonathan Miksch**, Fort Collins, CO (US); **Nathan Northrup**, Fort Collins, CO (US); **Jonathan B. Rayeski**, Fort Collins, CO (US)
- (73) Assignee: **Otter Products, LLC**, Fort Collins, CO (US)

- D617,785 S 6/2010 Richardson et al.
- D617,786 S 6/2010 Richardson et al.
- D617,787 S 6/2010 Richardson et al.
- D619,574 S 7/2010 Richardson et al.
- D620,487 S 7/2010 Richardson et al.
- D620,931 S * 8/2010 Opman D14/250
- D621,394 S 8/2010 Richardson et al.
- D621,395 S 8/2010 Richardson et al.
- D621,821 S 8/2010 Richardson et al.
- D621,822 S 8/2010 Richardson et al.
- D623,179 S 9/2010 Richardson et al.
- D623,638 S 9/2010 Richardson et al.
- D624,533 S 9/2010 Richardson et al.

(Continued)

(**) Term: **15 Years**

(21) Appl. No.: **29/664,664**

(22) Filed: **Sep. 27, 2018**

(51) **LOC (13) Cl.** **14-03**

(52) **U.S. Cl.**
USPC **D14/250**

(58) **Field of Classification Search**
USPC D14/203.3-203.7, 439, 251-253, 447, D14/217, 240, 238.1, 250, 440, 248; D13/103, 107-108, 119; D3/201, 218, D3/247, 249, 269, 273, 301, 303
CPC H04B 1/3888; H04M 1/0283; H04M 1/0202; A45C 1/06; A45C 11/00; A45C 13/02; A45C 2011/002; A45F 2005/026; A45F 2200/0525; A45F 2200/0516
See application file for complete search history.

(56) **References Cited**

U.S. PATENT DOCUMENTS

- D528,110 S 9/2006 Cohn
- D551,856 S 10/2007 Ko et al.
- D556,681 S 12/2007 Kim
- D606,305 S 12/2009 Lee et al.
- D615,077 S 5/2010 Richardson et al.
- D615,536 S 5/2010 Richardson et al.
- D615,967 S 5/2010 Richardson et al.

OTHER PUBLICATIONS

Marc Lagace, "Best Cases for Moto Z3 Play," dated Jul. 2, 2018, downloaded from www.androidcentral.com/best-cases-moto-z3-play Sep. 27, 2018, 9 pages.

(Continued)

Primary Examiner — Carla J Wright

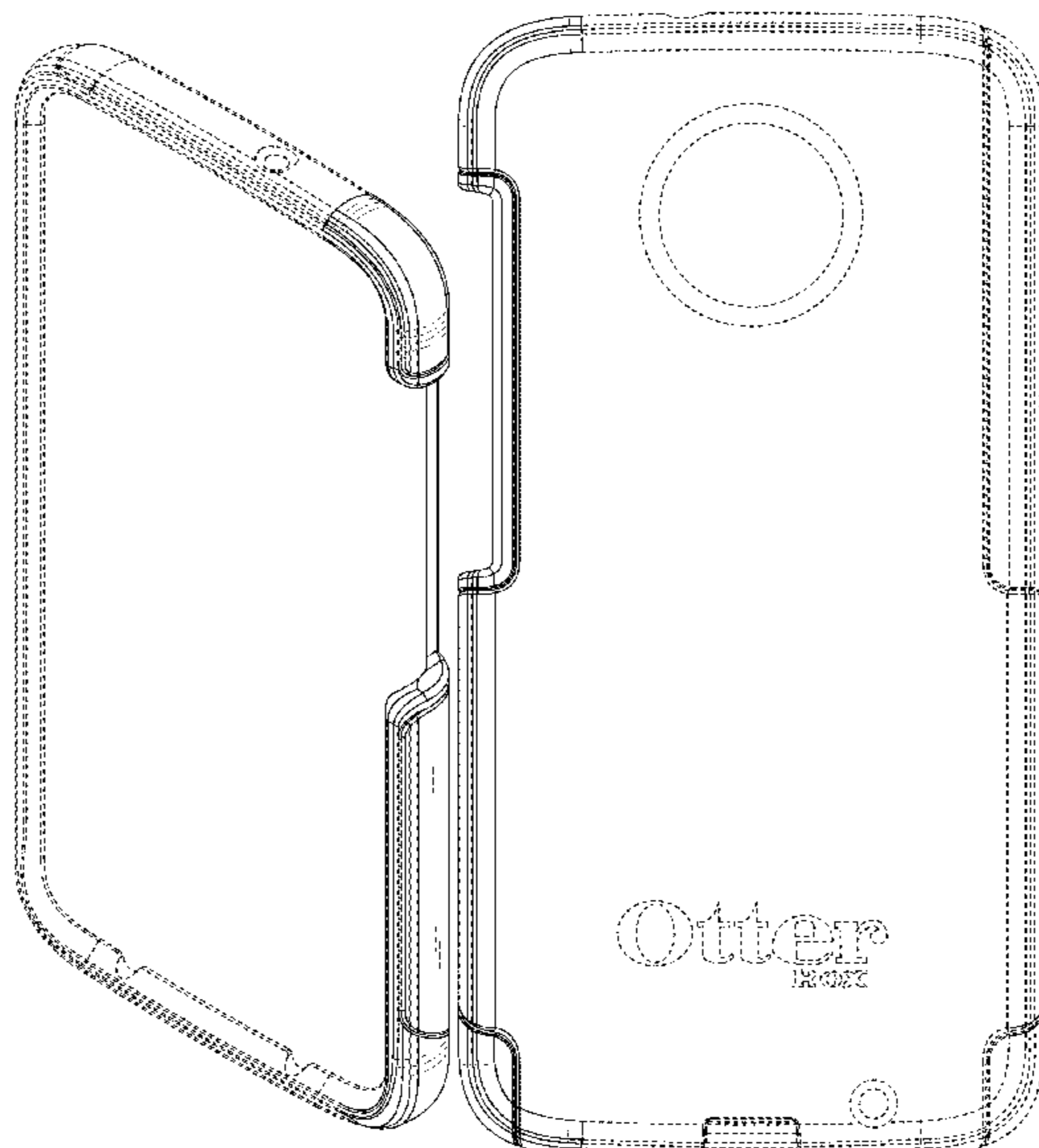
(57) **CLAIM**

The ornamental design for a case for a smartphone, as shown and described.

DESCRIPTION

FIG. 1 is a front perspective view of a case for a smartphone; FIG. 2 is a rear perspective view thereof; FIG. 3 is a front view thereof; FIG. 4 is a rear view thereof; FIG. 5 is a left view thereof; FIG. 6 is a right view thereof; FIG. 7 is a top view thereof; and, FIG. 8 is a bottom view thereof. The broken lines throughout the drawing figures depict portions of the case for smartphone that form no part of the claimed design.

1 Claim, 6 Drawing Sheets



(56)

References Cited

U.S. PATENT DOCUMENTS

D624,910 S 10/2010 Richardson et al.
D625,303 S * 10/2010 Kim D14/250
D626,120 S 10/2010 Richardson et al.
D626,121 S 10/2010 Richardson et al.
D628,568 S 12/2010 Richardson et al.
D628,994 S 12/2010 Griffin, Jr. et al.
D632,683 S 2/2011 Richardson et al.
D632,686 S 2/2011 Magness et al.
D636,387 S 4/2011 Willes et al.
D637,588 S 5/2011 Richardson et al.
D637,590 S 5/2011 Michie et al.
D637,591 S 5/2011 Willes et al.
D638,005 S 5/2011 Richardson et al.
D638,414 S 5/2011 Magness et al.
D638,828 S 5/2011 Melanson et al.
D638,829 S 5/2011 Melanson et al.
D638,830 S 5/2011 Magness et al.
D641,013 S 7/2011 Richardson et al.
D641,014 S 7/2011 Smith et al.
D642,171 S 7/2011 Melanson et al.
D642,558 S 8/2011 Magness et al.
D643,423 S 8/2011 Smith et al.
D643,424 S 8/2011 Richardson et al.
D643,836 S 8/2011 Smith et al.
D644,216 S 8/2011 Richardson et al.
D644,217 S 8/2011 Richardson et al.
D644,635 S 9/2011 Richardson et al.
D644,636 S 9/2011 Richardson et al.
D644,638 S 9/2011 Melanson et al.
D649,536 S 11/2011 Richardson et al.
D649,539 S * 11/2011 Hong D14/250
D651,203 S 12/2011 Michie et al.
D651,204 S 12/2011 Wibby et al.
D653,248 S 1/2012 Fahrendorff et al.
D653,655 S * 2/2012 Polito D14/250
D653,658 S 2/2012 Fahrendorff et al.
D654,483 S 2/2012 Richardson et al.
D654,486 S 2/2012 Chang et al.
D654,488 S 2/2012 Chang et al.
D654,489 S 2/2012 Weller et al.
D654,490 S 2/2012 Weller et al.
D654,491 S 2/2012 Melanson et al.
D654,915 S 2/2012 Weller et al.
D656,495 S 3/2012 Andre et al.
D657,353 S 4/2012 Melanson et al.
D662,924 S 7/2012 Melanson et al.
D663,296 S 7/2012 Melanson et al.
D673,540 S 1/2013 Weller et al.
D673,543 S 1/2013 Melanson et al.
D673,544 S 1/2013 Michie
D673,545 S 1/2013 Magness et al.
D673,547 S 1/2013 Melanson et al.
D673,548 S 1/2013 Weller et al.
D673,549 S 1/2013 Chang et al.
D673,551 S 1/2013 Chang et al.
D673,553 S 1/2013 Weller et al.
D673,569 S 1/2013 Smith et al.
D673,938 S 1/2013 Weller et al.
D673,941 S 1/2013 Melanson et al.
D673,942 S 1/2013 Magness et al.
D674,790 S 1/2013 Melanson et al.
D675,209 S 1/2013 Glanzer et al.
D675,604 S 2/2013 Limber et al.
D676,035 S 2/2013 Chang et al.
D676,433 S 2/2013 Smith et al.
D676,840 S 2/2013 Chang et al.
D676,841 S 2/2013 Magness et al.
D676,842 S 2/2013 Weller et al.
D676,844 S 2/2013 Weller et al.
D676,845 S 2/2013 Melanson et al.
D677,251 S 3/2013 Melanson et al.
D678,871 S * 3/2013 Mishan D14/250
D679,691 S * 4/2013 Fahrendorff D14/250
D679,695 S * 4/2013 Fahrendorff D14/250
D681,020 S 4/2013 Magness et al.

D681,022 S 4/2013 Chang et al.
D681,024 S 4/2013 Chang et al.
D681,025 S 4/2013 Chang et al.
D681,026 S 4/2013 Weller et al.
D681,613 S 5/2013 Magness et al.
D681,618 S 5/2013 Magness et al.
D681,623 S 5/2013 Chang et al.
D684,567 S * 6/2013 Murchison D14/250
D685,780 S 7/2013 Murchison et al.
D689,852 S 9/2013 Azoulay
D694,222 S * 11/2013 Thompson D14/238.1
D694,743 S * 12/2013 Monaco D14/250
D695,744 S 12/2013 Weller et al.
D696,240 S * 12/2013 Kim D14/250
D697,905 S 1/2014 Chang et al.
D698,343 S 1/2014 Chang et al.
D699,715 S 2/2014 Fitzgerald et al.
D703,652 S 4/2014 Melanson et al.
D703,653 S 4/2014 Brubaker et al.
D703,654 S 4/2014 Melanson et al.
D703,655 S 4/2014 Melanson et al.
D704,182 S 5/2014 Smith
D709,439 S * 7/2014 Ferber D13/103
D709,488 S 7/2014 Bulkley et al.
D709,868 S 7/2014 Witter et al.
D710,346 S 8/2014 Smith et al.
D713,833 S 9/2014 Wilkey
D714,274 S 9/2014 Jung et al.
D714,276 S 9/2014 Hu et al.
D720,740 S 1/2015 Wicks et al.
D721,069 S 1/2015 Havens et al.
D721,070 S 1/2015 Pickett et al.
D721,071 S 1/2015 Nelson et al.
D721,358 S 1/2015 Pickett et al.
D721,360 S 1/2015 Mazieres et al.
D725,093 S * 3/2015 Sun D14/250
D725,117 S 3/2015 Melanson et al.
8,973,752 B2 3/2015 Johnson et al.
D726,702 S 4/2015 Umlauf
D728,468 S * 5/2015 Ferber D13/103
D729,788 S 5/2015 Witter et al.
D737,263 S 8/2015 Armstrong et al.
9,143,181 B1 9/2015 Jia et al.
D740,268 S * 10/2015 O'Neill D14/250
D740,798 S 10/2015 Poon et al.
D741,844 S 10/2015 Rayner et al.
9,264,089 B2 2/2016 Tages
D753,099 S 4/2016 Kim
D756,340 S 5/2016 Babichenko
D756,910 S 5/2016 Gupta et al.
D756,977 S 5/2016 Schriever et al.
D763,842 S 8/2016 Chang et al.
D765,633 S * 9/2016 Northrup D14/250
D765,640 S 9/2016 Bulkley et al.
D765,643 S 9/2016 Witter et al.
D765,644 S 9/2016 Witter et al.
D766,819 S 9/2016 Gjøvik et al.
D767,551 S 9/2016 Sasaki et al.
D771,027 S 11/2016 Prstojevich et al.
D772,211 S 11/2016 Poon et al.
D772,854 S 11/2016 Igarashi
D772,857 S 11/2016 Poon
D773,445 S * 12/2016 Witter D14/250
D773,447 S 12/2016 Taylor
D781,829 S * 3/2017 Kim D14/248
D782,460 S * 3/2017 Bertrand D14/250
D791,115 S * 7/2017 Schilling D14/250
D793,380 S 8/2017 Ballou et al.
D797,089 S * 9/2017 Lee D14/248
D810,729 S * 2/2018 Ballou D14/250
D816,655 S 5/2018 Dennis et al.
D820,246 S 6/2018 Li et al.
D825,542 S * 8/2018 Wikstrom D14/250
D828,829 S * 9/2018 Shoemake D14/250
D843,365 S * 3/2019 Kim D14/250
D845,942 S 4/2019 Massey et al.
D884,691 S * 5/2020 Wilder D14/250
2010/0147737 A1 6/2010 Richardson et al.
2011/0095033 A1 4/2011 Hung

(56)

References Cited

U.S. PATENT DOCUMENTS

2012/0303520 A1 11/2012 Huang
2014/0246339 A1 9/2014 Chung et al.
2014/0274232 A1 9/2014 Tages
2014/0360892 A1 12/2014 Lin
2015/0195938 A1 7/2015 Witter et al.
2015/0244407 A1 8/2015 Peral
2015/0295618 A1 10/2015 Johnson et al.
2016/0049979 A1 2/2016 Grouwstra
2016/0073748 A1 3/2016 Magness

OTHER PUBLICATIONS

Otterbox, :Commuter Series Case for Moto Z3 Play/Moto Z3, available at least since Sep. 14, 2018, downloaded from <https://www.otterbox.com/en-us/moto-z3-play-moto-z3/commuter-series-case/mot72-moto-z3-play.html> Sep. 27, 2018, 3 pages.

Steven Winkelman, "Digital Trends The Motorola Moto Z3: Everything you need to know," dated Aug. 16, 2018, downloaded from <https://www.digitaltrends.com/mobile/moto-z3-news/#/6> on Sep. 27, 2018, 11 pages.

* cited by examiner

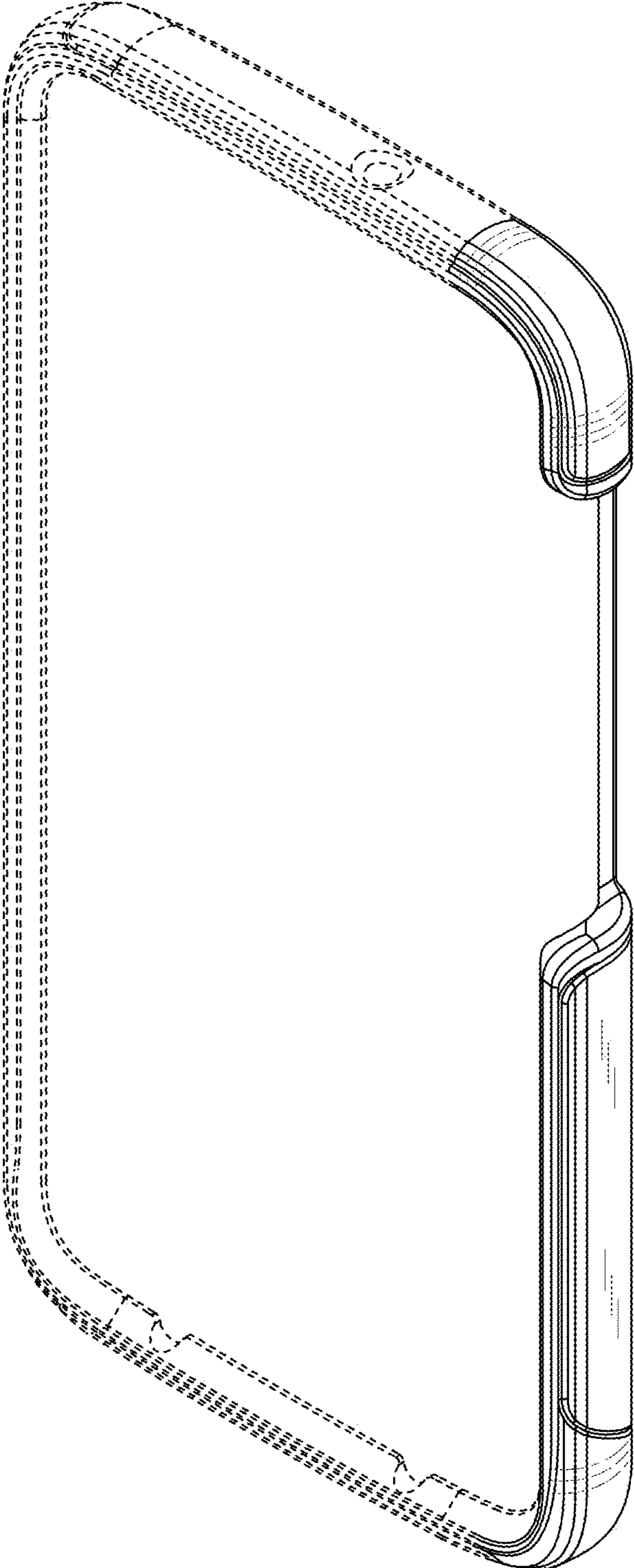


FIG. 1

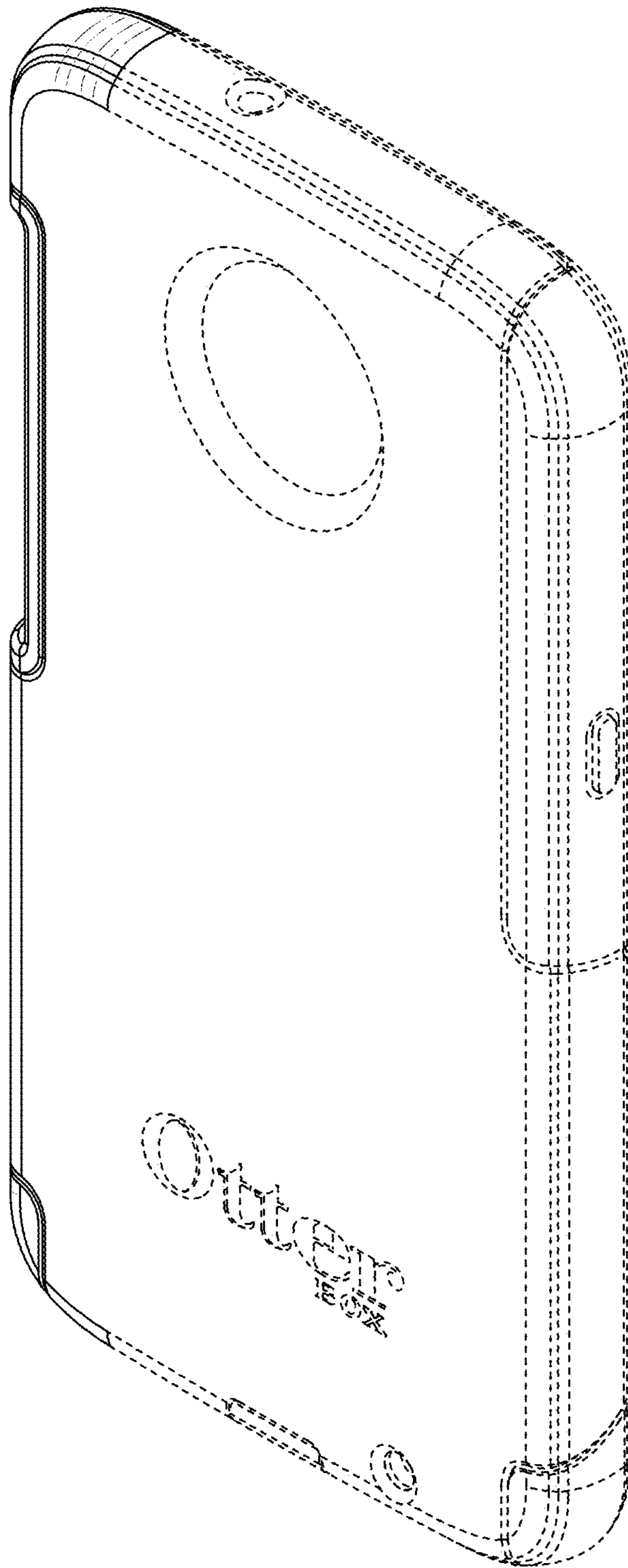


FIG. 2

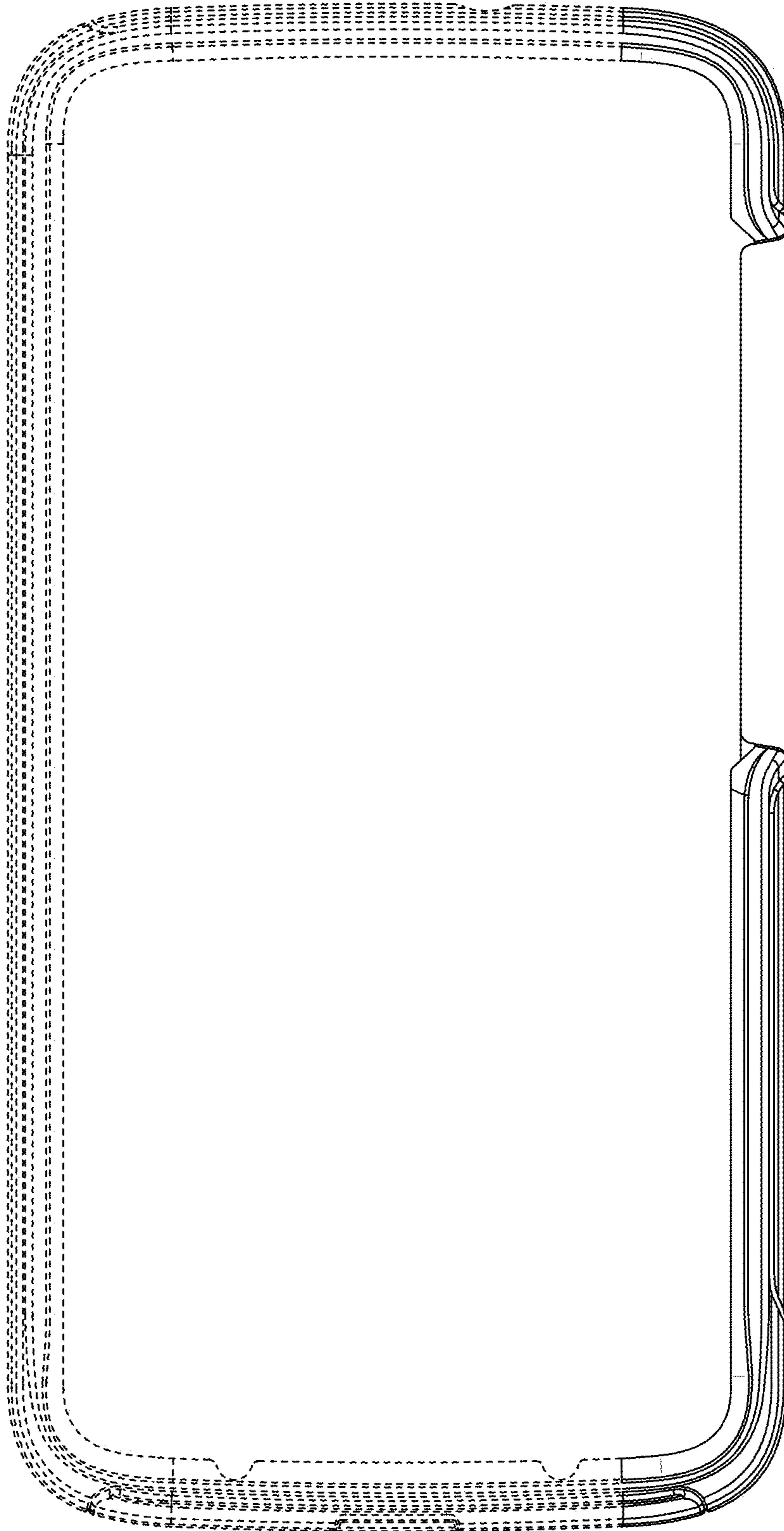


FIG. 3

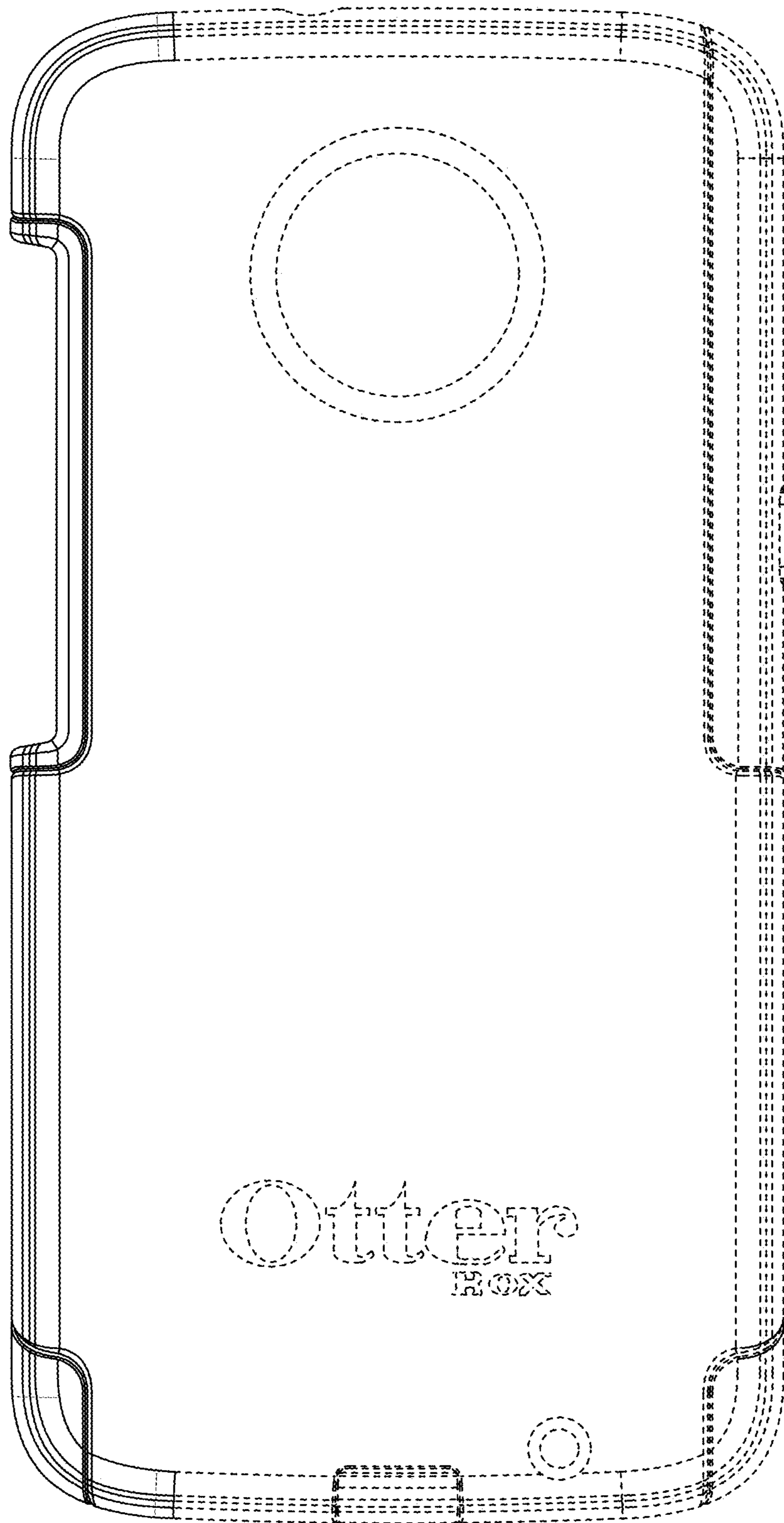


FIG. 4

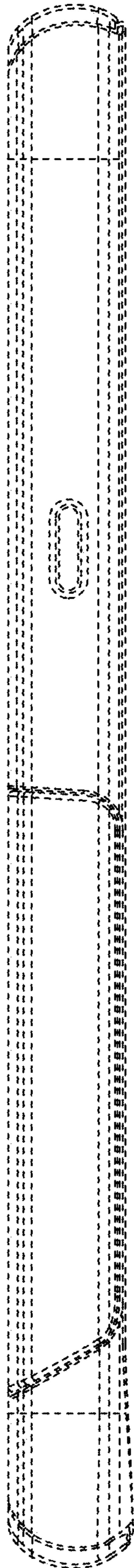


FIG. 5

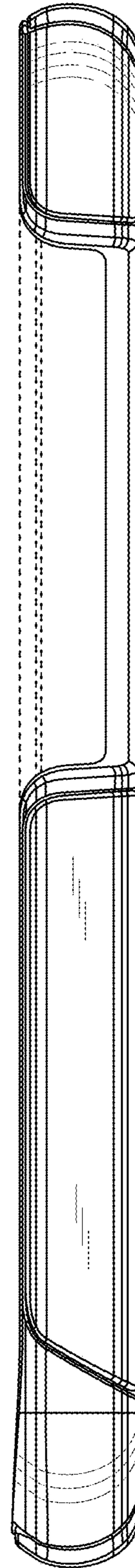


FIG. 6

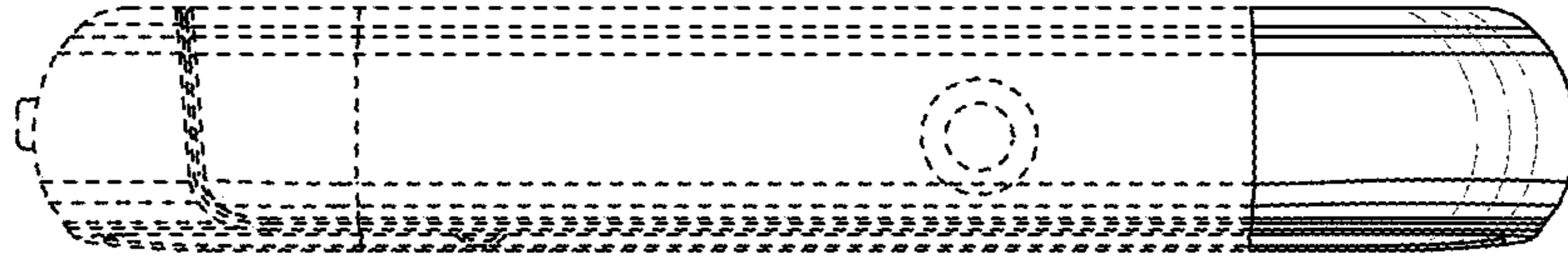


FIG. 7

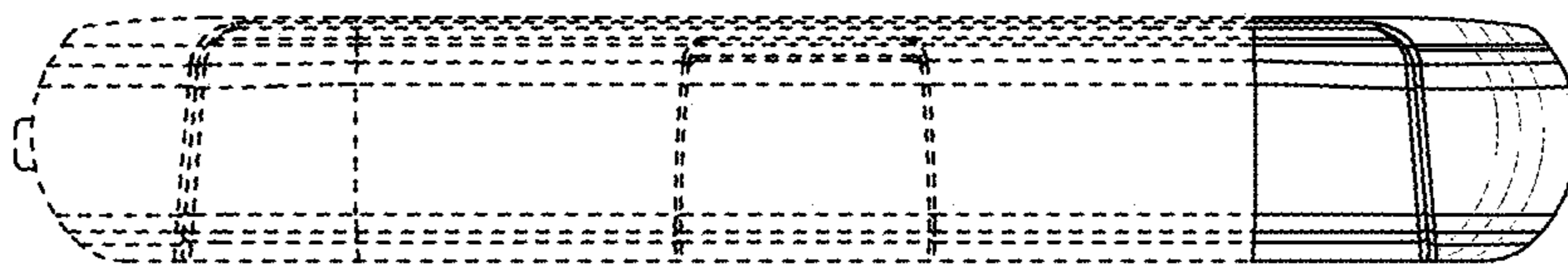


FIG. 8