



US00D907619S

(12) **United States Design Patent** (10) **Patent No.:** **US D907,619 S**  
**Ahn** (45) **Date of Patent:** **\*\* Jan. 12, 2021**

(54) **CASE FOR SMART PHONE**

- (71) Applicant: **SPIGEN KOREA CO., LTD.**, Seoul (KR)
- (72) Inventor: **Deok Hyun Ahn**, Seoul (KR)
- (73) Assignee: **SPIGEN KOREA CO., LTD.**, Seoul (KR)
- (\*\*) Term: **15 Years**

- (21) Appl. No.: **29/661,800**
- (22) Filed: **Aug. 30, 2018**
- (51) **LOC (13) Cl.** ..... **14-03**
- (52) **U.S. Cl.**  
USPC ..... **D14/250**
- (58) **Field of Classification Search**  
USPC ..... D3/201, 218, 226, 227, 247, 249, 250,  
D3/269, 303; D13/103, 107, 108, 119;  
D14/137, 138 R, 138 AA, 138 C, 138 G,  
D14/172, 192, 203.3-203.7, 217, 238.1,  
D14/247, 248, 250-253, 440, 447  
CPC ..... H04B 1/3888; H04M 1/0283; H04M  
1/0202; A45C 1/06; A45C 2011/002;  
A45C 11/00; A45F 2005/028; A45F  
2200/0525

See application file for complete search history.

(56) **References Cited**

**U.S. PATENT DOCUMENTS**

D587,896 S *	3/2009	Aipa	.....	D3/201
D597,067 S	7/2009	Oh et al.		
D623,180 S	9/2010	Diebel		
D623,640 S	9/2010	Freeman		
D624,908 S *	10/2010	Huskinson	.....	D14/250
D624,909 S *	10/2010	Huskinson	.....	D14/250
D626,120 S *	10/2010	Richardson	.....	D14/250
D626,121 S	10/2010	Richardson et al.		
D626,538 S	11/2010	Brown et al.		
D626,539 S	11/2010	Brown et al.		
D626,540 S	11/2010	Brown et al.		
D636,755 S	4/2011	Chen		

(Continued)

**OTHER PUBLICATIONS**

“Incase iPhone 3&3GS Metallic Slider Case (Gunmetal)”, <https://www.amazon.com/Incase-iPhone-Metallic-Slider-Gunmetal/dp/B002NLHV5Q>, Downloaded Jun. 3, 2016, 5 pages.

*Primary Examiner* — L. A. Grabenstetter

(74) *Attorney, Agent, or Firm* — Heedong Chae; Lucem, PC

(57) **CLAIM**

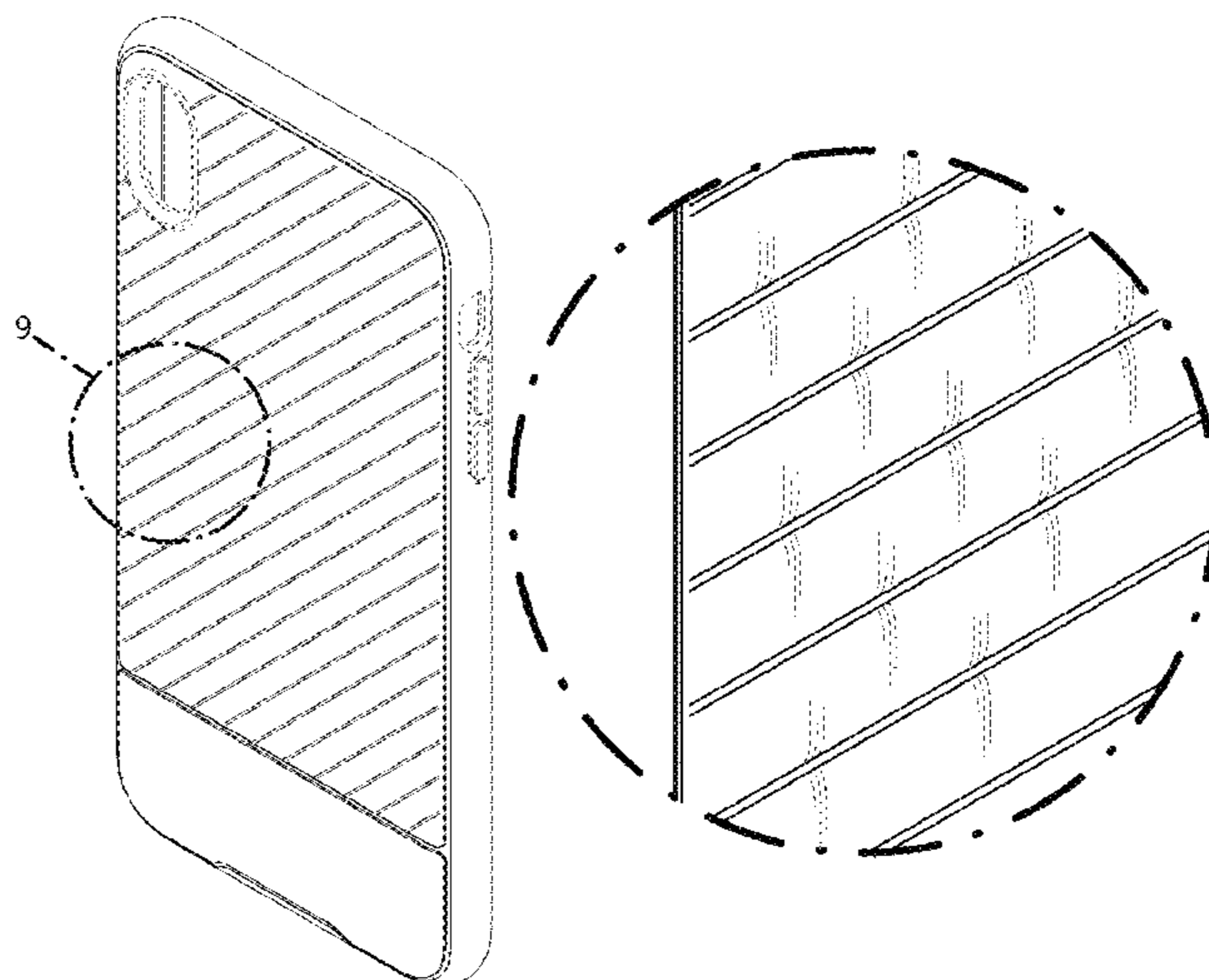
The ornamental design for a case for smart phone, as shown and described.

**DESCRIPTION**

FIG. 1 is a front perspective view of a case for smart phone showing my new design;  
 FIG. 2 is a rear perspective view thereof;  
 FIG. 3 is a front elevational view thereof;  
 FIG. 4 is a rear elevational view thereof;  
 FIG. 5 is a left side elevational view thereof;  
 FIG. 6 is a right side elevational view thereof;  
 FIG. 7 is a top plan view thereof;  
 FIG. 8 is a bottom plan view thereof;  
 FIG. 9 is an enlarged detail view of the encircled region from FIG. 2;  
 FIG. 10 is an enlarged detail view of the encircled region from FIG. 4; and,  
 FIG. 11 is a cross-sectional view taken along the line 11-11 of FIG. 4.

The dash-dot broken line circle in FIGS. 2, and 4 delineates a portion of the case for smart phone that is part of the claimed design and that is shown on an enlarged scale in FIG. 9, and FIG. 10. The broken lines throughout the drawing figures depict portions of the case for smart phone that form no part of the claimed design. The broken lines and regions bounded by broken lines form no part of the claimed design.

**1 Claim, 11 Drawing Sheets**



(56)

References Cited

U.S. PATENT DOCUMENTS

D637,589 S 5/2011 Willes et al.  
 D638,007 S \* 5/2011 Chang ..... D14/250  
 D641,756 S \* 7/2011 Hsieh ..... D14/440  
 D642,169 S 7/2011 Andre et al.  
 D644,218 S 8/2011 Akana et al.  
 D646,265 S 10/2011 Fathollahi  
 D647,084 S 10/2011 Fathollahi  
 D647,517 S \* 10/2011 Fathollahi ..... D14/250  
 D652,825 S \* 1/2012 Bau ..... D14/238.1  
 D654,068 S 2/2012 Monaco et al.  
 D654,491 S 2/2012 Melanson et al.  
 D655,287 S 3/2012 de Jong et al.  
 D659,691 S \* 5/2012 Kim ..... D14/250  
 D662,923 S 7/2012 Piedra et al.  
 D669,458 S 10/2012 Wilson et al.  
 D672,739 S 12/2012 Sin  
 D673,550 S 1/2013 Magness et al.  
 D676,432 S \* 2/2013 Hasbrook ..... D14/250  
 D681,616 S 5/2013 Weller et al.  
 8,457,701 B2 6/2013 Diebel  
 D685,356 S 7/2013 Diebel  
 D692,419 S \* 10/2013 Rayner ..... D14/250  
 D696,239 S 12/2013 Murchison et al.  
 D697,905 S \* 1/2014 Chang ..... D14/250  
 D698,774 S \* 2/2014 Wardy ..... D14/250  
 D703,197 S 4/2014 Melanson et al.  
 D707,215 S \* 6/2014 Weller ..... D14/250

D707,670 S \* 6/2014 Chang ..... D14/250  
 D709,871 S \* 7/2014 Lee ..... D14/250  
 D712,892 S 9/2014 Hong et al.  
 D716,281 S \* 10/2014 Melanson ..... D14/250  
 D716,282 S \* 10/2014 Melanson ..... D14/250  
 D716,284 S \* 10/2014 Melanson ..... D14/250  
 D716,783 S 11/2014 Loncar et al.  
 D718,754 S 12/2014 To et al.  
 D718,755 S 12/2014 To et al.  
 D719,559 S 12/2014 Dukerschein et al.  
 D720,733 S 1/2015 Fathollahi  
 D721,360 S 1/2015 Laffon de Mazieres et al.  
 D722,310 S 2/2015 Diebel  
 D722,311 S 2/2015 Diebel  
 9,004,275 B2 4/2015 Lee  
 D729,255 S \* 5/2015 Kilkenny ..... D14/440  
 D740,798 S 10/2015 Poon et al.  
 D763,840 S \* 8/2016 Hwang ..... D14/250  
 D765,643 S 9/2016 Witter et al.  
 D770,435 S \* 11/2016 Daniel ..... D14/250  
 D775,615 S \* 1/2017 Tien ..... D14/250  
 D779,470 S 2/2017 Kim et al.  
 D792,877 S 7/2017 Kim et al.  
 D792,878 S 7/2017 Kim et al.  
 D812,619 S \* 3/2018 Altaras ..... D14/440  
 D819,621 S 6/2018 Diebel  
 2013/0098790 A1 \* 4/2013 Hong ..... A45C 11/00  
 2015/0381226 A1 \* 12/2015 Mogol ..... H04B 1/3888  
 455/575.1

\* cited by examiner

FIG. 1

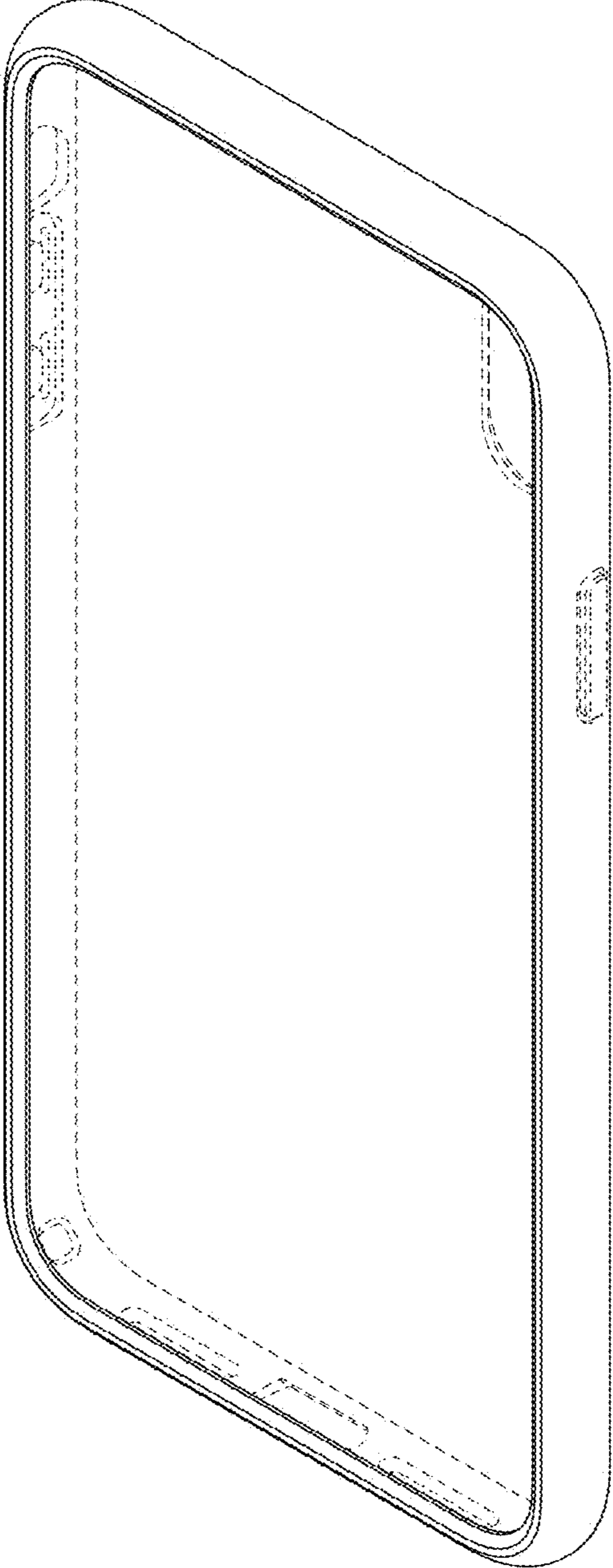
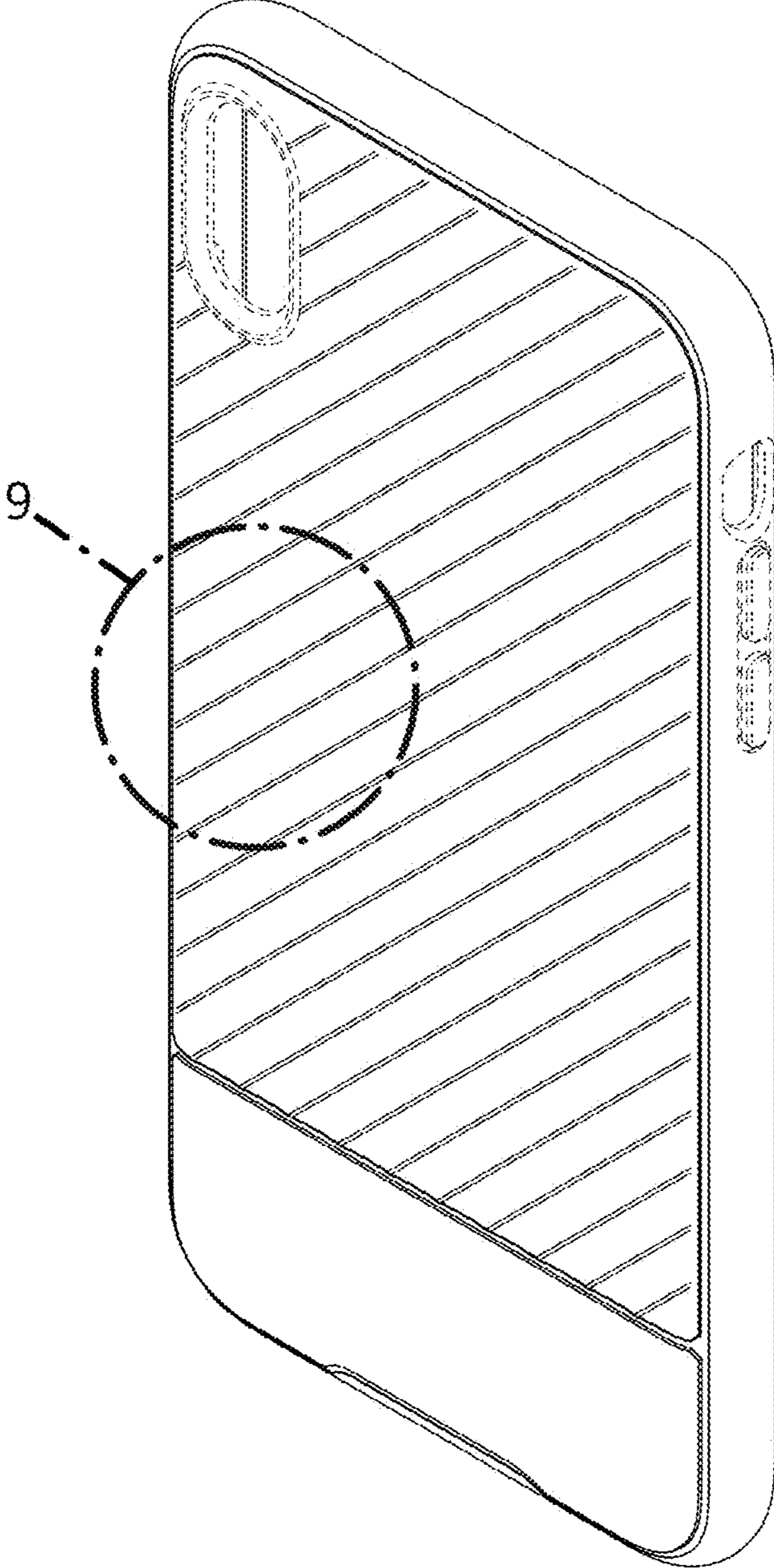




FIG. 2



**FIG. 3**

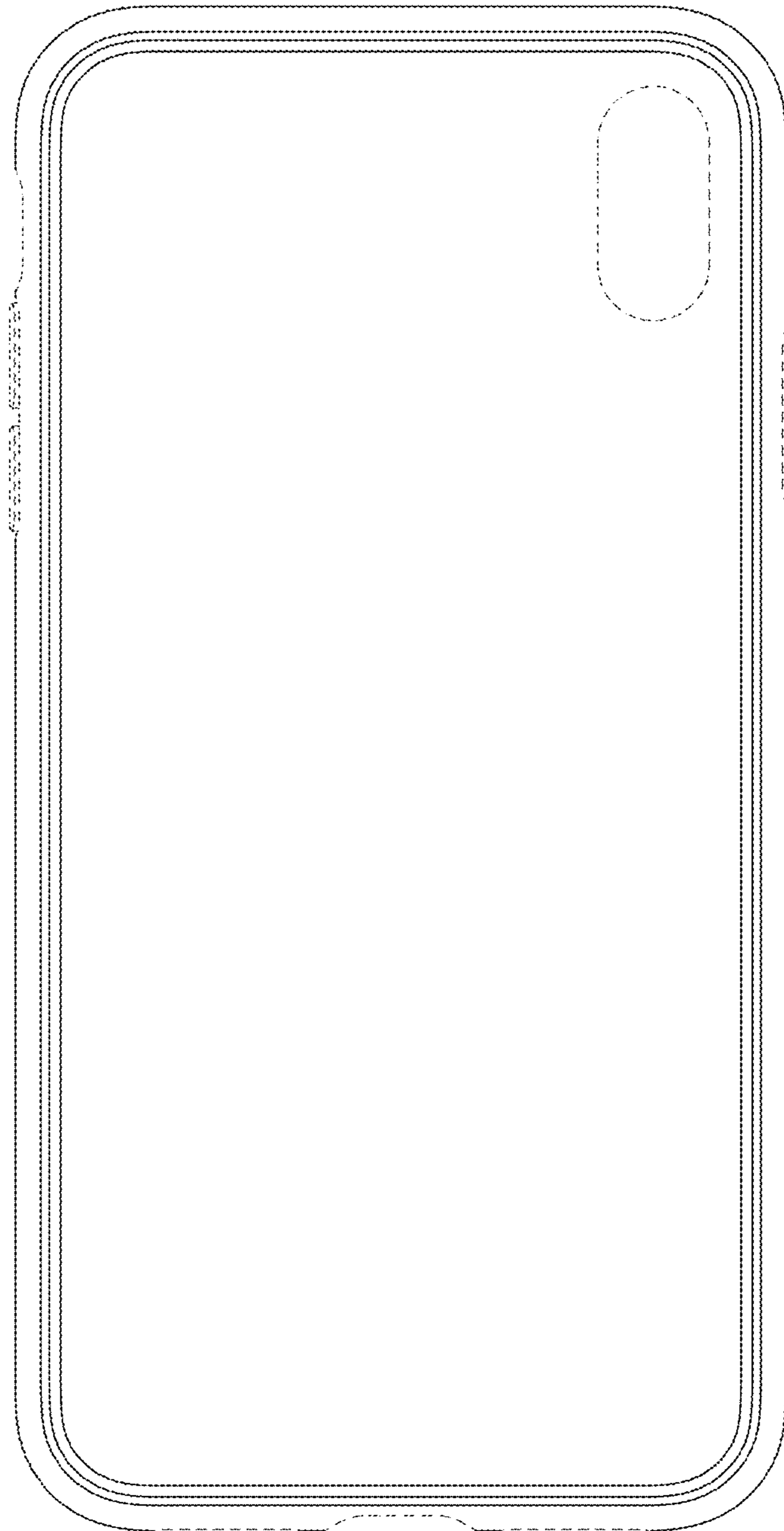
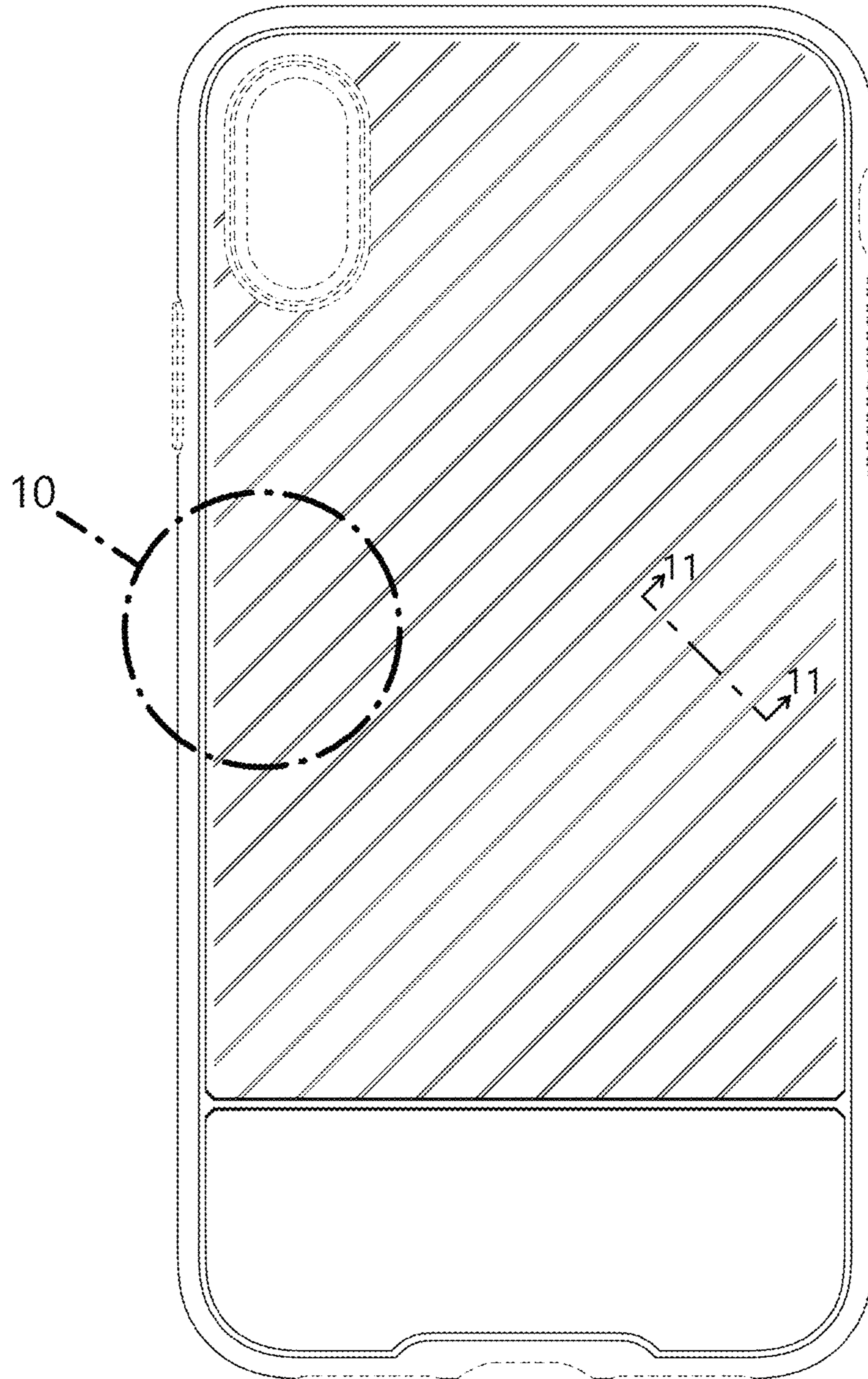
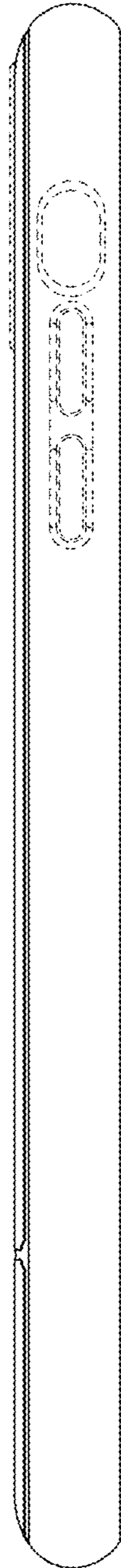


FIG. 4



**FIG. 5**



**FIG. 6**

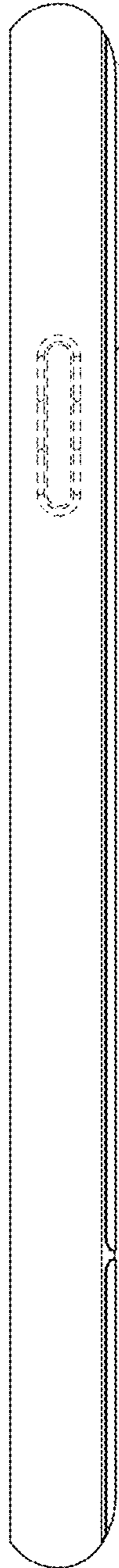
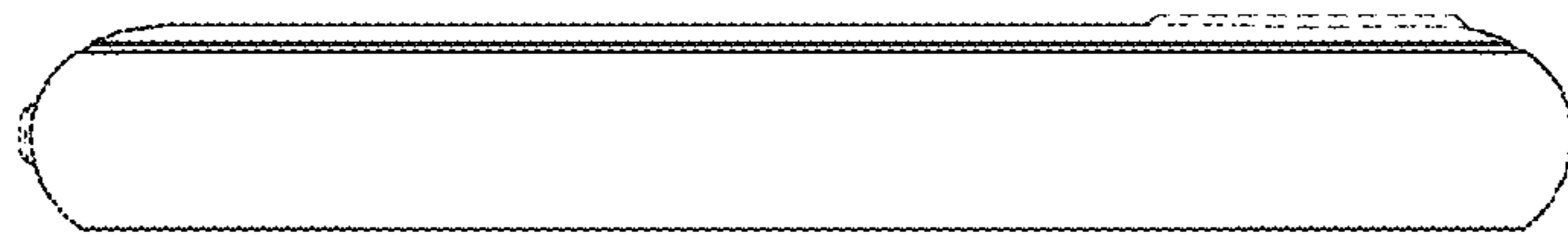




FIG. 7



**FIG. 8**

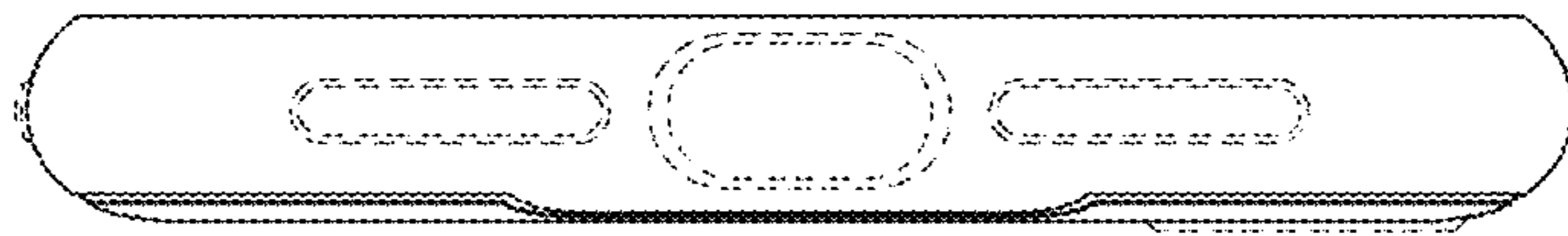


FIG. 9

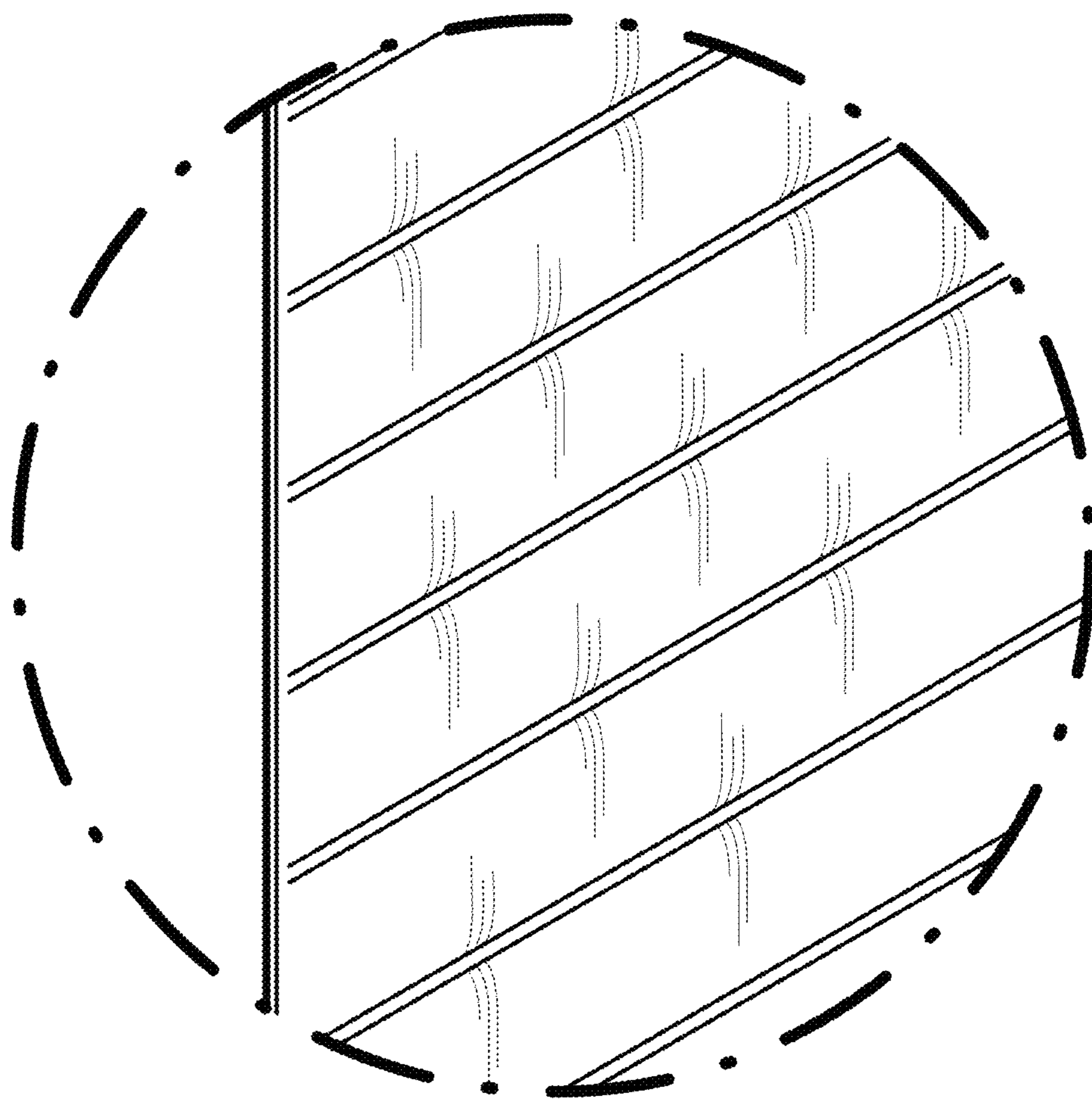


FIG. 10

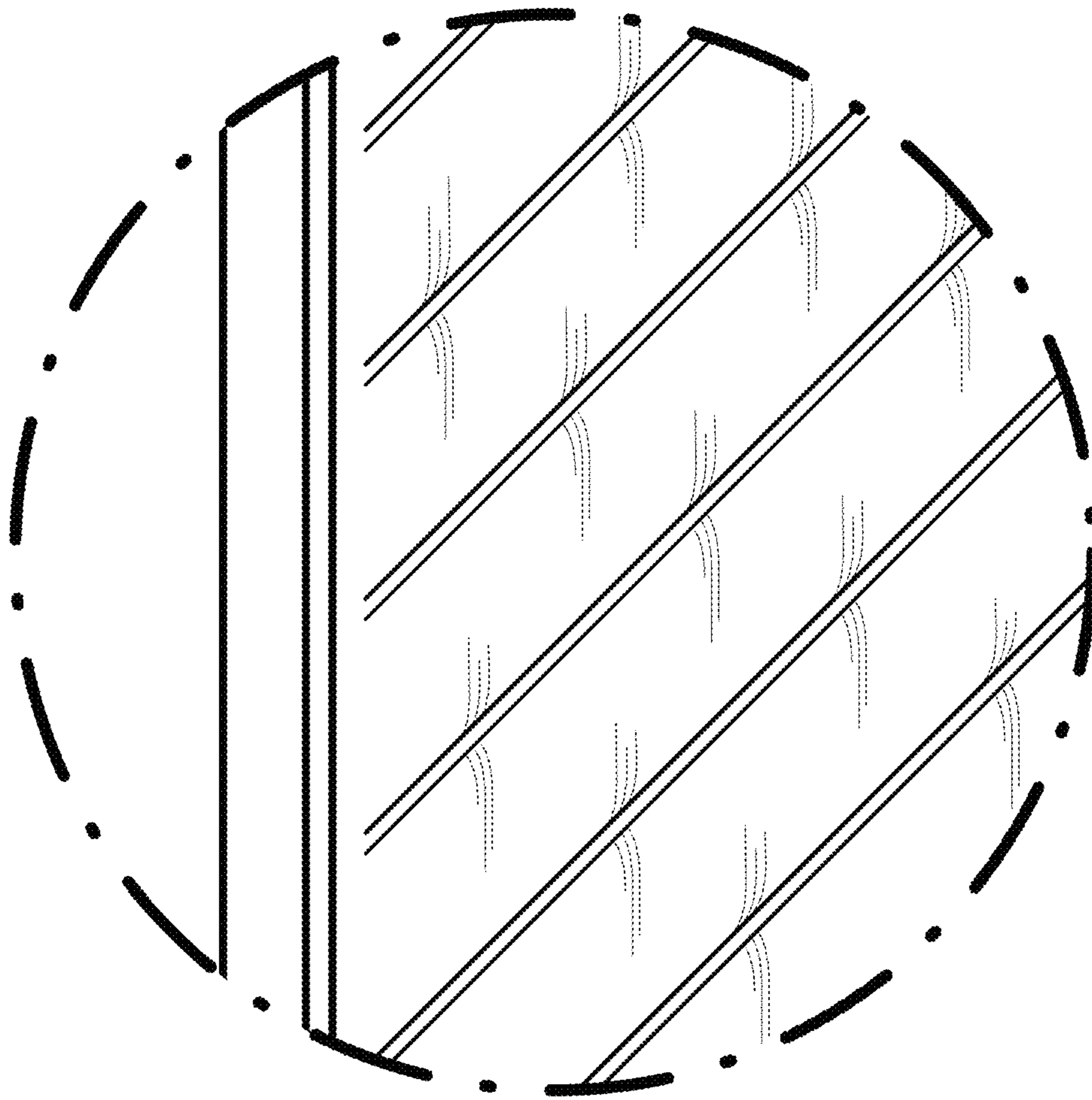




FIG. 11

