



US00D907617S

(12) **United States Design Patent**
Kim et al.

(10) **Patent No.:** **US D907,617 S**
(45) **Date of Patent:** **** Jan. 12, 2021**

- (54) **CASE FOR ELECTRONIC COMMUNICATIONS DEVICE**
- (71) Applicant: **SPIGEN KOREA CO., LTD.**, Seoul (KR)
- (72) Inventors: **Dae-Young Kim**, Seoul (KR); **Bum Joon Lee**, Seoul (KR)
- (73) Assignee: **SPIGEN KOREA CO., LTD.**, Seoul (KR)
- (**) Term: **15 Years**
- (21) Appl. No.: **29/600,591**
- (22) Filed: **Apr. 13, 2017**

Related U.S. Application Data

- (63) Continuation of application No. 29/575,546, filed on Aug. 25, 2016, now Pat. No. Des. 824,377.
- (51) **LOC (13) Cl.** **14-03**
- (52) **U.S. Cl.**
USPC **D14/250**
- (58) **Field of Classification Search**
USPC D14/440, 203.3–203.7, 439, 238.1, D14/251–253, 447, 217, 240, 248, 250; D3/201, 218, 247, 269, 273, 301, 303, D3/249; D13/103, 119, 107–108
CPC H04B 1/3888; H04M 1/0283; H04M 1/0202; A45C 1/06; A45C 11/00; A45C 13/02; A45C 2011/002; A45F 2005/026; A45F 2200/0525; A45F 2200/0516
See application file for complete search history.

(56) **References Cited**

U.S. PATENT DOCUMENTS

- D88,029 S * 10/1932 Willheim D5/63
- D643,029 S * 8/2011 Feng D14/250
- D663,263 S * 7/2012 Gupta D13/103

- D664,133 S * 7/2012 Zheng D14/248
- D676,844 S * 2/2013 Weller D14/250
- D685,776 S * 7/2013 Bau D14/250
- D704,688 S * 5/2014 Reivo D14/250
- D717,286 S * 11/2014 Veldkamp D14/250

(Continued)

Primary Examiner — Carla J Wright
(74) *Attorney, Agent, or Firm* — Heedong Chae; Lucem, PC

(57) **CLAIM**

The ornamental design for a case for electronic communications device, as shown and described.

DESCRIPTION

FIG. 1 is a rear perspective view of a case for electronic communications device showing my new design in an environment of use;

FIG. 2 is a rear elevational view thereof;

FIG. 3 is a left side elevational view thereof;

FIG. 4 is a right side elevational view thereof;

FIG. 5 is a top plan view thereof;

FIG. 6 is a bottom plan view thereof;

FIG. 7 is a rear perspective view showing the case for electronic communications device separated from an environmental outer frame;

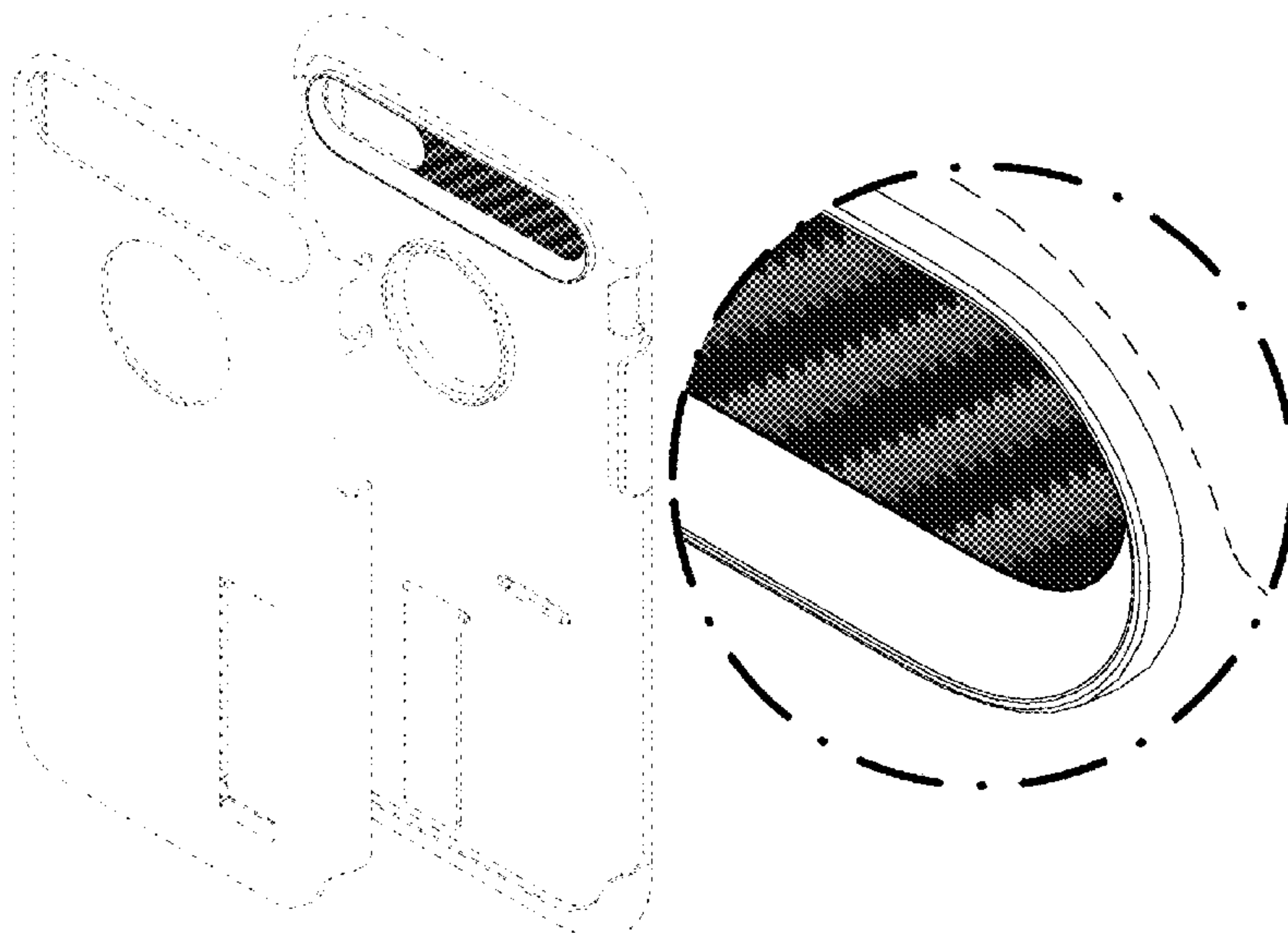
FIG. 8 is a rear perspective view showing the case for electronic communications device in isolation;

FIG. 9 is an enlarged detail view of the encircled region of FIG. 2; and,

FIG. 10 is an enlarged detail view of the encircled region of FIG. 8.

The dot-dash broken line circles in FIGS. 2 and 8-10 delineate portions of the case for electronic communications device that include claimed subject matter and that are shown on an enlarged scale in FIGS. 9-10. The dashed broken lines throughout the drawing figures depict portions of the case for electronic communications device that form no part of the claimed design.

1 Claim, 10 Drawing Sheets



(56)

References Cited

U.S. PATENT DOCUMENTS

D717,774	S *	11/2014	Fathollahi	D14/250
D730,338	S *	5/2015	Lee	D14/250
D748,614	S *	2/2016	Ju	D14/250
D749,068	S *	2/2016	Zaborski	D14/250
D749,555	S *	2/2016	Poon	D14/250
D751,058	S *	3/2016	Cocchia	D14/250
D757,699	S *	5/2016	Lee	D14/248
D778,275	S *	2/2017	Gabriel	D14/250
D781,835	S *	3/2017	Kim	D14/250
D781,838	S *	3/2017	Kim	D14/250
D801,325	S *	10/2017	Kim	D14/250
D813,219	S *	3/2018	Hyun	D14/250
D819,006	S *	5/2018	Kim	D14/250
D824,377	S *	7/2018	Kim	D14/250
D830,352	S *	10/2018	Chung	D14/250
D836,095	S *	12/2018	Kim	D14/250
2016/0094263	A1 *	3/2016	Fathollahi	B29C 45/1671
				455/575.8
2017/0086557	A1 *	3/2017	Choi	H04B 1/3888

* cited by examiner

FIG. 1

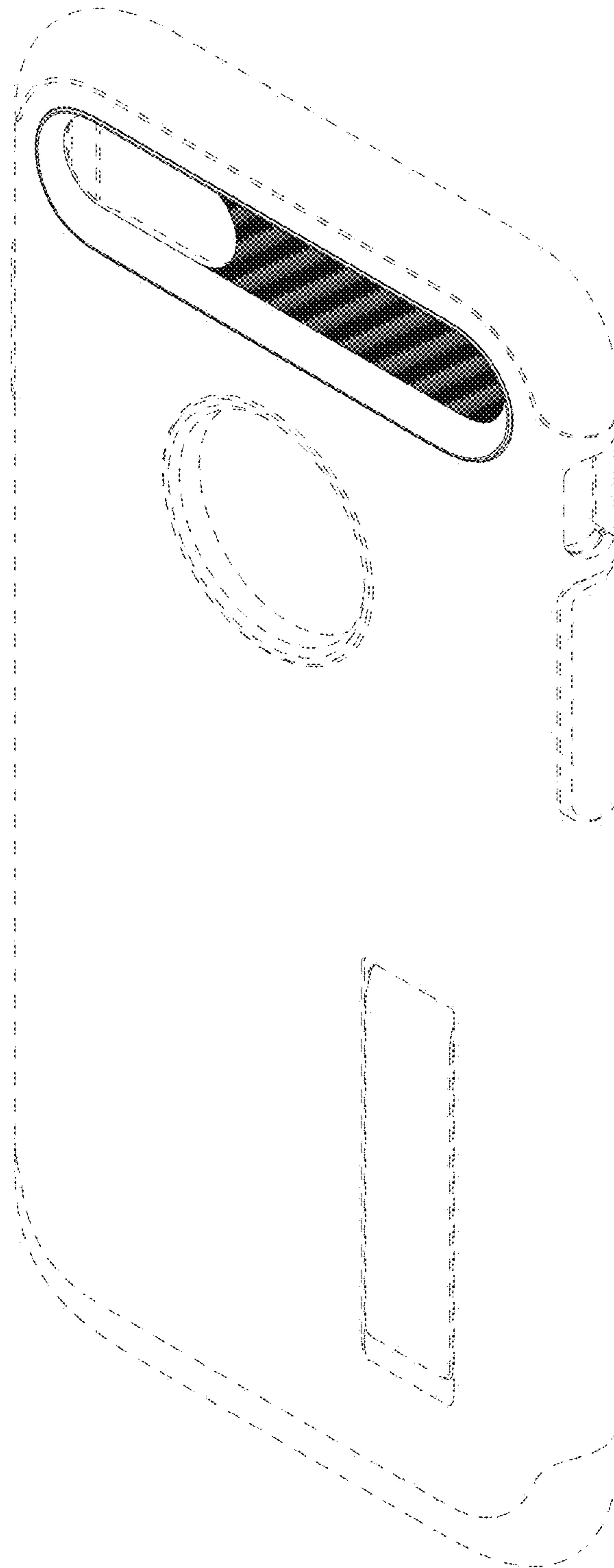


FIG. 2

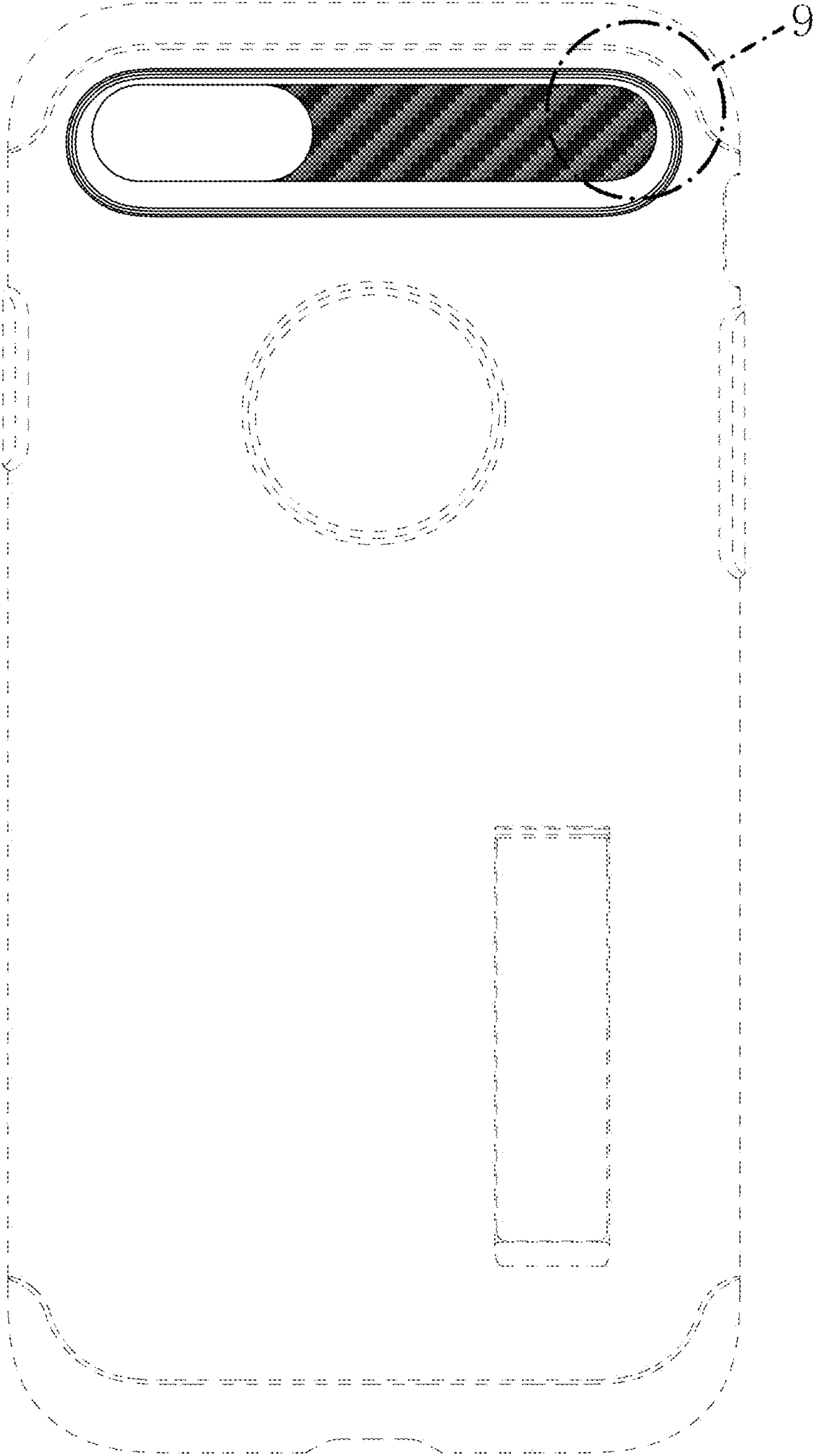


FIG. 3

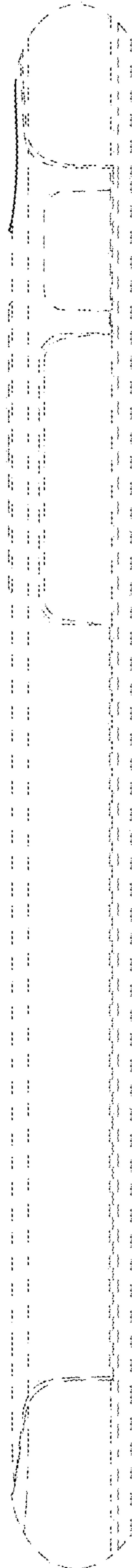


FIG. 4



FIG. 5

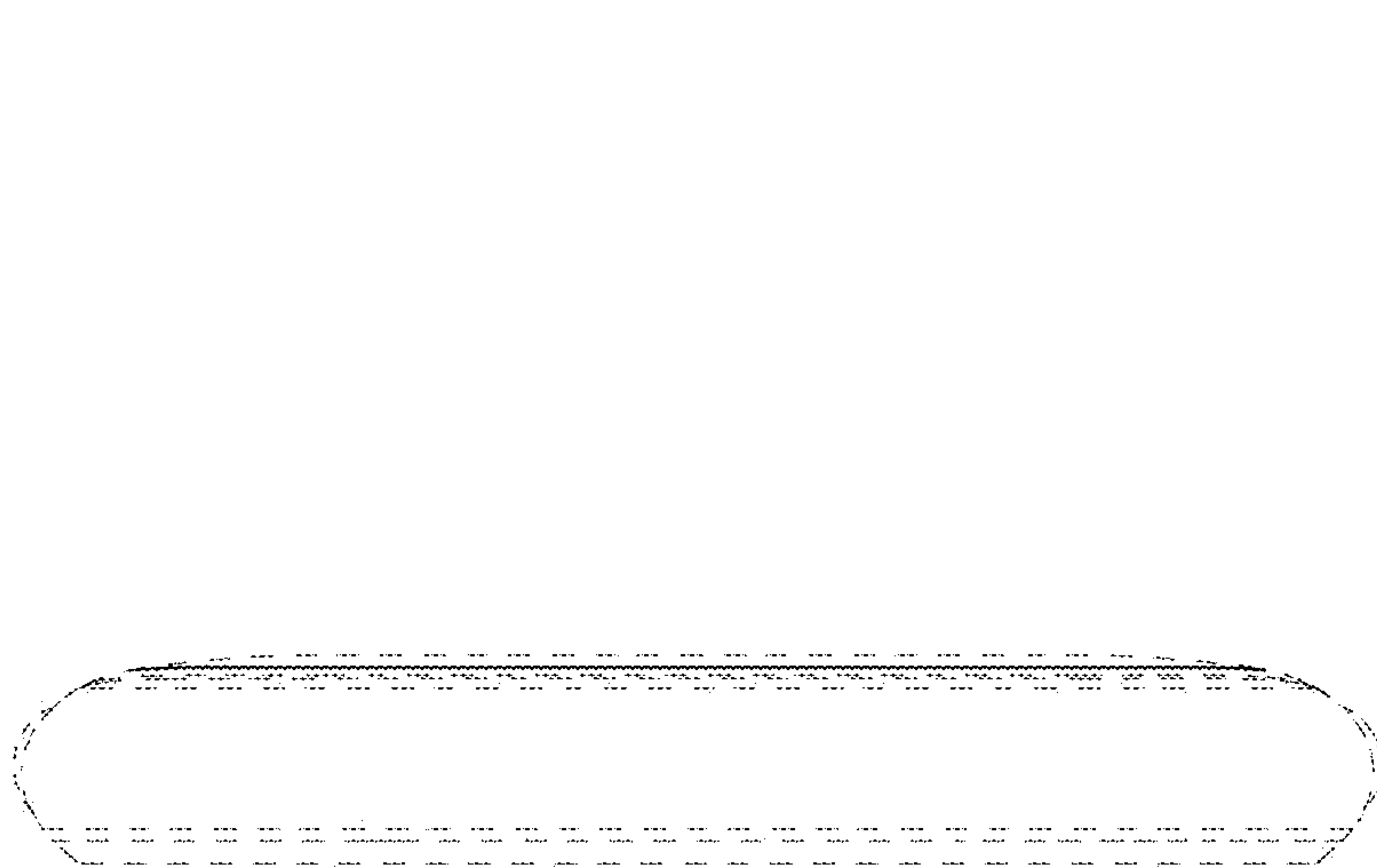


FIG. 6



FIG. 7

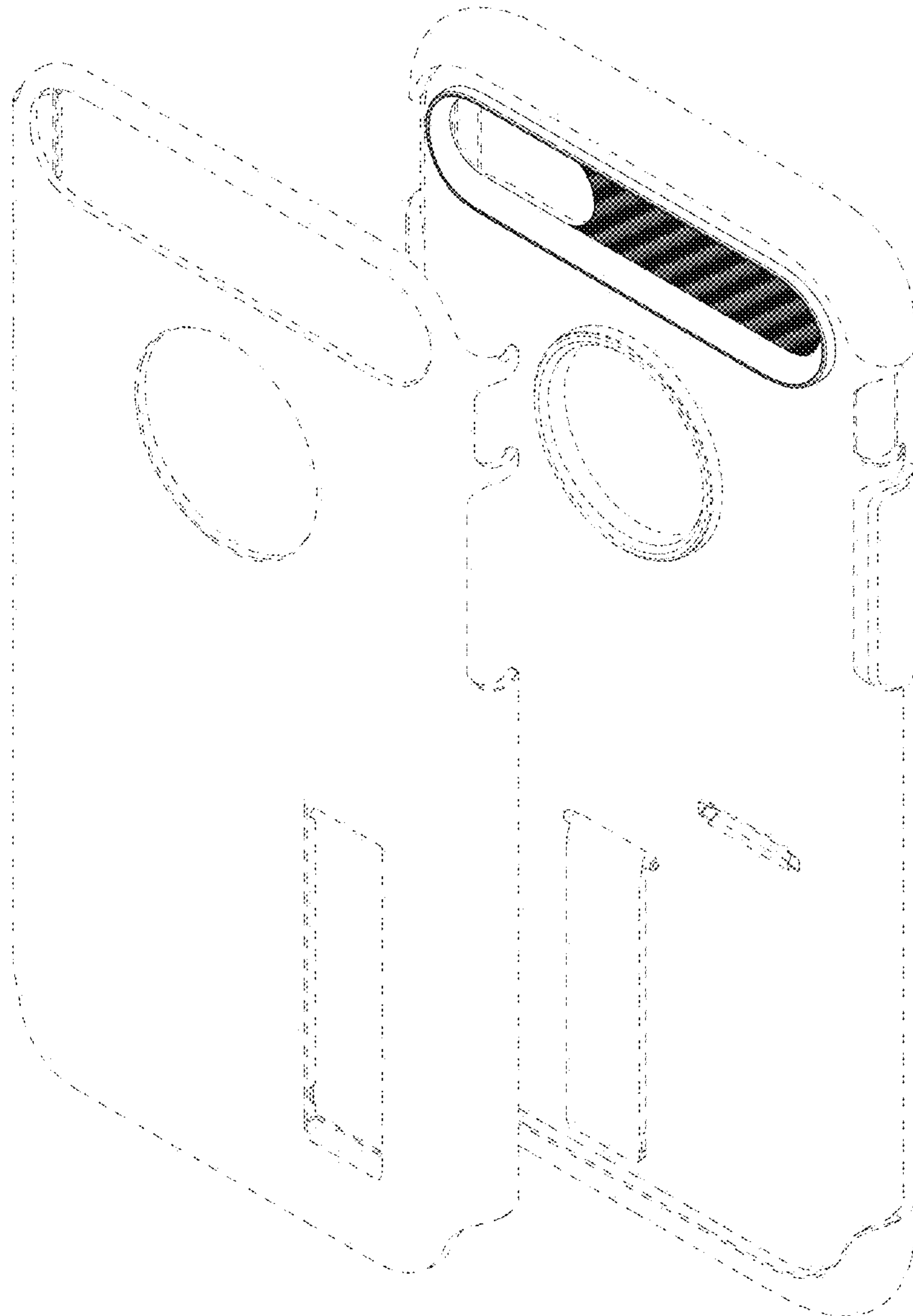


FIG. 8

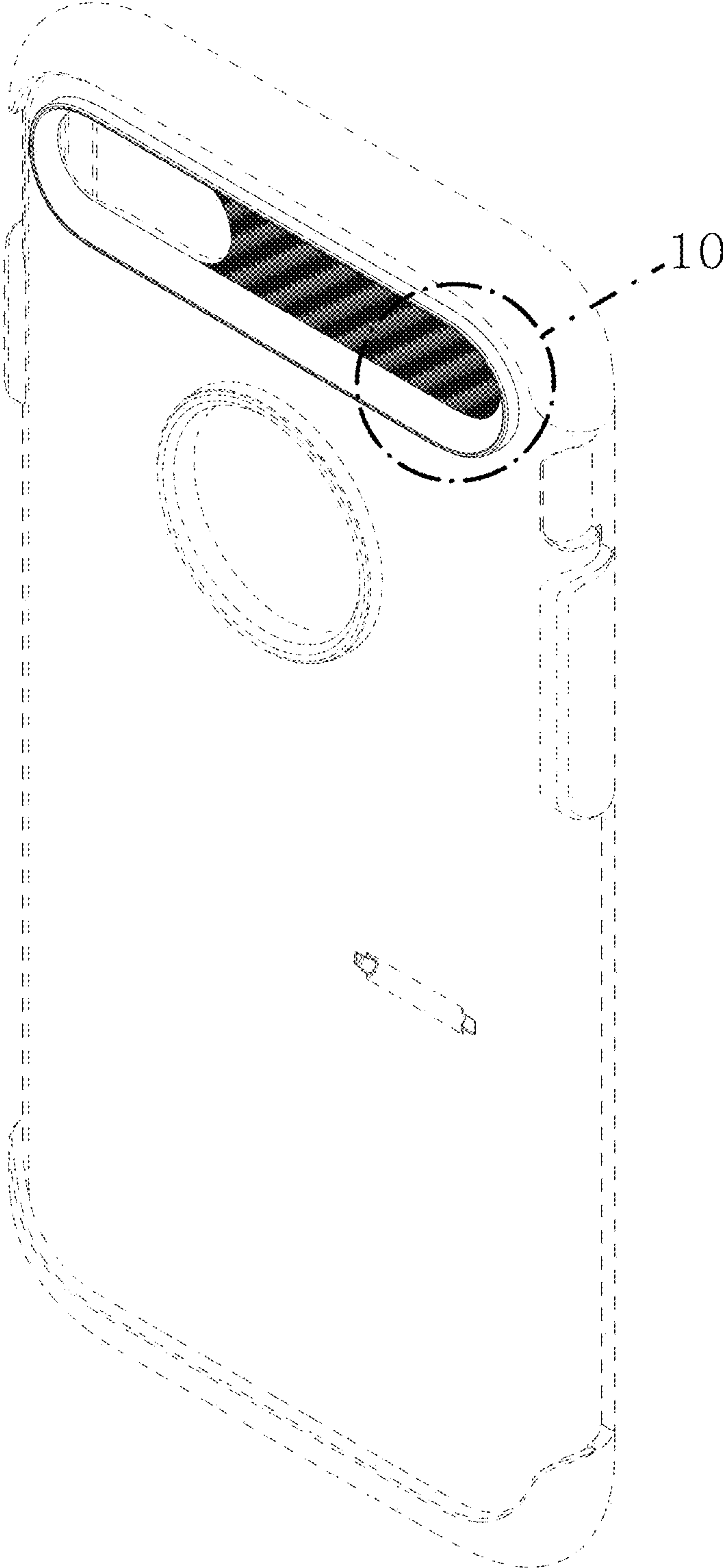


FIG. 9

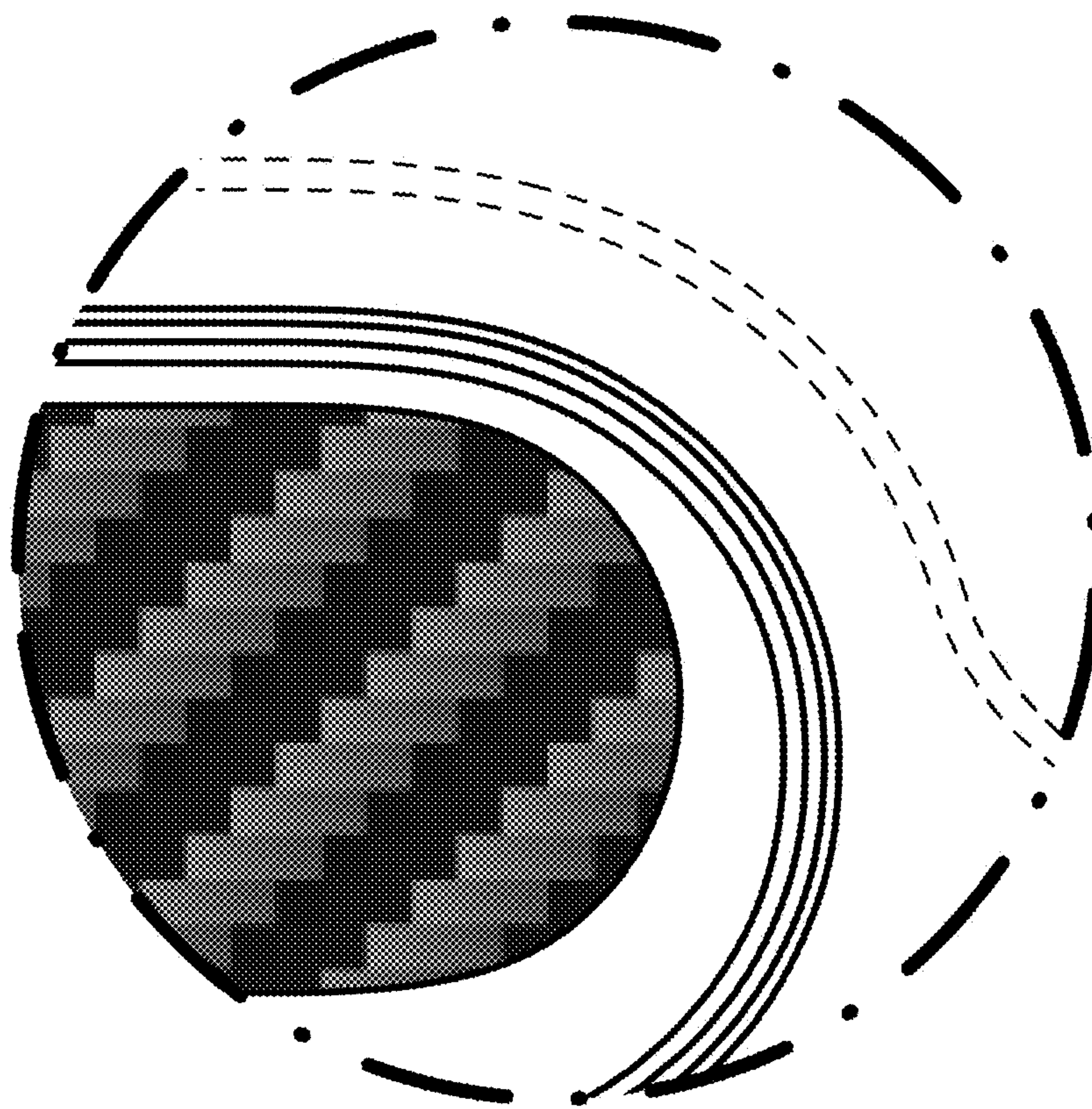


FIG. 10

