



US00D907615S

(12) **United States Design Patent** (10) **Patent No.:** **US D907,615 S**
Kim et al. (45) **Date of Patent:** **** Jan. 12, 2021**

(54) **MOBILE PHONE**

FOREIGN PATENT DOCUMENTS

(71) Applicant: **Samsung Electronics Co., Ltd.**,
Suwon-si (KR)

CN 305775015 * 5/2020
CN 305781398 * 5/2020

(Continued)

(72) Inventors: **Kangmoon Kim**, Suwon-si (KR);
Junho Jin, Suwon-si (KR); **Wonkyu**
Sung, Suwon-si (KR); **Dahyun Lee**,
Suwon-si (KR)

OTHER PUBLICATIONS

Samsung Galaxy Fold 5G, announced Feb. 2019, [online], [retrieved
on Aug. 27, 2020]. Retrieved from Internet ,<URL: <http://www.gsmarena.com>>.*

(Continued)

(73) Assignee: **SAMSUNG ELECTRONICS CO.,**
LTD., Suwon-si (KR)

(**) Term: **15 Years**

Primary Examiner — Bridget L Eland

(21) Appl. No.: **29/688,079**

(74) *Attorney, Agent, or Firm* — McAndrews Held &
Malloy, Ltd.

(22) Filed: **Apr. 18, 2019**

(30) **Foreign Application Priority Data**

(57) **CLAIM**

Oct. 19, 2018 (KR) 30-2018-0048122

The ornamental design for a mobile phone, as shown and
described.

(51) **LOC (13) Cl.** **14-03**

(52) **U.S. Cl.**
USPC **D14/248**

(58) **Field of Classification Search**
USPC D14/138 G, 138 AD, 138 AB, 248, 341,
D14/371, 374, 138 R, 138 AA, 138 AC,
D14/138 C, 247

CPC H04M 1/0202; H04M 1/0235; H04M
1/0237; H04M 1/0239; H04M 1/0266;
H04M 1/0268; H04M 1/027; H04M
1/0295; H04M 1/02; H04M 1/0279;
H04M 1/0283

See application file for complete search history.

(56) **References Cited**

U.S. PATENT DOCUMENTS

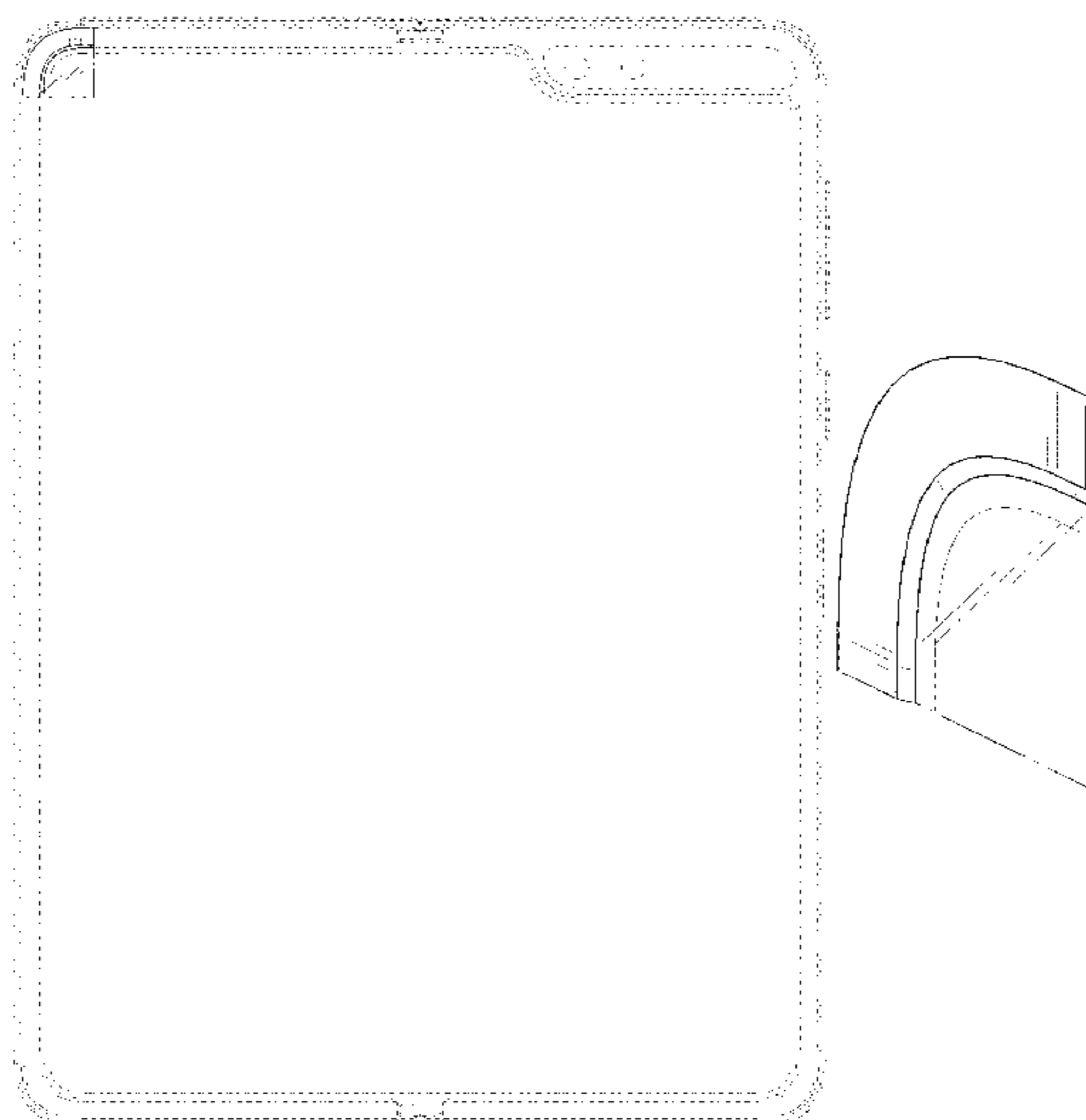
D502,173 S * 2/2005 Jung D13/158
D660,273 S * 5/2012 Jung D14/138 AD
D671,939 S * 12/2012 Chung G06F 1/1632
D14/374

(Continued)

DESCRIPTION

FIG. 1 is a front perspective view of a mobile phone showing
our new design;
FIG. 2 is a front elevation view thereof;
FIG. 3 is a rear elevation view thereof;
FIG. 4 is a left side elevation view thereof;
FIG. 5 is a right side elevation view thereof;
FIG. 6 is a top plan view thereof;
FIG. 7 is a bottom plan view thereof;
FIG. 8 is an enlarged view of the claimed portion of FIG. 1
shown separately for clarity of illustration; and,
FIG. 9 is front bottom right perspective view thereof.
The evenly-spaced dashed broken lines in the figures depict
portions of the mobile phone that form no part of the claimed
design. The dot-dash broken lines in FIGS. 1, 2, 8 and 9
define the bounds of the claimed design and form no part of
thereof.

1 Claim, 9 Drawing Sheets



(56)

References Cited

FOREIGN PATENT DOCUMENTS

U.S. PATENT DOCUMENTS

D676,818 S * 2/2013 Park D14/138 G
 D680,524 S * 4/2013 Feng D14/341
 D694,751 S * 12/2013 Ju D14/341
 D698,785 S * 2/2014 Canizares D14/341
 D710,349 S * 8/2014 Han D14/341
 D713,402 S * 9/2014 Akana D14/341
 D773,454 S * 12/2016 Akana D14/341
 D779,468 S * 2/2017 Kwak D14/248
 D800,719 S * 10/2017 Akana D14/341
 D809,505 S * 2/2018 Akana D14/341
 D820,800 S * 6/2018 Song D14/138 G
 D821,348 S * 6/2018 Song D14/138 G
 D822,017 S * 7/2018 Noh D14/341
 D845,287 S * 4/2019 Lee D14/248
 D864,142 S * 10/2019 Fan D14/138 AD
 D866,541 S * 11/2019 Park D14/248
 D866,542 S * 11/2019 Park D14/248
 D869,452 S * 12/2019 Kim D14/248
 D872,044 S * 1/2020 Lee D14/138 G
 D882,558 S * 4/2020 Song D14/248
 D890,737 S * 7/2020 Park D14/248
 2003/0089010 A1 * 5/2003 Wechter G09F 25/00
 40/584
 2019/0339739 A1 * 11/2019 Park H04M 1/0268

CN 305836461 * 6/2020
 IN 327514-001-0001 * 5/2020
 JP D1643842 * 10/2019
 JP D1643843 * 10/2019
 JP D1643844 * 10/2019
 JP D1643845 * 10/2019
 JP D1643846 * 10/2019
 JP D1643847 * 10/2019
 JP D1643848 * 10/2019
 JP D1643849 * 10/2019
 JP D1643850 * 10/2019

OTHER PUBLICATIONS

Samsung Galaxy Fold, announced Feb. 2019, [online], [retrieved on Jun. 26, 2020]. Retrieved from Internet ,<URL: <http://www.gsmarena.com>>.*

* cited by examiner

FIG. 1



FIG. 2

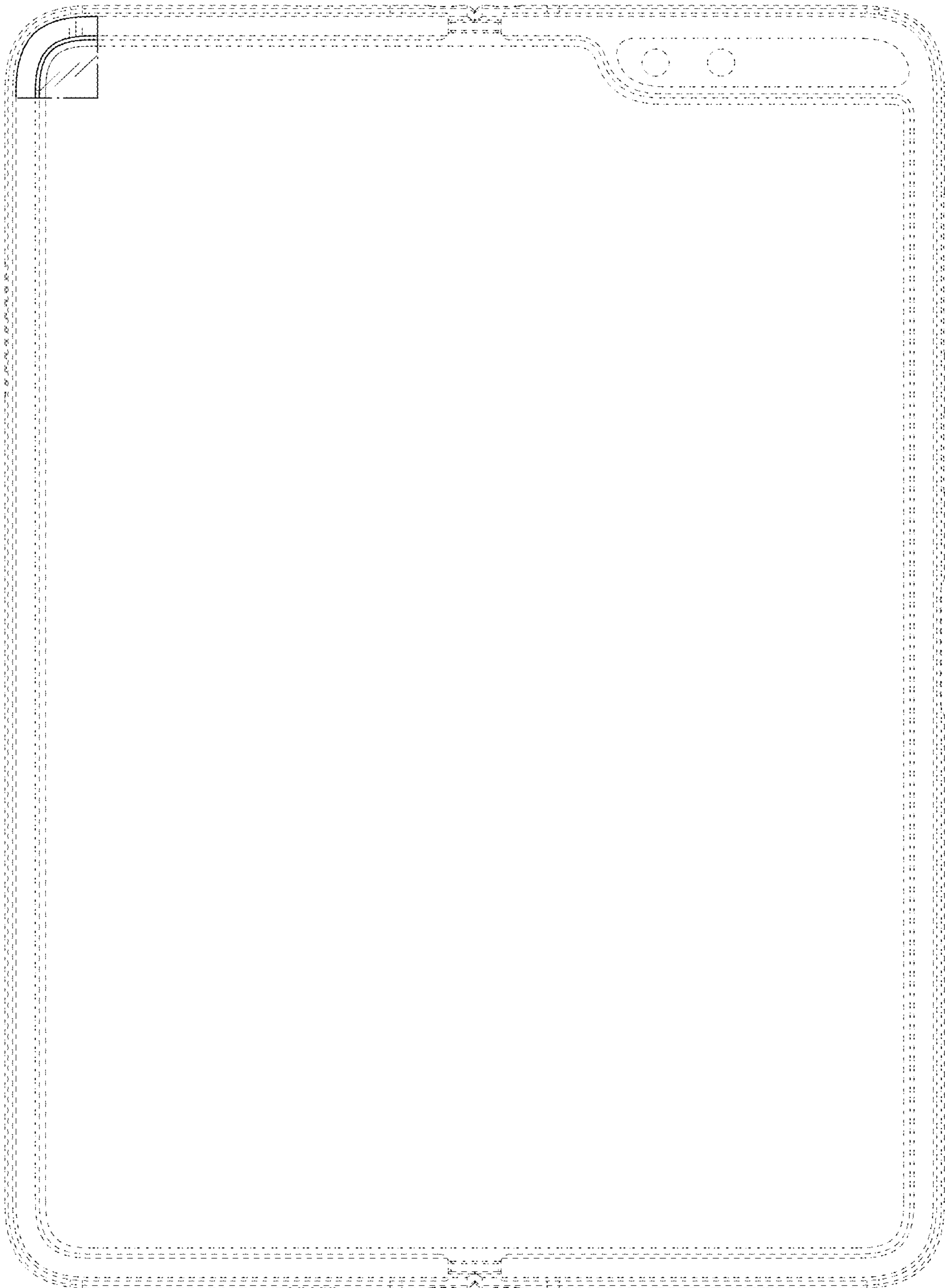


FIG. 3

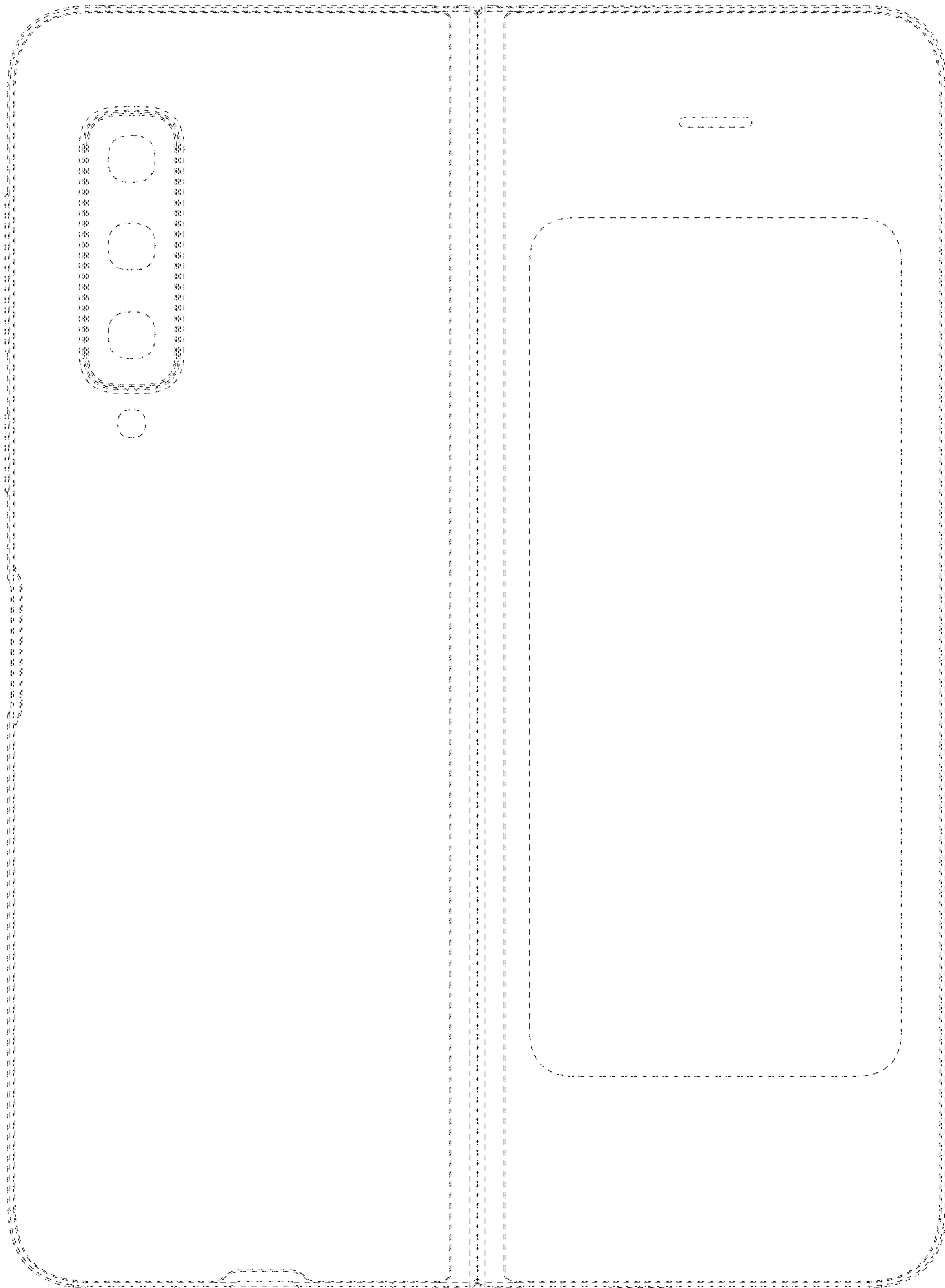


FIG. 4

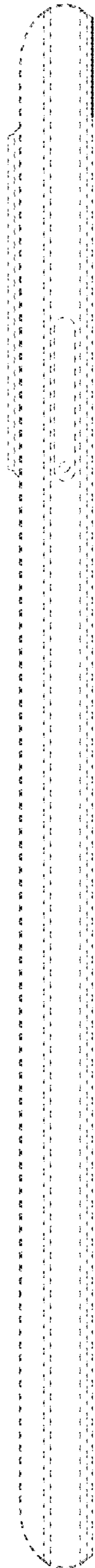


FIG. 5

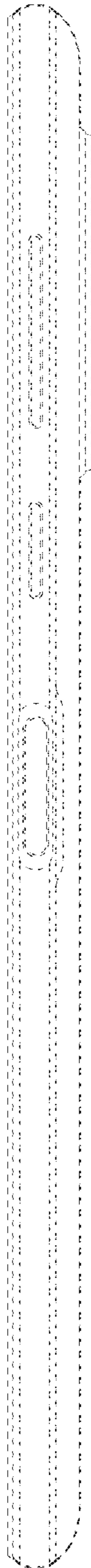


FIG. 6

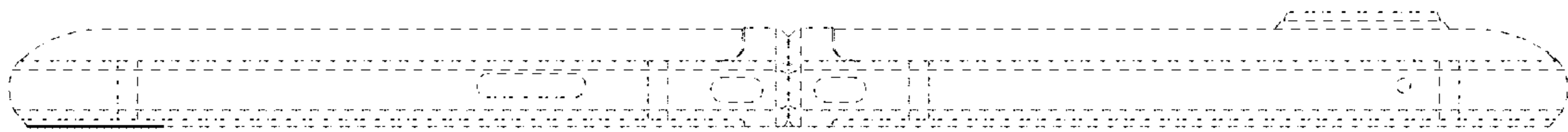


FIG. 7



FIG. 8

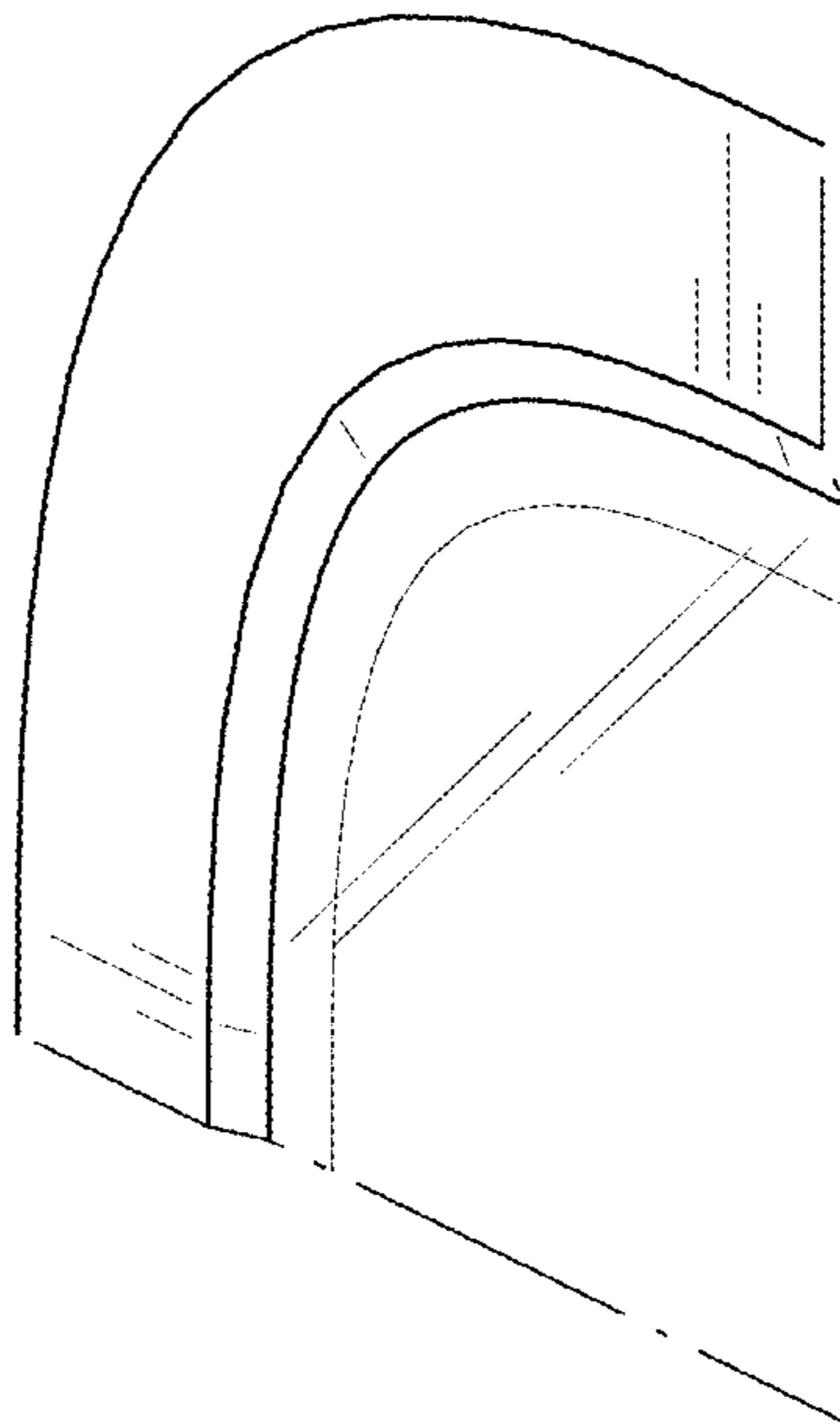


FIG. 9

