



US00D907614S

(12) **United States Design Patent** (10) **Patent No.:** **US D907,614 S**
Kim et al. (45) **Date of Patent:** **** Jan. 12, 2021**

(54) **MOBILE PHONE**

FOREIGN PATENT DOCUMENTS

(71) Applicant: **Samsung Electronics Co., Ltd.**,
Suwon-si (KR)

CN 305775015 * 5/2020
CN 305781398 * 5/2020

(Continued)

(72) Inventors: **Kangmoon Kim**, Suwon-si (KR);
Junho Jin, Suwon-si (KR); **Wonkyu**
Sung, Suwon-si (KR); **Dahyun Lee**,
Suwon-si (KR)

OTHER PUBLICATIONS

Samsung Galaxy Fold 5G, announced Feb. 2019, [online], [retrieved
on Aug. 27, 2020]. Retrieved from Internet ,<URL: <http://www.gsmarena.com>>.*

(Continued)

(73) Assignee: **SAMSUNG ELECTRONICS CO.,**
LTD., Suwon-si (KR)

Primary Examiner — Bridget L Eland

(**) Term: **15 Years**

(74) *Attorney, Agent, or Firm* — McAndrews Held &
Malloy, Ltd.

(21) Appl. No.: **29/688,077**

(22) Filed: **Apr. 18, 2019**

(57) **CLAIM**

(30) **Foreign Application Priority Data**

The ornamental design for a mobile phone, as shown and
described.

Oct. 19, 2018 (KR) 30-2018-0048118

(51) **LOC (13) Cl.** **14-03**

(52) **U.S. Cl.**
USPC **D14/248**

(58) **Field of Classification Search**
USPC D14/138 G, 138 AD, 138 AB, 248, 341,
D14/371, 374, 138 R, 138 AA, 138 AC,
D14/138 C, 247
CPC H04M 1/0202; H04M 1/0235; H04M
1/0237; H04M 1/0239; H04M 1/0266;
H04M 1/0268; H04M 1/027; H04M
1/0295;

(Continued)

DESCRIPTION

FIG. 1 is a front perspective view of a mobile phone showing
our new design;
FIG. 2 is a front elevation view thereof;
FIG. 3 is a rear elevation view thereof;
FIG. 4 is a left side elevation view thereof;
FIG. 5 is a right side elevation view thereof;
FIG. 6 is a top plan view thereof;
FIG. 7 is a bottom plan view thereof;
FIG. 8 is an enlarged view of the portion 8 encircled in FIG.
1; and,
FIG. 9 is an enlarged view of the portion 9 encircled in FIG.
1.

The evenly-spaced dashed broken lines in the figures depict
portions of the mobile phone that form no part of the claimed
design. The dot-dash broken lines in FIGS. 1, 2, 8, and 9
represent a boundary of the claimed design and form no part
of the claimed design. The dot-dot-dash broken lines in the

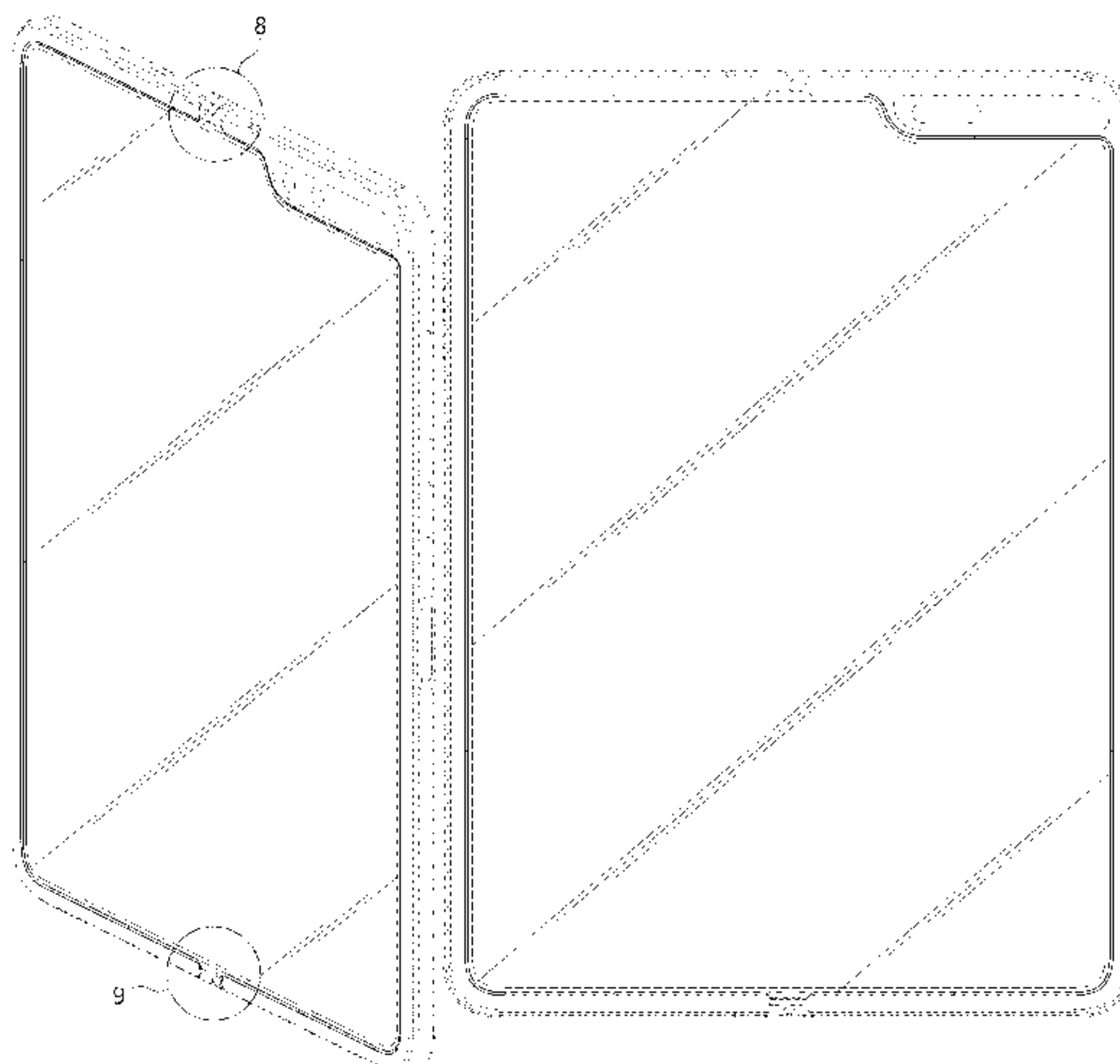
(Continued)

(56) **References Cited**

U.S. PATENT DOCUMENTS

D666,198 S * 8/2012 Van Den Nieuwenhuizen
D14/341

D673,560 S * 1/2013 Kim D14/341
(Continued)



drawings encircle portions of the claimed design that are illustrated in enlargements and form no part of the claimed design.

1 Claim, 9 Drawing Sheets

(58) **Field of Classification Search**

CPC ... H04M 1/02; H04M 1/0279; H04M 1/0283
See application file for complete search history.

(56)

References Cited

U.S. PATENT DOCUMENTS

D676,818 S * 2/2013 Park D14/138 G
D698,785 S * 2/2014 Canizares D14/341
D707,214 S * 6/2014 Reivo D14/248
D746,285 S * 12/2015 Okabe D14/345
D767,525 S * 9/2016 Byun D14/138 AB
D778,253 S * 2/2017 Kwak D14/138 AB
D788,774 S * 6/2017 Seo D14/345
D794,004 S * 8/2017 Kwon D14/248
D794,005 S * 8/2017 Kwon D14/248
D794,623 S * 8/2017 Kwon D14/248
D798,851 S * 10/2017 Kim D14/248
D798,852 S * 10/2017 Kim D14/248
D800,710 S * 10/2017 Ryu D14/248
D801,321 S * 10/2017 Kim D14/248
D801,363 S * 10/2017 Perez D14/486

D810,094 S * 2/2018 Matsuda D14/485
D822,017 S * 7/2018 Noh D14/341
D825,513 S * 8/2018 Seo D14/138 AB
D826,203 S * 8/2018 Seo D14/138 AB
D826,889 S * 8/2018 Seo D14/138 AB
D841,633 S * 2/2019 Kim D14/248
10,736,211 B2 * 8/2020 Park G06F 1/1616
2019/0166703 A1 * 5/2019 Kim G06F 1/1681
2019/0339739 A1 * 11/2019 Park H04M 1/0268

FOREIGN PATENT DOCUMENTS

CN 305836461 * 6/2020
IN 327514-001-0001 * 5/2020
JP D1643842 * 10/2019
JP D1643843 * 10/2019
JP D1643844 * 10/2019
JP D1643845 * 10/2019
JP D1643846 * 10/2019
JP D1643847 * 10/2019
JP D1643848 * 10/2019
JP D1643849 * 10/2019
JP D1643850 * 10/2019

OTHER PUBLICATIONS

Samsung Galaxy Fold, announced Feb. 2019, [online], [retrieved on Jun. 26, 2020]. Retrieved from Internet, <URL: <http://www.gsmarena.com>>.*

* cited by examiner

FIG. 1

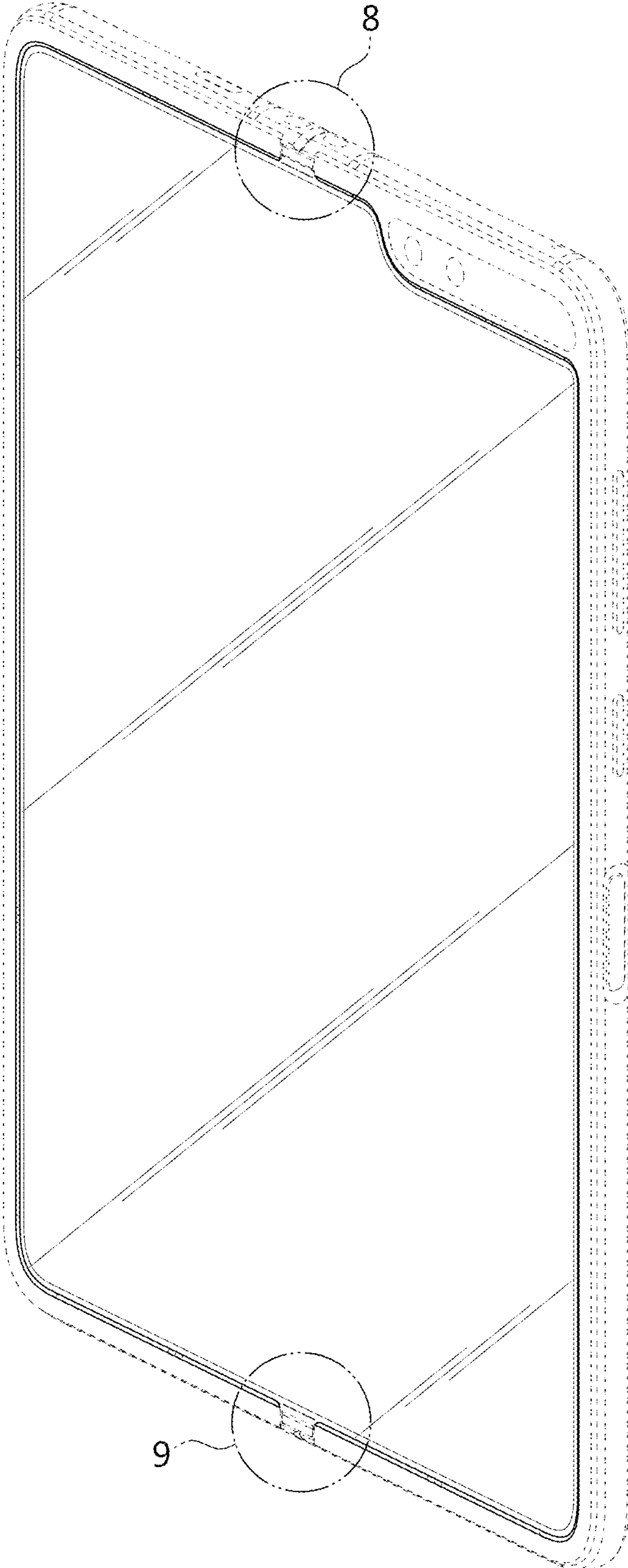


FIG. 2

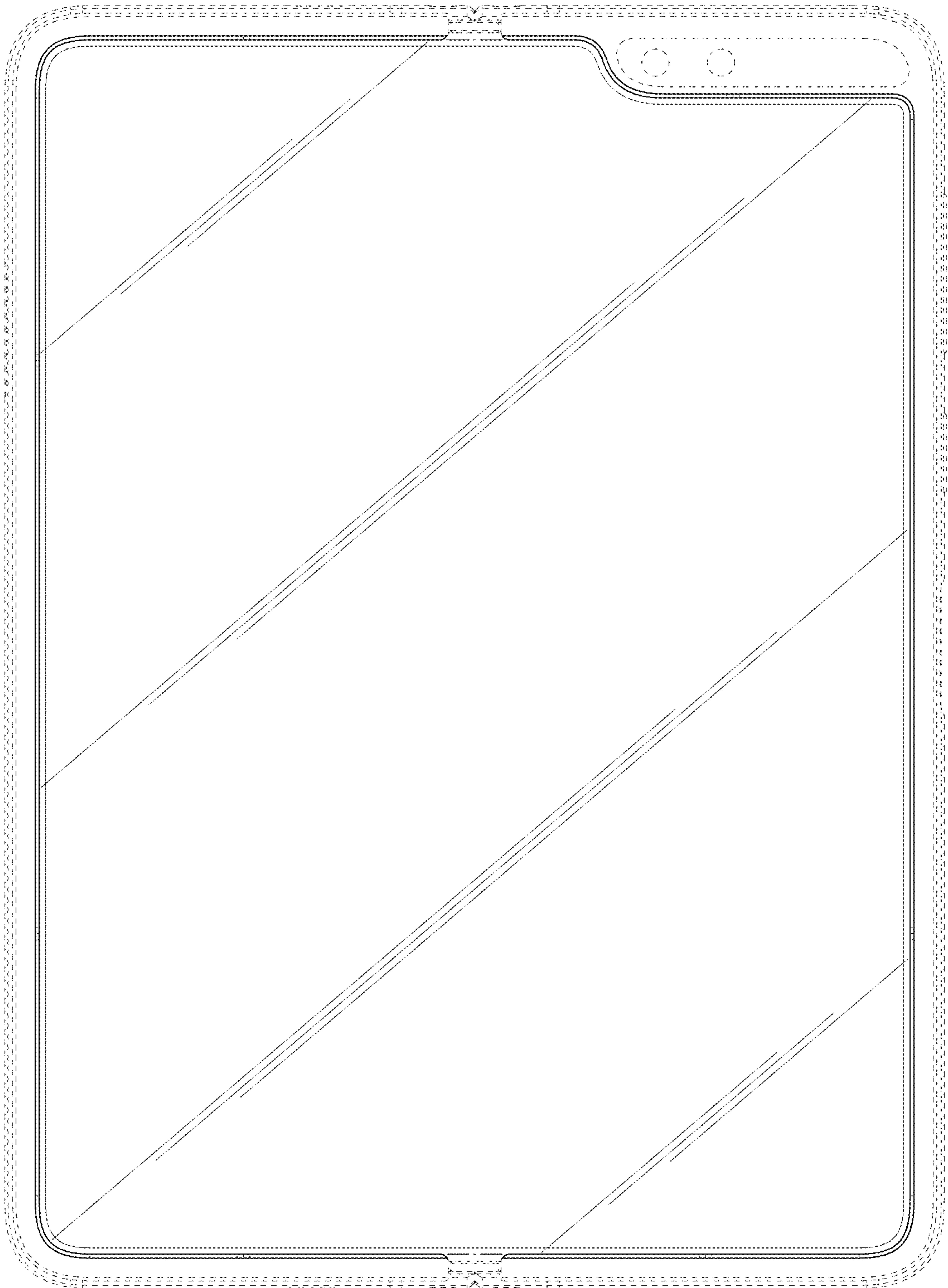


FIG. 3

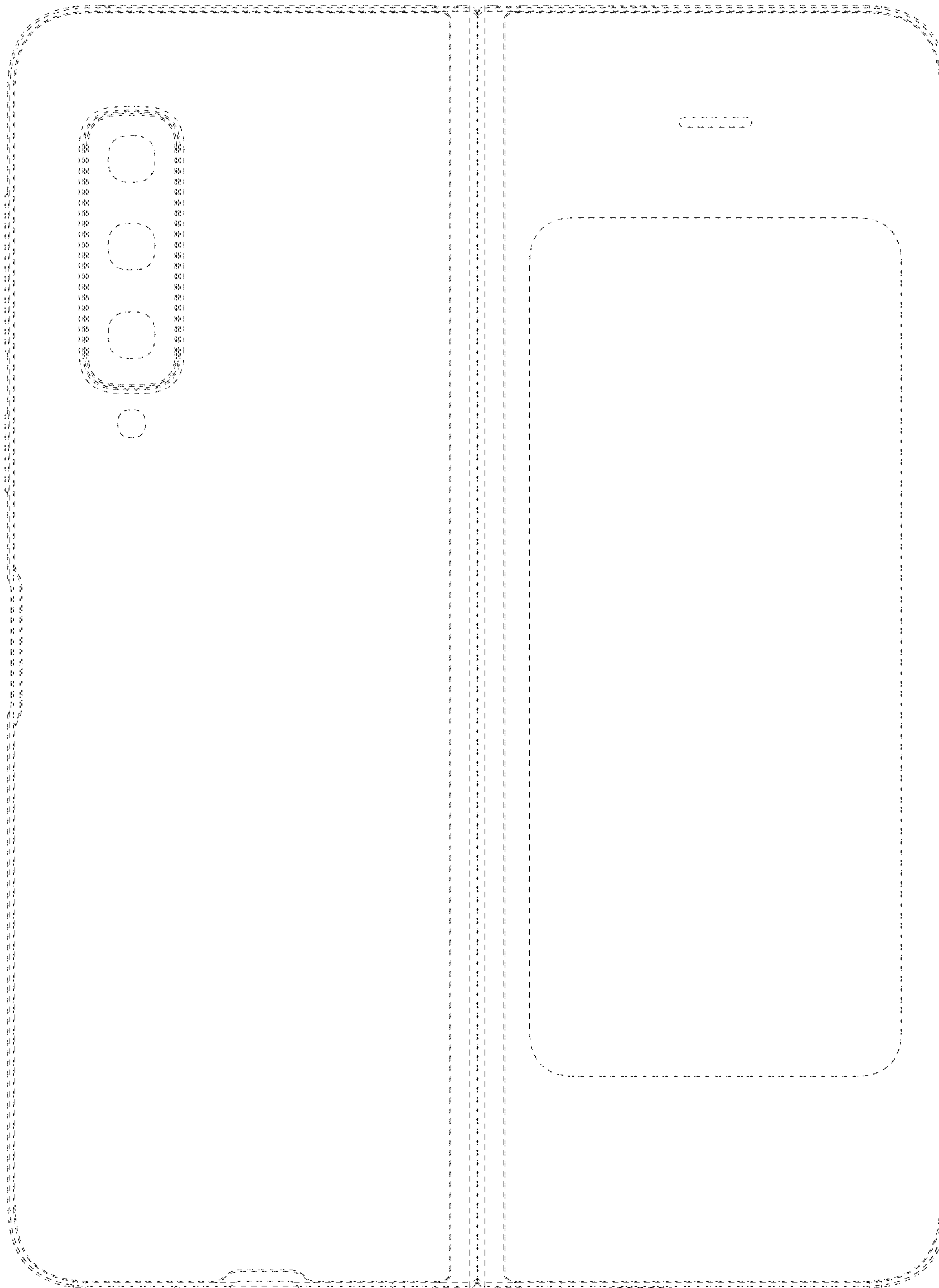


FIG. 4

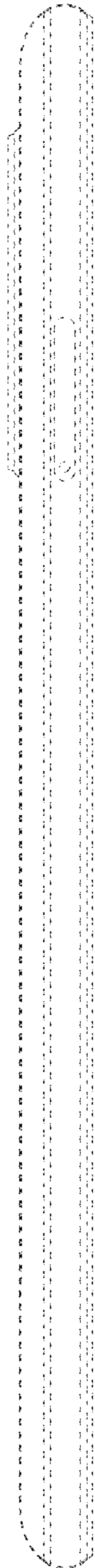


FIG. 5

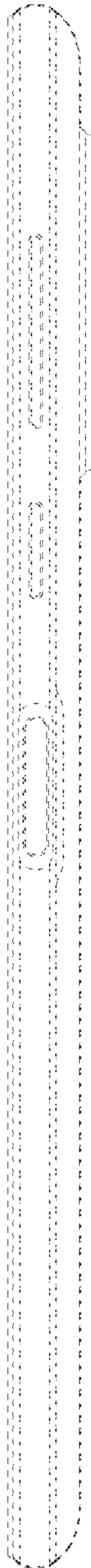


FIG. 6

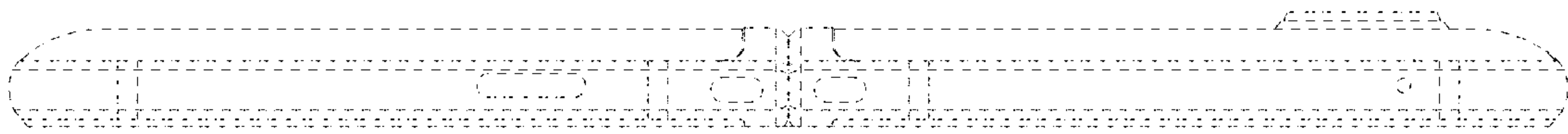


FIG. 7

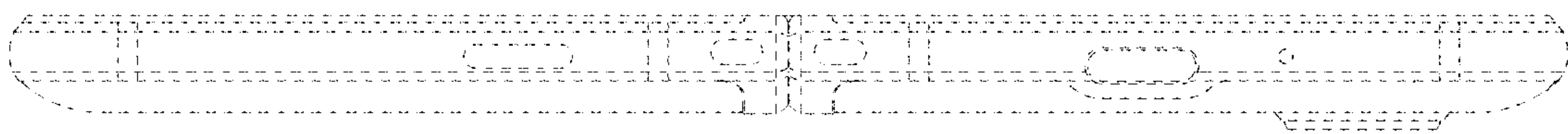


FIG. 8

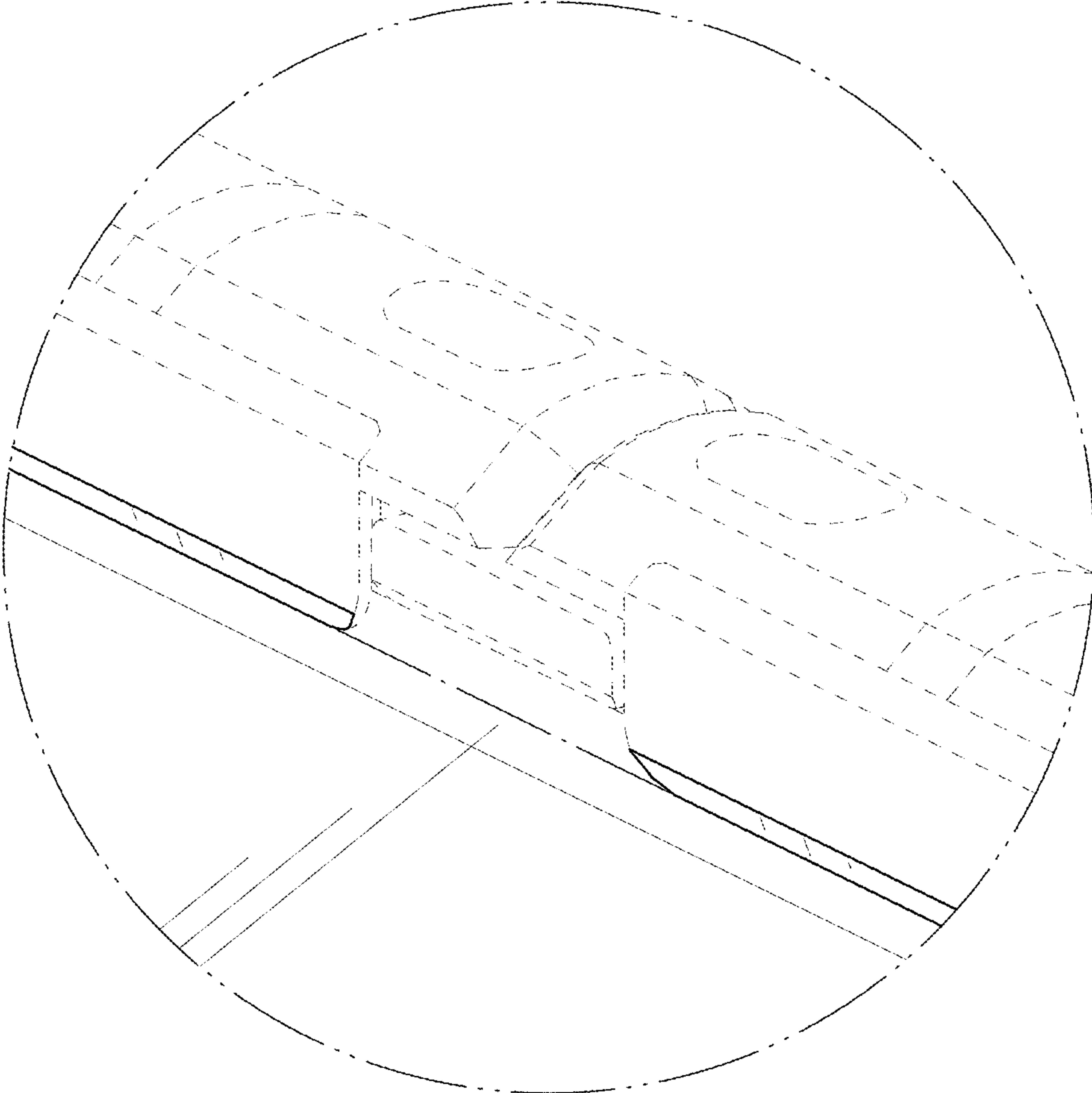


FIG. 9

