



US00D907609S

(12) **United States Design Patent**
Courtney et al.

(10) **Patent No.:** **US D907,609 S**
(45) **Date of Patent:** **** *Jan. 12, 2021**

(54) **ILLUMINATED ANTENNA COVER**

(71) Applicant: **Lutron Technology Company LLC**,
Coopersburg, PA (US)
(72) Inventors: **Brian Michael Courtney**, Bethlehem,
PA (US); **Brad Michael Kreschollek**,
Bethlehem, PA (US); **Jason C. Killo**,
Emmaus, PA (US); **Glenn Stone**
Laverty, IV, Coopersburg, PA (US);
Matthew Philip McDonald,
Phoenixville, PA (US); **Daniel L.**
Twaddell, Allentown, PA (US)

(73) Assignee: **Lutron Technology Company LLC**,
Coopersburg, PA (US)

(*) Notice: This patent is subject to a terminal dis-
claimer.

(**) Term: **15 Years**

(21) Appl. No.: **29/715,543**

(22) Filed: **Dec. 3, 2019**

Related U.S. Application Data

(63) Continuation of application No. 29/679,941, filed on
Feb. 12, 2019, now Pat. No. Des. 872,713, which is
(Continued)

(51) **LOC (13) Cl.** **14-03**

(52) **U.S. Cl.**
USPC **D14/230**

(58) **Field of Classification Search**
USPC D14/138, 230–238.1, 299, 358;
D12/42–43, 345, 400; D13/182; D8/396;
(Continued)

(56) **References Cited**

U.S. PATENT DOCUMENTS

D41,502 S 6/1911 Becker
D69,295 S 1/1926 Vandergaw et al.
(Continued)

OTHER PUBLICATIONS

Youtube, Taylor Swift (1989) Bad Blood Music Concert Decora-
tions Led Glow Stick, posted Jul. 23, 2015 [online]. Available from
Internet: <<https://www.youtube.com/watch?v=0gXxbmzM1aY>>.

(Continued)

Primary Examiner — Lilyana Bekic
Assistant Examiner — Mary Shannon Malley
(74) *Attorney, Agent, or Firm* — Saidman DesignLaw
Group, LLC

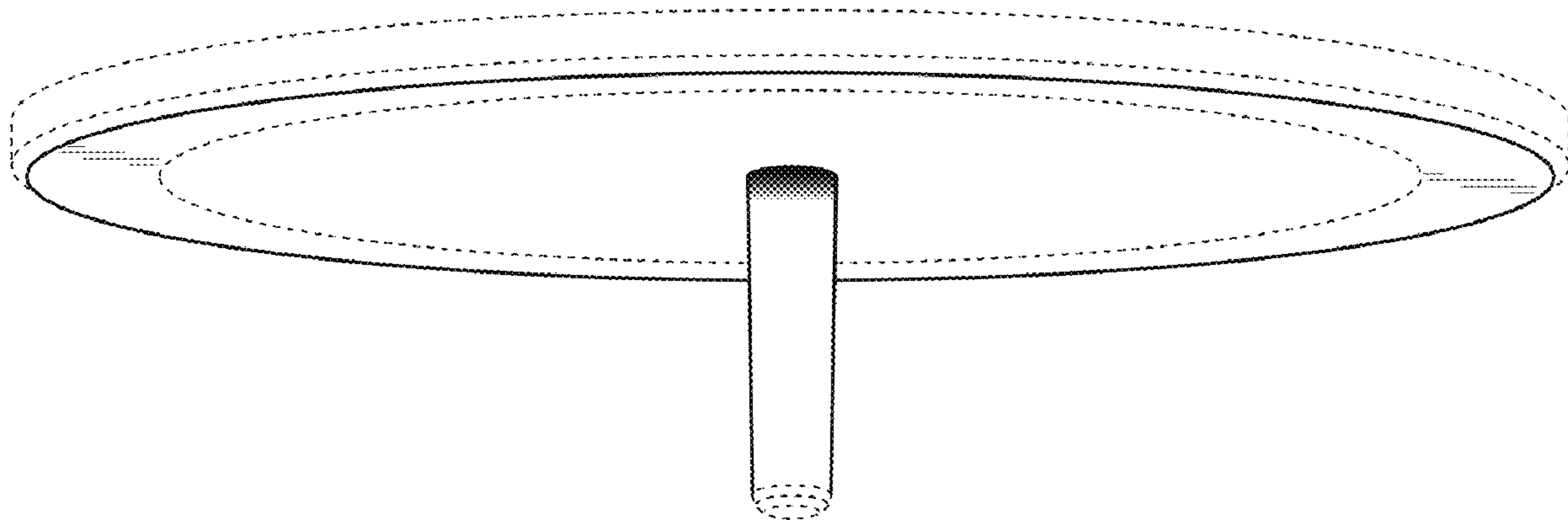
(57) **CLAIM**

The ornamental design for an illuminated antenna cover, as
shown and described.

DESCRIPTION

FIG. 1 is a side perspective view showing a first state in a
sequence of an illuminated antenna cover showing our new
design;
FIG. 2 is a side view thereof;
FIG. 3 is a bottom view thereof;
FIG. 4 is a side perspective view showing a second state
thereof;
FIG. 5 is a side view thereof;
FIG. 6 is a bottom view thereof;
FIG. 7 is a side perspective view showing a third state
thereof;
FIG. 8 is a side view thereof;
FIG. 9 is a bottom view thereof;
FIG. 10 is a side perspective view showing a fourth state
thereof;
FIG. 11 is a side view thereof;
FIG. 12 is a bottom view thereof;
FIG. 13 is a side perspective view showing a fifth state
thereof;
FIG. 14 is a side view thereof; and,
FIG. 15 is a bottom view thereof.
The broken lines immediately adjacent to the surfaces with
shade lines represent boundaries of the claimed design; all
other broken lines show portions of the illuminated antenna
cover that form no part of the claimed design.

(Continued)



The claimed design includes gray shaded elements which represent illumination. Within a gray shaded element, the gradations of dark gray to light gray represent illumination of varying brightness or intensity, darker gray shading representing greater brightness and lighter gray shading representing lesser brightness.
The claimed design sequentially transitions from the first state to the last state in the sequence. The period with which one image transitions to another image forms no part of the claimed design.

1 Claim, 10 Drawing Sheets

Related U.S. Application Data

a continuation of application No. 29/645,116, filed on Apr. 24, 2018, now Pat. No. Des. 844,590, which is a continuation of application No. 29/544,117, filed on Oct. 30, 2015, now Pat. No. Des. 816,641.

(58) **Field of Classification Search**

USPC 248/68.1; 343/711–713, 700 R–705, 819, 343/871–908, 795, 840, 841, 846, 773, 343/807; D6/682, 610; D22/147; D25/67; 29/600; D26/2, 27, 51, 60, 67, D26/68, 72, 76, 79, 88, 101, 104, 93; D5/25, 57
CPC F16L 3/2235; F16L 3/227; F16L 3/221; Y10T 403/7141; H01L 33/48; H01L 33/486; H01L 23/02; H05K 5/00; H05K 11/00; H01Q 13/10; H01Q 7/00; H01Q 9/285; H01Q 19/30; H01Q 19/12; H01Q 1/38; H01Q 1/42; H01Q 1/28; H01Q 1/3275; H01Q 1/1235; H01Q 1/1228; H01Q 1/1207; H01Q 1/52; H01Q 1/281; H01Q 1/08; H01Q 1/1242; H01Q 1/125; H01Q 21/06; H01Q 1/246; H01Q 11/08; B64C 7/00; B64G 1/222; E04B 1/3441; E04B 1/1903; E04G 11/48; E04G 7/14; E04C 3/005; E04C 3/08; A63B 1/00; C04B 35/584; F41H 11/02; F42B 15/34; G01C 21/005; F21Y 2101/00; F21L 4/02; F21V 23/0414; H01J 5/56; H01J 61/30

See application file for complete search history.

(56)

References Cited

U.S. PATENT DOCUMENTS

D370,919 S	6/1996	Mada et al.	
D403,549 S	1/1999	Dudash	
5,923,302 A	7/1999	Waterman et al.	
6,133,885 A	10/2000	Luniak et al.	
6,275,198 B1	8/2001	Kenoun et al.	
6,359,592 B1	3/2002	Chen et al.	
D457,669 S	5/2002	Pieprgras et al.	
6,661,391 B2	12/2003	Ohara et al.	
6,707,430 B2	3/2004	Sakaguchi et al.	
D589,205 S	3/2009	Sabernig	
D594,686 S	6/2009	Bodum	
7,868,832 B2	1/2011	Krishtul	
D735,368 S	7/2015	McGrath et al.	
D780,128 S	2/2017	Bollinger, Jr. et al.	
D816,641 S	5/2018	Courtney et al.	
D842,254 S	3/2019	Marrapode et al.	
D844,590 S	4/2019	Courtney et al.	
10,355,367 B2	7/2019	Henry et al.	
2004/0183727 A1	9/2004	Choi	
2005/0104782 A1	5/2005	Peled et al.	
2006/0017650 A1	1/2006	Allen et al.	
2006/0187137 A1	8/2006	Waltman	
2008/0074332 A1	3/2008	Arronte et al.	
2017/0354566 A1	12/2017	Zhu et al.	
2017/0365754 A1	12/2017	Fukasawa et al.	
2018/0337449 A1	11/2018	Runyon et al.	
2018/0356086 A1	12/2018	Maxik et al.	
2019/0214739 A1	7/2019	Rodríguez-Cano et al.	
2019/0289247 A1*	9/2019	Yang	H01Q 1/521
2020/0091618 A1*	3/2020	Ng	H01Q 21/28

OTHER PUBLICATIONS

Youtube, Taylor Swift Concert Multi Zone Remote Control Led Stick/DMX Led Stick, posted Jul. 3, 2015 [online]. Available from Internet: <<https://www.youtube.com/watch?v=pPNBjZidqL0>>.
Lutron Electronics Co., Inc., Stanza Hotel Guestroom Light Control Brochure, Feb. 20, 2008, 12 pages.
Dyalite Intelligent Light Pty Ltd., Light News, Aug. 2005, 8 pages, issue 2.
INNCOM, GS-700 Family Glass Series Switches Sell Sheet, Nov. 2008, 2 pages.
Basalte BVBA, Sentido KNX v3.1 Manual, 2012, pp. 1-3.
Business Wire, “New Vive™ Wireless Lighting Control System . . . ” posted at [businesswire.com](https://www.businesswire.com/news/home/20160426006338/en/New-Vive%E2%84%A2-Wireless-Lighting-Control-System-Lutron), posted Apr. 26, 2016 [online]. Available from Internet: <<https://www.businesswire.com/news/home/20160426006338/en/New-Vive%E2%84%A2-Wireless-Lighting-Control-System-Lutron>>.

* cited by examiner

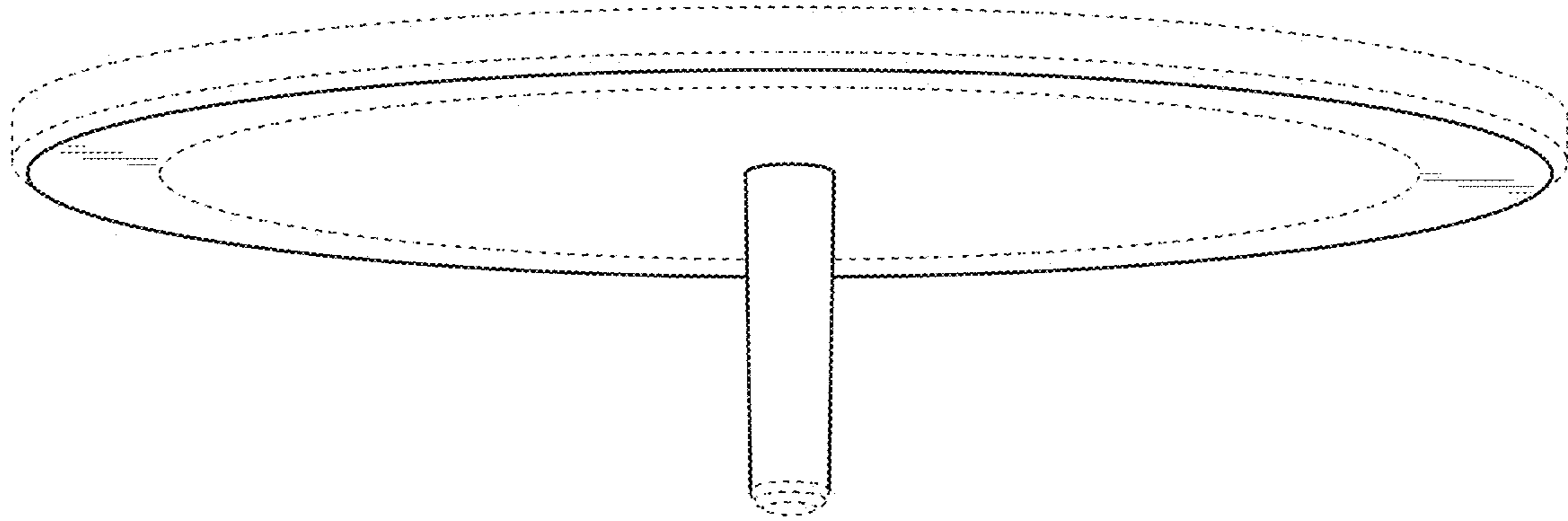


Fig. 1

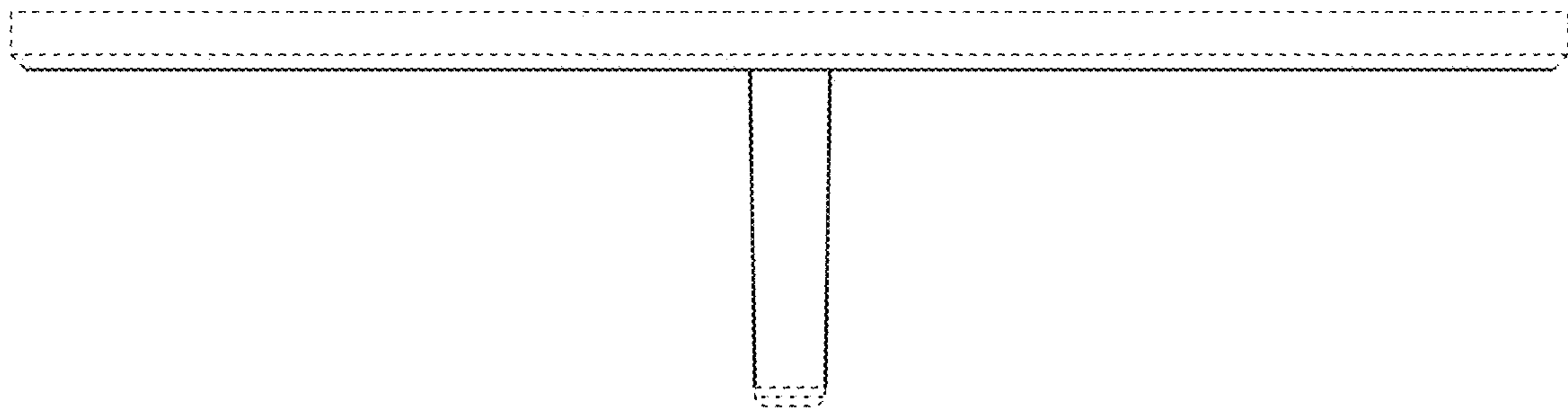


Fig. 2

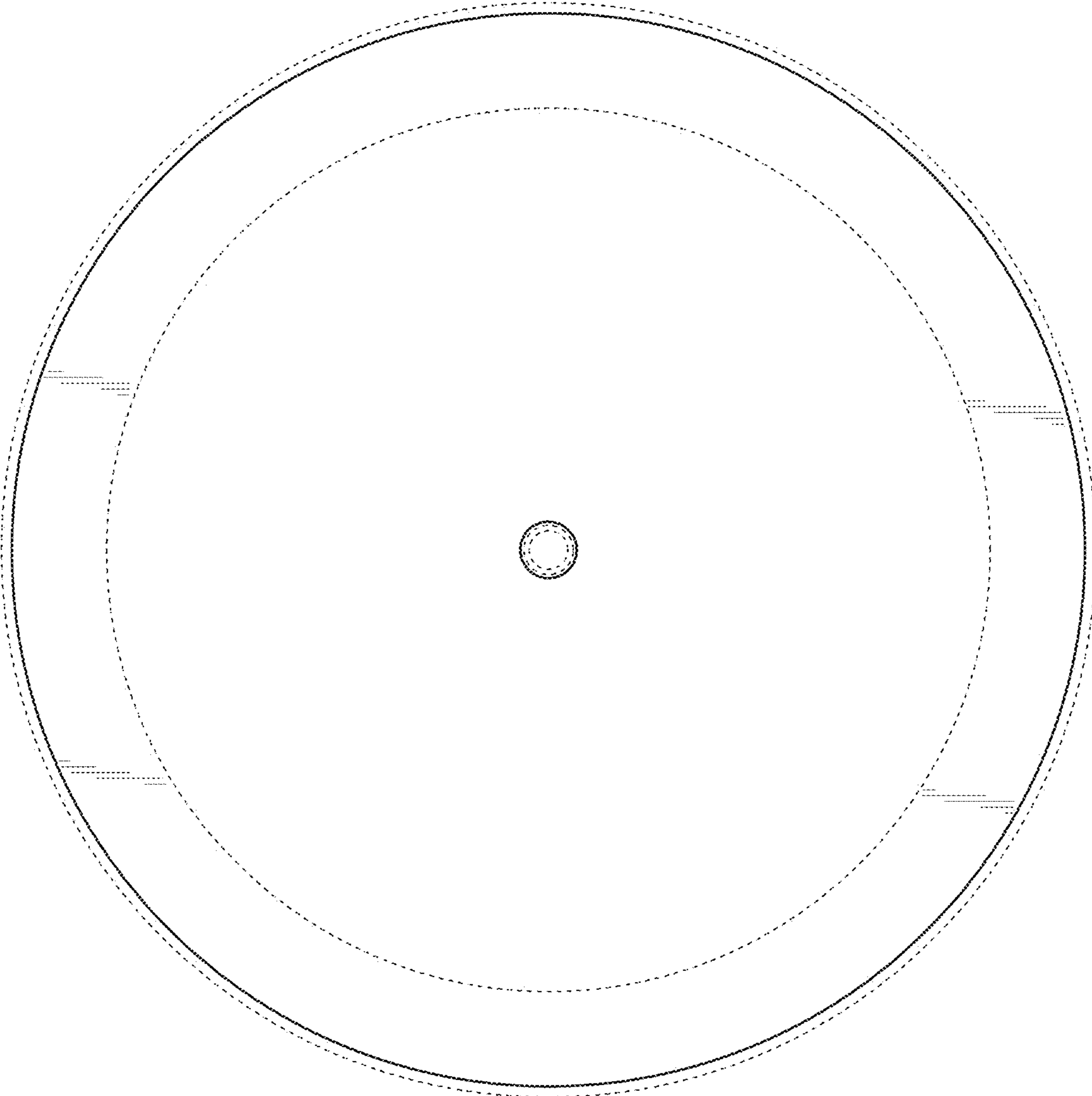


Fig. 3

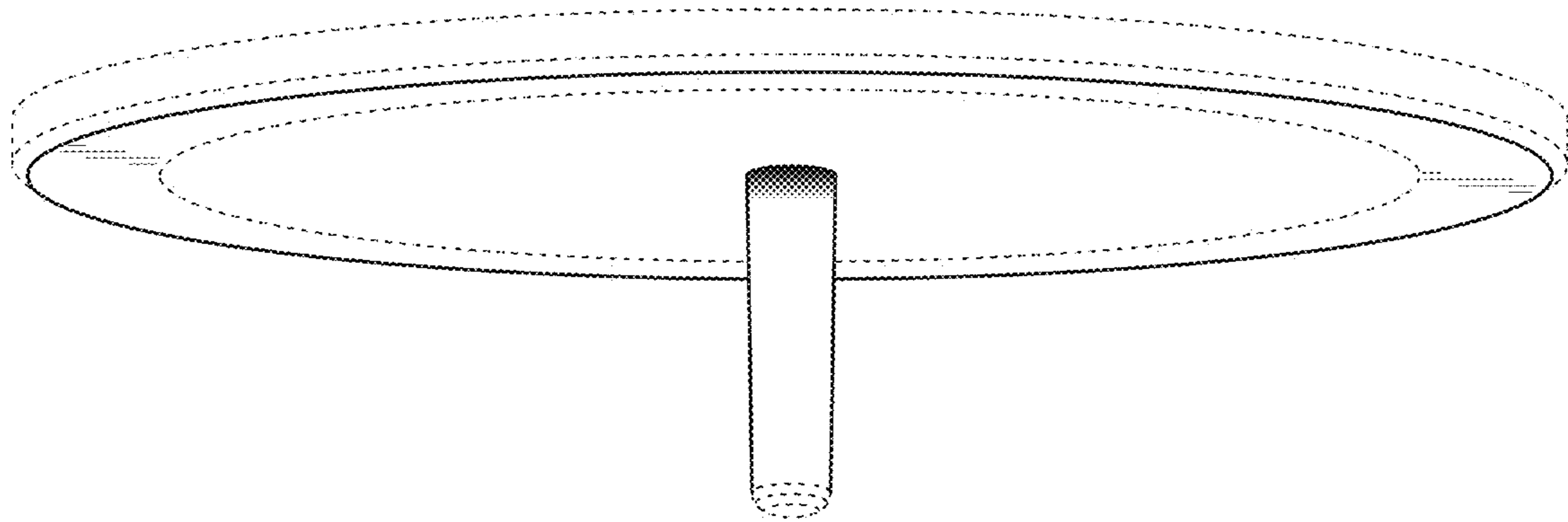


Fig. 4

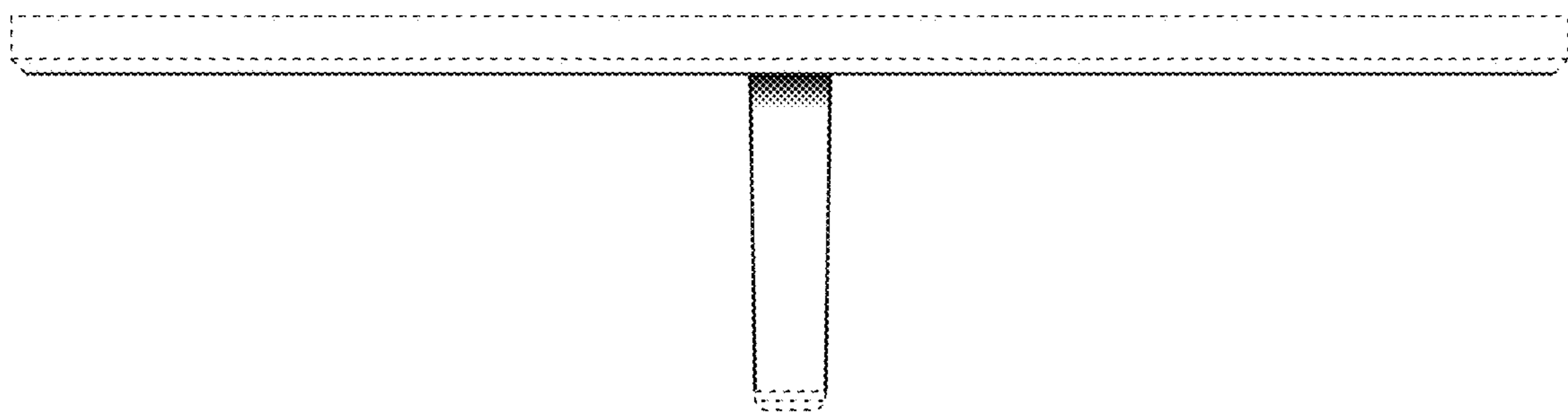


Fig. 5

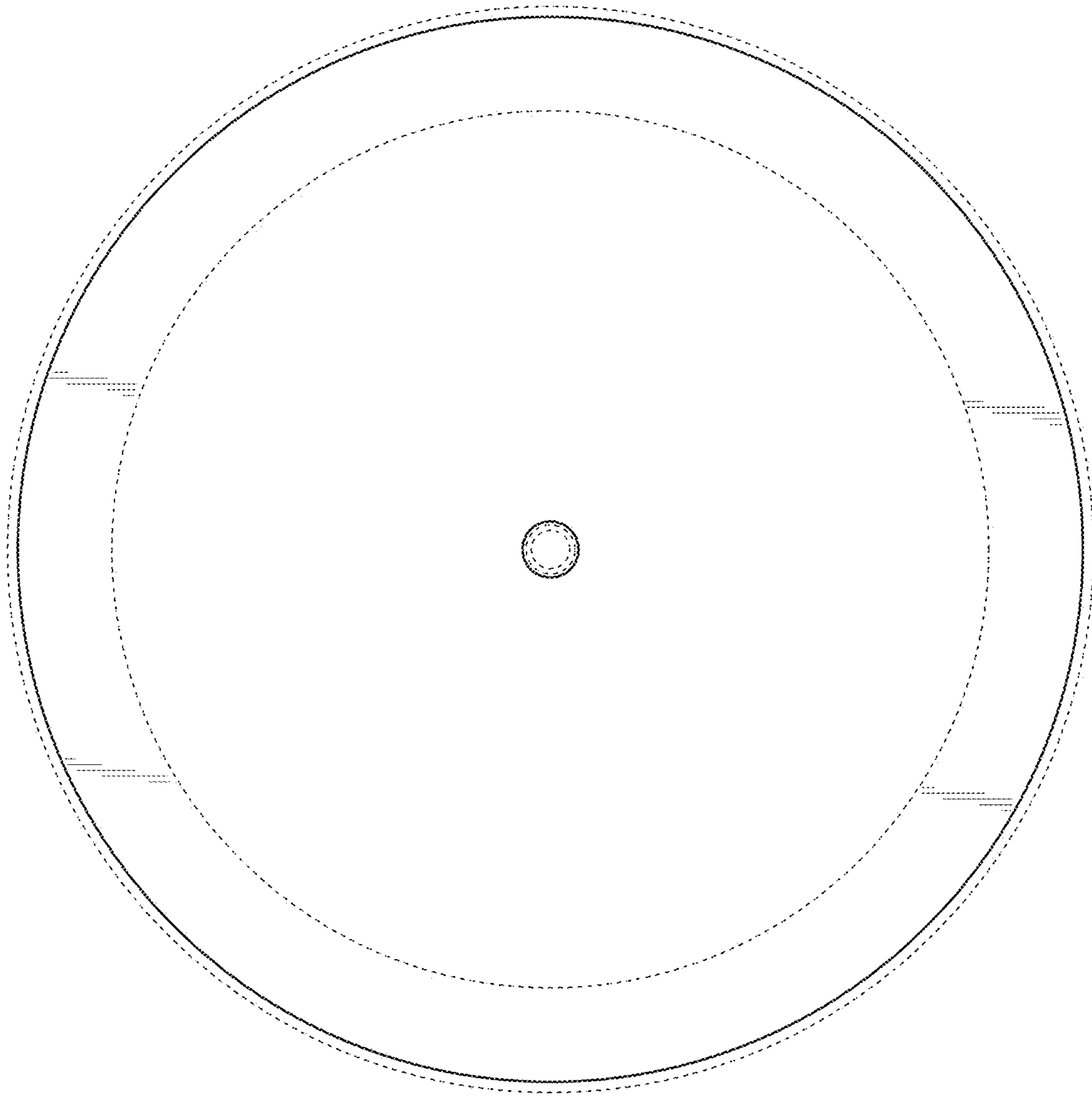


Fig. 6

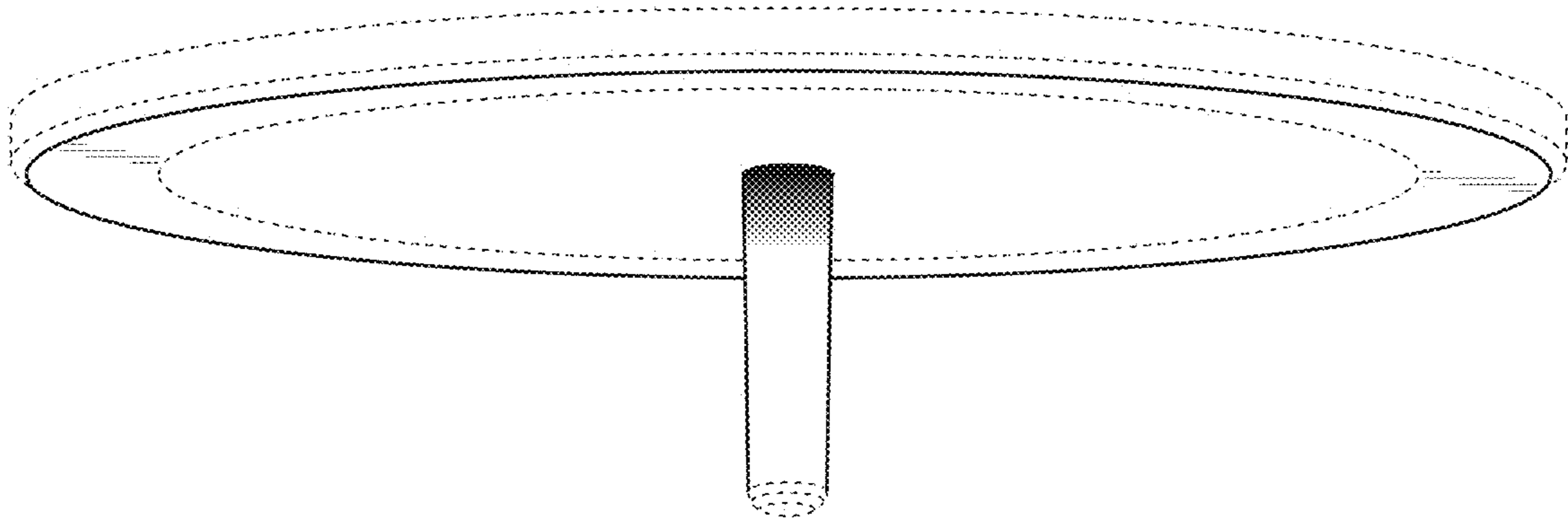


Fig. 7

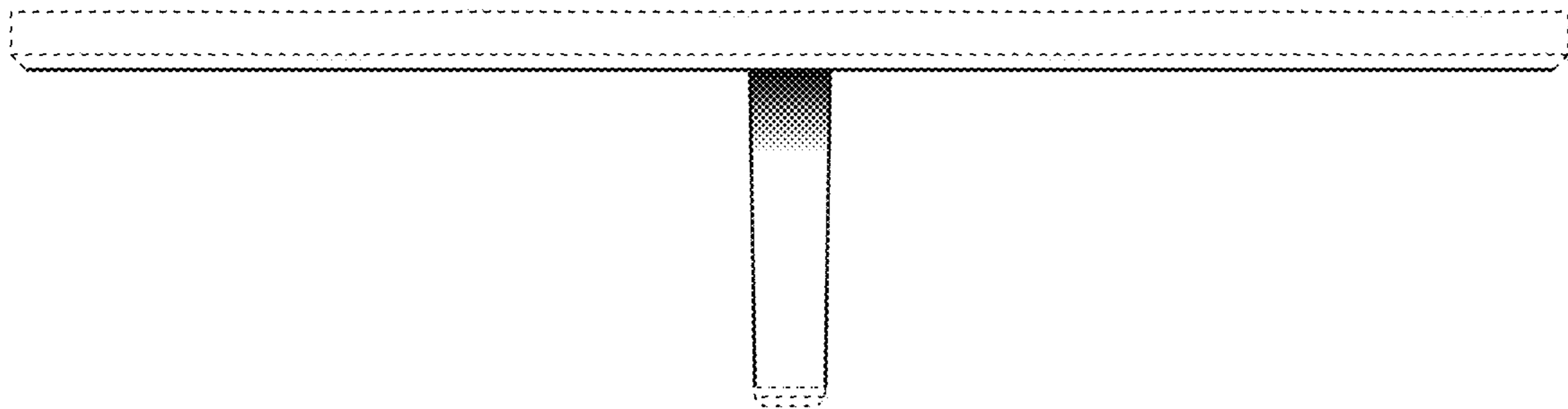


Fig. 8

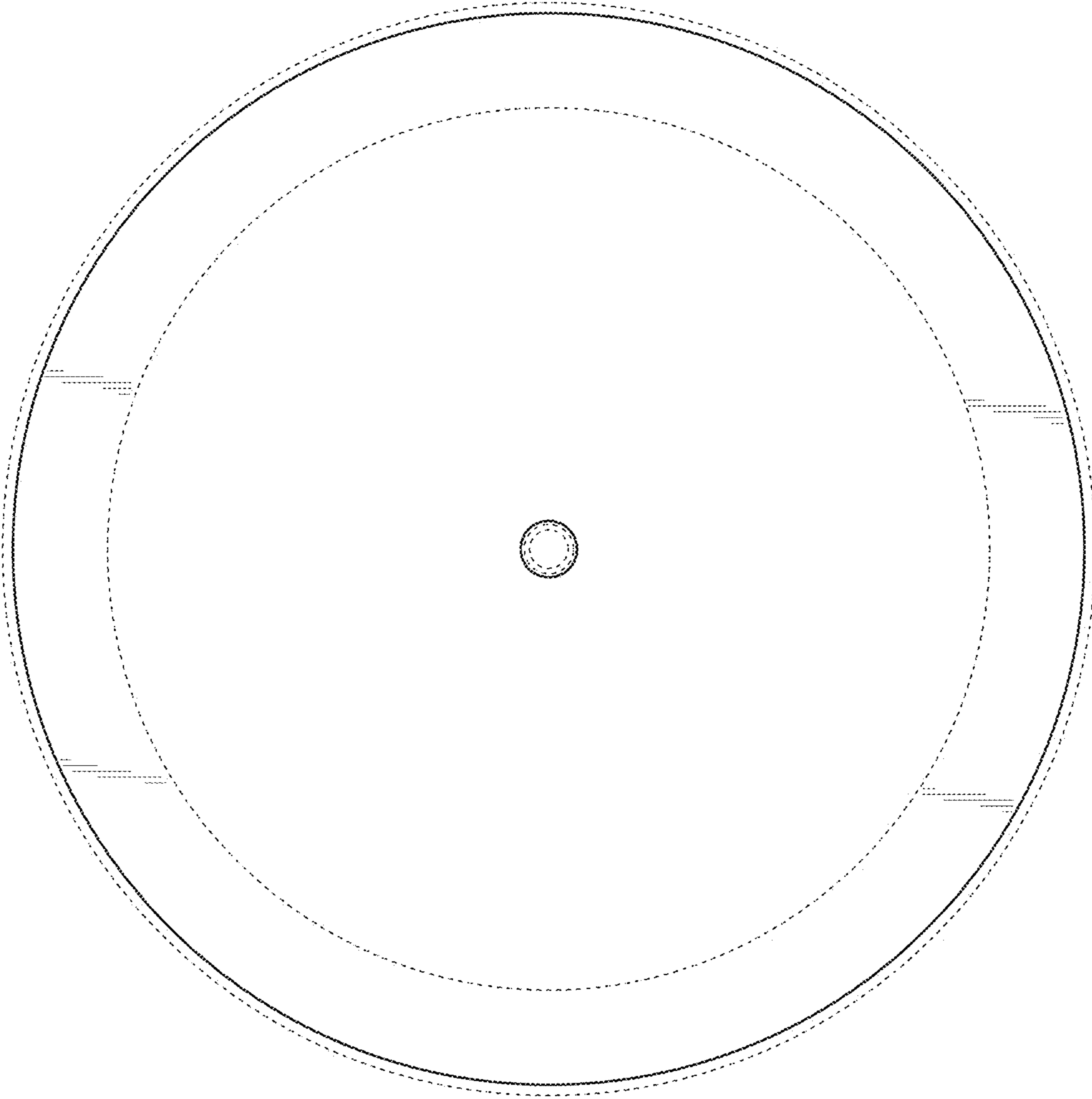


Fig. 9

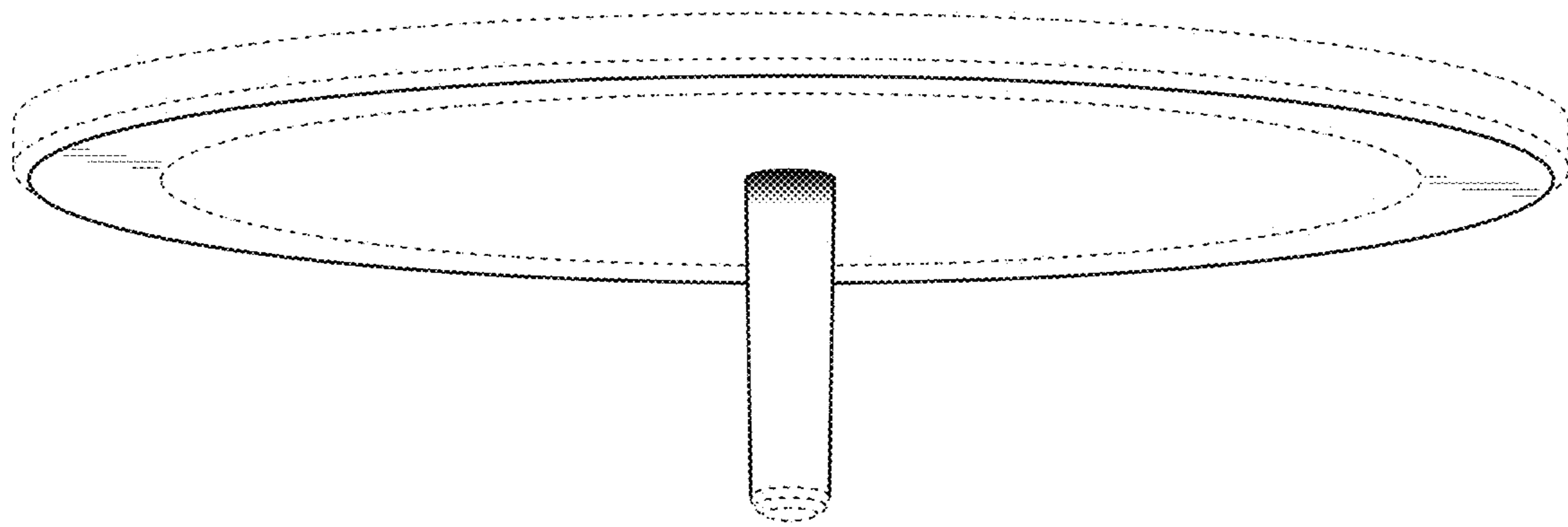


Fig. 10

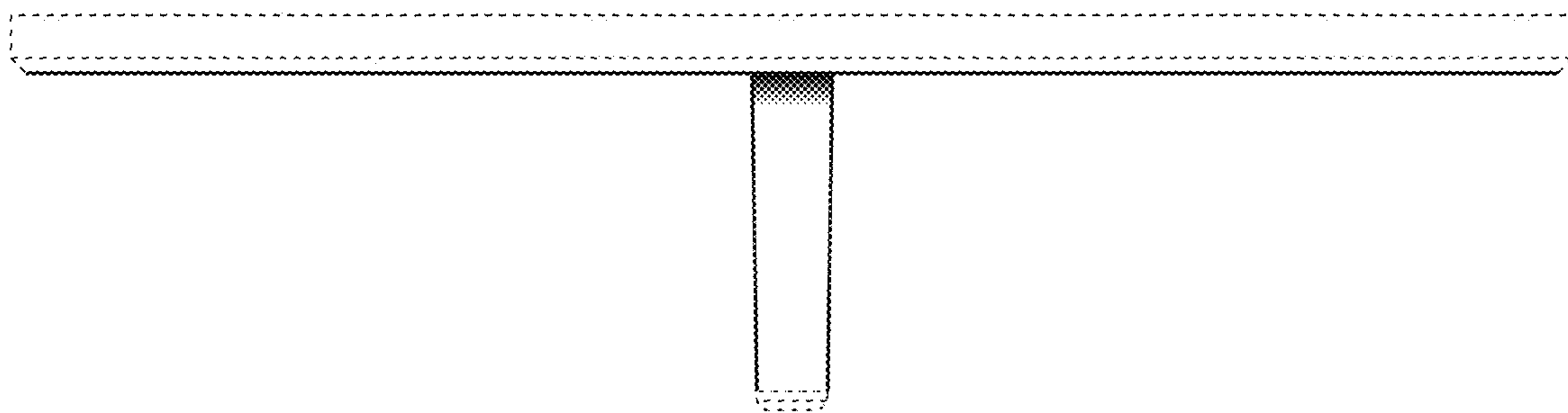


Fig. 11

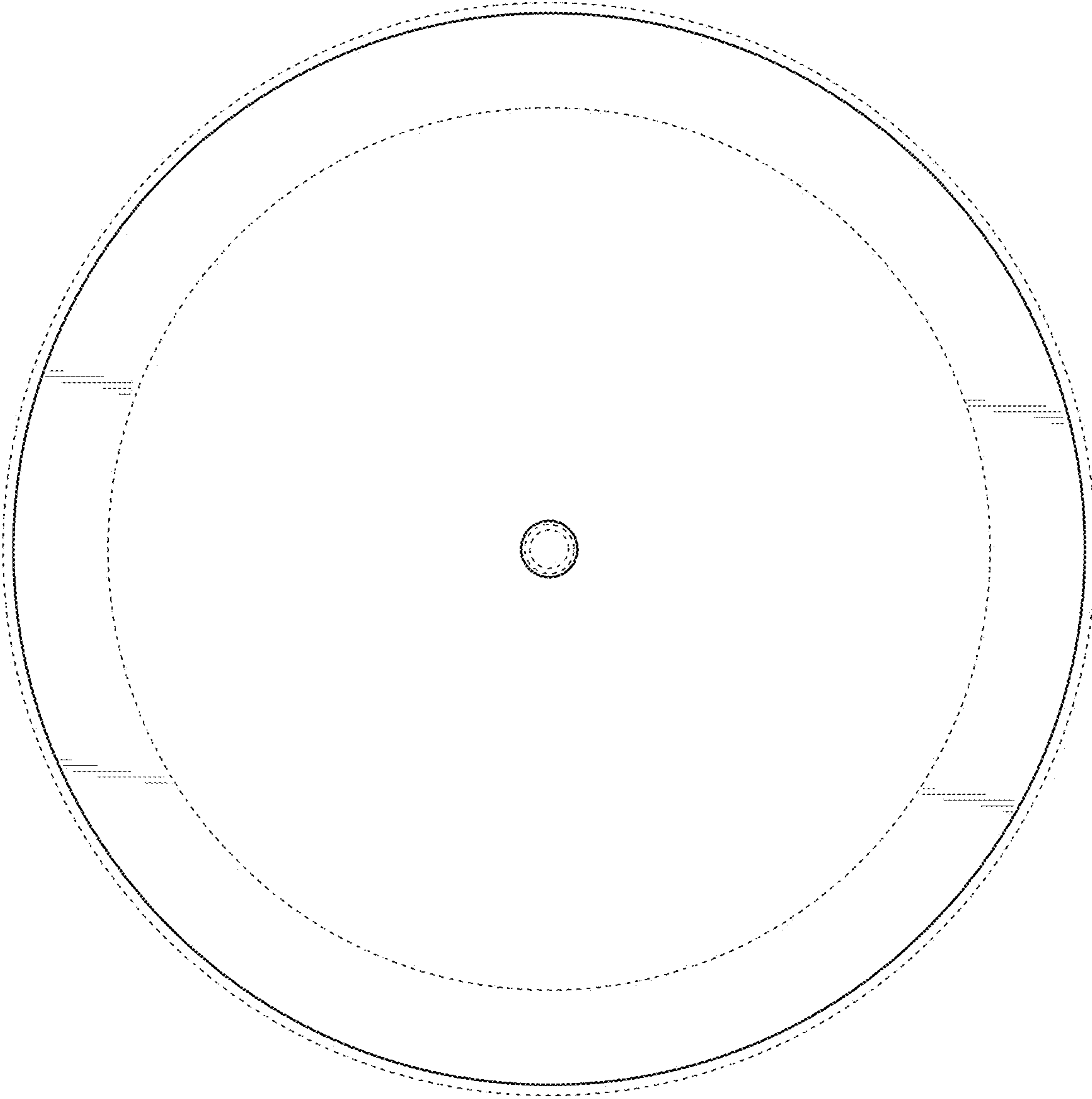


Fig. 12

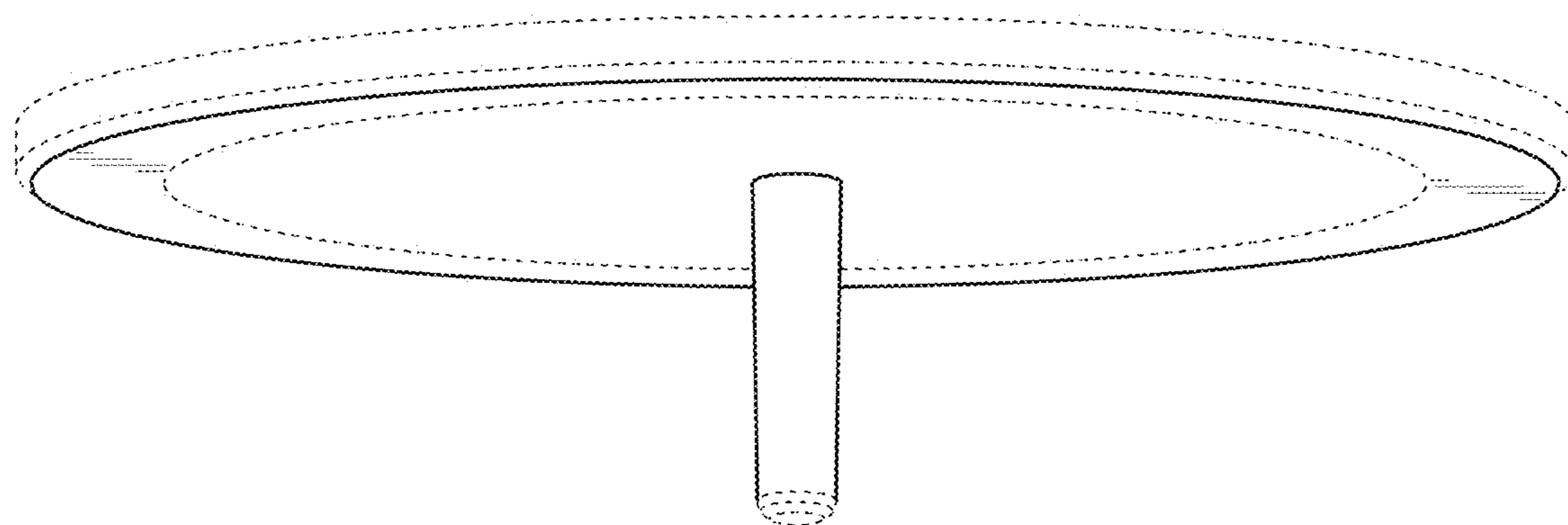


Fig. 13

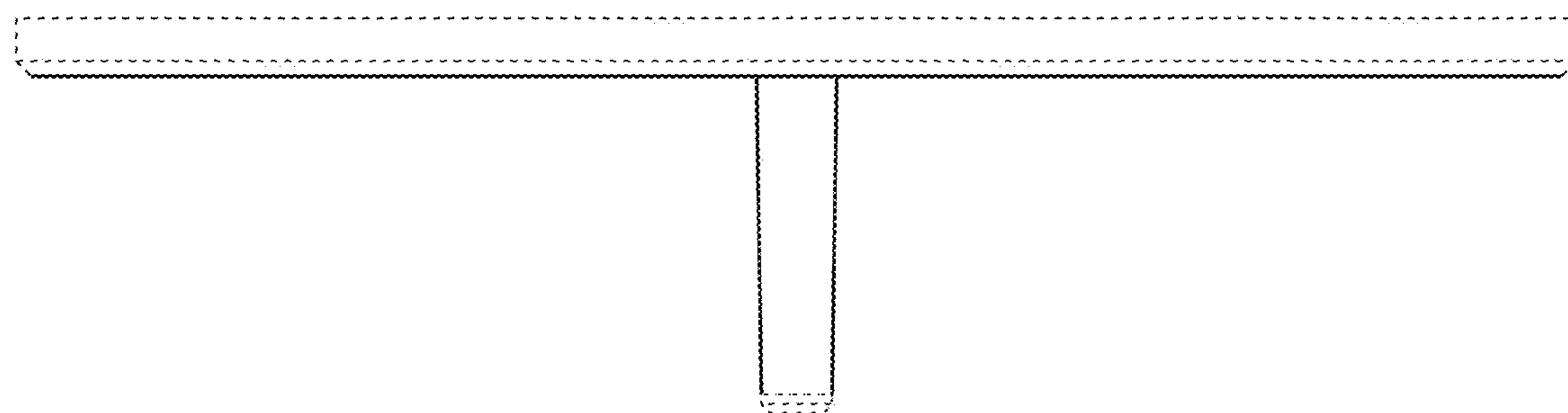


Fig. 14

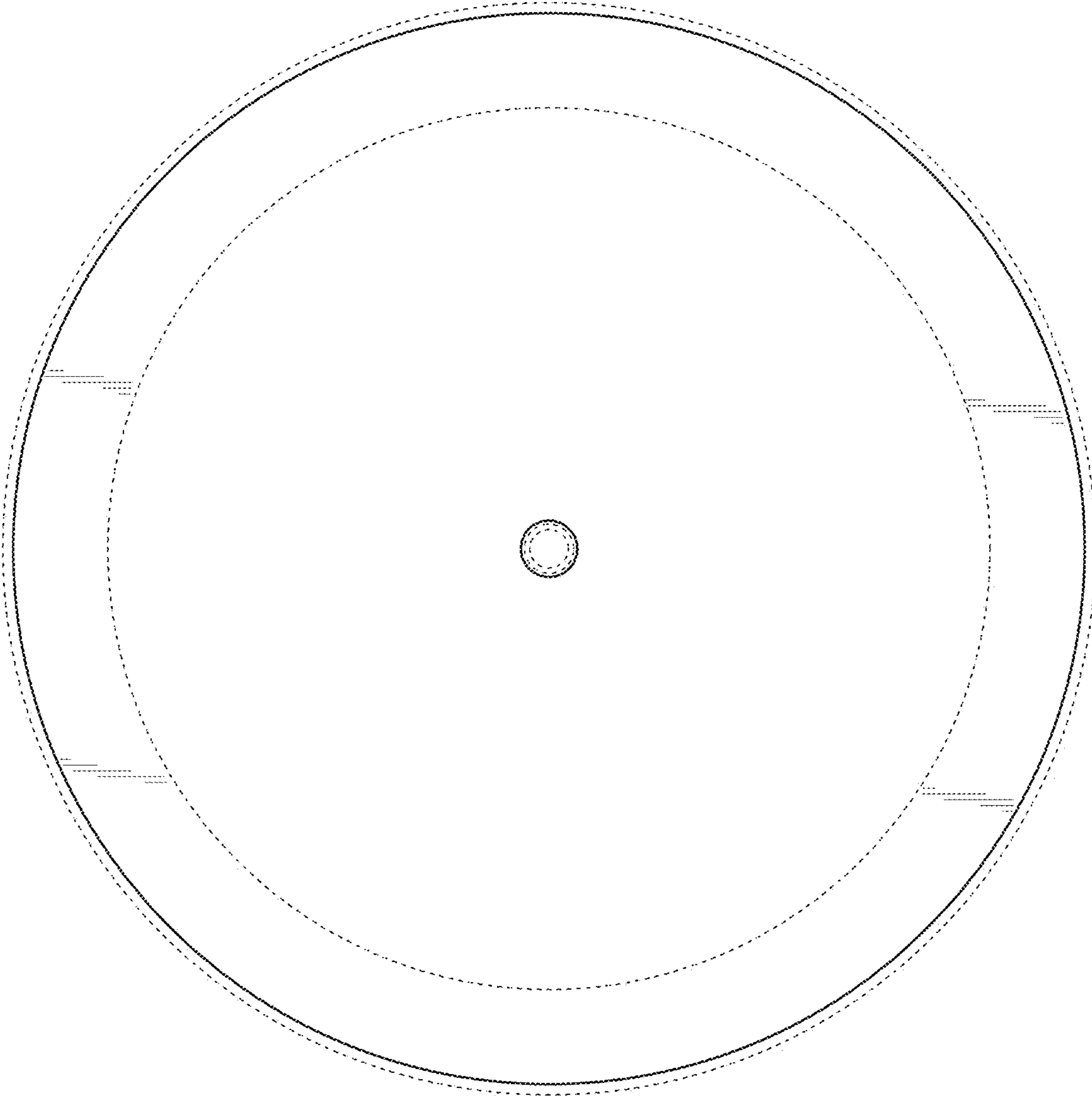


Fig. 15