



US00D907608S

(12) **United States Design Patent** (10) **Patent No.:** **US D907,608 S**
Xie (45) **Date of Patent:** **** Jan. 12, 2021**

(54) **EARPHONE**

(71) Applicant: **Namei Xie**, Shenzhen (CN)

(72) Inventor: **Namei Xie**, Shenzhen (CN)

(73) Assignee: **Shenzhen KingAnDa Technology Development Co., Ltd.**, Shenzhen (CN)

(**) Term: **15 Years**

(21) Appl. No.: **29/704,307**

(22) Filed: **Sep. 4, 2019**

(51) **LOC (13) Cl.** **14-01**

(52) **U.S. Cl.**
USPC **D14/223**

(58) **Field of Classification Search**
USPC D14/223, 205; D24/174; 128/864, 865,
128/866; 381/380, 381, 328; 455/90.3,
455/575.1, 569.1
CPC H04R 1/10; H04R 1/1033; H04R 25/00;
H04R 1/1066; H04R 1/1016; H04R
5/033; H04R 5/0335; H04R 1/105
See application file for complete search history.

(56) **References Cited**

U.S. PATENT DOCUMENTS

D375,959 S *	11/1996	Davis	D14/206
D447,743 S *	9/2001	Ma	D14/223
D460,436 S *	7/2002	Bjorklund	D14/205
D469,422 S *	1/2003	Nguyen	D14/205
D470,129 S *	2/2003	Hlas	D14/205
D474,178 S *	5/2003	Eroma	D14/205
D498,227 S *	11/2004	Dyer	D14/205
D501,196 S *	1/2005	Dyer	D14/205
D504,672 S *	5/2005	Hirano	D14/205
D510,085 S *	9/2005	Suzuki	D14/223
D515,069 S *	2/2006	Naito	D14/205
D518,816 S *	4/2006	Naito	D14/205
D542,267 S *	5/2007	Cha	D14/206

D543,968 S *	6/2007	Wong	D14/205
D581,396 S *	11/2008	Wikel	D14/206
D582,897 S *	12/2008	Christopher	D14/223
D593,075 S *	5/2009	Williams	D14/223
D595,698 S *	7/2009	Guccione	D14/223
D597,084 S *	7/2009	Gondo	D14/223
D603,378 S *	11/2009	Paradise	D14/223
D603,847 S *	11/2009	Chung	D14/223
D604,722 S *	11/2009	Mistry	D14/223
D617,778 S *	6/2010	Birger	D14/223
D619,998 S *	7/2010	Birger	D14/223
D625,297 S *	10/2010	Tseng	D14/223
D629,397 S *	12/2010	Hensen	H04R 5/033 D14/223
D631,470 S *	1/2011	Yoneyama	D14/223
D633,899 S *	3/2011	Zheng	D14/223
D635,960 S *	4/2011	Gondo	D14/223
D639,787 S *	6/2011	Quek	D14/223
D641,884 S *	7/2011	Laperle	D24/174
D664,125 S *	7/2012	Koch	D14/223

(Continued)

FOREIGN PATENT DOCUMENTS

EM	006874426-0001	*	9/2019
EM	007809850-0001	*	4/2020

Primary Examiner — Paula Allen Greene

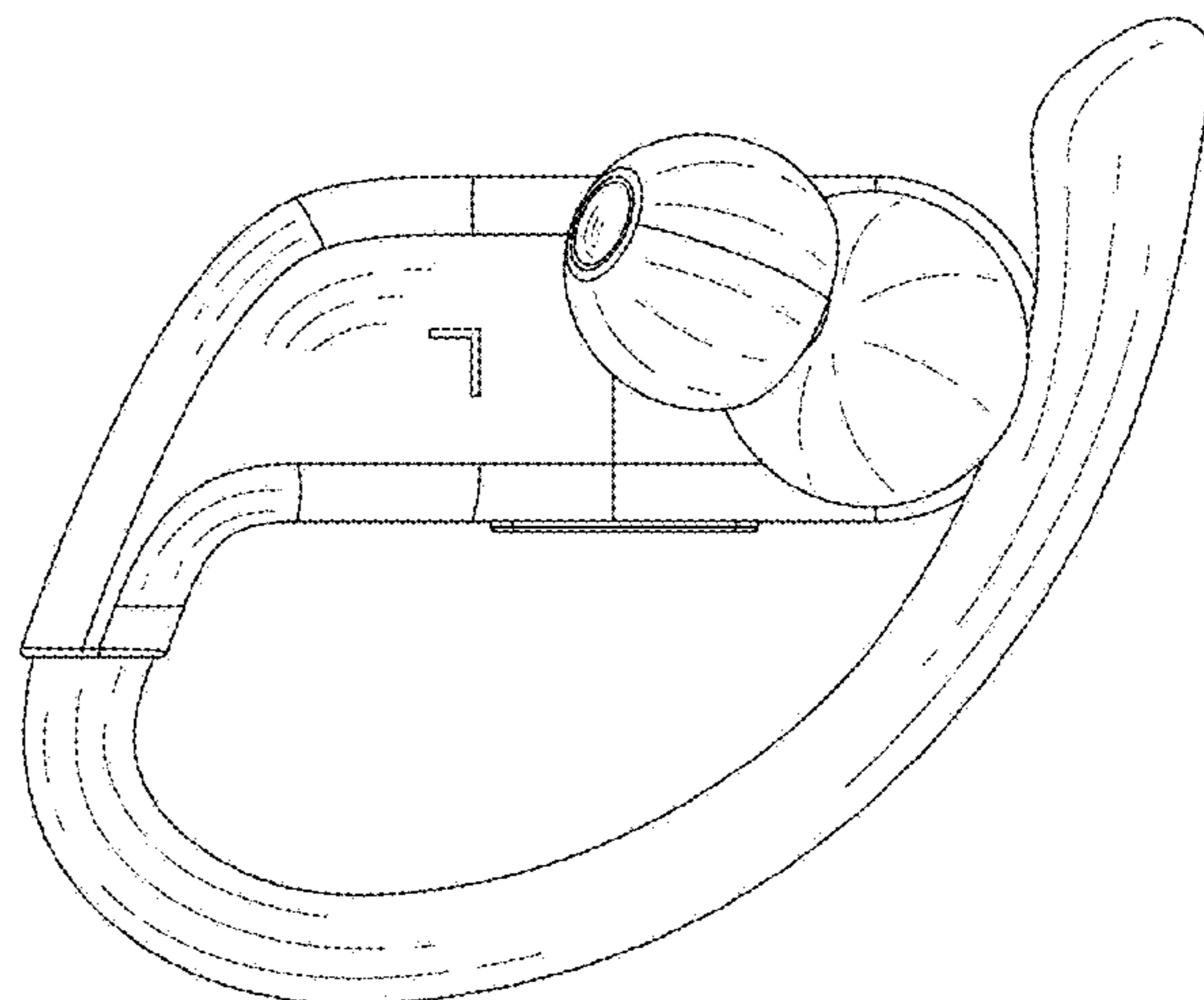
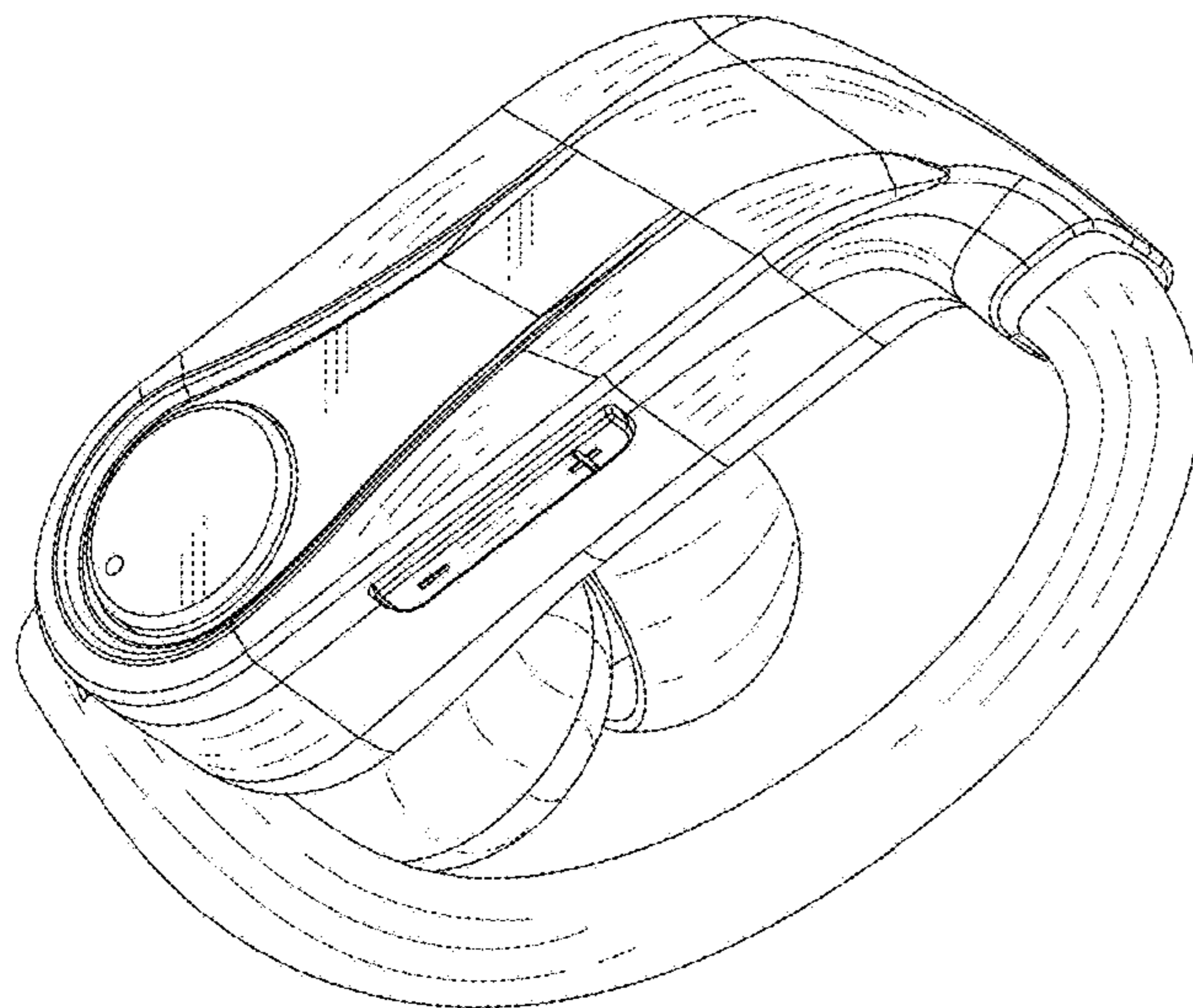
(57) **CLAIM**

The ornamental design for an earphone, as shown and described.

DESCRIPTION

FIG. 1 is a perspective view of an earphone showing my new design;
FIG. 2 is a front elevation view thereof;
FIG. 3 is a rear elevation view thereof;
FIG. 4 is a left side elevation view thereof;
FIG. 5 is a right side elevation view thereof;
FIG. 6 is a top plan view thereof; and,
FIG. 7 is a bottom plan view thereof.

1 Claim, 7 Drawing Sheets



(56)

References Cited

U.S. PATENT DOCUMENTS

D664,950 S * 8/2012 Rye D14/223
 D685,768 S * 7/2013 Mogili D14/223
 D691,580 S * 10/2013 Cho D14/205
 D695,275 S * 12/2013 Chee D14/223
 8,655,005 B2 * 2/2014 Birger H04R 1/1091
 381/381
 D710,333 S * 8/2014 Davies H04R 1/10
 D14/223
 D712,382 S * 9/2014 Brunner D14/223
 D713,385 S * 9/2014 Burgett D14/223
 D718,283 S * 11/2014 Thompson D14/223
 D725,637 S * 3/2015 Nakajima D14/223
 D743,945 S * 11/2015 Brunner D14/223
 D743,946 S * 11/2015 Brunner D14/223
 D761,770 S * 7/2016 Kanou D14/223
 D775,610 S * 1/2017 Nakajima D14/223
 D780,721 S * 3/2017 Brunner D14/223
 D782,996 S * 4/2017 Zhu D14/205
 D796,490 S * 9/2017 Lian D14/223
 D801,952 S * 11/2017 Lian D14/223
 D806,684 S * 1/2018 Tsai D14/223
 D806,687 S * 1/2018 Rodriguez D14/223
 D807,331 S * 1/2018 Morimoto D14/223
 D810,053 S * 2/2018 Otani D14/223
 D821,364 S * 6/2018 Brunner D14/223

D834,003 S * 11/2018 Maeda D14/223
 D838,692 S * 1/2019 Fu D14/223
 D842,836 S * 3/2019 Ma D14/205
 D843,344 S * 3/2019 Zhu D14/205
 D848,978 S * 5/2019 Min D14/223
 D852,784 S * 7/2019 Cramer H04R 1/1008
 D14/223
 D853,360 S * 7/2019 Kawabata D14/223
 D855,588 S * 8/2019 Hao D14/223
 D858,482 S * 9/2019 Ma D14/205
 D863,265 S * 10/2019 Hu D14/223
 10,477,307 B1 * 11/2019 Zhang H04R 1/1016
 D869,435 S * 12/2019 Sanhua D14/205
 D871,375 S * 12/2019 Meyer D14/223
 D873,246 S * 1/2020 Zhu D14/223
 D873,789 S * 1/2020 Hu D14/205
 D878,338 S * 3/2020 Yang D14/223
 D881,850 S * 4/2020 Zhang D14/223
 D883,259 S * 5/2020 Ma D14/223
 D885,370 S * 5/2020 Hu D14/223
 D890,137 S * 7/2020 Ma D14/223
 2010/0166208 A1 * 7/2010 Kato H04R 5/0335
 381/74
 2018/0275950 A1 * 9/2018 Takagi A61M 21/02
 2020/0100011 A1 * 3/2020 Bruss H04R 1/1016
 2020/0154196 A1 * 5/2020 Kolton H04R 1/105
 2020/0314518 A1 * 10/2020 Hatfield H04R 1/105

* cited by examiner

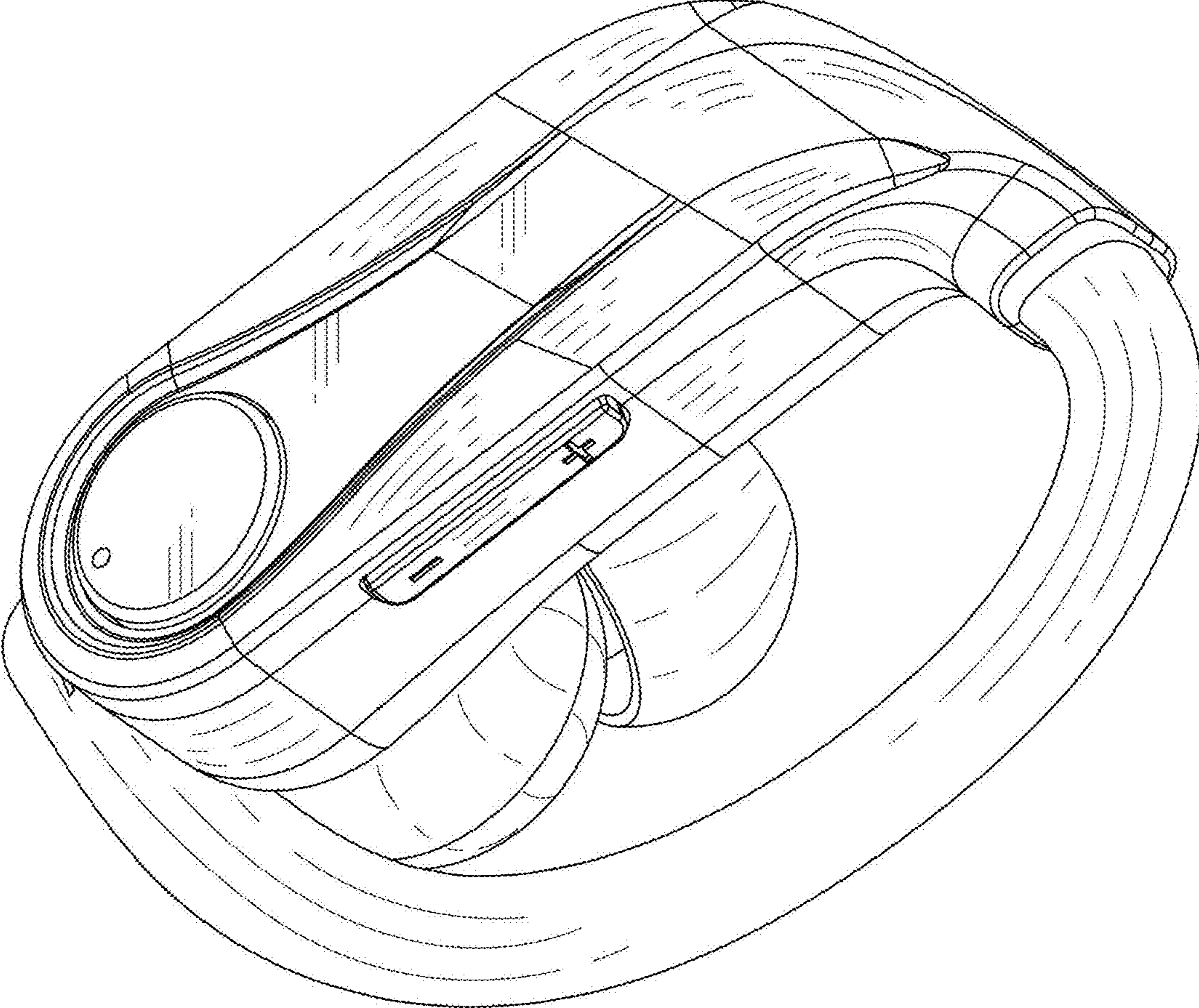


FIG.1

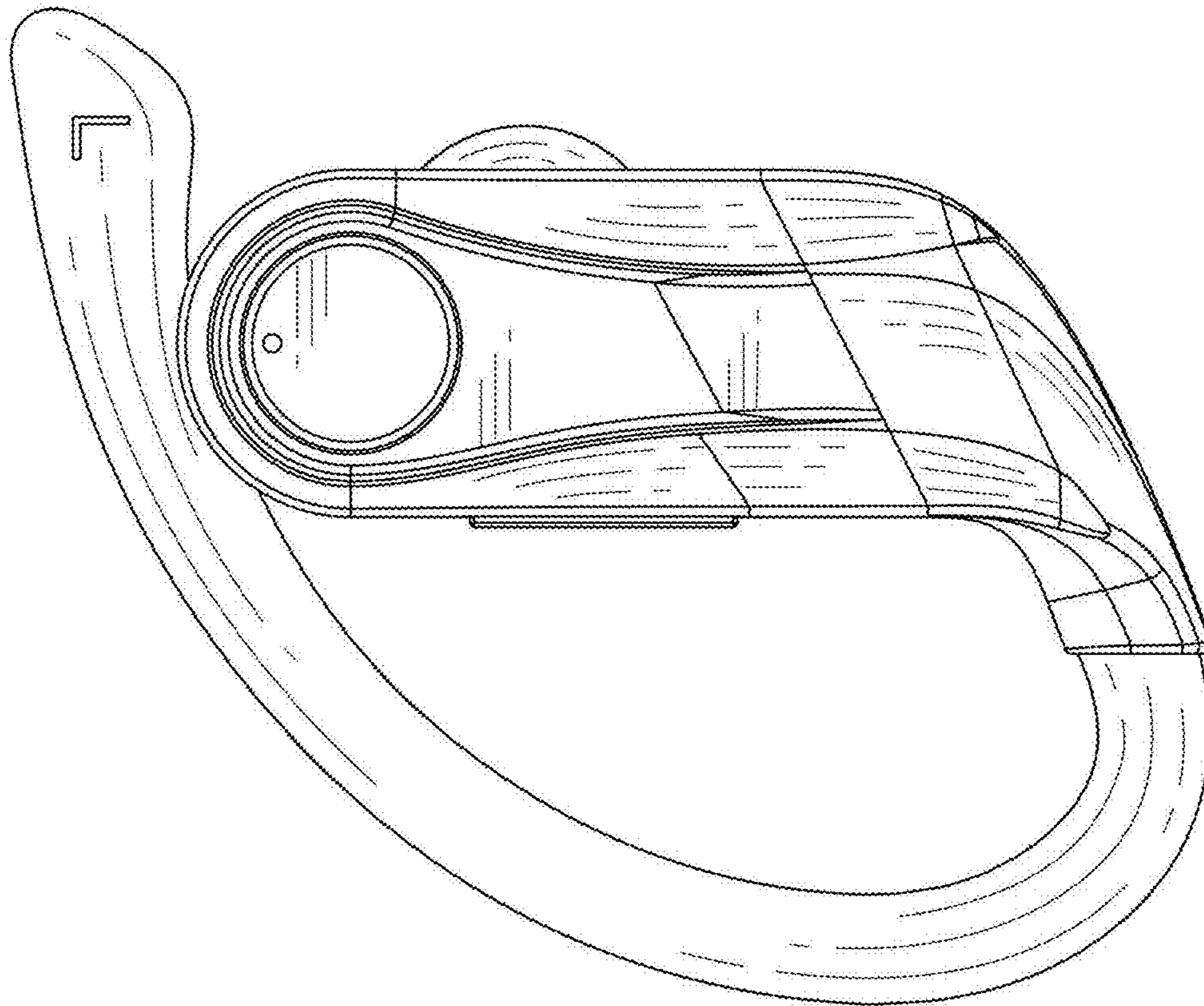


FIG.2

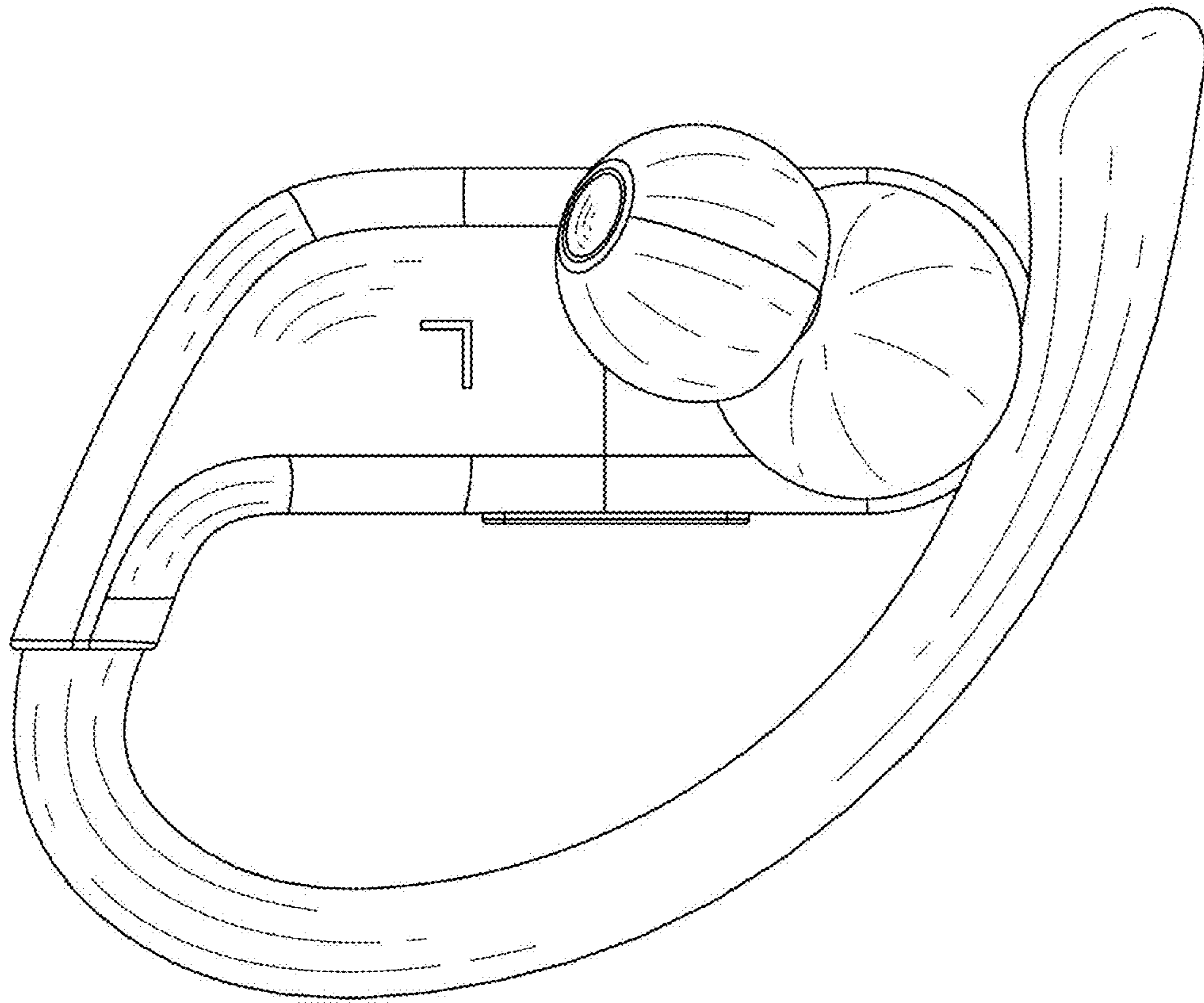


FIG.3

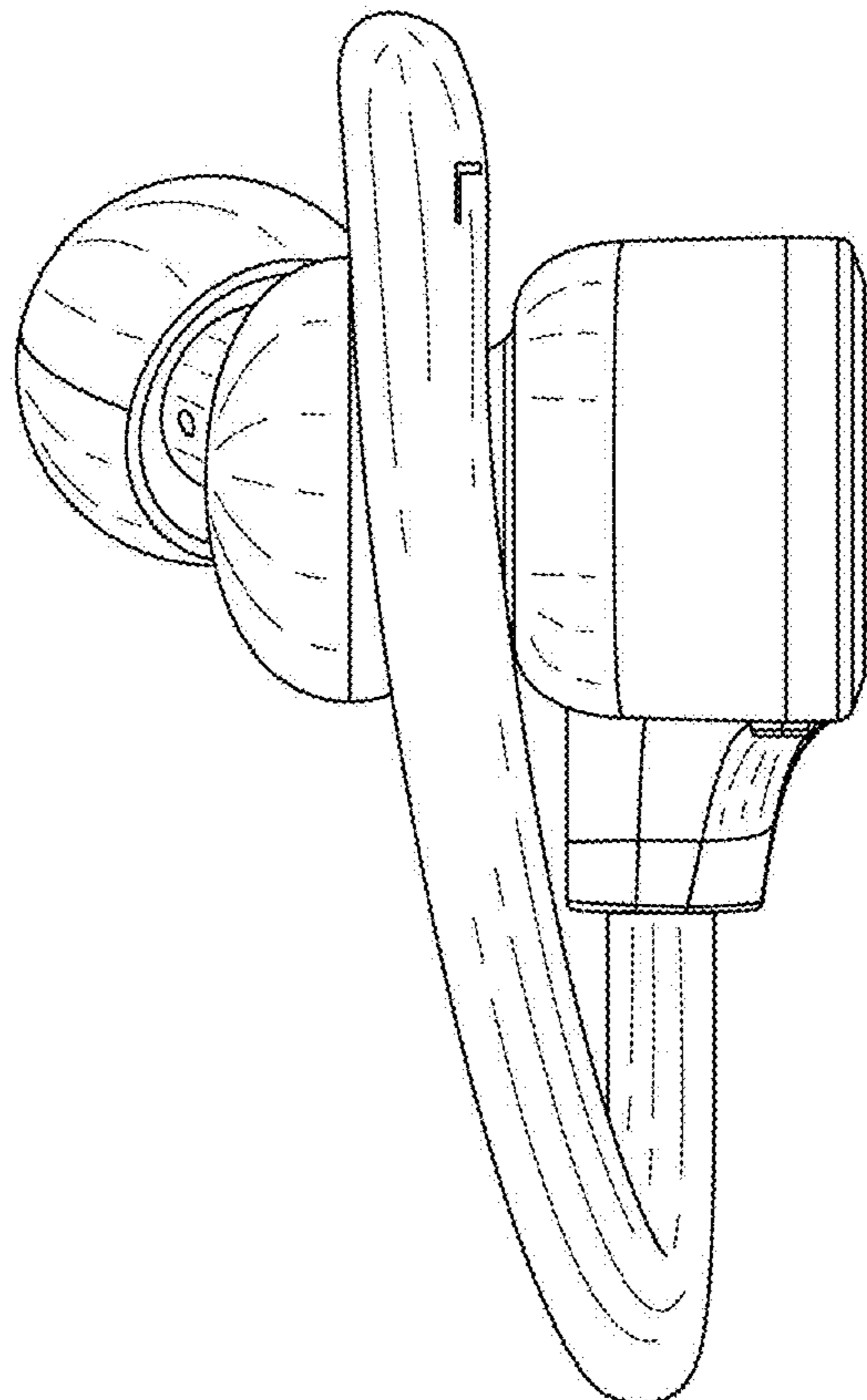


FIG.4

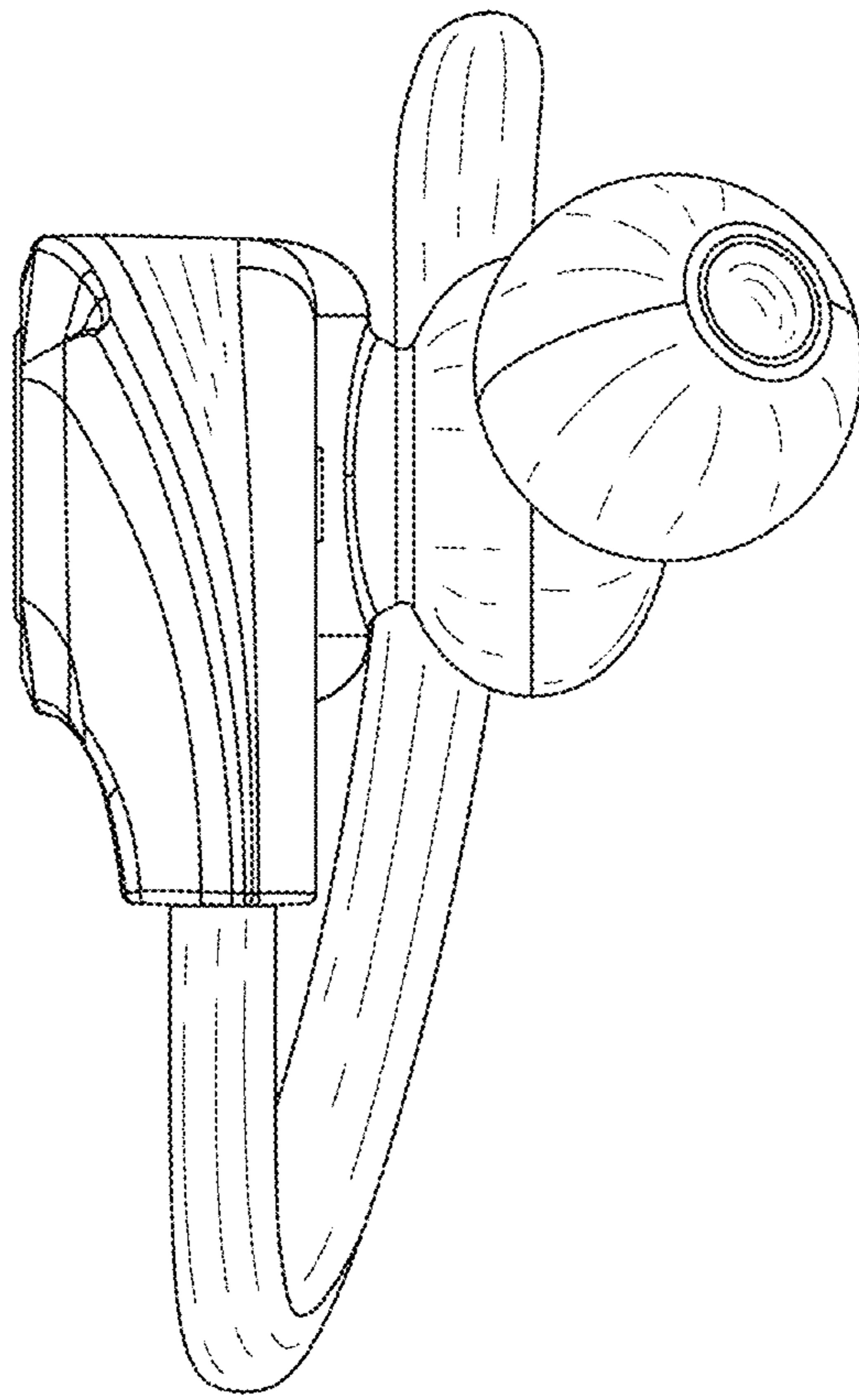


FIG. 5

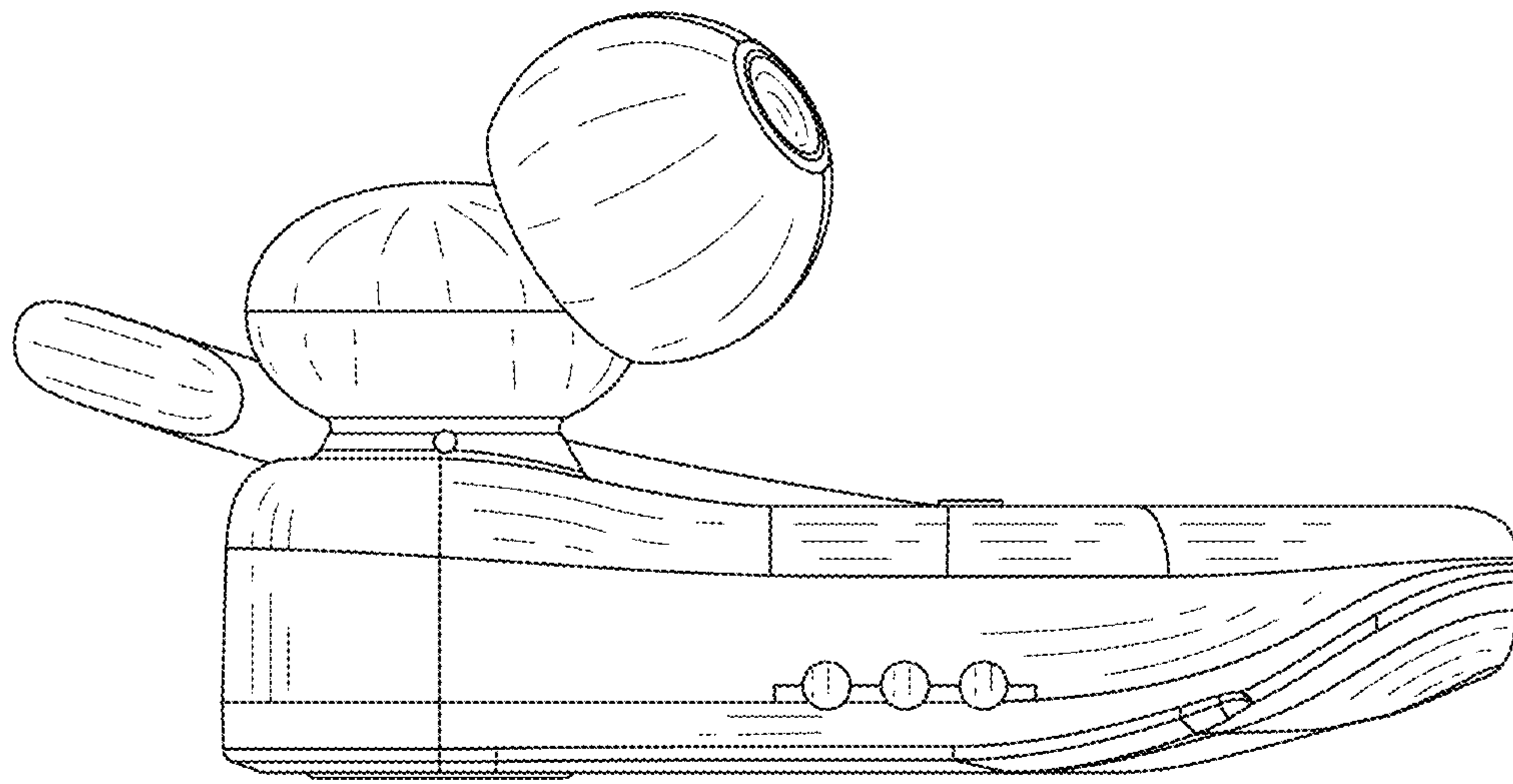


FIG. 6

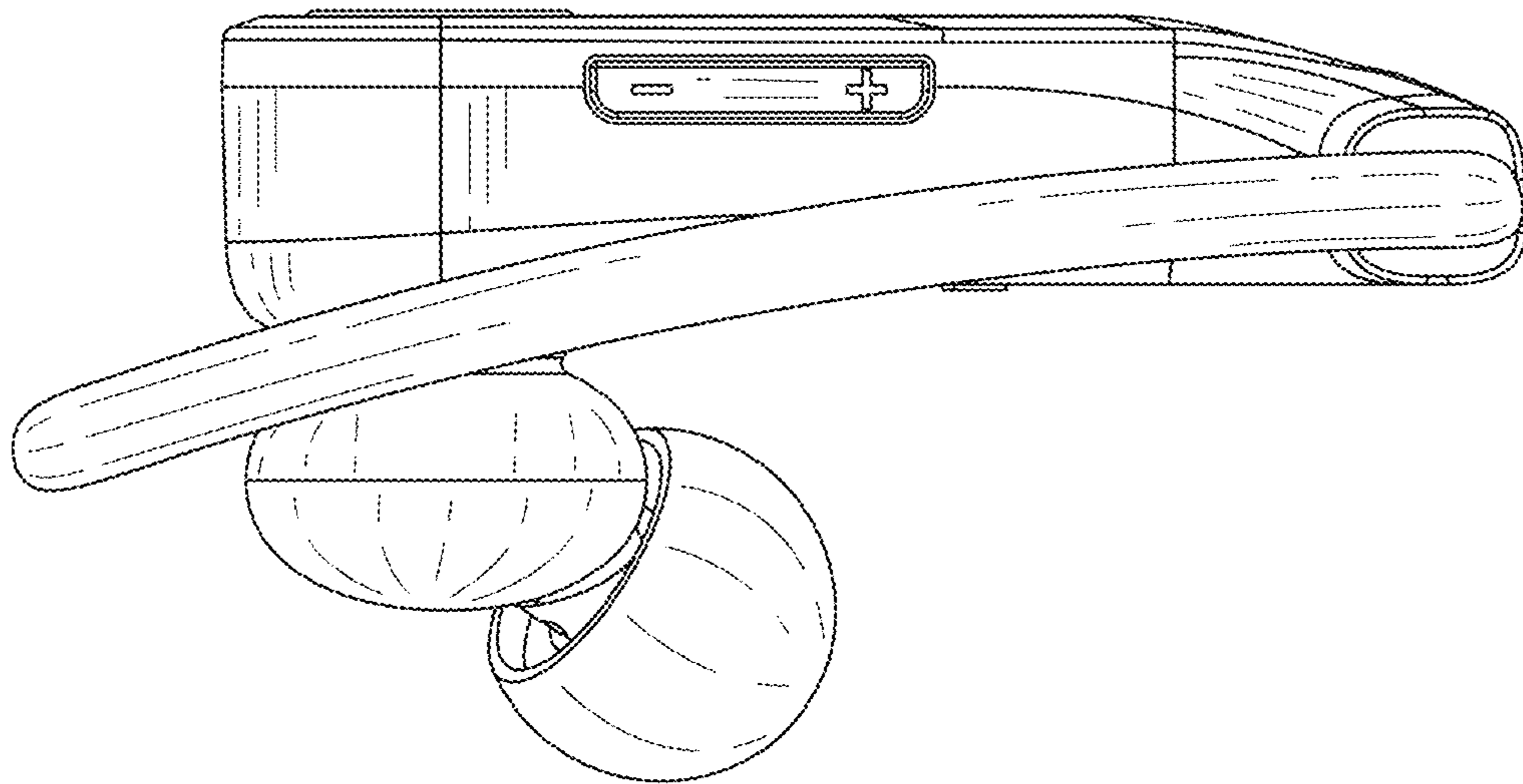


FIG. 7