



US00D907603S

(12) **United States Design Patent**
Cheng

(10) **Patent No.:** **US D907,603 S**

(45) **Date of Patent:** **** Jan. 12, 2021**

(54) **WIRELESS PRESENTER**

(71) Applicant: **Yu Cheng**, Shenzhen (CN)

(72) Inventor: **Yu Cheng**, Shenzhen (CN)

(**) Term: **15 Years**

(21) Appl. No.: **29/694,920**

(22) Filed: **Jun. 14, 2019**

(51) **LOC (13) Cl.** **14-03**

(52) **U.S. Cl.**
USPC **D14/218**

(58) **Field of Classification Search**
USPC D14/218; D13/168
CPC .. A47C 31/008; A61G 13/02; G07C 9/00944;
G08C 17/00; G08C 17/02; H04B 1/202;
H01H 9/02; H01H 9/0214; H01H 9/0235;
H01H 9/0242
See application file for complete search history.

(56) **References Cited**

U.S. PATENT DOCUMENTS

D381,661 S *	7/1997	Althans	D14/218
D426,232 S *	6/2000	Silbermann	D14/218
D559,793 S *	1/2008	Fan	D13/168
D636,772 S *	4/2011	Cheng	D14/400
D656,127 S *	3/2012	Kay	D14/218
D673,138 S *	12/2012	Kim	D14/218
D682,254 S *	5/2013	Hong	D14/218
D734,743 S *	7/2015	Geck	D14/218
D753,635 S *	4/2016	Ko	D14/218

D761,768 S *	7/2016	Klein	D14/218
D782,985 S *	4/2017	Mishan	D13/168
D789,221 S *	6/2017	Miller	D10/46
D798,274 S *	9/2017	Huang	D14/218
D798,275 S *	9/2017	Huang	D14/218
D857,017 S *	8/2019	Cheng	D14/388
D867,338 S *	11/2019	Ruegg	D14/218

* cited by examiner

Primary Examiner — John Windmuller

(74) *Attorney, Agent, or Firm* — Hemisphere Law, PLLC;
Zhigang Ma

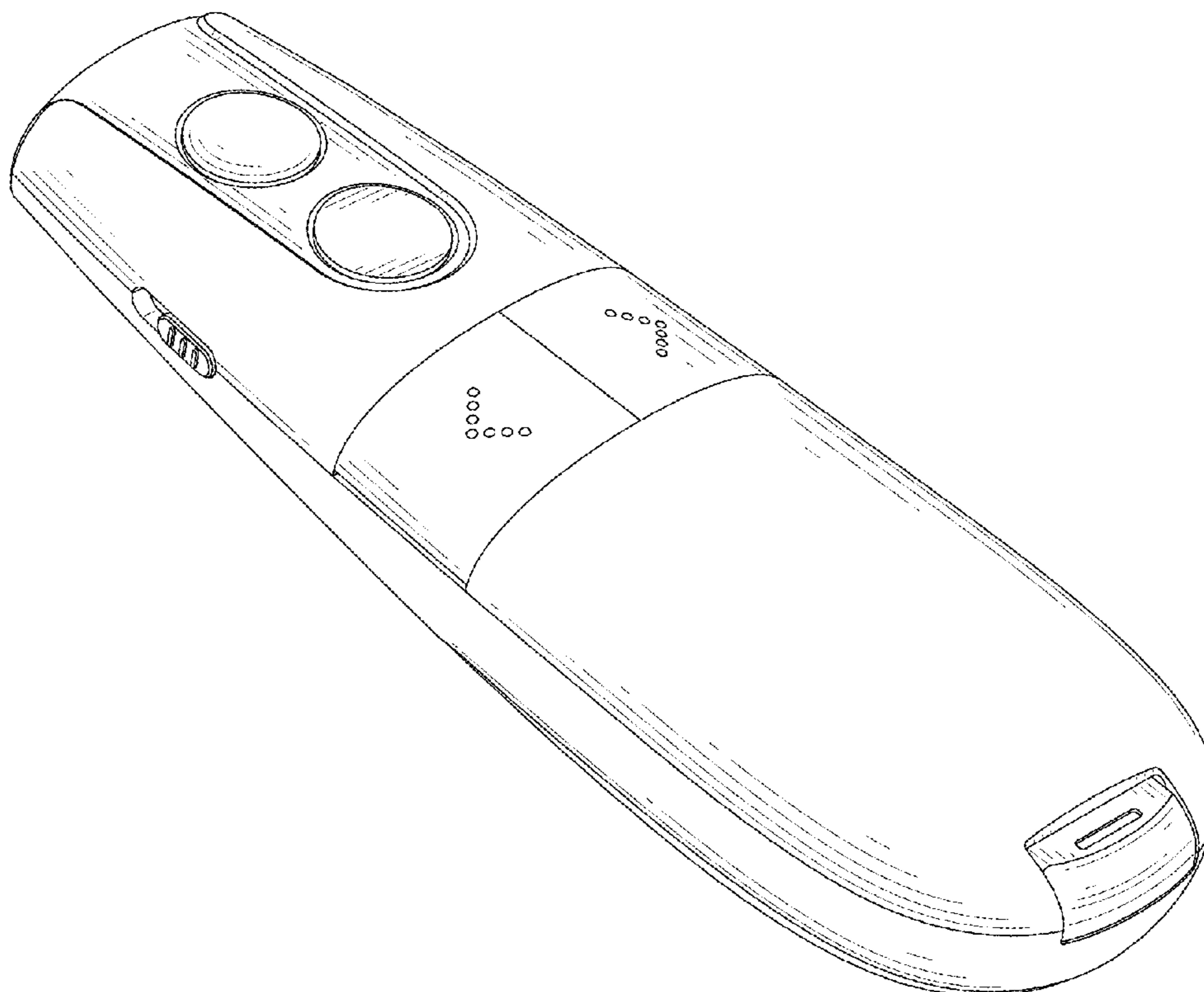
(57) **CLAIM**

The ornamental design for a wireless presenter, as shown and described.

DESCRIPTION

FIG. 1 is a front perspective view of a wireless presenter showing my new design;
 FIG. 2 is a bottom perspective view seen from the rear side thereof;
 FIG. 3 is another bottom perspective view seen from the rear side thereof;
 FIG. 4 is a front elevational view thereof;
 FIG. 5 is a rear elevational view thereof;
 FIG. 6 is a left side elevational view thereof;
 FIG. 7 is a right side elevational view thereof;
 FIG. 8 is a top plan view thereof; and,
 FIG. 9 is a bottom plan view thereof.
 The broken lines in the figures depict portions of the wireless presenter that form no part of the claimed design.

1 Claim, 9 Drawing Sheets



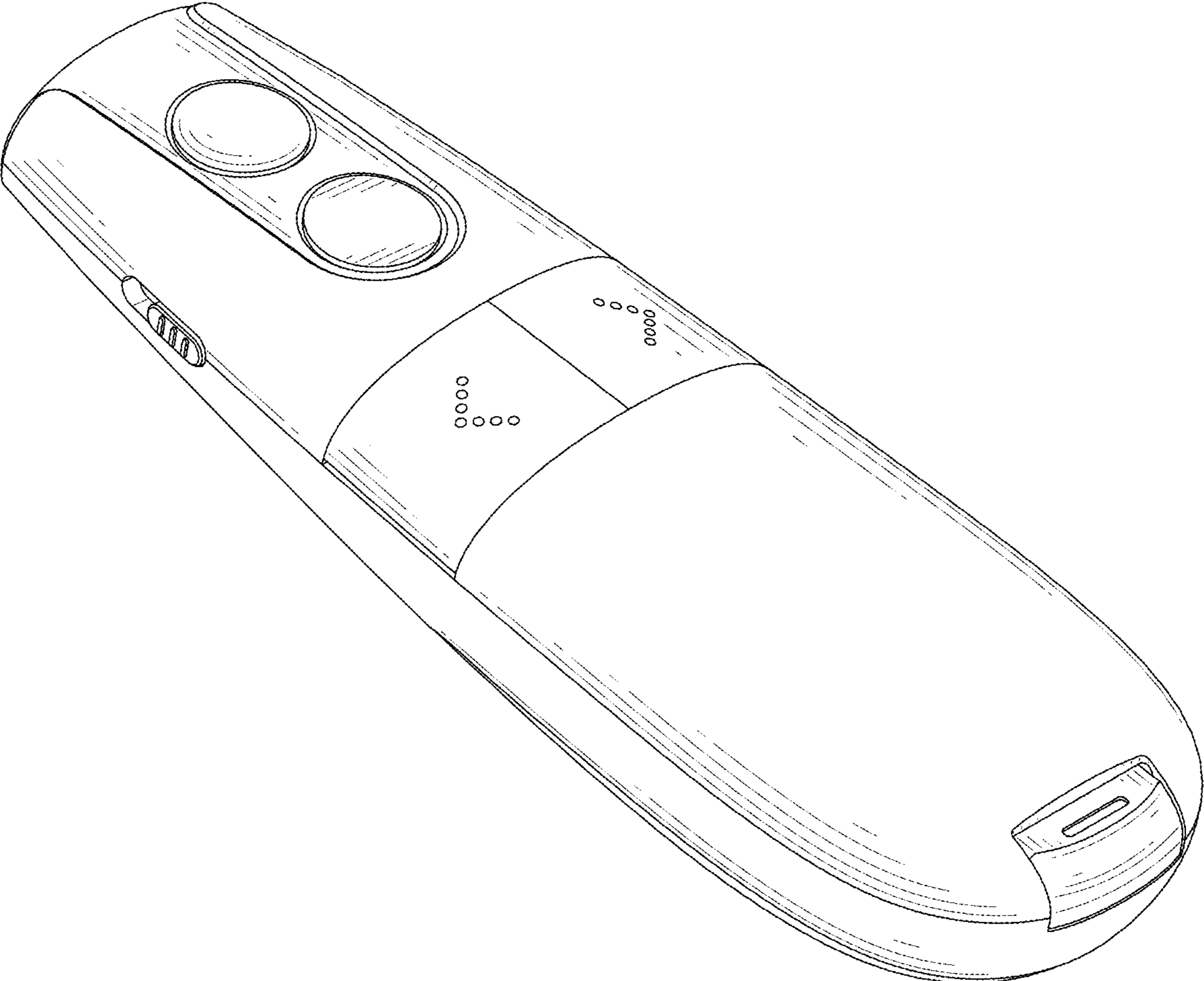


FIG. 1

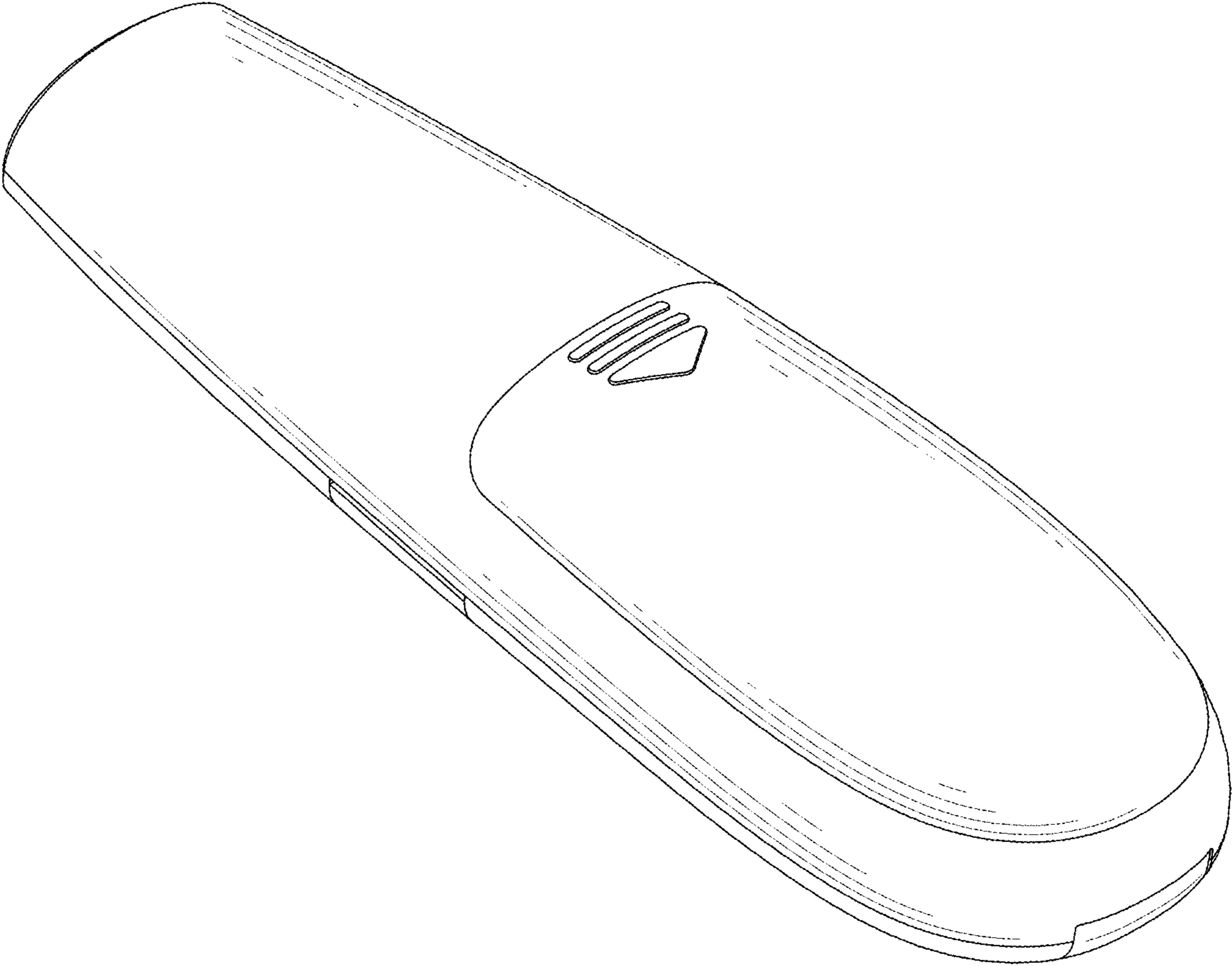


FIG. 2

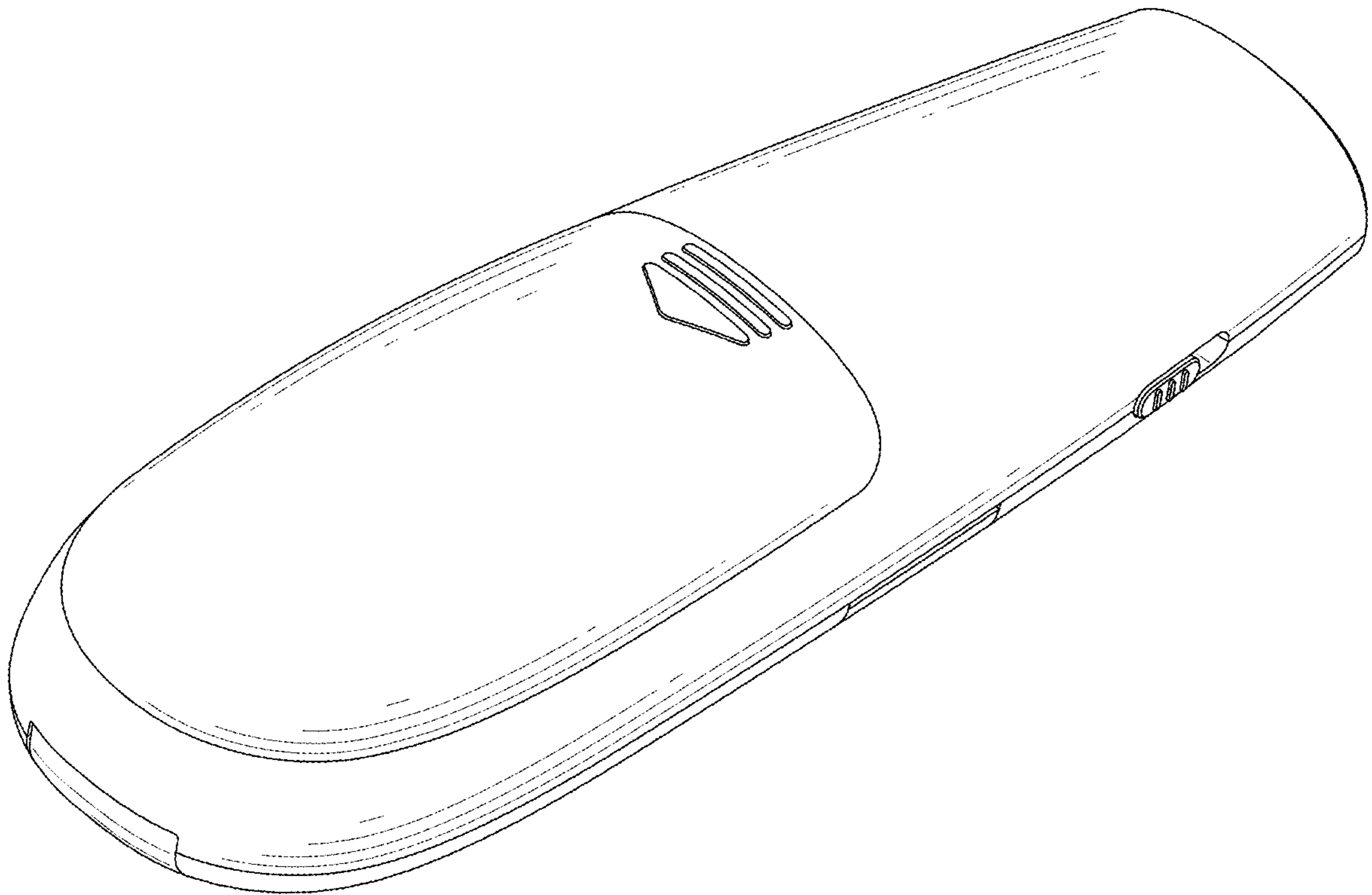


FIG. 3

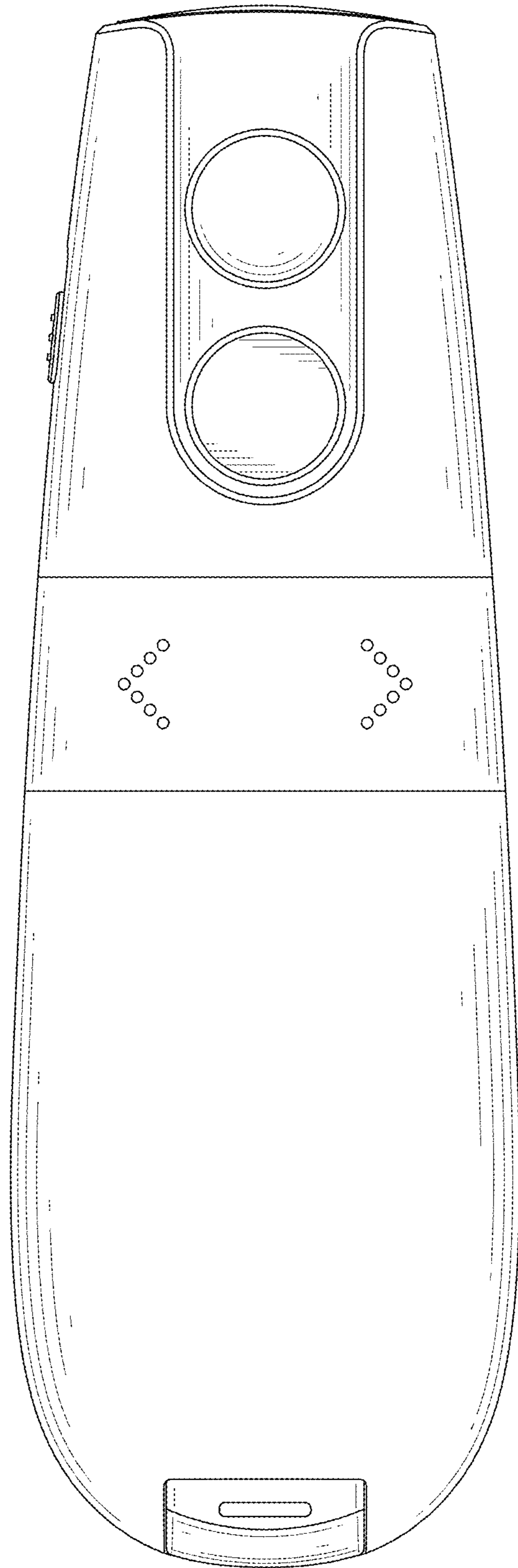


FIG. 4

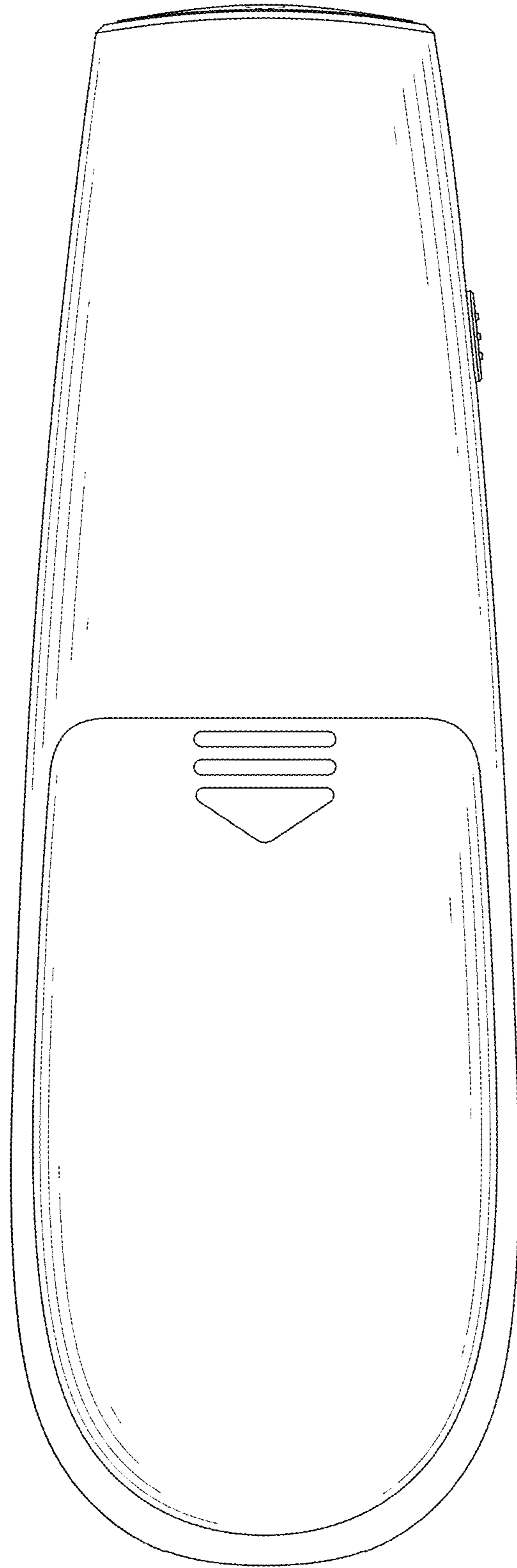


FIG. 5

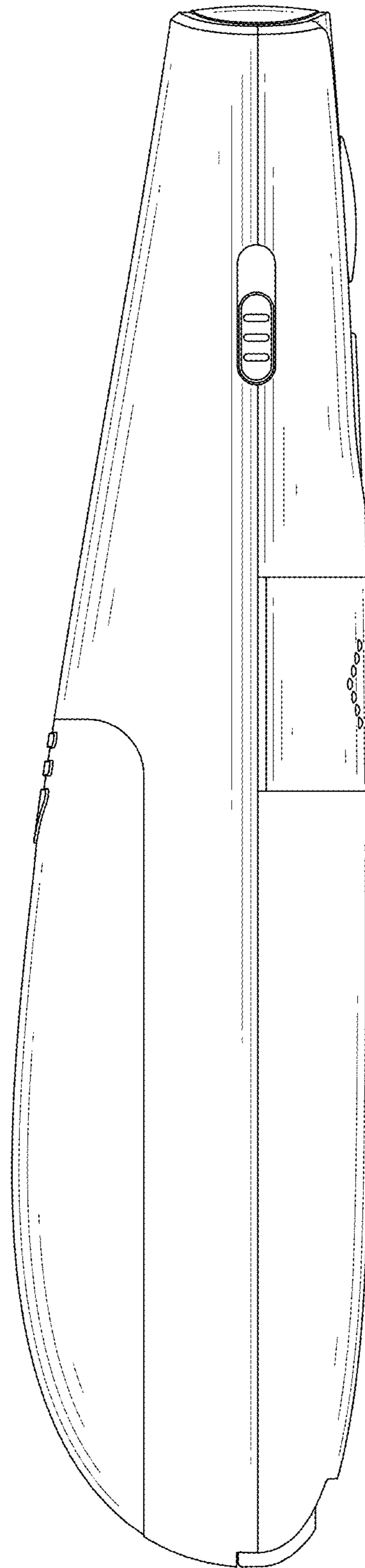


FIG. 6

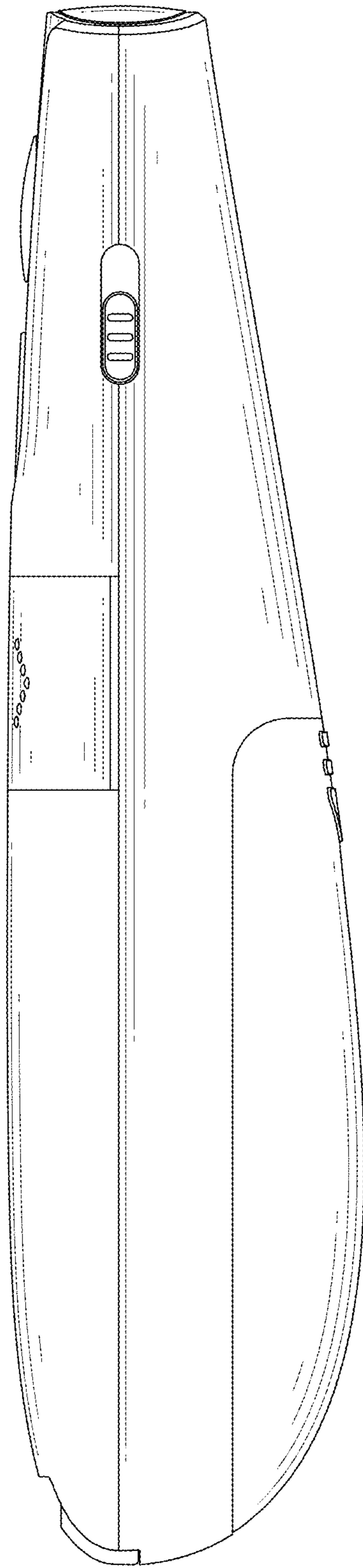


FIG. 7

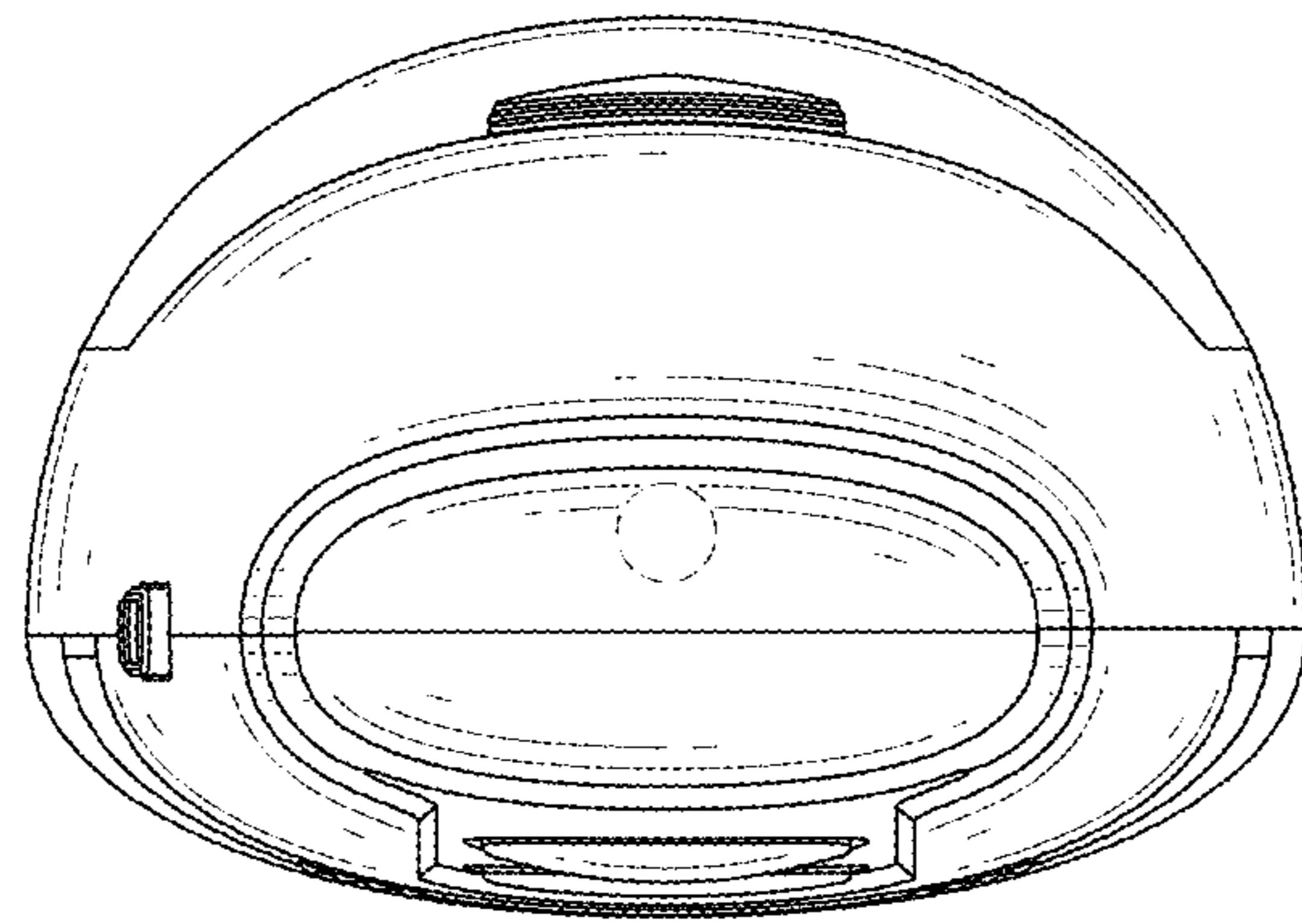


FIG. 8

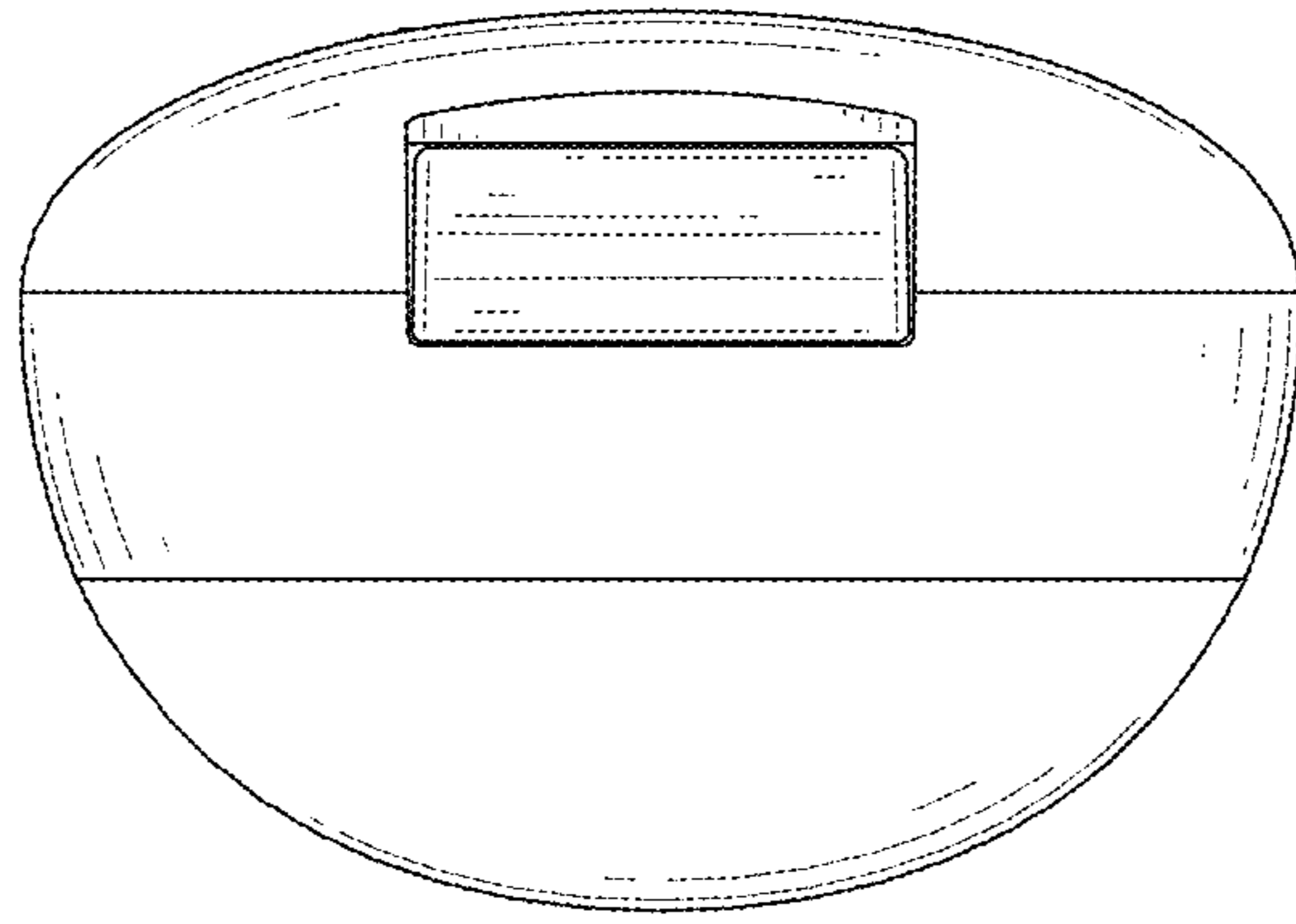


FIG. 9