

US00D907600S

(12) **United States Design Patent** (10) **Patent No.:** **US D907,600 S**
Nugent et al. (45) **Date of Patent:** **** Jan. 12, 2021**

(54) **LOUDSPEAKER**

(71) Applicant: **Harman International Industries, Incorporated**, Northridge, CA (US)

(72) Inventors: **Tim Nugent**, Santa Monica, CA (US); **Andy Flint**, Santa Clarita, CA (US)

(73) Assignee: **Harman International Industries, Incorporated**, Northridge, CA (US)

(**) Term: **15 Years**

(21) Appl. No.: **29/626,790**

(22) Filed: **Nov. 20, 2017**

Related U.S. Application Data

(62) Division of application No. 29/551,703, filed on Jan. 15, 2016, now Pat. No. Des. 827,608.

(51) **LOC (13) Cl.** **14-01**

(52) **U.S. Cl.**
USPC **D14/214**

(58) **Field of Classification Search**
USPC D14/167, 168, 170–172, 188, 194–196, D14/204, 209.1, 210–216, 219, 221, 222, D14/224, 239, 496
CPC B60R 11/0217; G06F 1/1688; G10K 9/22; G10K 11/004; H03F 1/327; H04M 1/03; H04M 1/035; H04N 5/642; H04N 21/4852; H04R 1/02; H04R 1/06; H04R 1/021; H04R 1/025; H04R 1/026; H04R 1/028; H04R 1/105; H04R 1/323; H04R 1/403; H04R 1/2803; H04R 1/2834; H04R 5/02; H04R 7/20; H04R 9/06; H04R 9/025; H04R 2201/021; H04R 2400/00; H04R 2400/07; H04R 2499/11; H04R 2499/13; H04R 2499/15; H04S 3/00; H04S 7/30

See application file for complete search history.

(56) **References Cited**

U.S. PATENT DOCUMENTS

D229,618 S	12/1973	Teruachi et al.
4,450,495 A	5/1984	Naruki
D294,257 S	2/1988	Nagele et al.
D295,404 S	4/1988	Tokiyama
4,805,729 A	2/1989	Wascom
D317,916 S	7/1991	Fuke

(Continued)

OTHER PUBLICATIONS

YouTube—JBL EON 206P, announced Dec. 30, 2014 [online], [site visited Sep. 8, 2017]. Available from internet, URL: <<https://www.youtube.com/watch?v=xDKUM8YVW1E>>.

(Continued)

Primary Examiner — Keli L Hill

(74) *Attorney, Agent, or Firm* — Plumsea Law Group, LLC

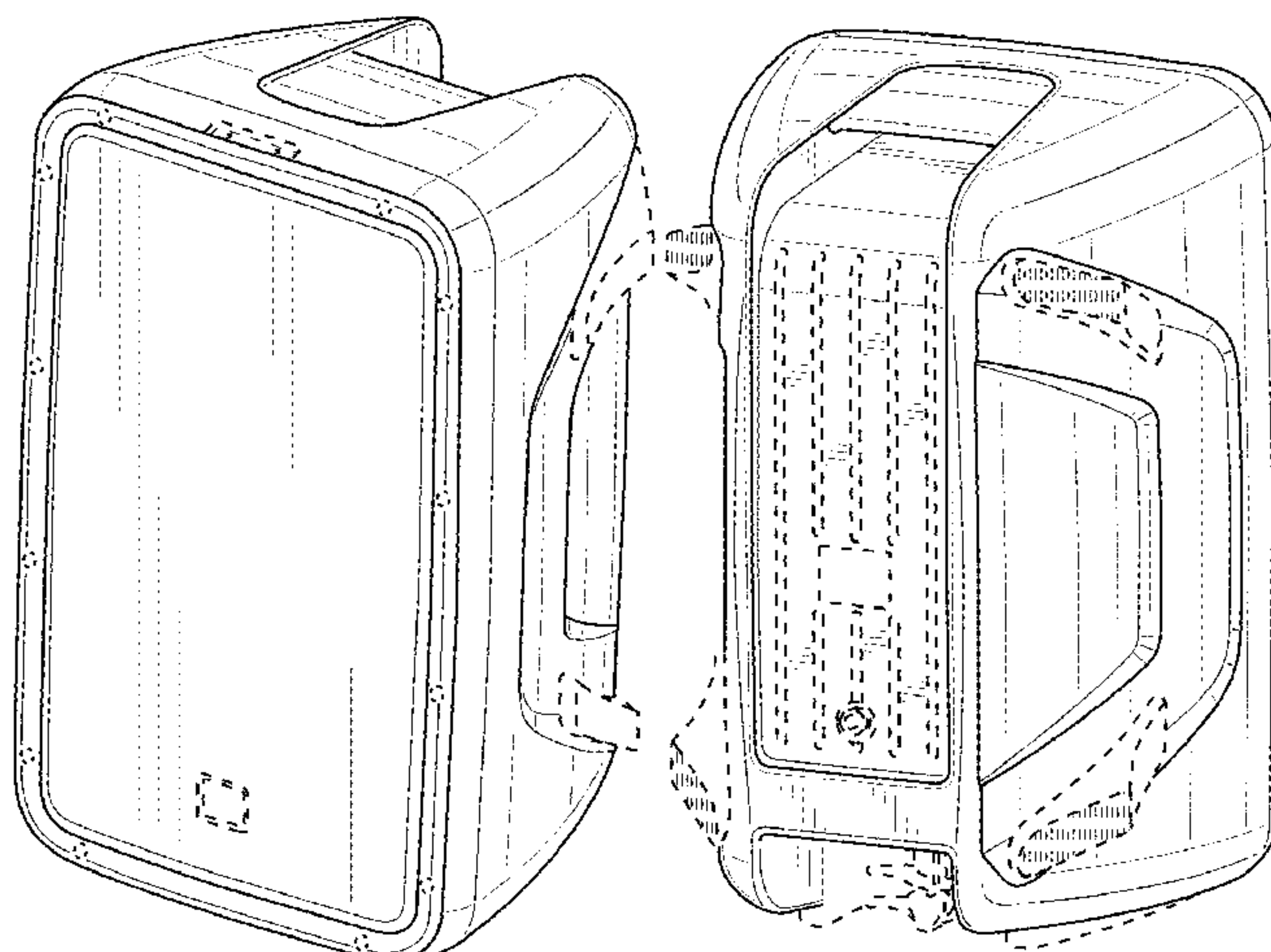
(57) **CLAIM**

The ornamental design for a loudspeaker, as shown and described.

DESCRIPTION

FIG. 1 is a perspective view of a loudspeaker showing our new design, with the loudspeaker shown separated from a packaged public announcement system;
FIG. 2 is a front perspective view thereof;
FIG. 3 is a rear perspective view thereof;
FIG. 4 is a front elevational view thereof;
FIG. 5 is a side elevational view thereof, the opposite side elevational view being a mirror image thereof;
FIG. 6 is a rear elevational view thereof;
FIG. 7 is a top plan view thereof;
FIG. 8 is a bottom plan view thereof; and,
FIG. 9 is a perspective view thereof, shown attached to the packaged public announcement system.

(Continued)



The broken lines shown are included for the purpose of illustrating portions of the loudspeaker that form no part of the claim.

1 Claim, 5 Drawing Sheets

(56)

References Cited

U.S. PATENT DOCUMENTS

D338,756 S	8/1993	Pink et al.	
D339,345 S	9/1993	Fuke	
D353,142 S	12/1994	Yamamoto	
D358,394 S	5/1995	Dyas	
D388,094 S	12/1997	Tokiyama et al.	
D395,656 S	6/1998	Woolley et al.	
5,933,507 A	8/1999	Woolley et al.	
D436,349 S	1/2001	Kim	
D441,737 S	5/2001	Chan	
D442,159 S	5/2001	Chan	
D451,084 S	11/2001	Su	
D482,675 S	11/2003	Carbone	
D484,115 S *	12/2003	Nishii	H04R 3/00 D14/215
D486,467 S	2/2004	Yuen	
D490,786 S	6/2004	Richards et al.	
D494,606 S	8/2004	Krieger et al.	
D495,012 S	8/2004	Morimoto	
D496,352 S	9/2004	Crook et al.	
D510,927 S	10/2005	Harris, Jr. et al.	
D521,490 S	5/2006	VanWambeke	
D528,097 S	9/2006	Kim	
D531,777 S	11/2006	Richter	
D540,764 S	4/2007	Kaner et al.	
D568,872 S	5/2008	Gonzalez	
D579,913 S	11/2008	Lamason	
D599,324 S	9/2009	Shen	
D609,214 S	2/2010	Hussey et al.	
D609,215 S	2/2010	Hussey et al.	
D609,217 S	2/2010	Manini	
D636,332 S	4/2011	Hsu	
D641,344 S	7/2011	Thomas et al.	
D654,474 S	2/2012	Hawkins et al.	
D671,094 S	11/2012	Kokawa et al.	
D675,597 S	2/2013	Hawkins et al.	
D682,250 S *	5/2013	Mattioli	D14/172

D692,863 S	11/2013	Givre et al.	
D698,336 S	1/2014	Givre et al.	
D705,754 S *	5/2014	Boudreau	D14/214
D718,747 S	12/2014	Tran et al.	
D730,866 S	6/2015	Aihsan et al.	
D733,680 S	7/2015	Nugent	
D736,742 S	8/2015	Warden	
D737,241 S	8/2015	Duran et al.	
D738,357 S	9/2015	Khairudin et al.	
D752,557 S	3/2016	Jakowski et al.	
D756,331 S *	5/2016	Kamlet	D14/214
D758,336 S	6/2016	Kelly et al.	
D764,403 S	8/2016	Azuma	
D772,092 S	11/2016	Hageman et al.	
D788,550 S	6/2017	Waldron	
D790,512 S	6/2017	Lee	
D807,324 S	1/2018	Cheney et al.	
D827,608 S	9/2018	Nugent et al.	
D829,191 S *	9/2018	Yang	D14/214
2005/0083639 A1	4/2005	Zick et al.	
2012/0099750 A1 *	4/2012	Kalyuzhny	H04R 3/00 381/334

OTHER PUBLICATIONS

YouTube—Fender Portable PA System, announced Sep. 10, 2014 [online], [site visited Sep. 8, 2017]. Available from internet, URL: <<https://www.youtube.com/watch?v=pIbAfXTxGnc>>.

JBL EON206P Portable All-in-One 2-way PA System with 6-Channel Mixer, Amazon.com, Date first listed on Amazon: Aug. 26, 2014, [online], [site visited Jun. 17, 2019]. URL: <https://www.amazon.com/JBL-EON206P-Portable-System-6-Channel/dp/B00N2AZVHW> (Year: 2014).

Pyle PPHP898MX 600 Watt 8-Channel Portable Bluetooth Wireless PA Speaker, Amazon.com, [online], [site visited Jun. 17, 2019]. URL: https://www.amazon.com/dp/B07FMPPVVH/ref=psdc_1197500_t3_B00N2AZVHW (Year: 2019).

Wireless Portable PA Speaker System, Amazon.com, Date first listed on Amazon: Sep. 21, 2016, [online], [site visited Jun. 17, 2019]. URL: <https://www.amazon.com/dp/B01LY6RTQM?tag=ix-soundandvision-20> (Year: 2016).

AW Portable 120W Active PA Speaker Mic Guitar AMP, Amazon.com, Date first listed on Amazon: May 25, 2015, [online], [site visited Jun. 17, 2019]. URL: https://www.amazon.com/dp/B00Y83YJBG/ref=sspa_dk_detail_7?psc=1 (Year: 2015).

* cited by examiner

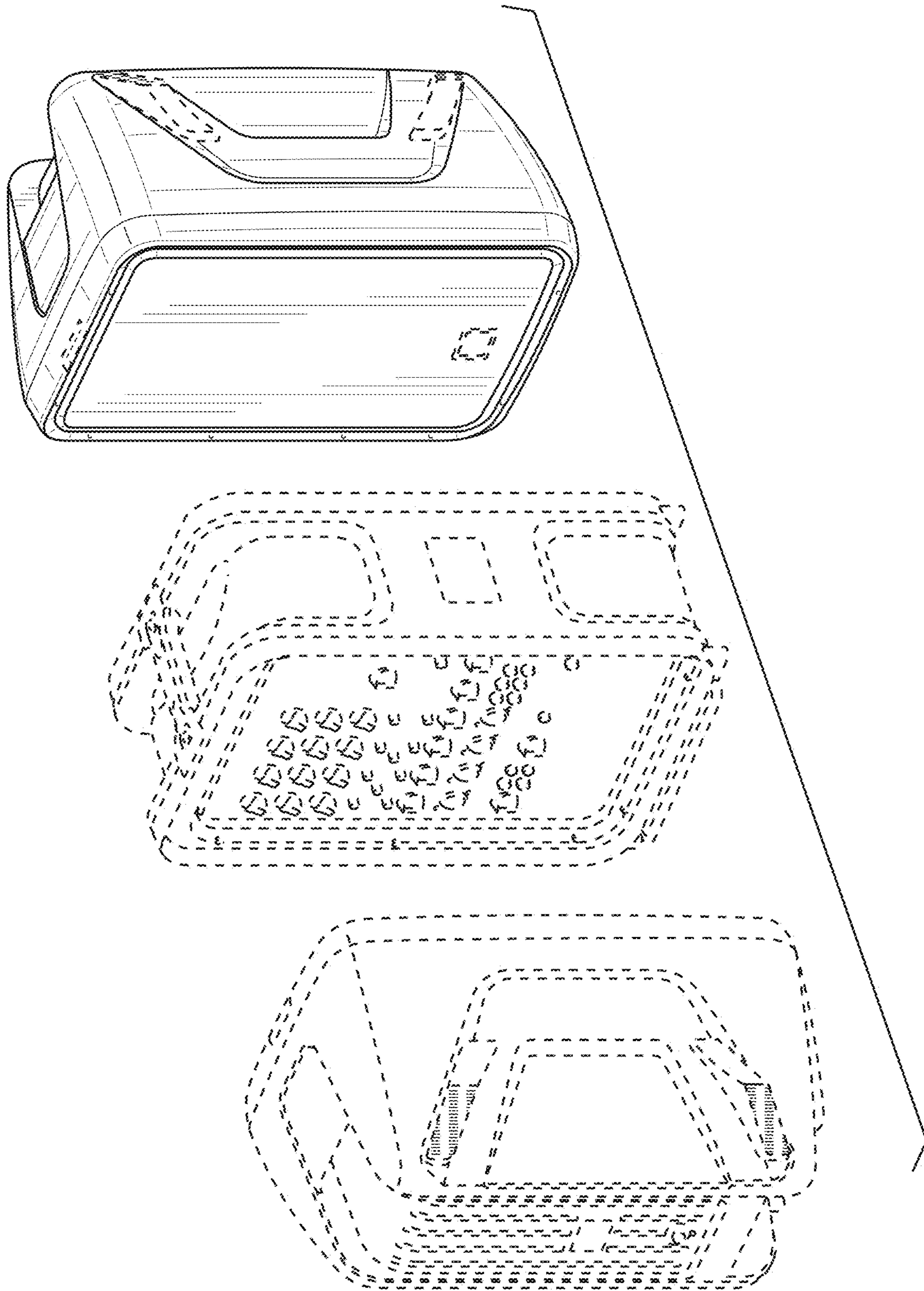


FIG. 1

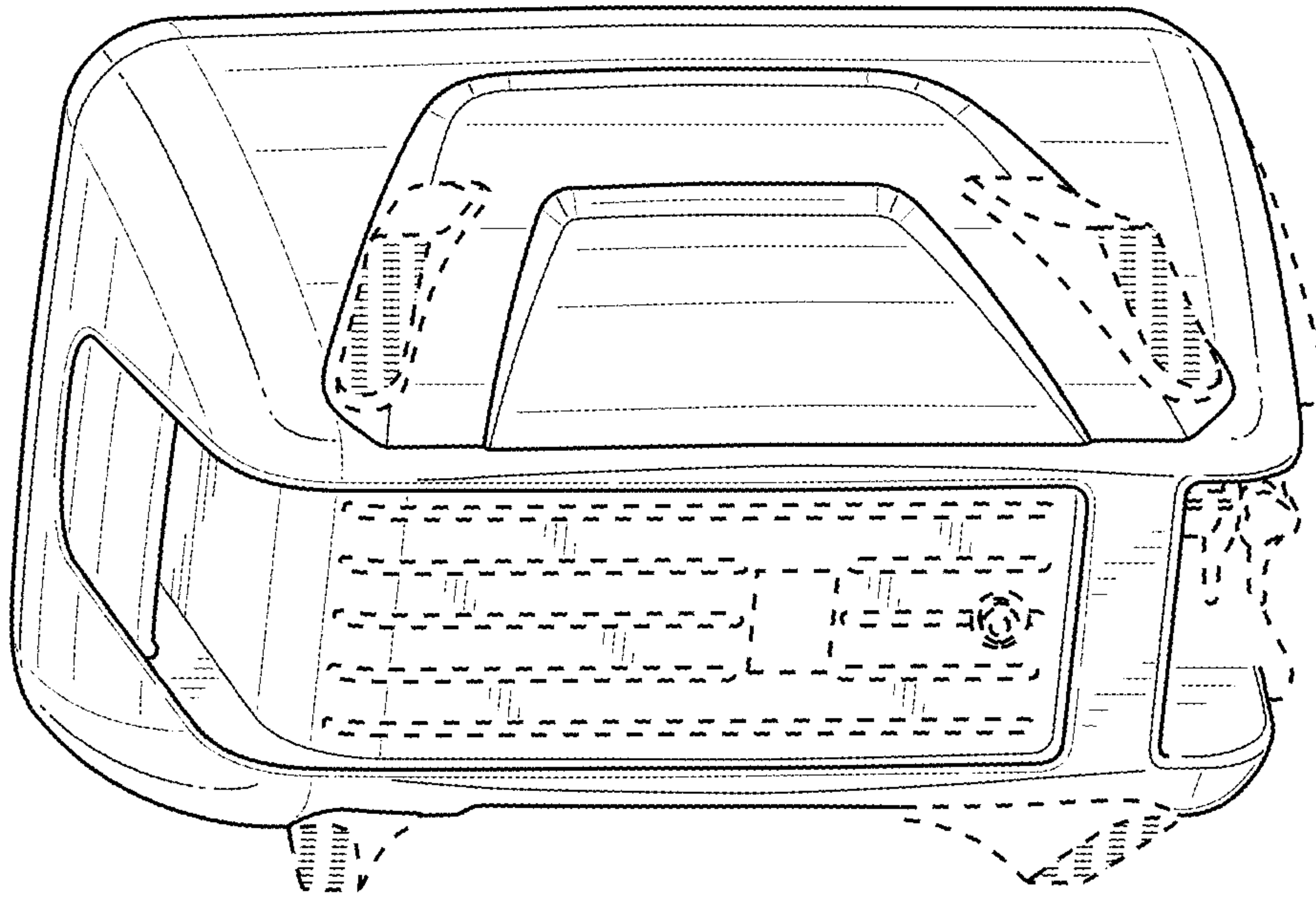


FIG. 3

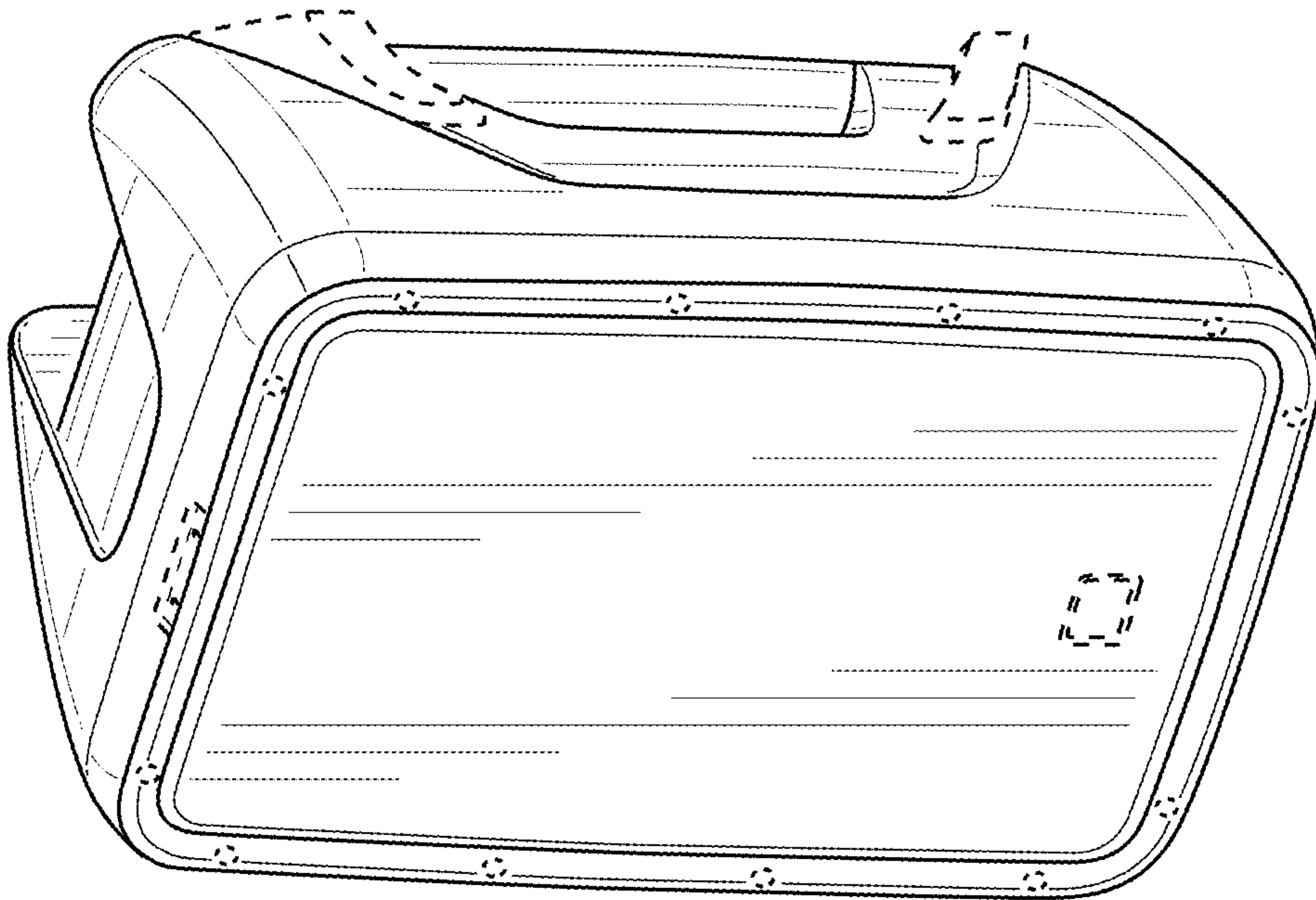


FIG. 2

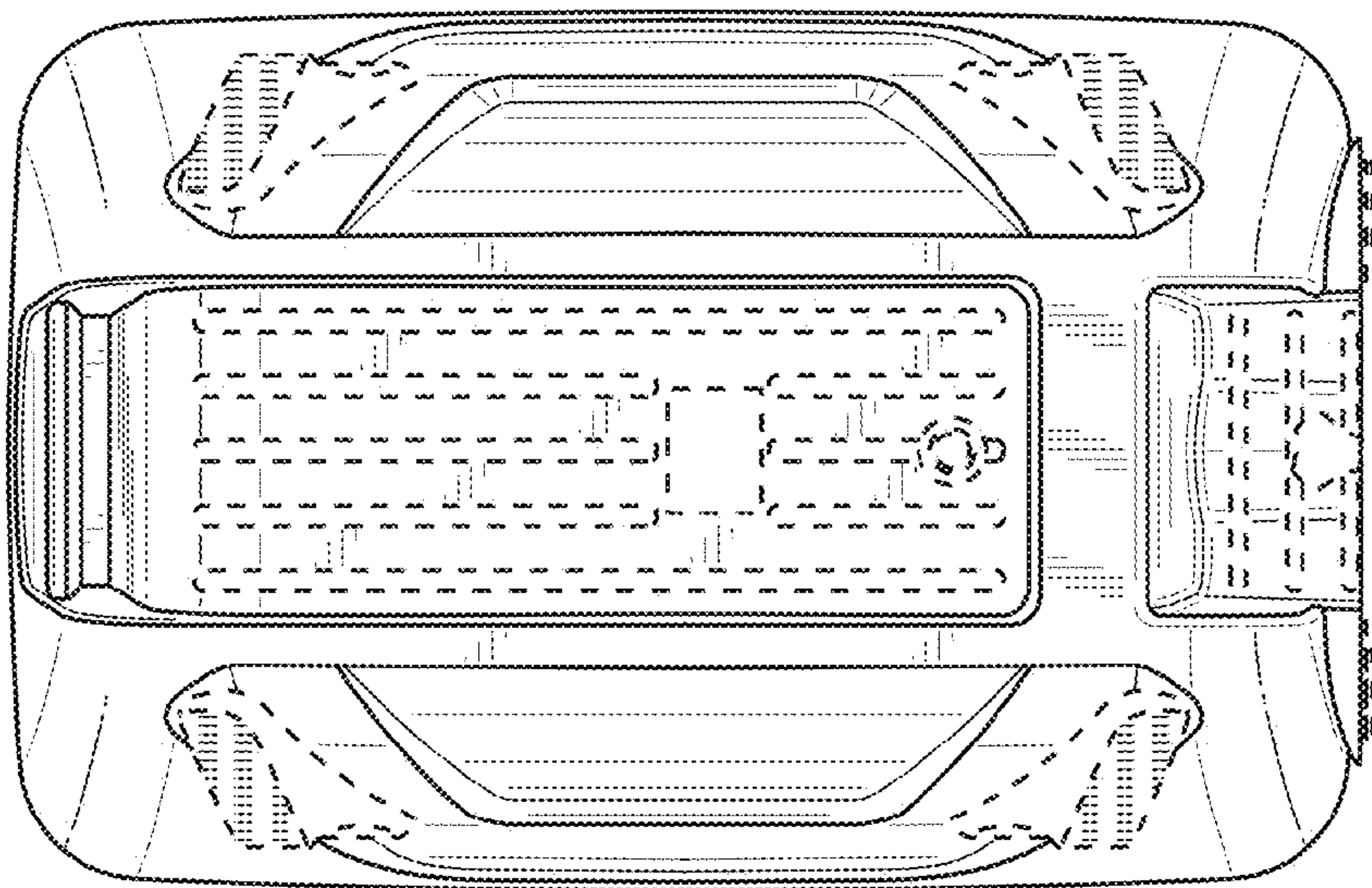


FIG. 6

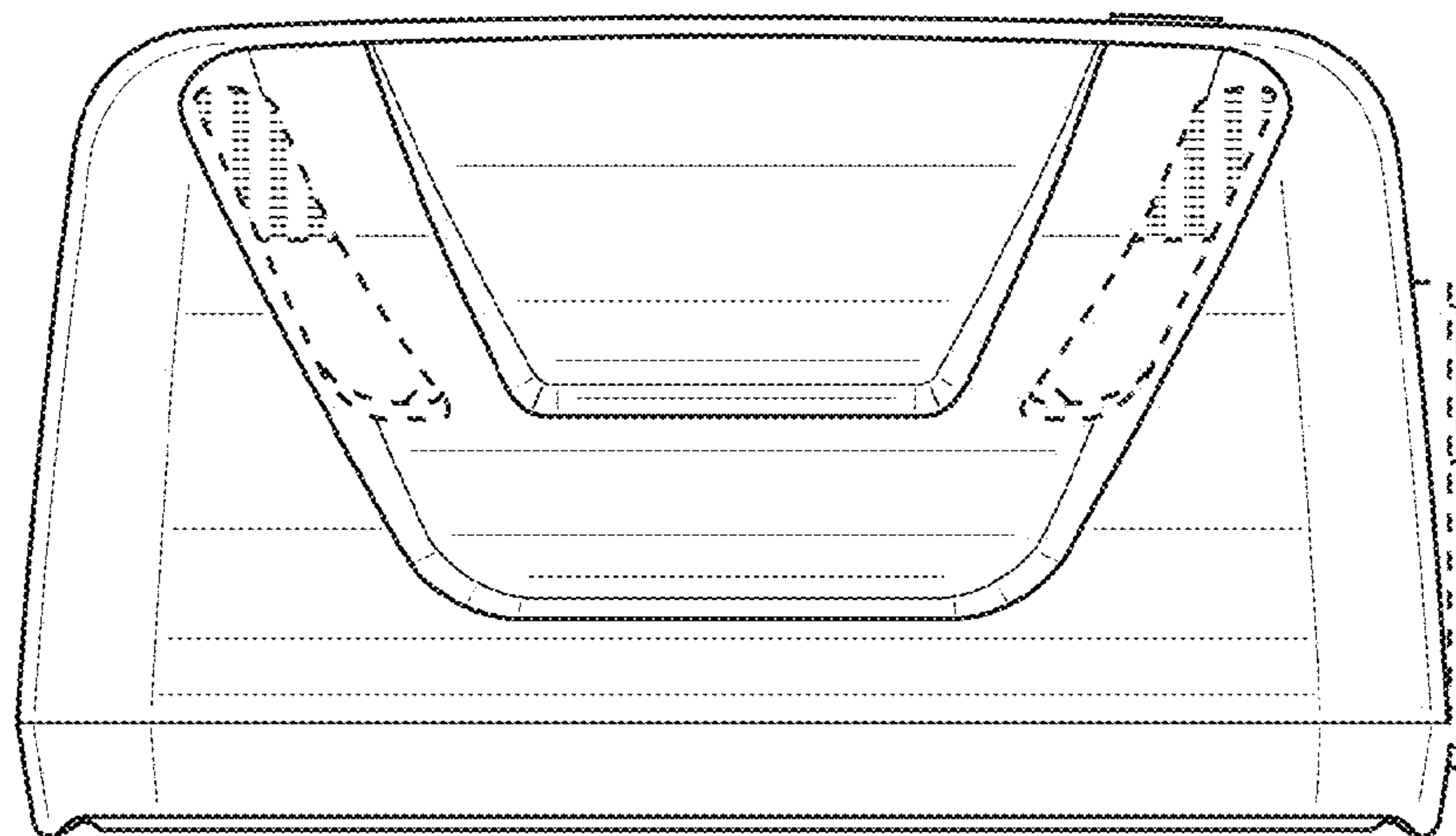


FIG. 5

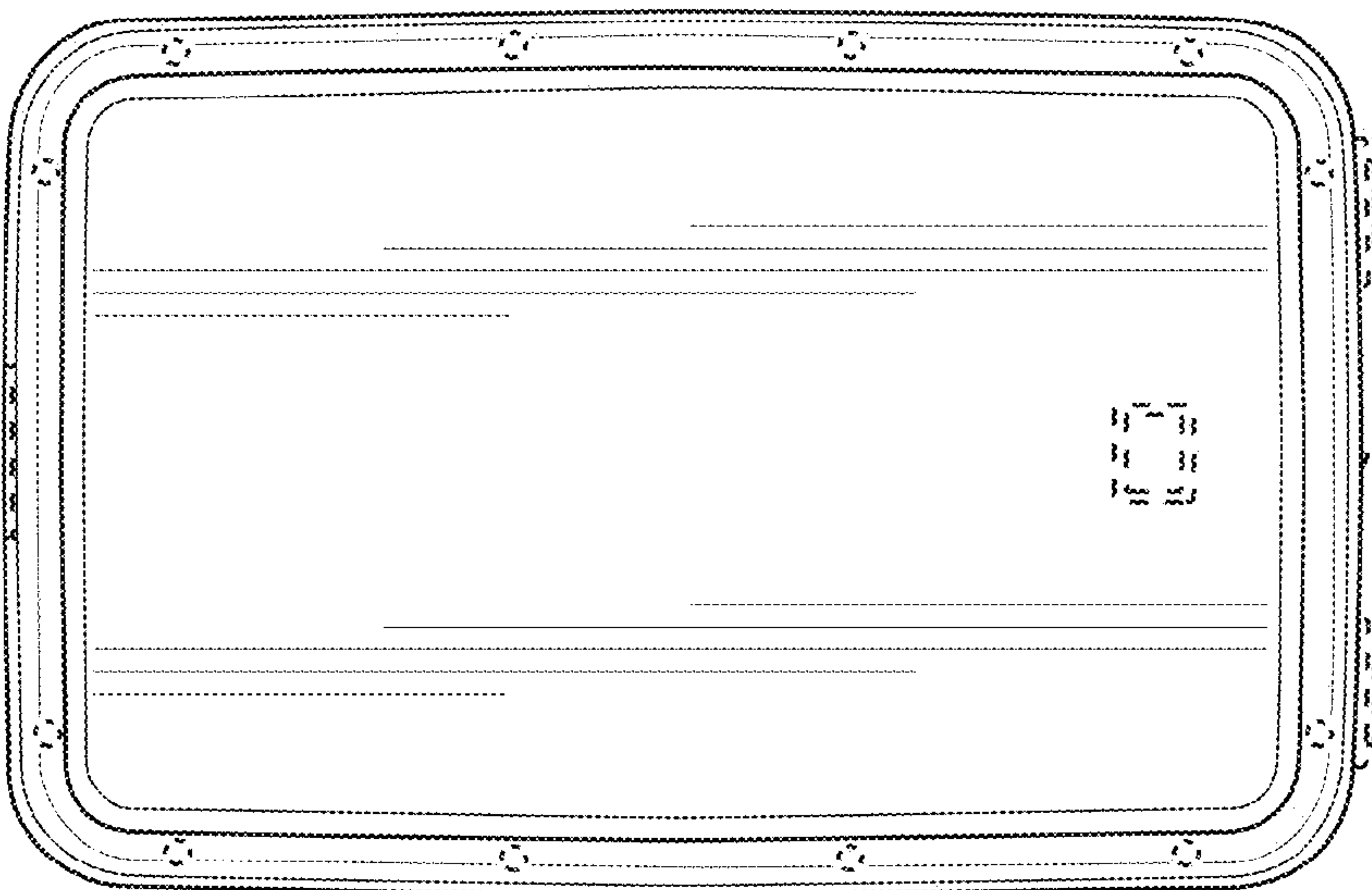


FIG. 4

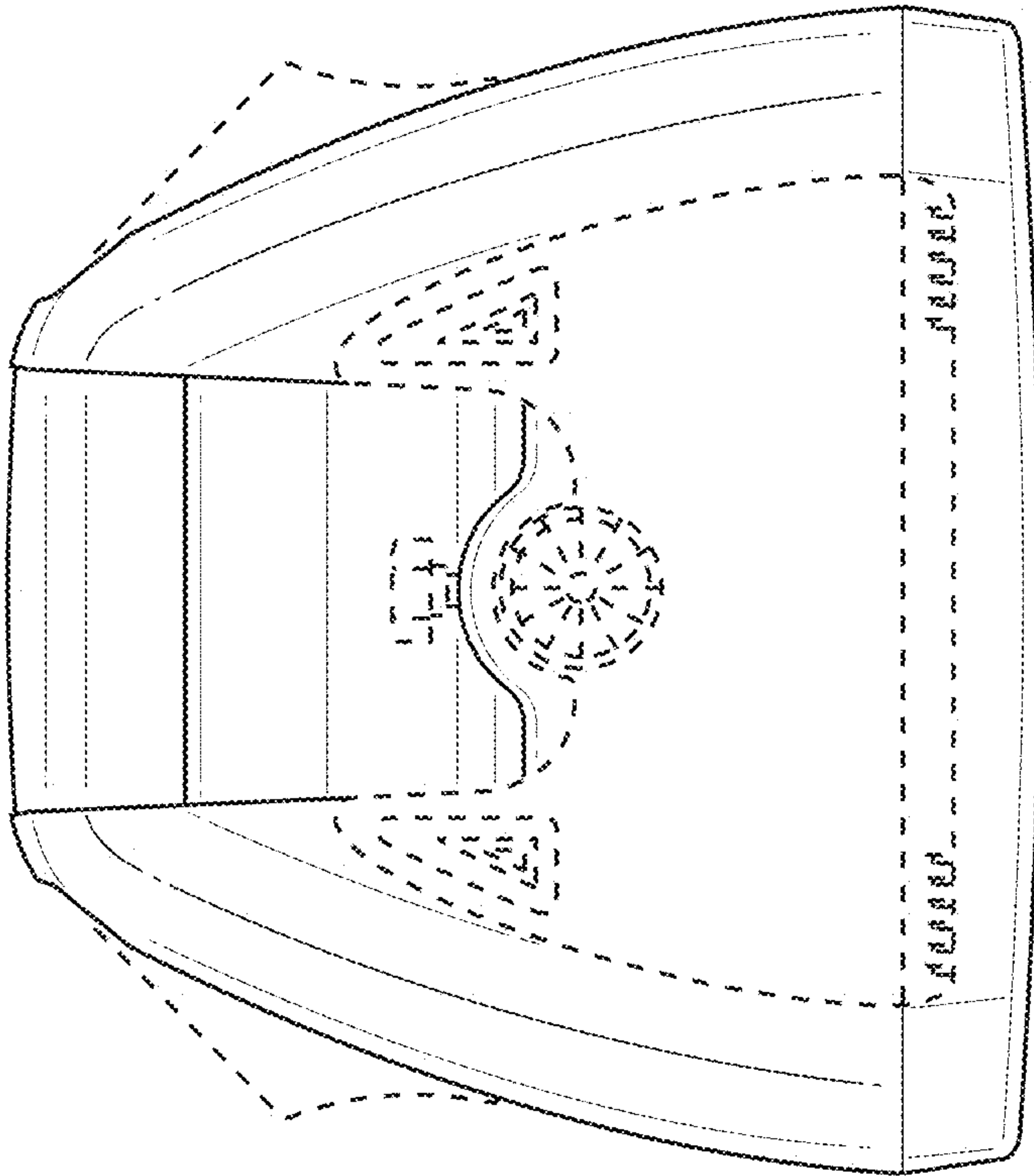


FIG. 8

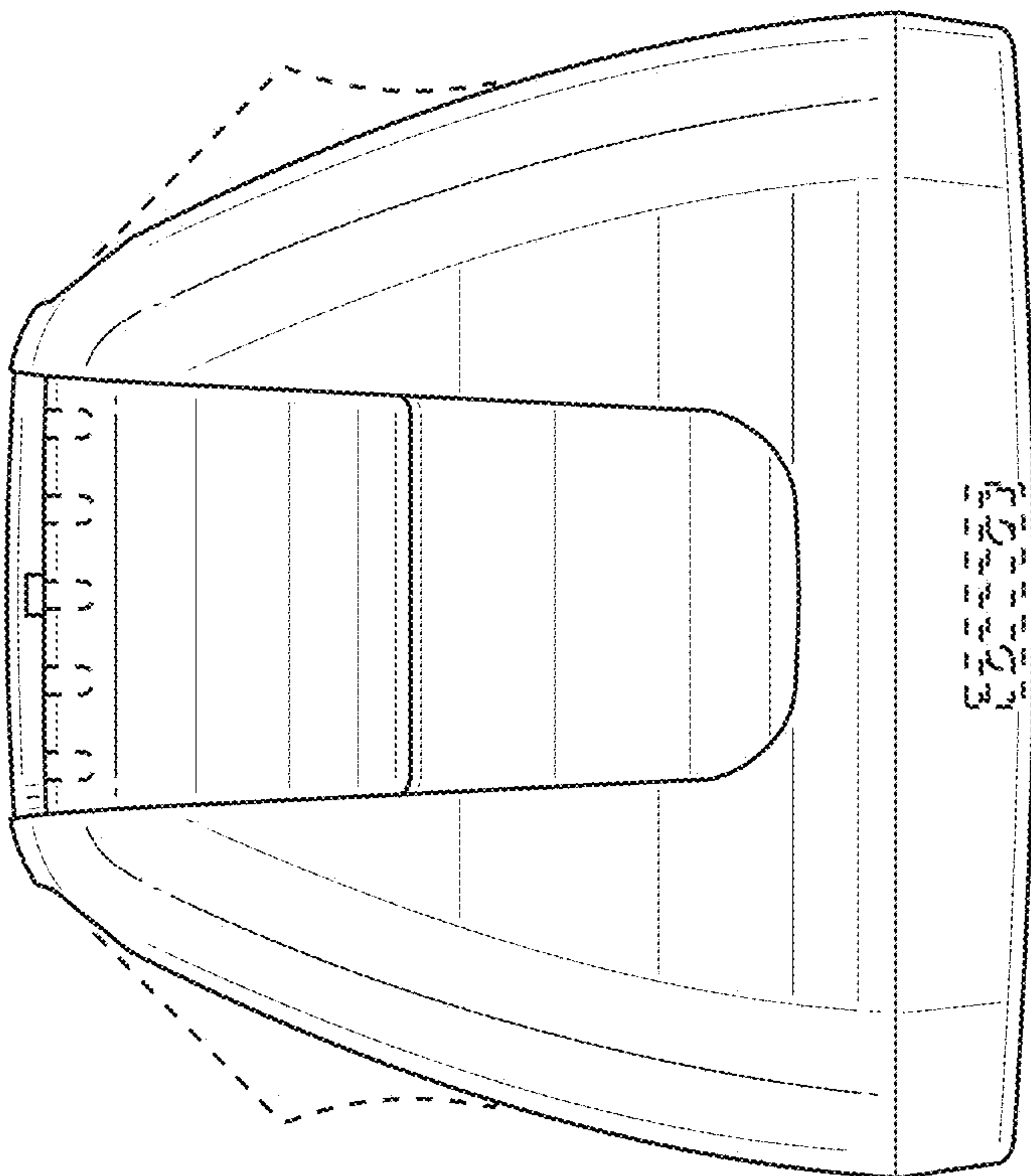


FIG. 7

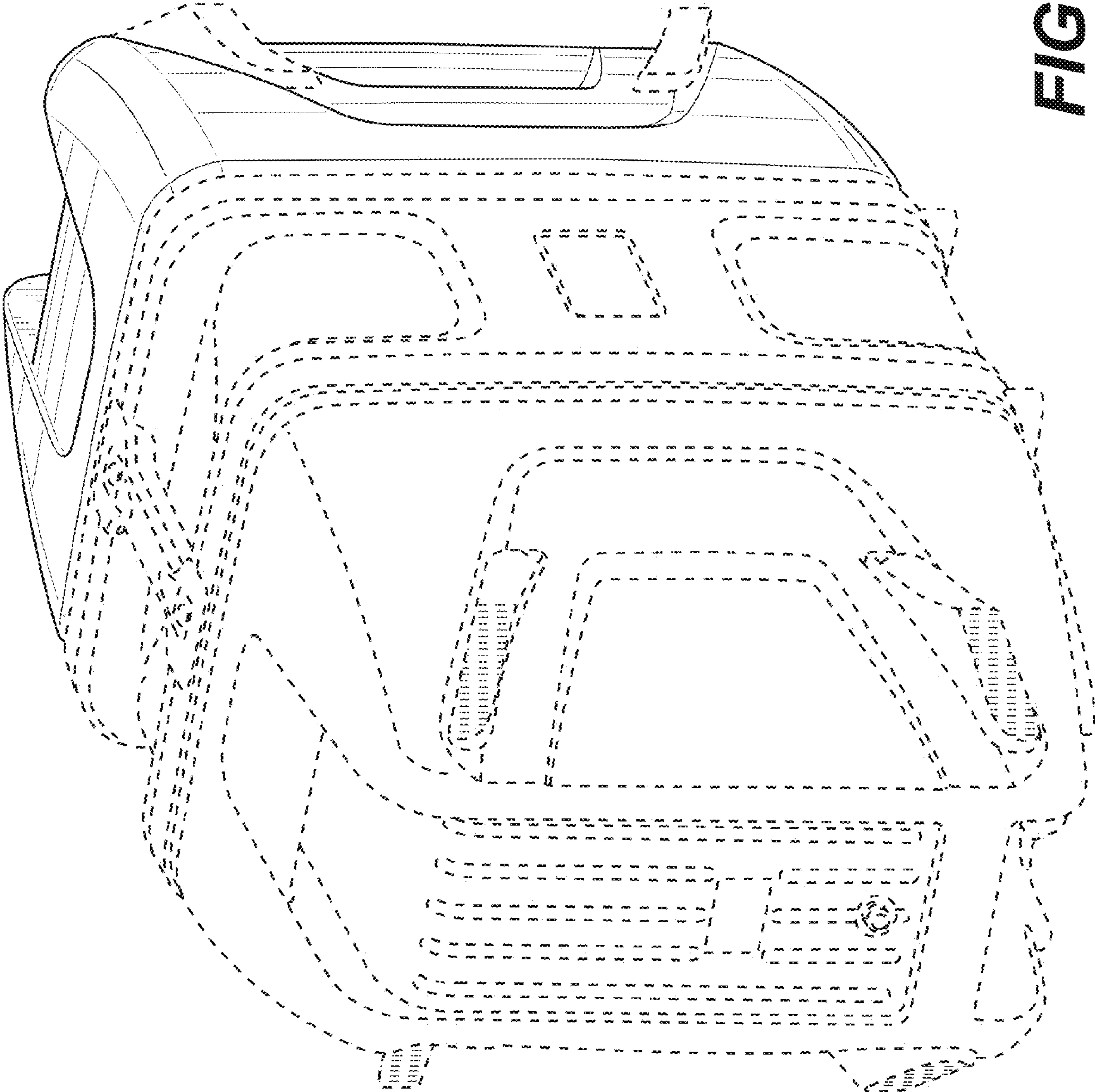


FIG. 9