



US00D907598S

(12) **United States Design Patent** (10) **Patent No.:** **US D907,598 S**
Mei (45) **Date of Patent:** **** Jan. 12, 2021**

(54) **HEADPHONE**
(71) Applicant: **Qingkai Mei**, Guangdong (CN)
(72) Inventor: **Qingkai Mei**, Guangdong (CN)
(73) Assignee: **Shenzhen MeiDong Acoustics Co., Ltd.**, Guangdong (CN)
(**) Term: **15 Years**
(21) Appl. No.: **29/682,818**
(22) Filed: **Mar. 8, 2019**
(51) **LOC (13) Cl.** **14-01**
(52) **U.S. Cl.**
USPC **D14/205**
(58) **Field of Classification Search**
USPC D14/205, 188, 192; D29/112; 2/209;
381/380, 381, 374; 455/90.3, 575.1,
455/569.1
CPC H04R 25/00; H04R 1/1066; H04R 1/1016;
H04R 5/033; H04R 5/0335
See application file for complete search history.

D628,189 S * 11/2010 Rath D14/206
D632,668 S * 2/2011 Brunner D14/205
D637,176 S * 5/2011 Brunner D14/205
D637,579 S * 5/2011 Hamaura D14/205
D639,776 S * 6/2011 Arimoto D14/205
D642,554 S * 8/2011 Schaal D14/205
D643,405 S * 8/2011 Rath D14/206
D652,406 S * 1/2012 Lee D14/205
D657,345 S * 4/2012 Brunner H04R 5/033
D14/205
D657,776 S * 4/2012 Lee D14/205
D658,158 S * 4/2012 Suzuki D14/205
D662,080 S * 6/2012 Carr D14/205
D666,168 S * 8/2012 Rath D14/206
D673,520 S * 1/2013 Tan D14/205
D675,595 S * 2/2013 Cho D14/205

(Continued)

FOREIGN PATENT DOCUMENTS

CN 305790699 * 5/2020
KR 301059617.0000 * 5/2020

Primary Examiner — Paula Allen Greene

(57) **CLAIM**

The ornamental design for a headphone, as shown and described.

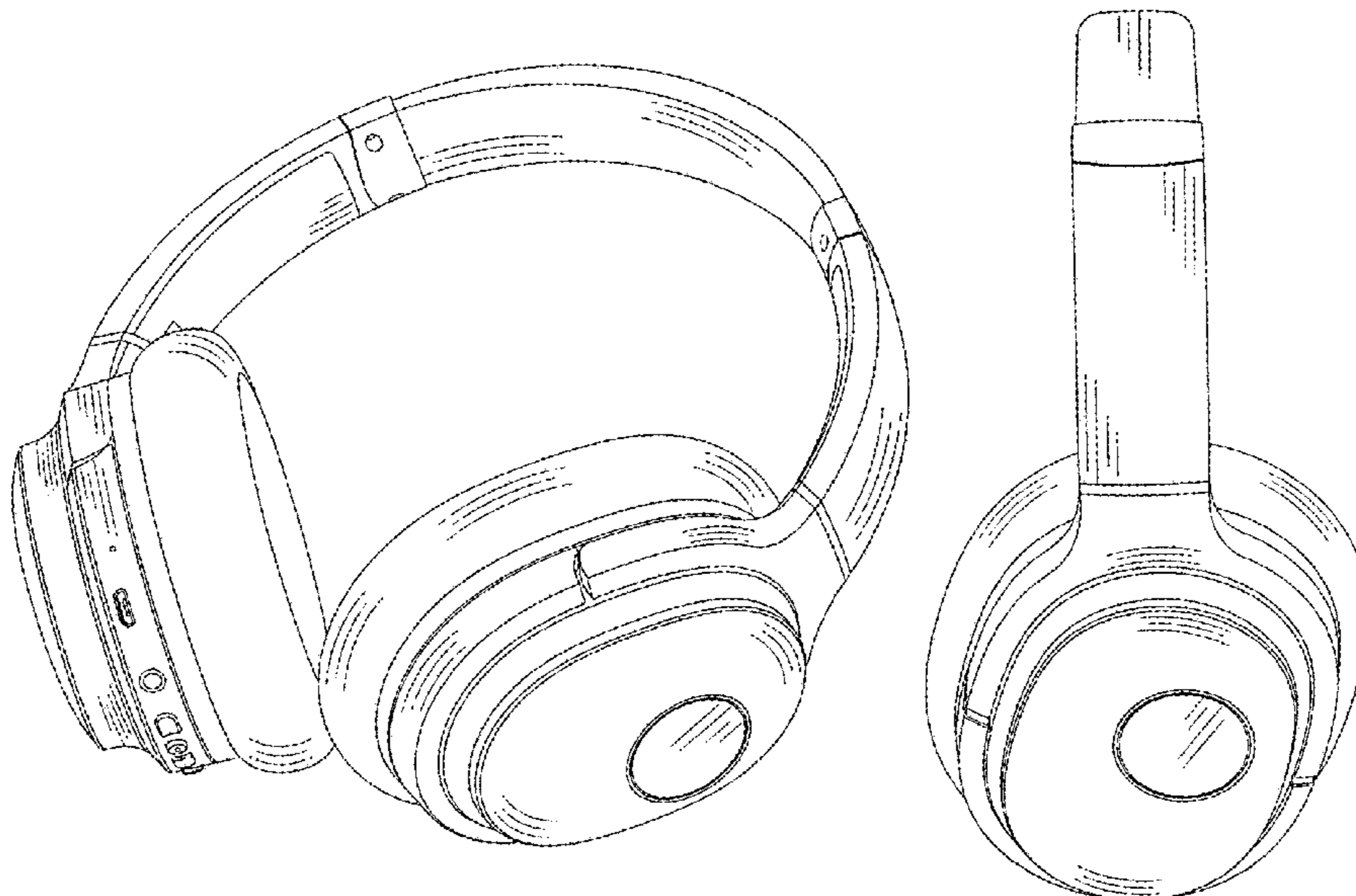
DESCRIPTION

FIG. 1 is a perspective view of a headphone showing my new design;
FIG. 2 is a front elevation view thereof;
FIG. 3 is a rear elevation view thereof;
FIG. 4 is a left side elevation view thereof;
FIG. 5 is a right side elevation view thereof;
FIG. 6 is a top plan view thereof; and,
FIG. 7 is a bottom plan view thereof.
The broken lines depict environment and are for illustrative purposes only; the broken lines form no part of the claimed design.

1 Claim, 7 Drawing Sheets

(56) **References Cited**
U.S. PATENT DOCUMENTS

D484,485 S * 12/2003 Matsuoka D14/205
D530,307 S * 10/2006 Rath D14/206
D531,165 S * 10/2006 Rath D14/206
D534,155 S * 12/2006 Obata D14/205
D563,382 S * 3/2008 Wikel D14/205
D573,581 S * 7/2008 Gondo D14/205
D581,394 S * 11/2008 Lee D14/205
7,457,649 B1 * 11/2008 Wilson H04R 1/1025
379/428.02
D582,890 S * 12/2008 Koza D14/205
D589,492 S * 3/2009 Mistry D14/205
D592,640 S * 5/2009 Tkachuk D14/205
D603,370 S * 11/2009 Suzuki D14/205
D603,371 S * 11/2009 Boateng D14/205
D625,705 S * 10/2010 Ohori D14/205



(56)

References Cited

U.S. PATENT DOCUMENTS

D683,329 S * 5/2013 Hagelin D14/205
 D683,717 S * 6/2013 Kelly D14/205
 D691,579 S * 10/2013 Lee D14/205
 D691,984 S * 10/2013 Wang D14/205
 D696,226 S * 12/2013 Brunner H04R 1/1008
 D14/205
 D699,702 S * 2/2014 Chen D14/205
 D704,163 S * 5/2014 Brunner H04R 1/1008
 D14/205
 D707,200 S * 6/2014 Yang H04R 1/1066
 D14/205
 8,755,555 B2 * 6/2014 Dougherty H04R 1/1066
 381/370
 8,818,011 B2 * 8/2014 Chen H04R 1/1083
 381/379
 D713,374 S * 9/2014 Farrage D14/205
 D719,136 S * 12/2014 Schaal D14/205
 D722,998 S * 2/2015 Sancho D14/205
 9,002,026 B2 * 4/2015 Lin H04R 1/1008
 381/74
 D729,196 S * 5/2015 Liu D14/205
 D733,090 S * 6/2015 Petersen D14/205
 D739,842 S * 9/2015 Birger D14/205

D769,221 S * 10/2016 Pedersen D14/206
 D782,995 S * 4/2017 Matthews D14/205
 D800,691 S * 10/2017 Ando D14/205
 D814,440 S * 4/2018 Hardi D14/205
 D823,278 S * 7/2018 Ito D14/205
 D826,210 S * 8/2018 Chong D14/205
 D834,260 S * 11/2018 Garcia Mansilla D29/112
 D836,084 S * 12/2018 Xie D14/205
 D840,370 S * 2/2019 Kelly D14/205
 D842,270 S * 3/2019 Chen D14/205
 D852,163 S * 6/2019 Nagamine D14/205
 D852,775 S * 7/2019 Ando D14/205
 D859,354 S * 9/2019 Xia D14/205
 D860,161 S * 9/2019 Xia D14/205
 D860,163 S * 9/2019 Xia D14/205
 D868,731 S * 12/2019 Jung D14/205
 D868,733 S * 12/2019 Luo D14/205
 D869,437 S * 12/2019 Hu D14/205
 D876,388 S * 2/2020 Carr D14/205
 D877,114 S * 3/2020 Lindenberger D14/205
 D883,949 S * 5/2020 Hu D14/205
 D892,078 S * 8/2020 He D14/205
 2011/0206216 A1 * 8/2011 Brunner H04R 1/1066
 381/74
 2017/0230746 A1 * 8/2017 Silvestri G10K 11/162

* cited by examiner



FIG.1



FIG.2



FIG.3

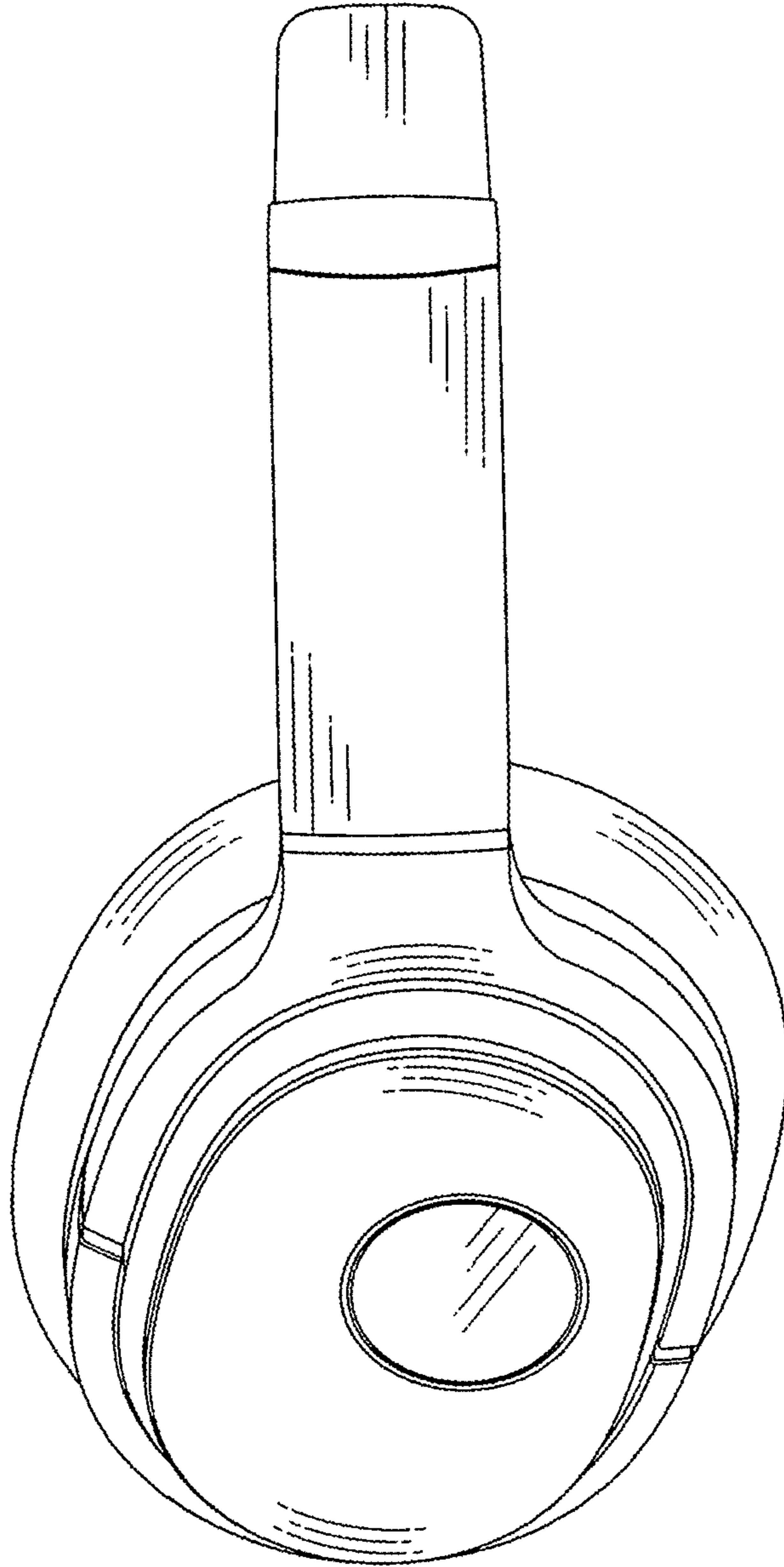


FIG.4

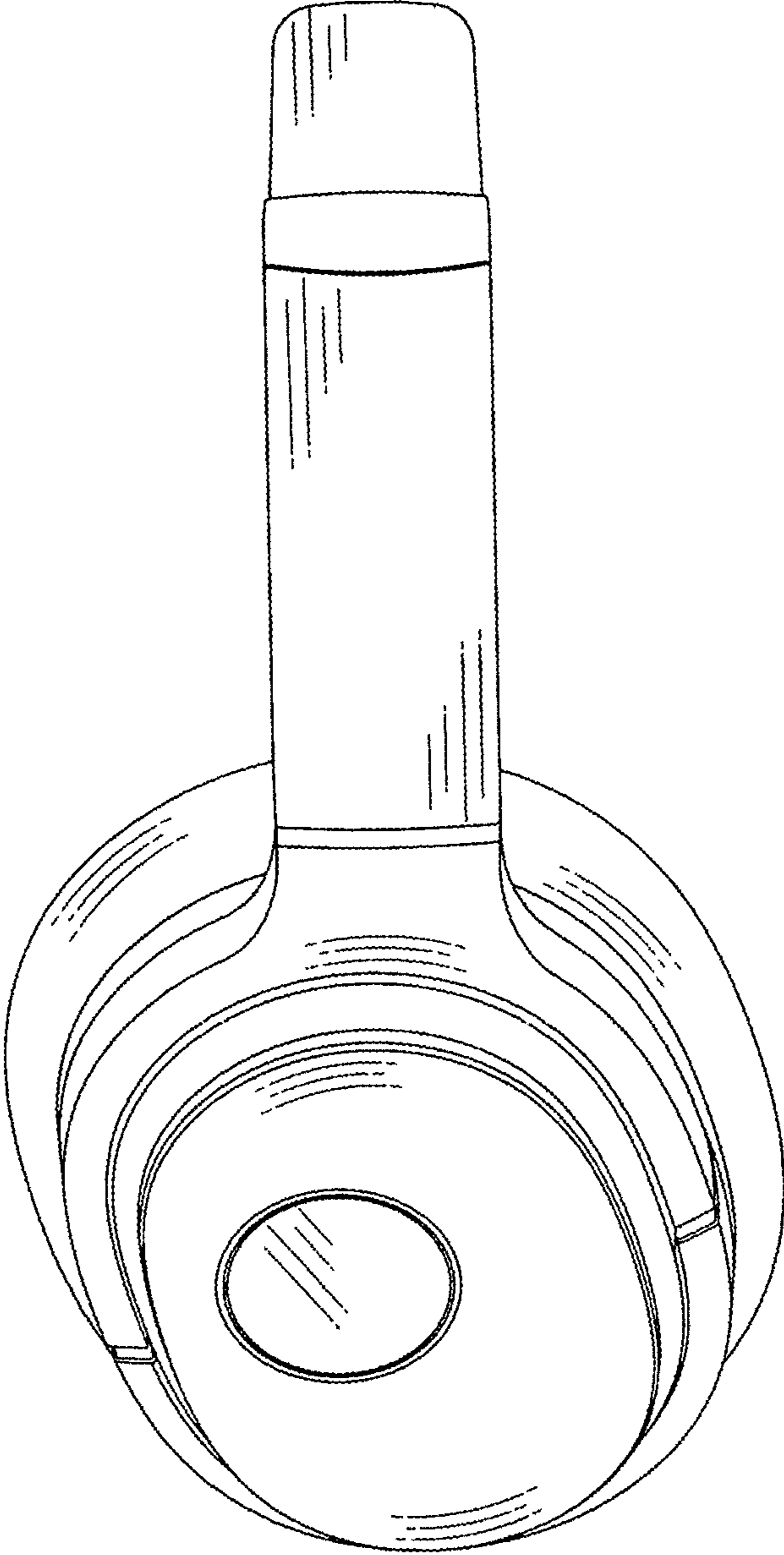


FIG.5

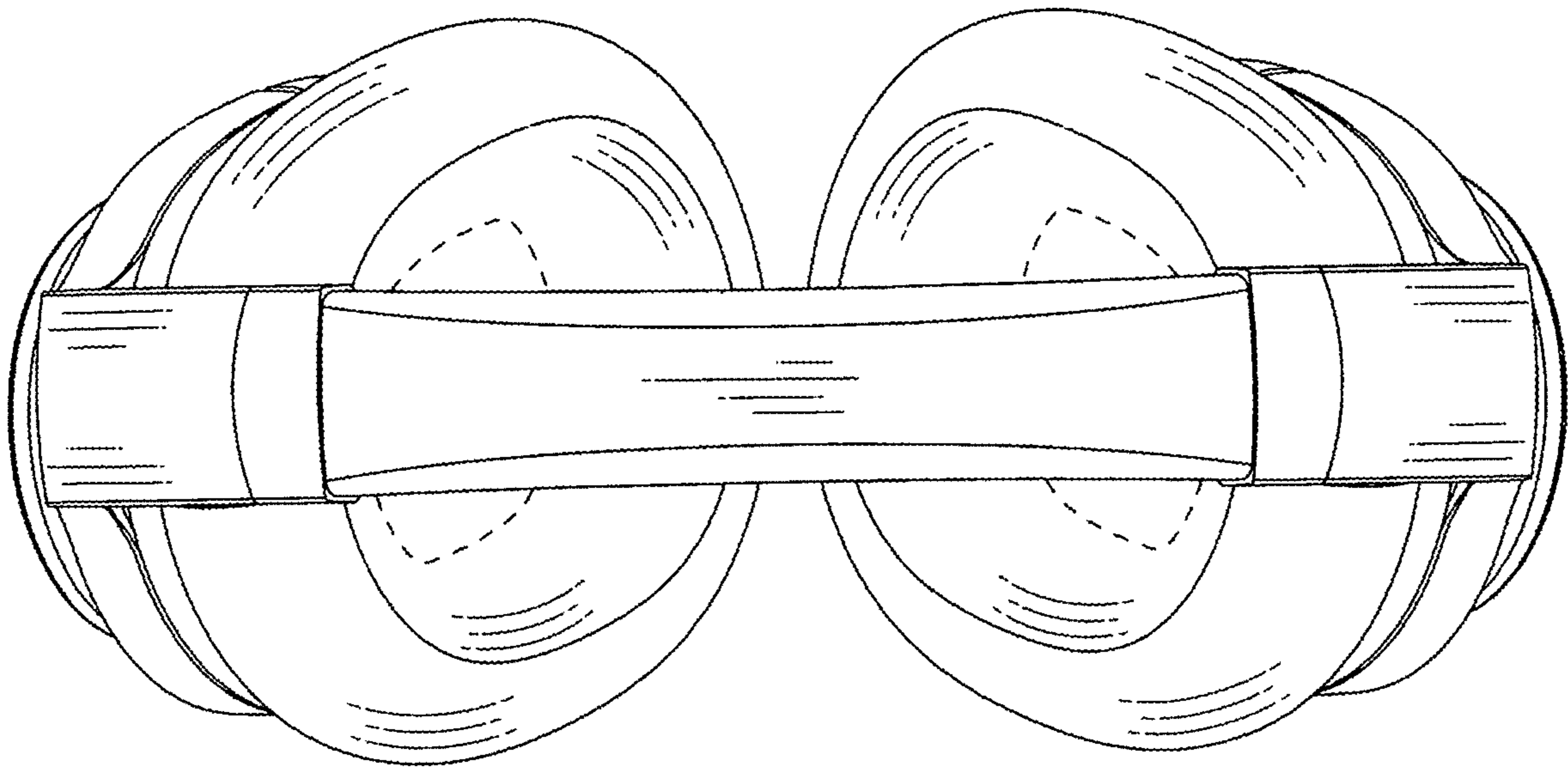


FIG.6

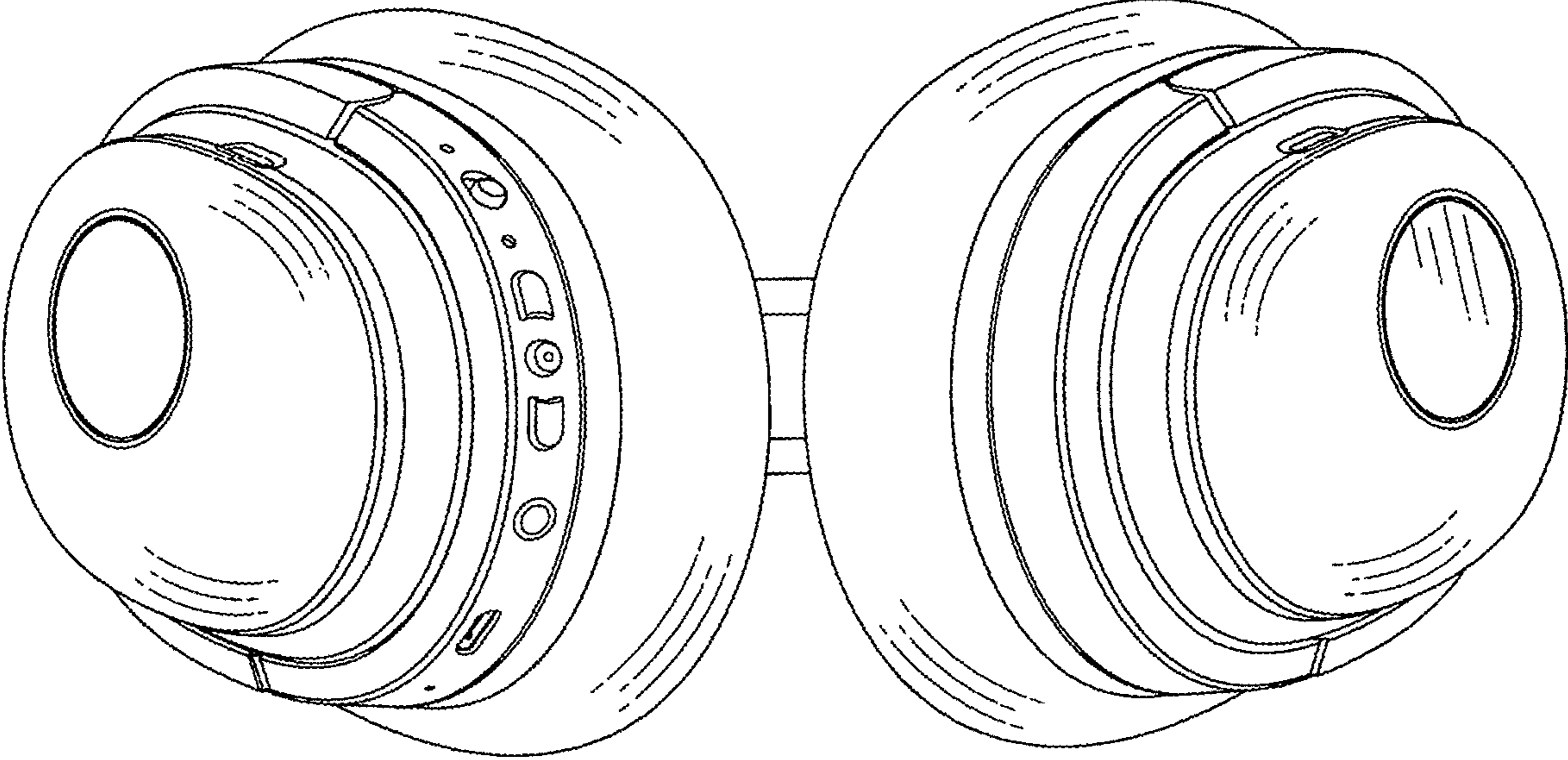


FIG. 7