



US00D907597S

(12) **United States Design Patent**
Jung et al.

(10) **Patent No.:** **US D907,597 S**
(45) **Date of Patent:** **** Jan. 12, 2021**

(54) **EARBUD HEADSET**

FOREIGN PATENT DOCUMENTS

(71) Applicant: **Skullcandy, Inc.**, Park City, UT (US)

WO 2012/024656 A2 2/2012

(72) Inventors: **Ryan Jung**, Holladay, UT (US); **Mike Jacobs**, Salt Lake City, UT (US); **Eran Vautour**, Salt Lake City, UT (US)

Primary Examiner — Paula Allen Greene

(74) *Attorney, Agent, or Firm* — TraskBritt

(73) Assignee: **Skullcandy, Inc.**, Park City, UT (US)

(57) **CLAIM**

The ornamental design for an earbud headset, as shown and described.

(**) Term: **15 Years**

DESCRIPTION

(21) Appl. No.: **29/682,620**

(22) Filed: **Mar. 6, 2019**

(51) **LOC (13) Cl.** **14-01**

(52) **U.S. Cl.**
USPC **D14/205**

(58) **Field of Classification Search**
USPC D14/205, 223; D24/174; 128/864, 865,
128/866; 381/380, 381, 328, 322;
455/90.3, 575.1, 569.1
CPC H04R 1/10; H04R 25/00; H04R 25/02;
H04R 1/1016; H04R 1/1066; H04R
5/033; H04R 5/0335
See application file for complete search history.

FIG. 1 is a front right perspective view of an earbud headset (including a left earbud shown on the right and a right earbud shown on the left) showing a first embodiment of our new design;

FIG. 2 is a front left perspective view of the earbud headset shown in FIG. 1 (with the right earbud shown on the left and the left earbud shown on the right);

FIG. 3 is a front view of the earbud headset shown in FIG. 1 (with the left earbud shown on the right and the right earbud shown on the left);

FIG. 4 is a back view of the earbud headset shown in FIG. 1 (with the right earbud shown on the right and the left earbud shown on the left);

FIG. 5 is a left side view of the earbud headset shown in FIG. 1;

FIG. 6 is a right side view of the earbud headset shown in FIG. 1; and

FIG. 7 is a top view of the earbud headset shown in FIG. 1 (with the right earbud shown on the left and the left earbud shown on the right);

FIG. 8 is a bottom view of the earbud headset shown in FIG. 1 (with the right earbud shown on the right and the left earbud shown on the left); and,

FIG. 9 is a bottom view of the earbud headset like that of FIG. 8 but with a portion of the connecting wire removed to reveal the bottom sides of the left and right earbuds.

The broken lines depict unclaimed environment that is for illustrative purposes only; the broken lines form no part of the claimed design.

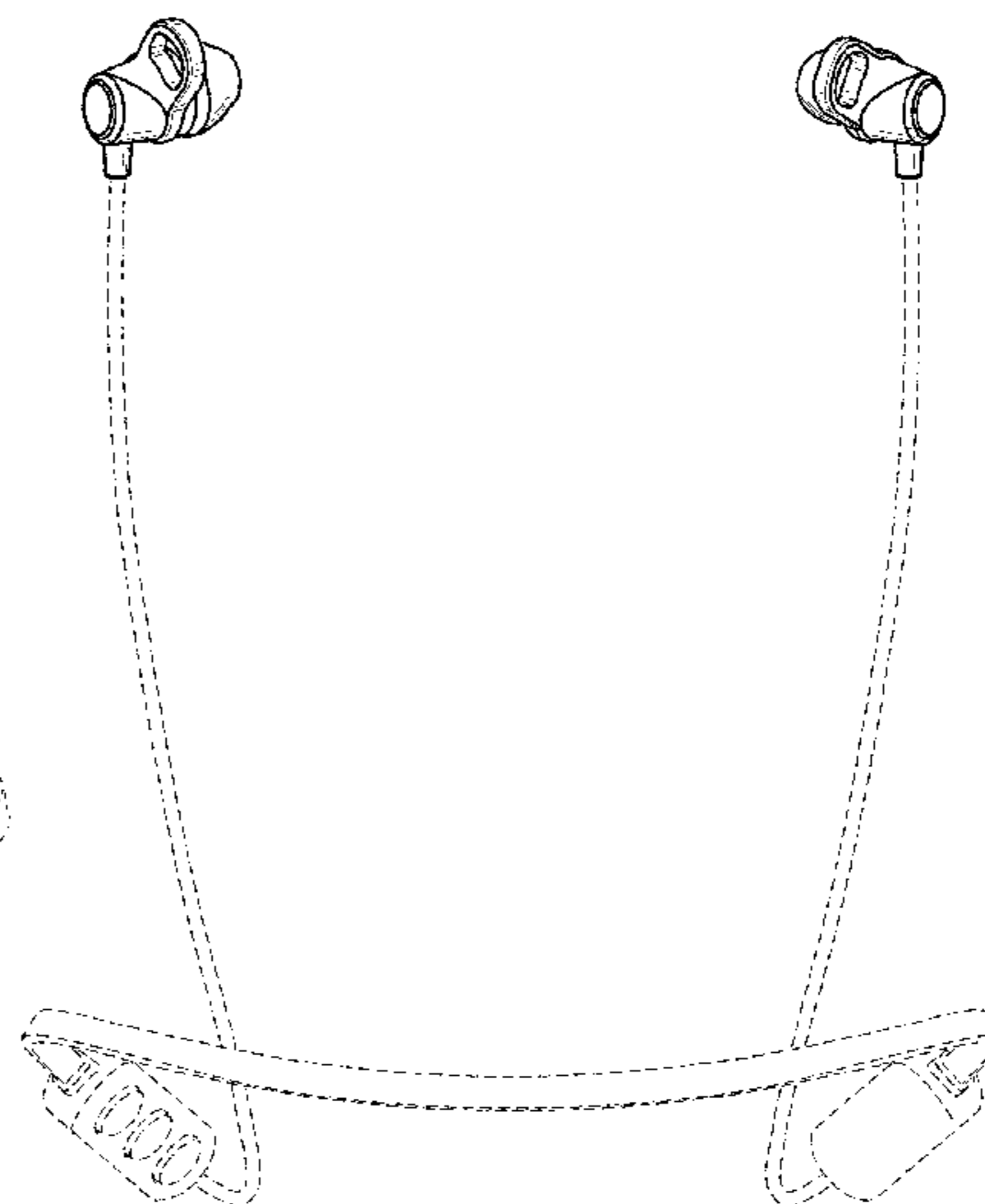
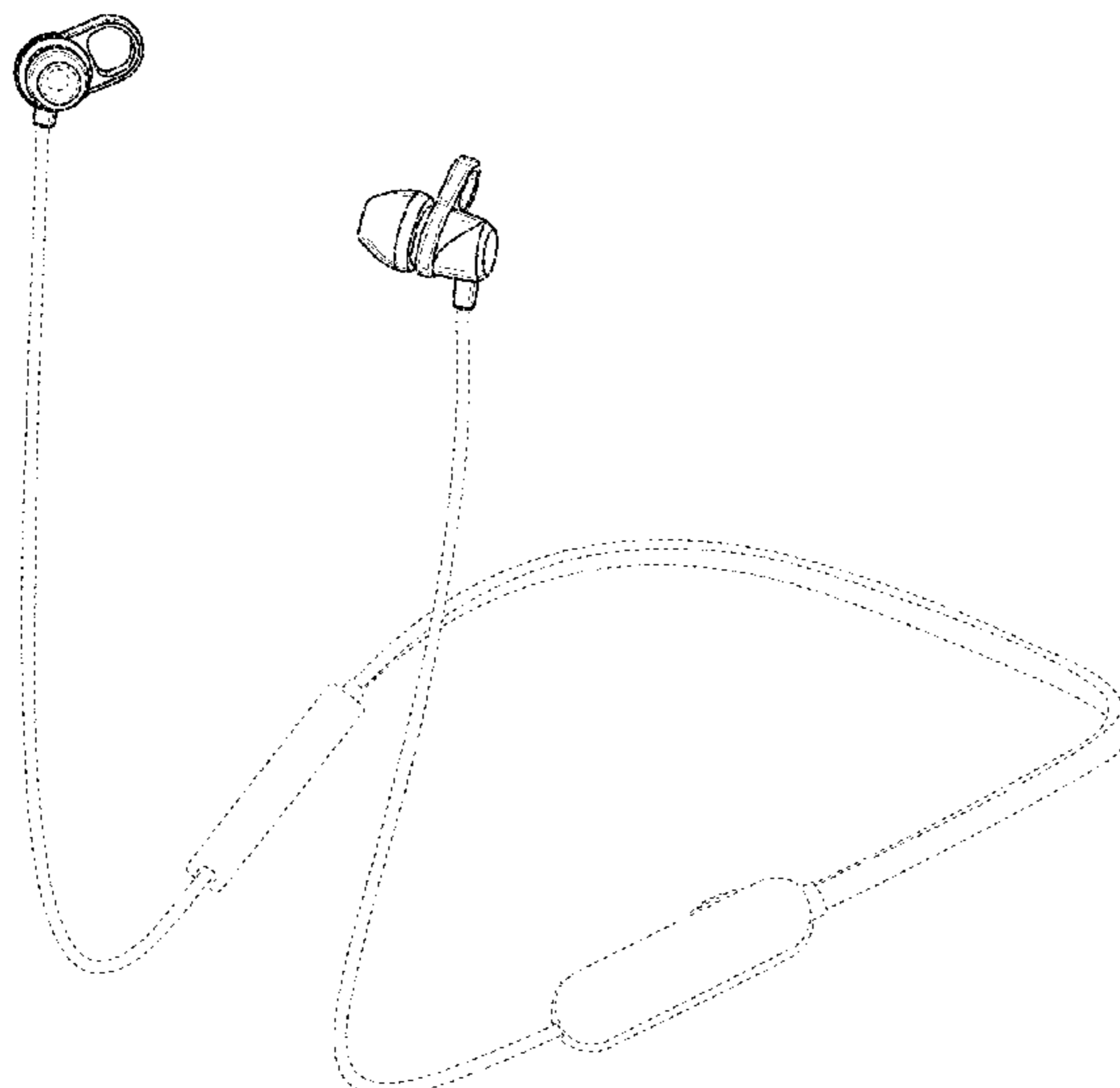
(56) **References Cited**

U.S. PATENT DOCUMENTS

D470,122 S *	2/2003	Hlas	D14/205
D470,123 S *	2/2003	Hlas	D14/205
D470,128 S *	2/2003	Hlas	D14/205
D519,108 S *	4/2006	Yang	D14/223
D622,704 S *	8/2010	Fahrendorff	D14/223
D624,057 S	9/2010	Kelly et al.		
D628,194 S *	11/2010	Koch	D14/223
7,949,127 B2 *	5/2011	Pedersen	H04R 1/1066 379/430
D655,760 S *	3/2012	Ikeda	D14/400
D656,129 S	3/2012	Kelly et al.		

(Continued)

1 Claim, 9 Drawing Sheets



(56)

References Cited

U.S. PATENT DOCUMENTS

D664,124 S *	7/2012	Smith	D14/223	D799,452 S *	10/2017	Lee	D14/223
8,229,154 B2 *	7/2012	Ito	H04R 1/10 242/378.4	D801,950 S *	11/2017	Otani	D14/223
D673,140 S	12/2012	Kelly et al.		D806,879 S *	1/2018	Horbinski	D24/174
D674,376 S	1/2013	Kelly et al.		D808,360 S *	1/2018	Arimoto	D14/205
D681,602 S *	5/2013	Koch	D14/205	9,900,680 B2	2/2018	Milam et al.	
D682,808 S *	5/2013	Fletcher	D14/205	D812,042 S *	3/2018	Xiao	D14/223
D682,809 S *	5/2013	Fletcher	D14/205	D813,205 S *	3/2018	Palmborg	D14/223
8,457,557 B2	6/2013	Alden		D817,309 S *	5/2018	Czaniecki	D14/223
D685,343 S *	7/2013	Fletcher	D14/205	D822,646 S *	7/2018	Dang	D14/223
D685,761 S *	7/2013	Fletcher	D14/205	D824,359 S *	7/2018	Czaniecki	D14/205
D685,767 S	7/2013	Kelly et al.		D826,211 S *	8/2018	Kim	D14/206
D687,410 S *	8/2013	Fletcher	D14/205	D827,616 S *	9/2018	Lian	D14/223
8,515,115 B2	8/2013	Kelly et al.		D828,823 S *	9/2018	Lin	D14/223
D699,215 S *	2/2014	Koch	D14/205	D828,826 S *	9/2018	Schaal	D14/223
D701,196 S	3/2014	Kelly et al.		D864,919 S *	10/2019	Bonahoom	D14/223
D701,197 S	3/2014	Kelly et al.		D870,695 S *	12/2019	Min	D14/205
D715,253 S *	10/2014	Lee	D14/205	D870,708 S *	12/2019	Lindenberger	D14/223
D728,533 S	5/2015	Poulsen et al.		D872,061 S *	1/2020	Cui	D14/223
9,055,365 B2	6/2015	Kelly et al.		D873,238 S *	1/2020	Wen	D14/205
D763,224 S *	8/2016	Silvestri	A61F 11/08 D14/205	10,531,174 B2 *	1/2020	Prevoir	C08K 9/10
D767,532 S *	9/2016	Jen	D14/205	10,536,764 B2 *	1/2020	Beaudoin	H04R 1/1016
D773,439 S *	12/2016	Walker	D14/205	D875,719 S *	2/2020	Wen	D14/223
D780,157 S *	2/2017	Uggla	D14/205	D881,849 S *	4/2020	Aoyagi	D14/223
D786,216 S *	5/2017	Silva	D14/205	2003/0174853 A1 *	9/2003	Howes	H04R 1/105 381/370
D788,079 S *	5/2017	Son	D14/223	2009/0141923 A1 *	6/2009	Smith	H04R 1/1016 381/371
9,668,043 B2	5/2017	Paschel et al.		2014/0205125 A1 *	7/2014	Triato	H04R 1/1066 381/330
D796,475 S *	9/2017	Wang	D14/205	2018/0027318 A1 *	1/2018	Witt	H04R 1/1016 381/182
					2018/0103321 A1 *	4/2018	Seo	H04R 1/1025

* cited by examiner

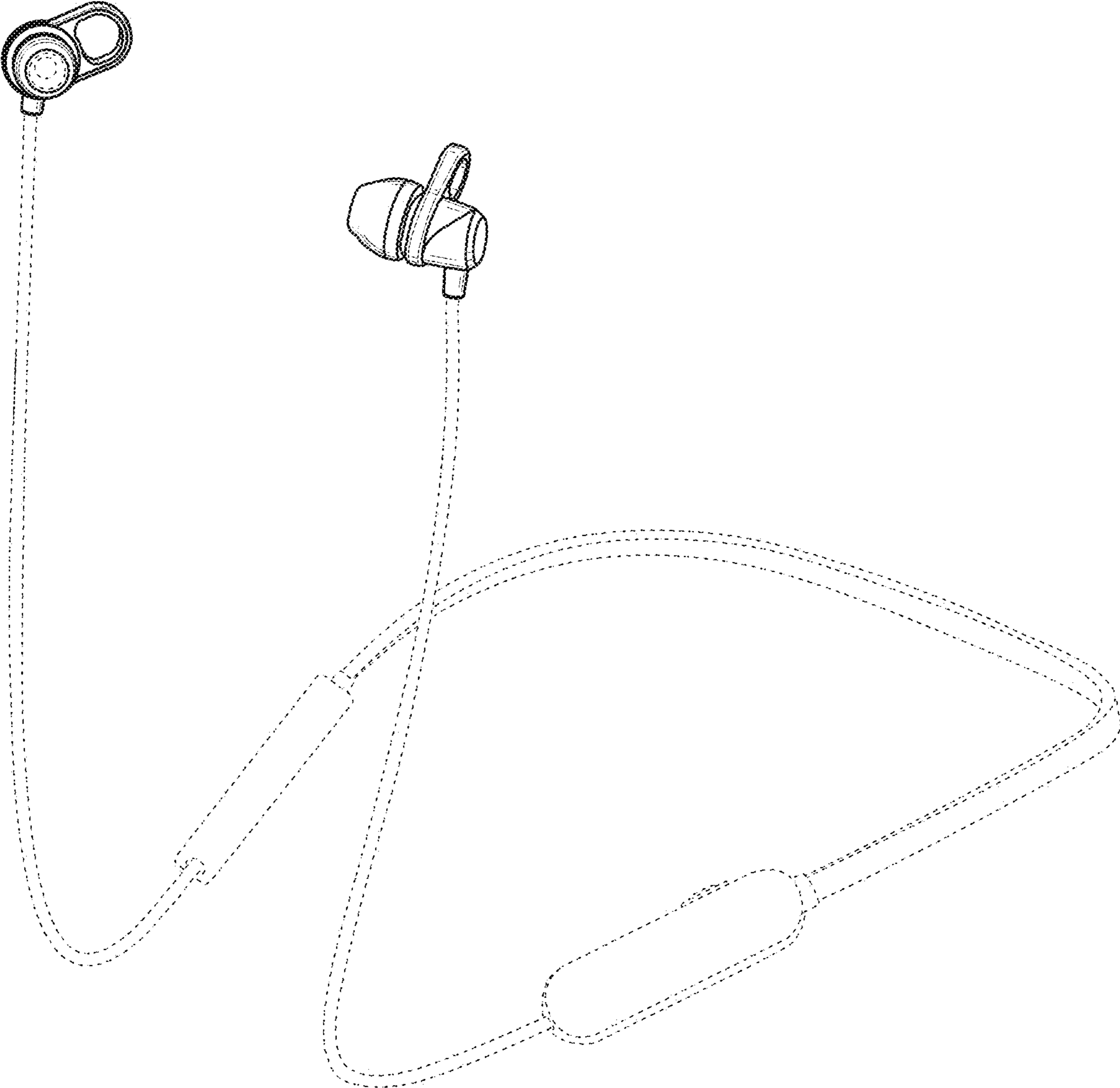


FIG. 1

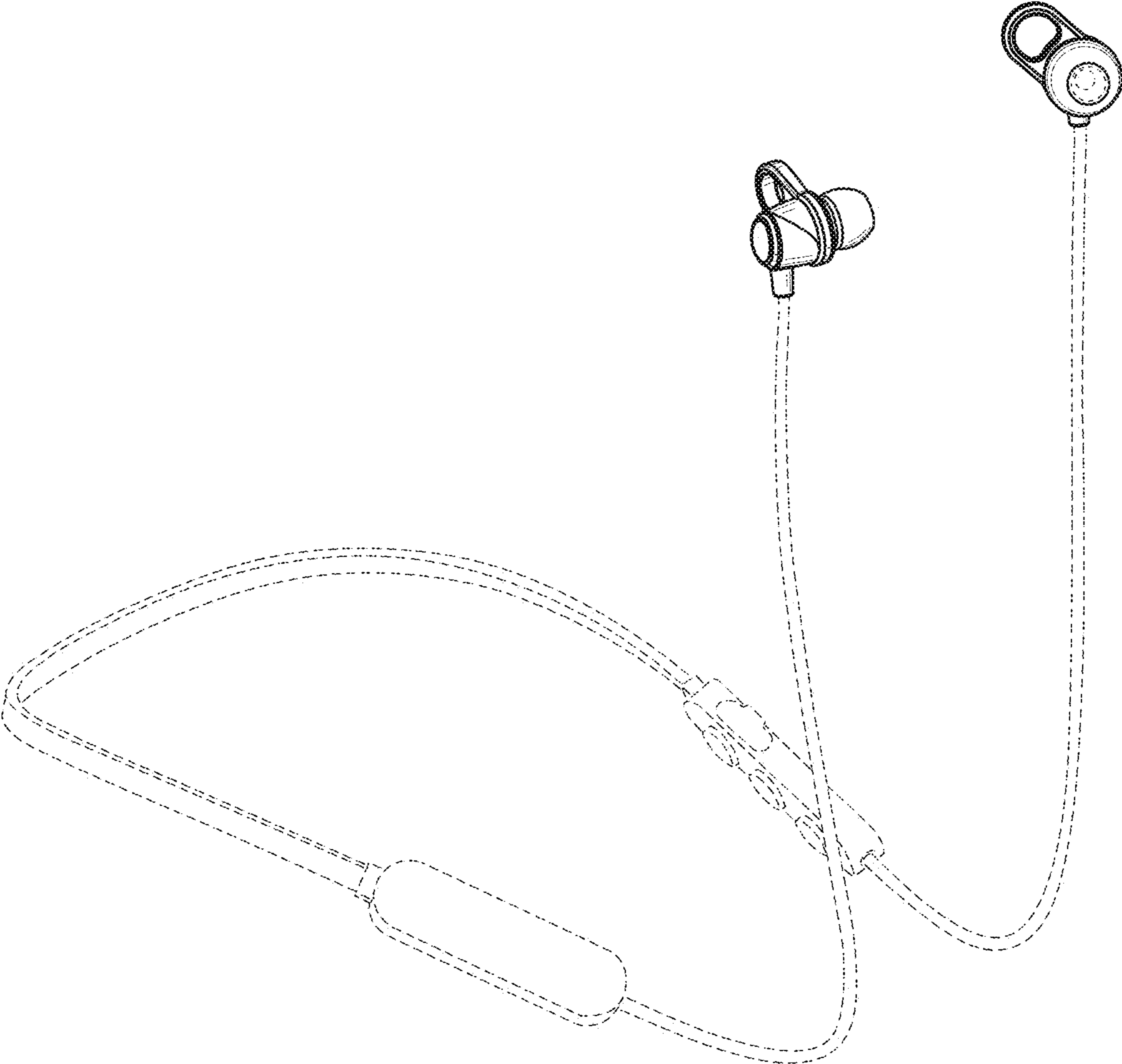


FIG. 2

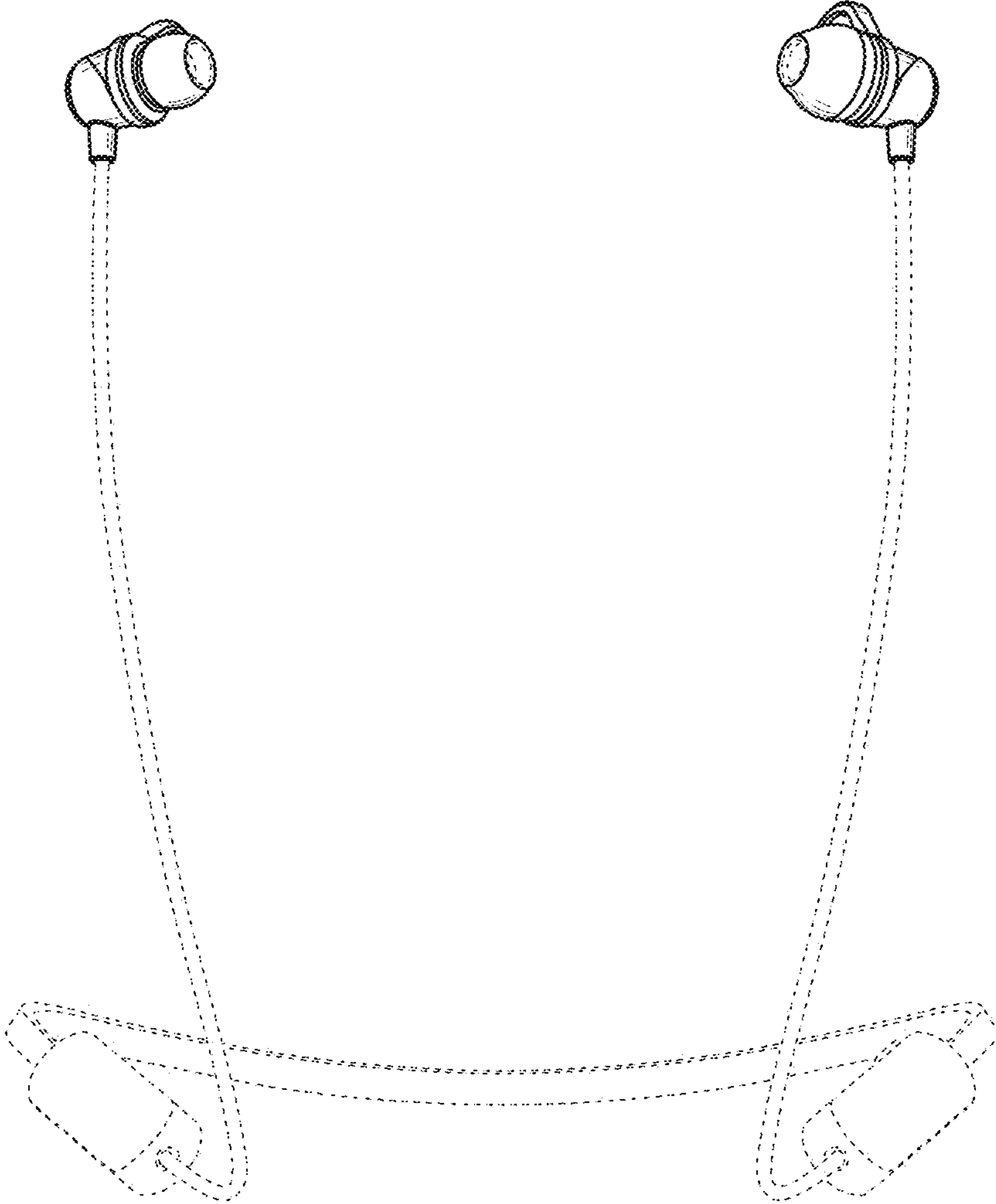


FIG. 3

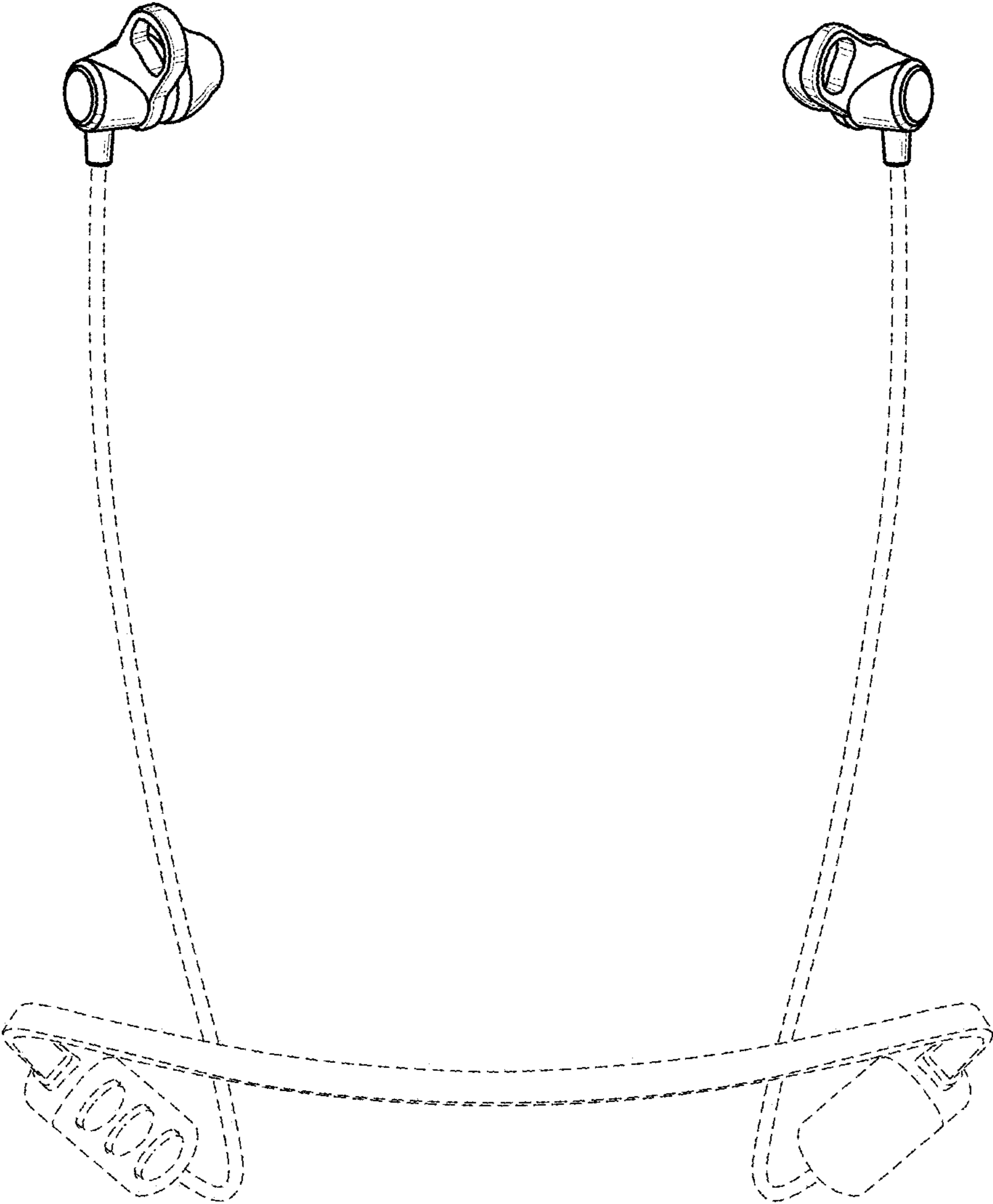


FIG. 4

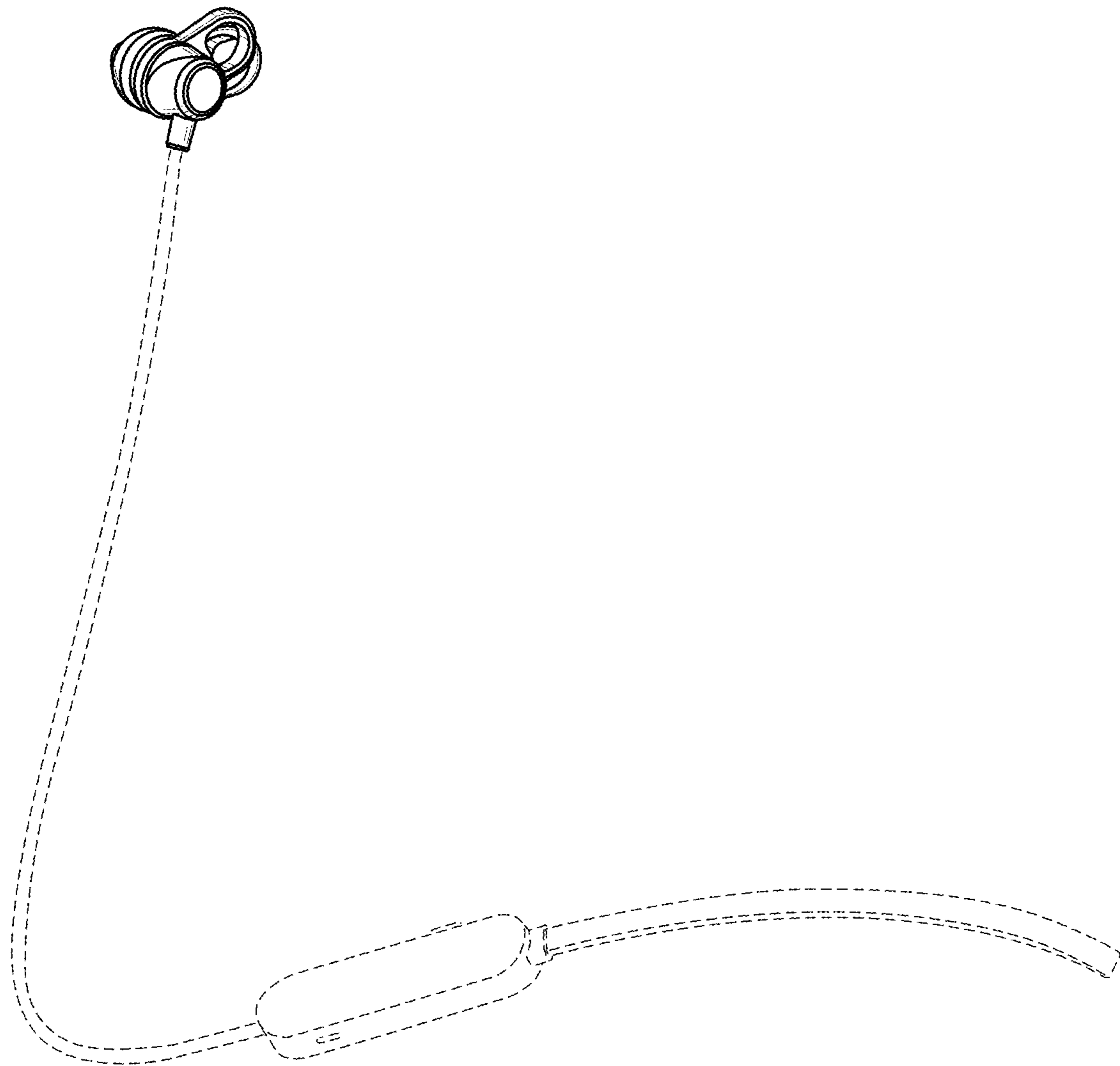


FIG. 5

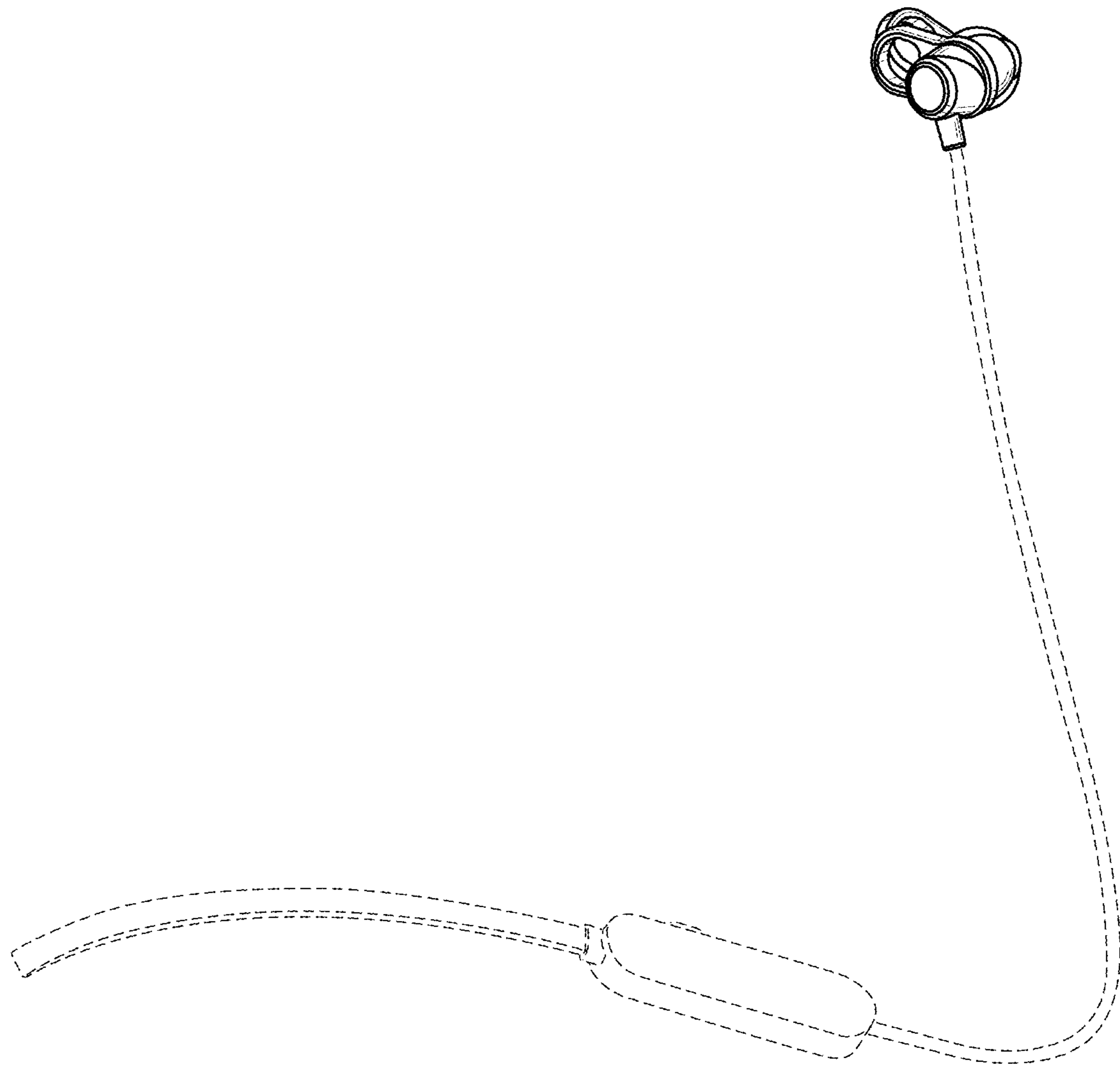


FIG. 6



FIG. 7

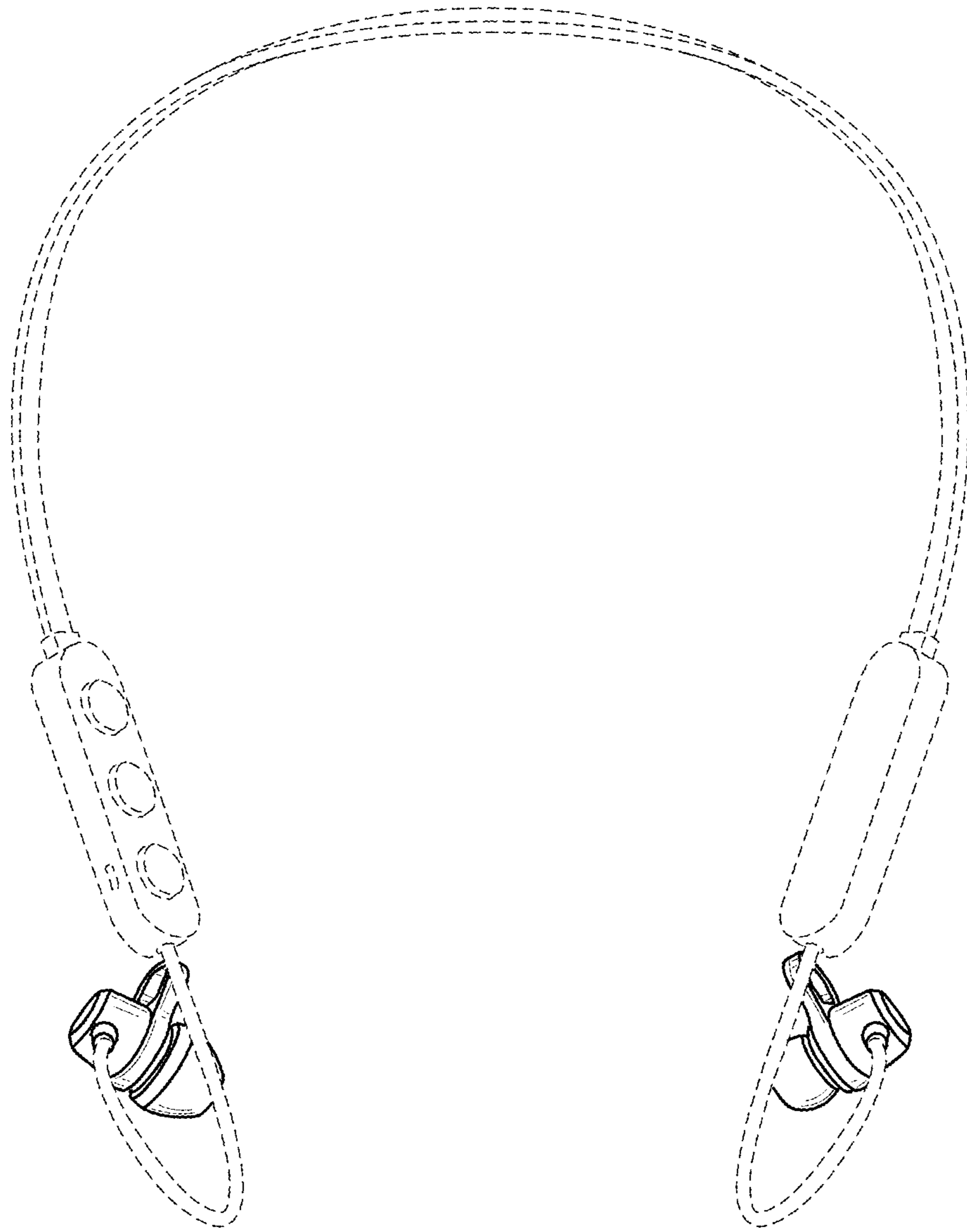


FIG. 8

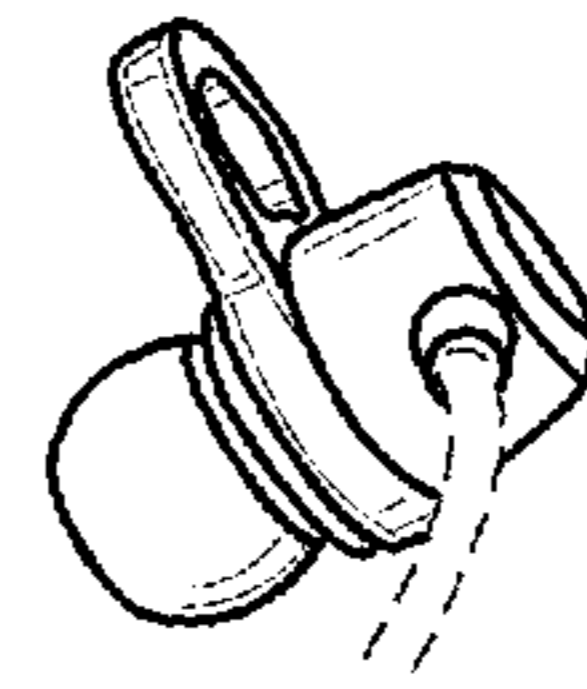
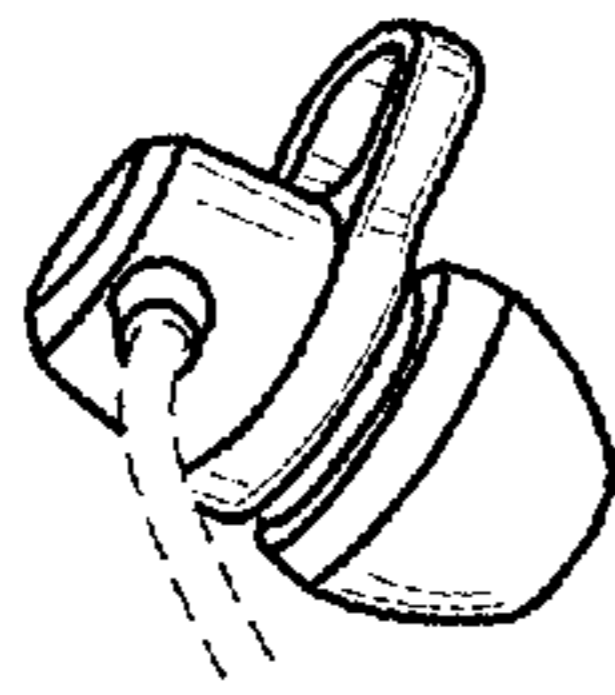


FIG. 9