



US00D907594S

(12) **United States Design Patent**  
**Chen**

(10) **Patent No.:** **US D907,594 S**

(45) **Date of Patent:** **\*\* Jan. 12, 2021**

- (54) **ELECTROLYZER**
- (71) Applicant: **Ningbo C.F Electronic Tech Co., Ltd,**  
Ningbo (CN)
- (72) Inventor: **Zefeng Chen,** Ningbo (CN)
- (\*\*) Term: **15 Years**
- (21) Appl. No.: **29/693,911**
- (22) Filed: **Jun. 6, 2019**
- (51) **LOC (13) Cl.** ..... **13-03**
- (52) **U.S. Cl.**  
USPC ..... **D13/184; D13/160**
- (58) **Field of Classification Search**  
USPC ..... 218/136, 134, 154; D13/120, 151, 158,  
D13/160, 161, 177, 184, 199  
CPC ..... H01H 33/6606; H01H 33/66  
See application file for complete search history.

- 6,888,086 B2 \* 5/2005 Daharsh ..... H01C 7/12  
218/134
- 7,148,441 B2 \* 12/2006 Daharsh ..... H01C 7/12  
218/136
- D558,149 S \* 12/2007 Ruemenapp ..... D13/160
- 7,501,598 B2 \* 3/2009 Stepniak ..... H01H 9/16  
218/120
- 7,579,572 B2 \* 8/2009 Stepniak ..... H01H 33/02  
218/146
- D651,181 S \* 12/2011 Schreiber ..... D13/158
- 8,110,770 B2 \* 2/2012 Ichikawa ..... H01H 33/666  
218/134
- D658,133 S \* 4/2012 Shang ..... D13/158
- D658,589 S \* 5/2012 Shang ..... D13/158
- D660,253 S \* 5/2012 Gentsch ..... D13/158
- 8,440,913 B2 \* 5/2013 Stull ..... H02B 5/00  
174/161 R

(Continued)

*Primary Examiner* — Keli L Hill  
*Assistant Examiner* — Harold E Blackwell, II  
(74) *Attorney, Agent, or Firm* — W&K IP

(56) **References Cited**

**U.S. PATENT DOCUMENTS**

- 3,823,346 A \* 7/1974 Olsen ..... H02B 5/06  
361/612
- 5,717,185 A \* 2/1998 Smith ..... H01H 33/666  
218/154
- 5,808,258 A \* 9/1998 Luzzi ..... H01H 33/66207  
218/136
- 5,864,942 A \* 2/1999 Luzzi ..... H01H 33/66207  
29/622
- 6,134,100 A \* 10/2000 Hageli ..... H02B 13/045  
220/581
- 6,545,241 B1 \* 4/2003 Franchi ..... H02B 13/035  
218/154
- 6,747,234 B2 \* 6/2004 Traska ..... H01H 33/24  
218/134
- 6,759,616 B2 \* 7/2004 Rokunohe ..... H01H 33/56  
218/2
- 6,794,596 B2 \* 9/2004 Rhein ..... H01H 33/6662  
218/154

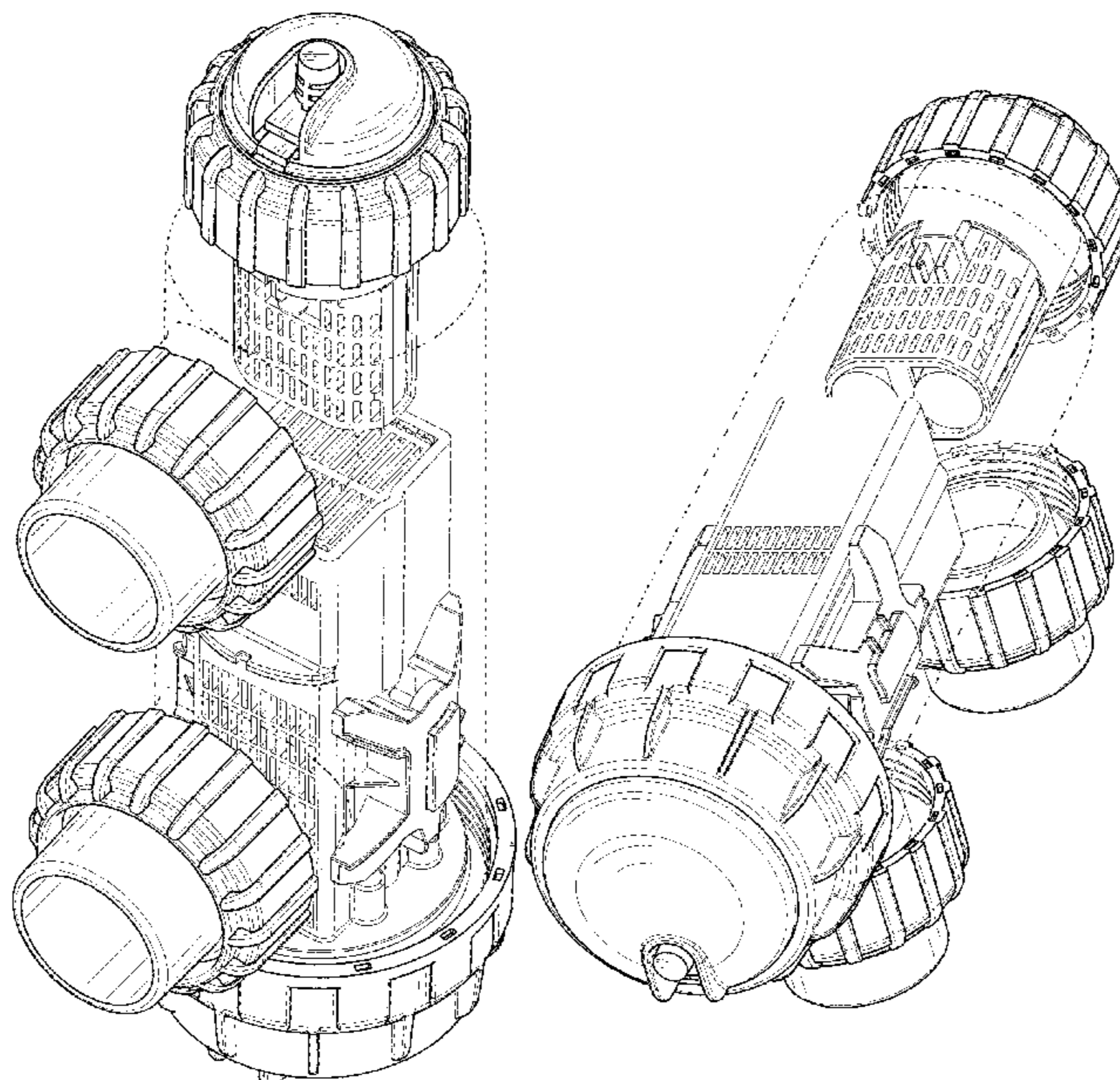
(57) **CLAIM**

The ornamental design for an electrolyzer, as shown and described.

**DESCRIPTION**

FIG. 1 is a front view of an electrolyzer;  
FIG. 2 is a rear view thereof;  
FIG. 3 is a left side view thereof;  
FIG. 4 is a right side view thereof;  
FIG. 5 is a top plan view thereof;  
FIG. 6 is a bottom plan view thereof;  
FIG. 7 is first perspective view thereof;  
FIG. 8 is second perspective view thereof; and,  
FIG. 9 is third perspective view thereof.  
The broken lines are for the purposes of illustrating portions of the electrolyzer and form no part of the claimed design.

**1 Claim, 7 Drawing Sheets**



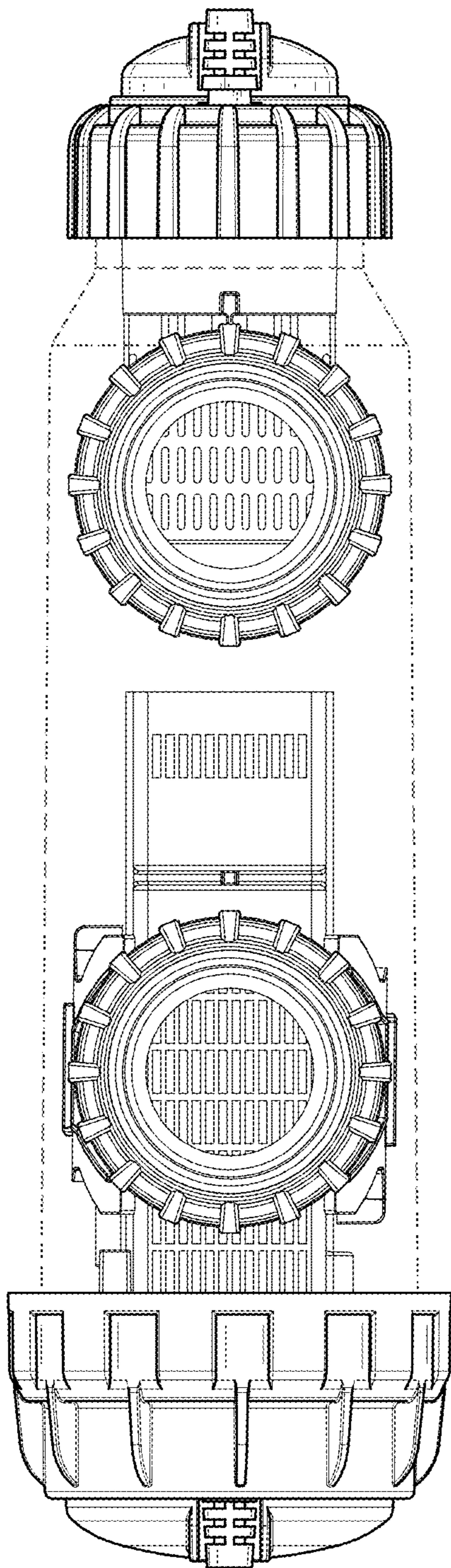
(56)

**References Cited**

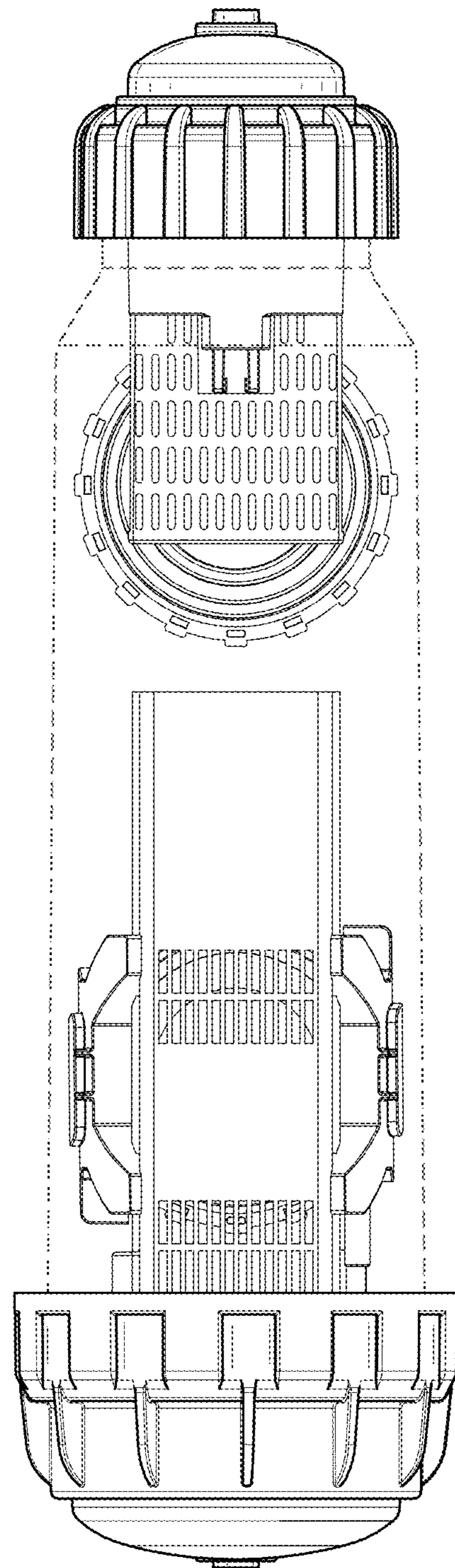
U.S. PATENT DOCUMENTS

8,440,930 B2 \* 5/2013 Lee ..... H01H 3/46  
218/140  
8,658,930 B2 \* 2/2014 Shang ..... H01H 33/66207  
218/119  
D709,462 S \* 7/2014 Arioka ..... D13/160  
D773,403 S \* 12/2016 Shang ..... D13/158  
2009/0200270 A1 \* 8/2009 Chen ..... H01H 33/6606  
218/119  
2016/0141136 A1 \* 5/2016 Ashtekar ..... H01H 71/1009  
200/50.01  
2019/0326748 A1 \* 10/2019 Shinde ..... G01R 31/327

\* cited by examiner



*Fig.1*



*Fig.2*

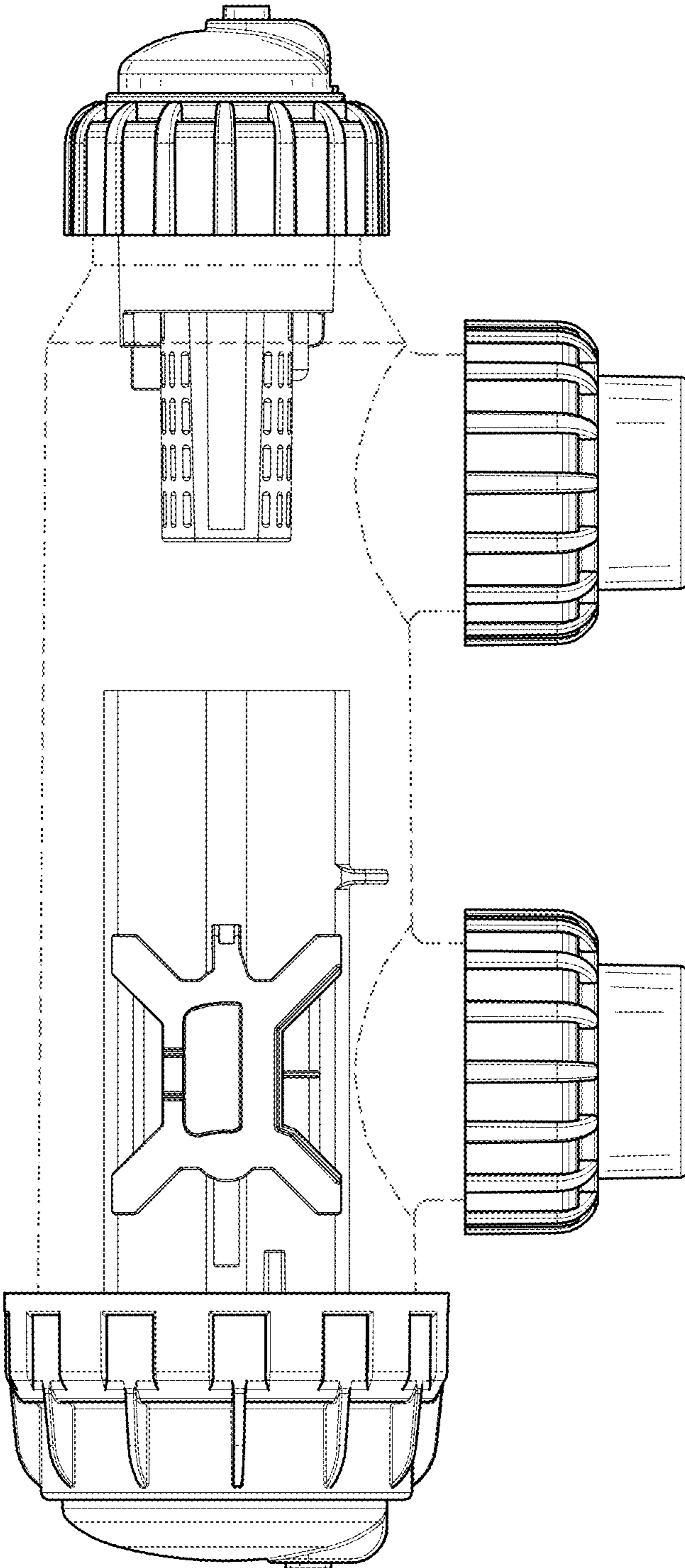
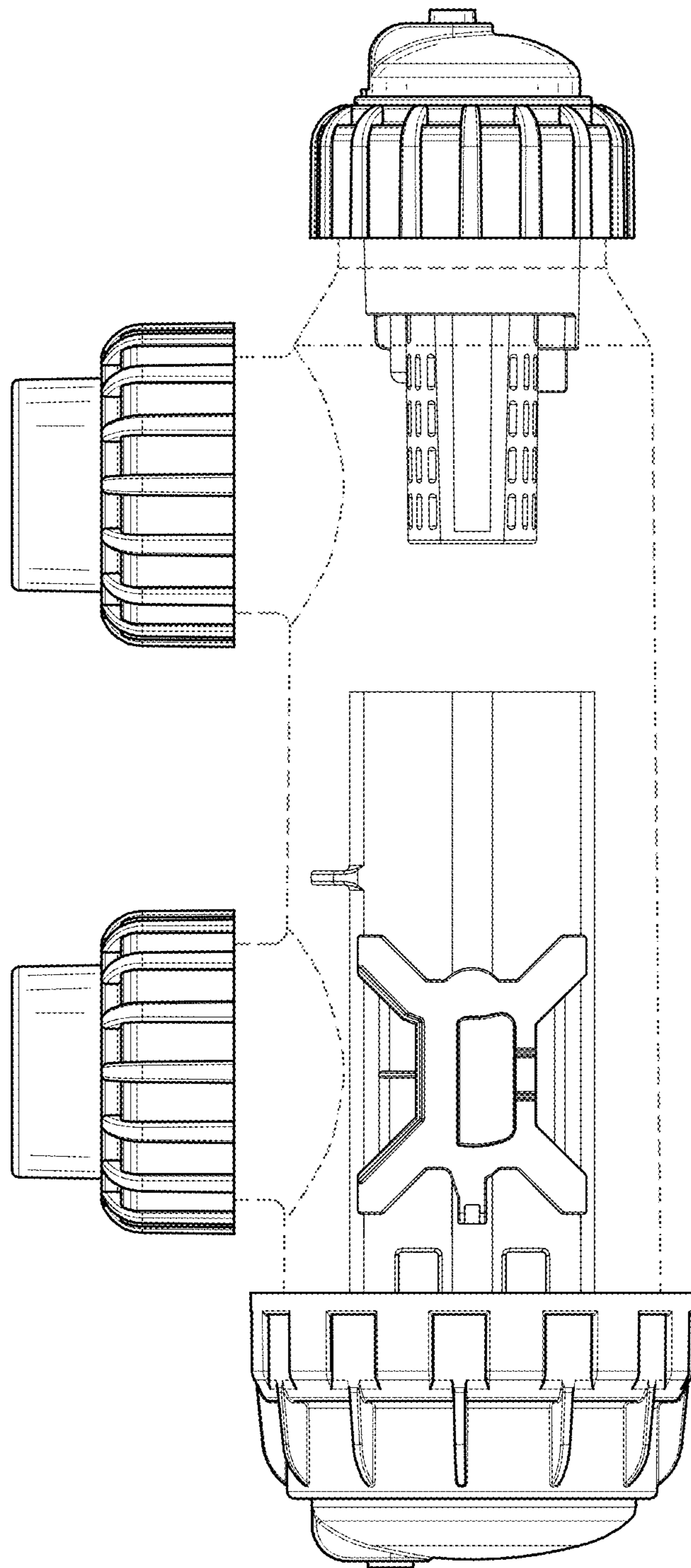
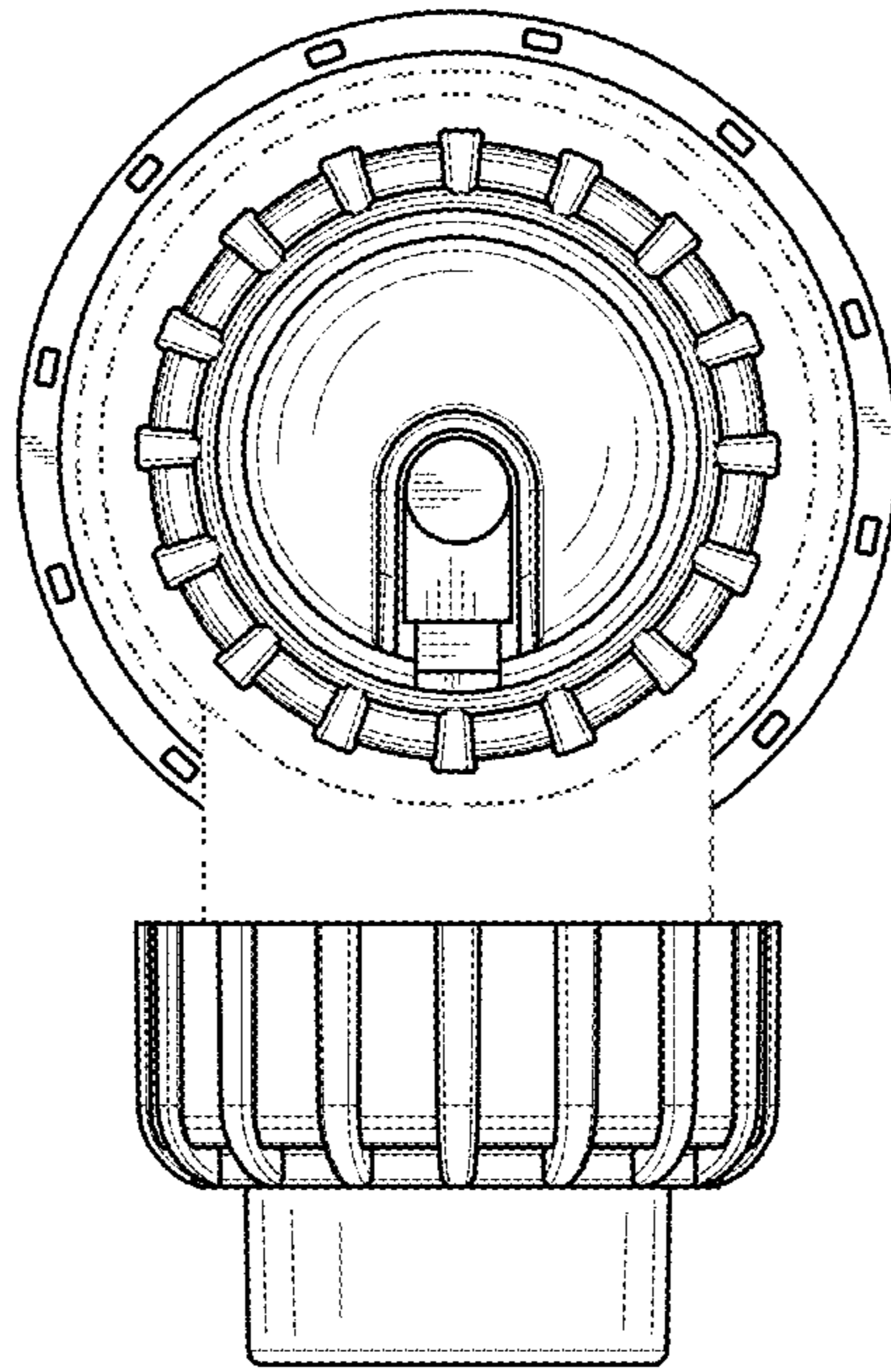


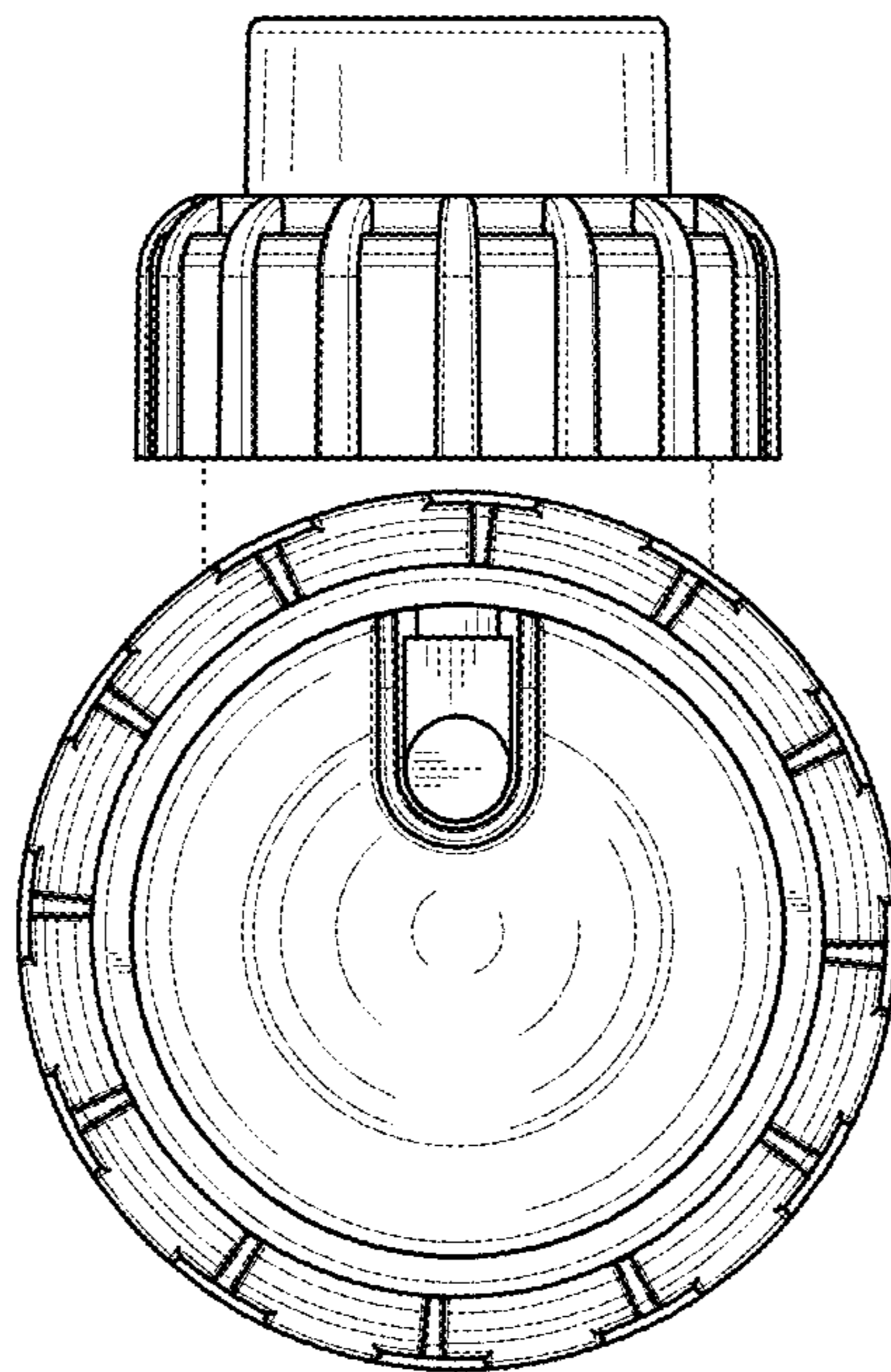
Fig.3



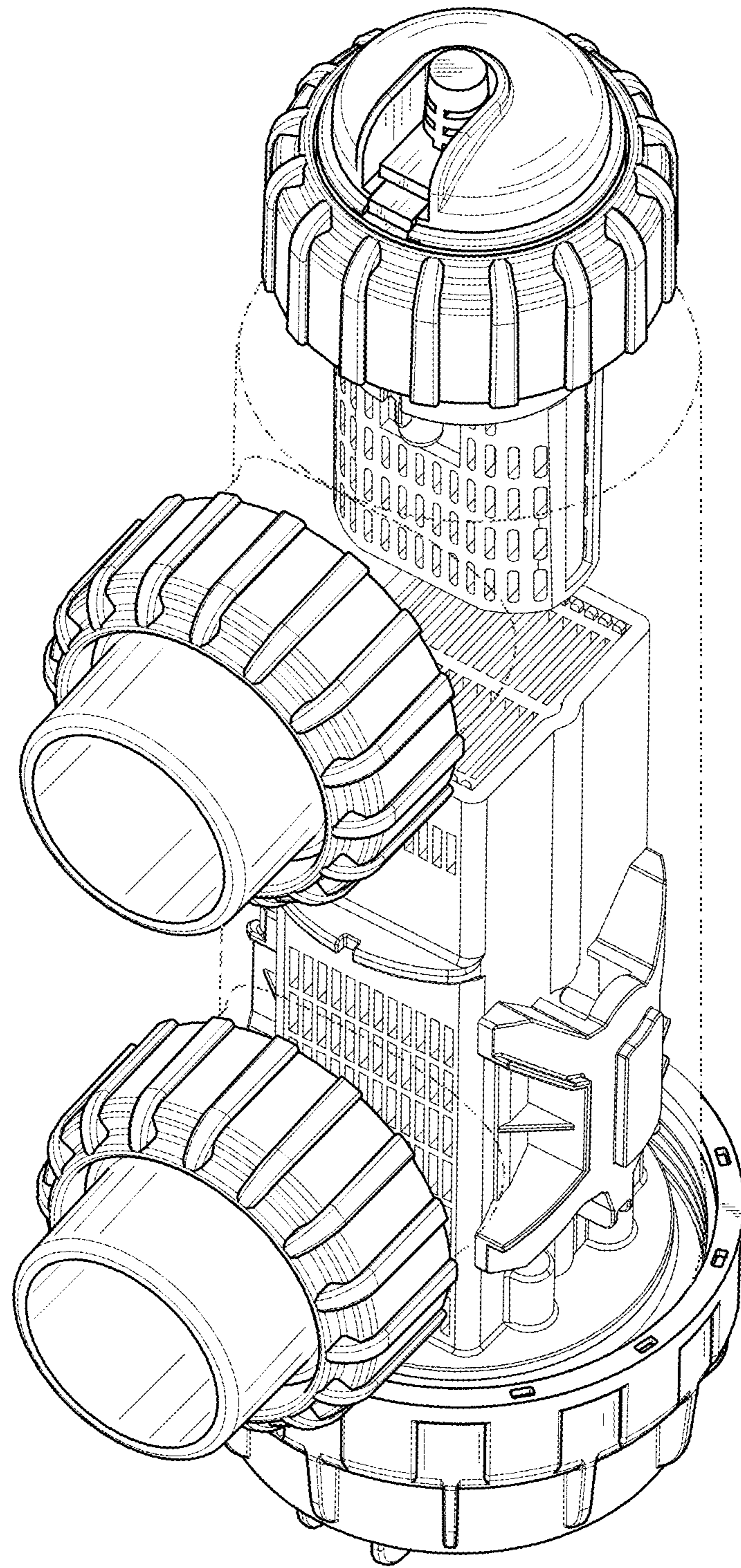
*Fig.4*



*Fig.5*



*Fig.6*



*Fig.7*

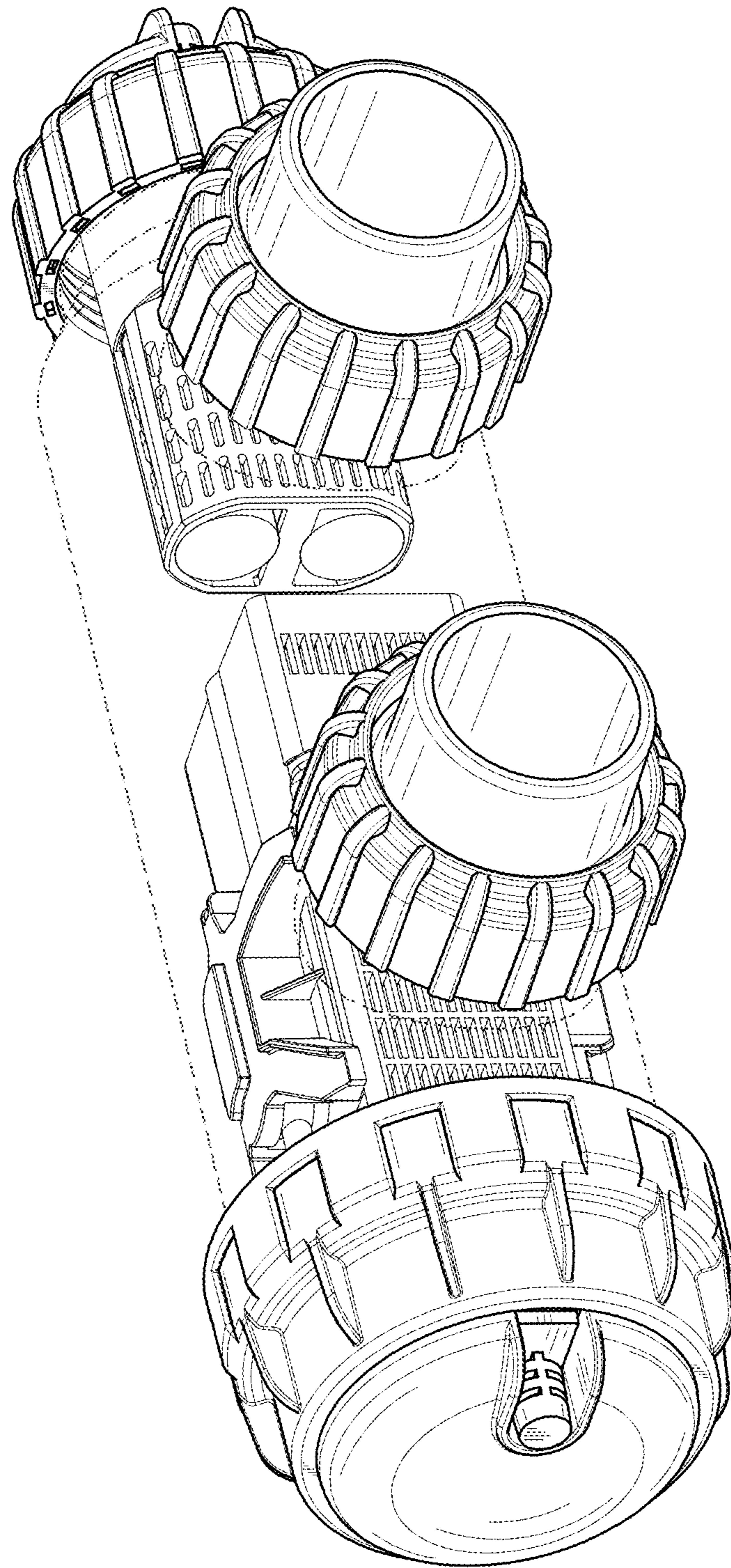


Fig.8



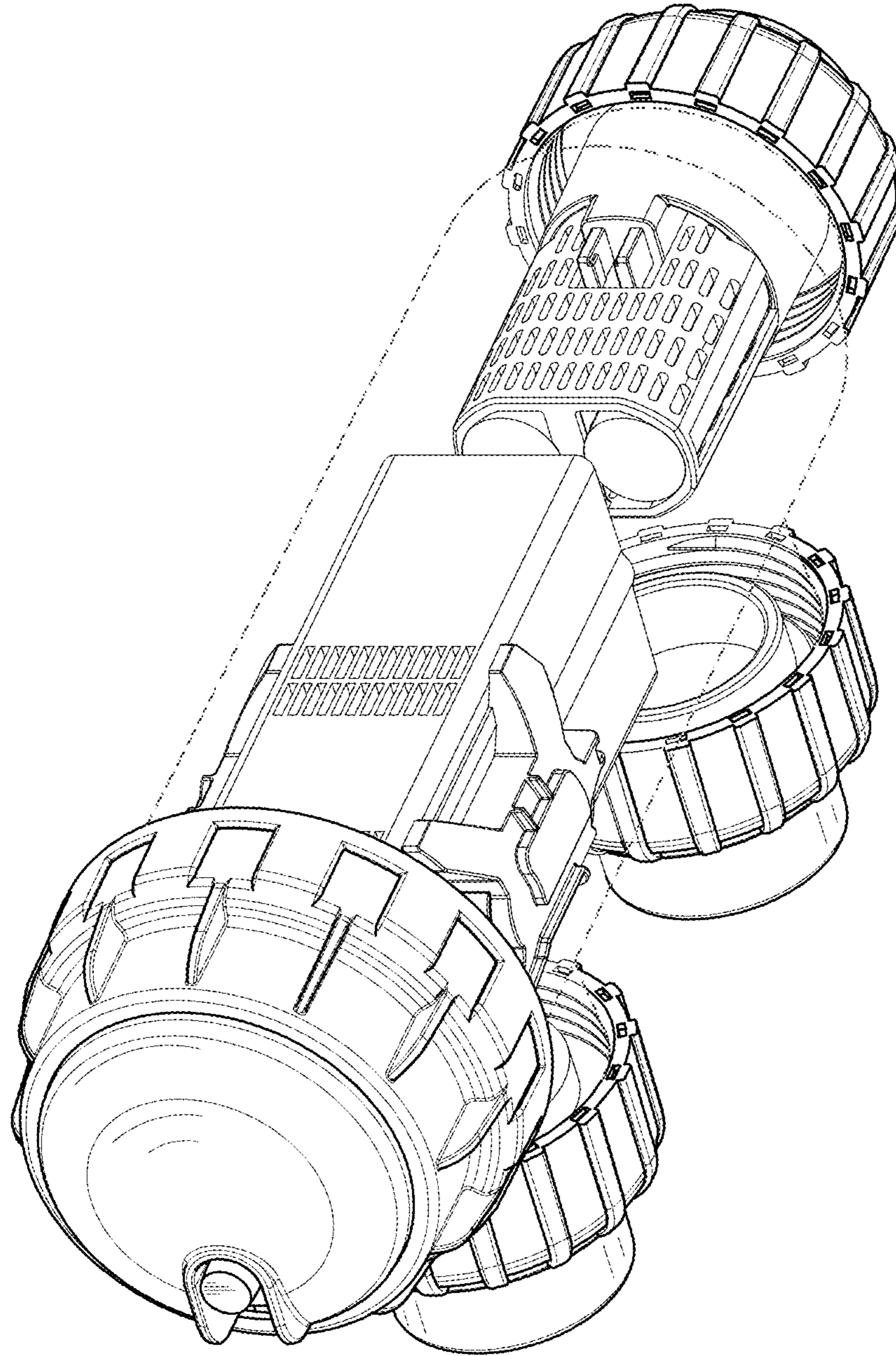


Fig.9