



US00D907592S

(12) **United States Design Patent**
Duong et al.

(10) **Patent No.:** **US D907,592 S**
(45) **Date of Patent:** **** Jan. 12, 2021**

- (54) **HEAT SINK FOR A LUMINAIRE**
- (71) Applicants: **Dung Duong**, Bee Cave, TX (US);
Randall Johnson, Austin, TX (US);
Nicholas Klase, Driftwood, TX (US)
- (72) Inventors: **Dung Duong**, Bee Cave, TX (US);
Randall Johnson, Austin, TX (US);
Nicholas Klase, Driftwood, TX (US)
- (73) Assignee: **Fluence Bioengineering, Inc.**, Austin, TX (US)

6,259,075 B1 * 7/2001 Wu H05B 3/16
219/540
6,472,645 B1 * 10/2002 Bohlender F24H 3/0429
219/505
D510,325 S * 10/2005 Lin D13/179
D571,037 S * 6/2008 Lou D26/138
7,482,557 B2 * 1/2009 Clemens F28F 3/025
219/530
D827,589 S * 9/2018 Bando D13/179
D828,150 S * 9/2018 Robinson D8/394
10,208,940 B2 * 2/2019 Duong H05K 7/20409
2017/0352605 A1 * 12/2017 Bilan H01L 23/3672

- (**) Term: **15 Years**
- (21) Appl. No.: **29/707,364**
- (22) Filed: **Sep. 27, 2019**

Related U.S. Application Data

- (60) Division of application No. 16/239,626, filed on Jan. 4, 2019, which is a continuation of application No. 15/678,880, filed on Aug. 16, 2017, now Pat. No. 10,208,940.
- (51) **LOC (13) Cl.** **13-03**
- (52) **U.S. Cl.**
USPC **D13/179**
- (58) **Field of Classification Search**
USPC D13/179, 182; D26/113, 138, 141;
D8/394, 354
CPC H05K 7/20409; H05K 7/20418; H05K
7/20509; F28F 3/025; F28F 3/00; F28F
3/086
See application file for complete search history.

(56) **References Cited**

U.S. PATENT DOCUMENTS

D405,427 S * 2/1999 Ishii D13/182
D416,872 S * 11/1999 Burke D13/182

OTHER PUBLICATIONS

Growers Warehouse, "Fluence VYPR 2p 631W LED Grow Light 100-277V", First comment posted (Q&A) Sep. 11, 2019. (<https://growershouse.com/fluence-vypr-2p-631w-led-grow-light-100-277v>) (Year: 2019).*

(Continued)

Primary Examiner — April Rivas

(74) *Attorney, Agent, or Firm* — Edward S. Podszus

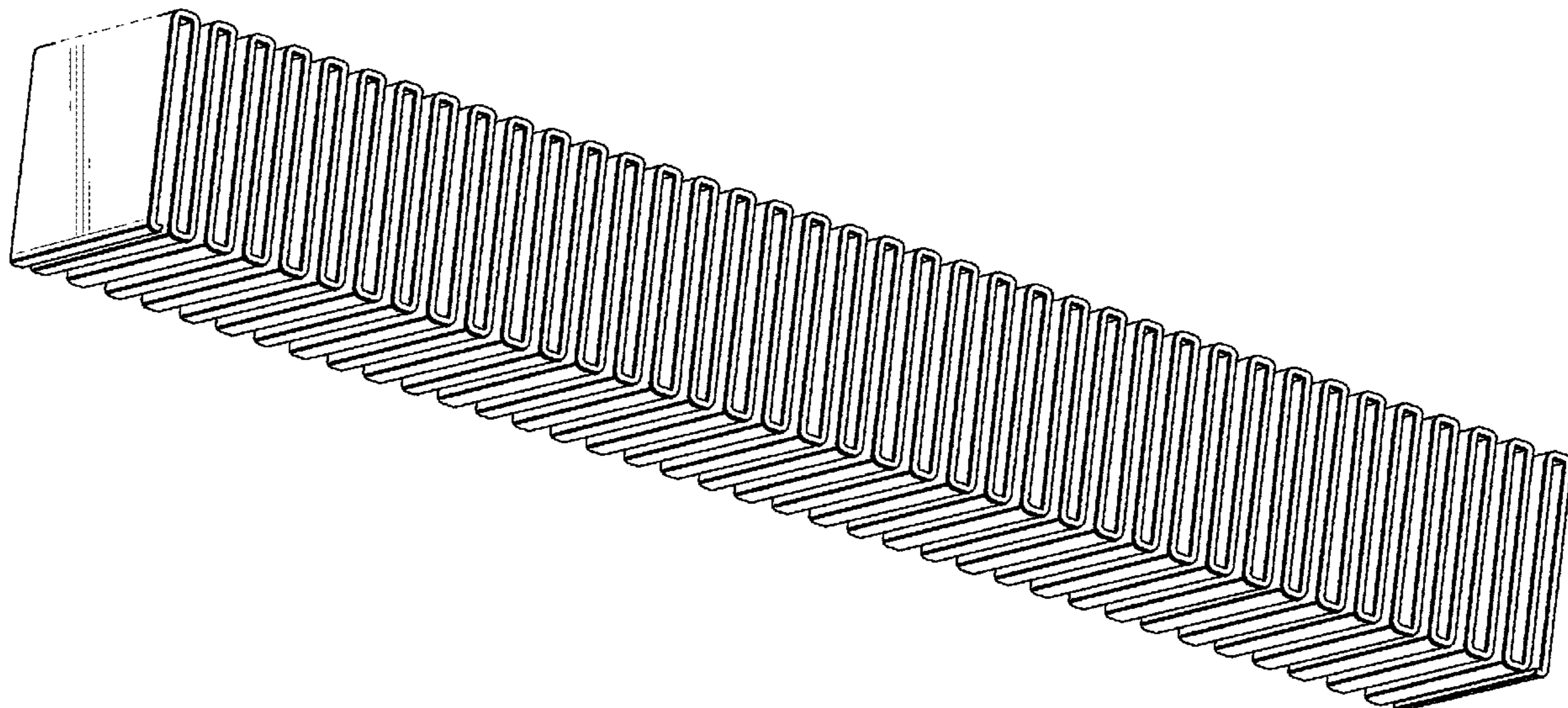
(57) **CLAIM**

The ornamental design for a heat sink for a luminaire, as shown and described.

DESCRIPTION

FIG. 1 is a perspective view of the new design for a heat sink for luminaire as seen from the bottom, right side;
FIG. 2 is a right side elevational view thereof;
FIG. 3 is a left side elevational view thereof;
FIG. 4 is a front elevational view thereof;
FIG. 5 is a rear elevational view thereof;
FIG. 6 is a top plan view thereof; and,
FIG. 7 is a bottom plan view thereof.
The broken lines illustrate portions of the heat sink for a luminaire and form no part of the claimed design.

1 Claim, 4 Drawing Sheets



(56)

References Cited

OTHER PUBLICATIONS

Robinson Fin, "Plain Flat Crest Aluminum", First cached on Jul. 18, 2017. (<http://www.robfin.com/plain-folded-fins/plain-flat-crest-aluminum-7/>) (Year: 2017).*

Jaiyi, "Folded fin heat sink", Accessed Aug. 25, 2020. (http://www.zhjy.com/en/product_info.php?cid=206) (Year: 2020).*

* cited by examiner

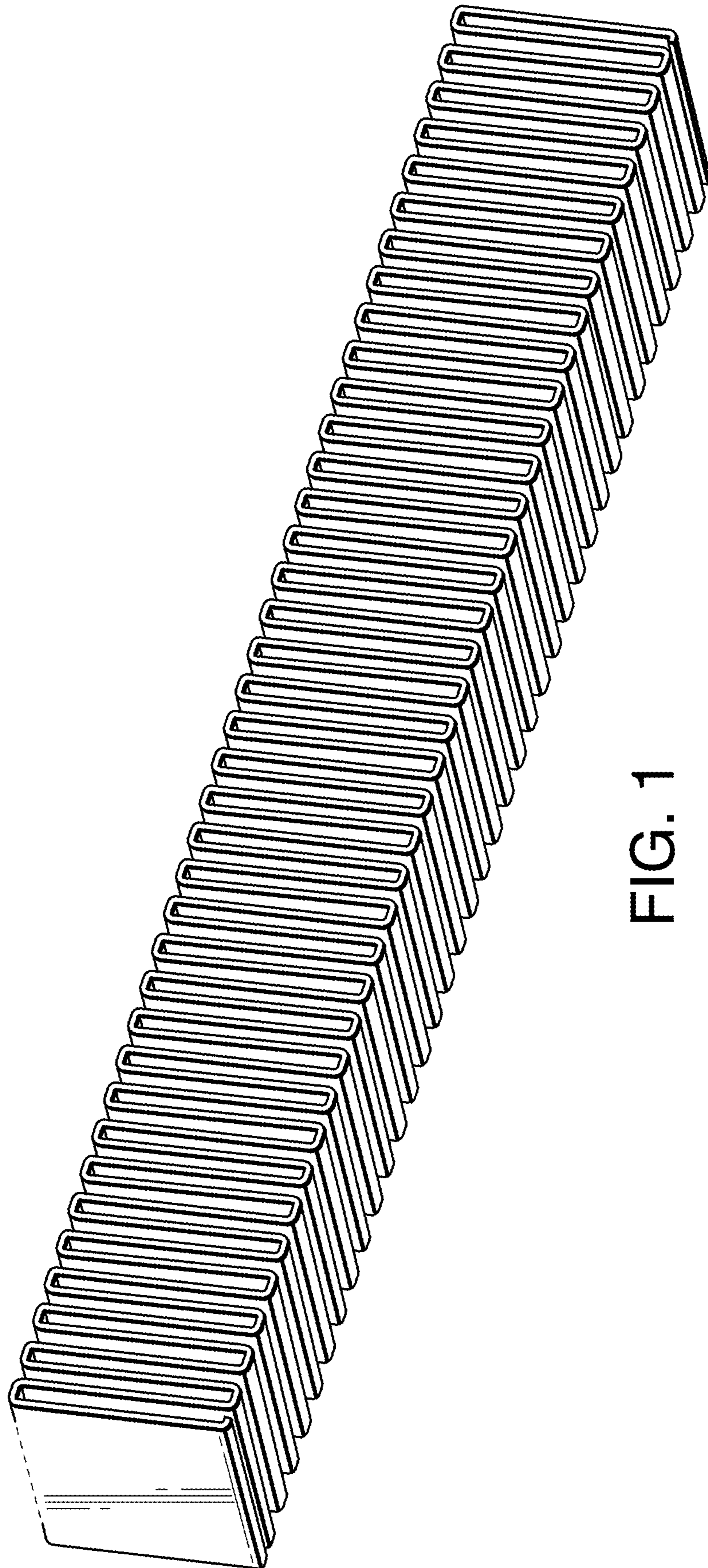


FIG. 1

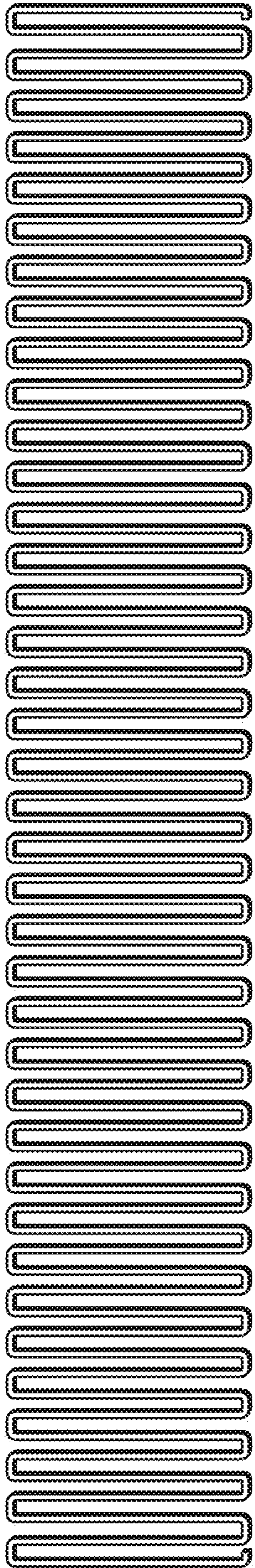


FIG. 2

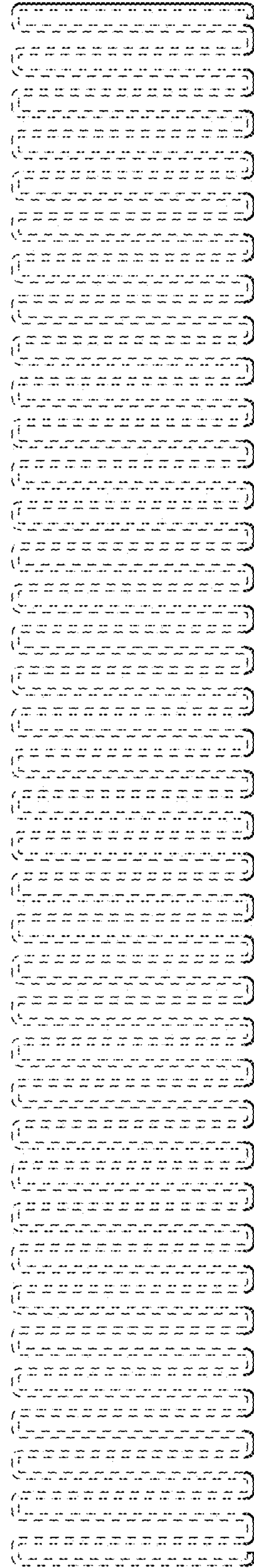


FIG. 3

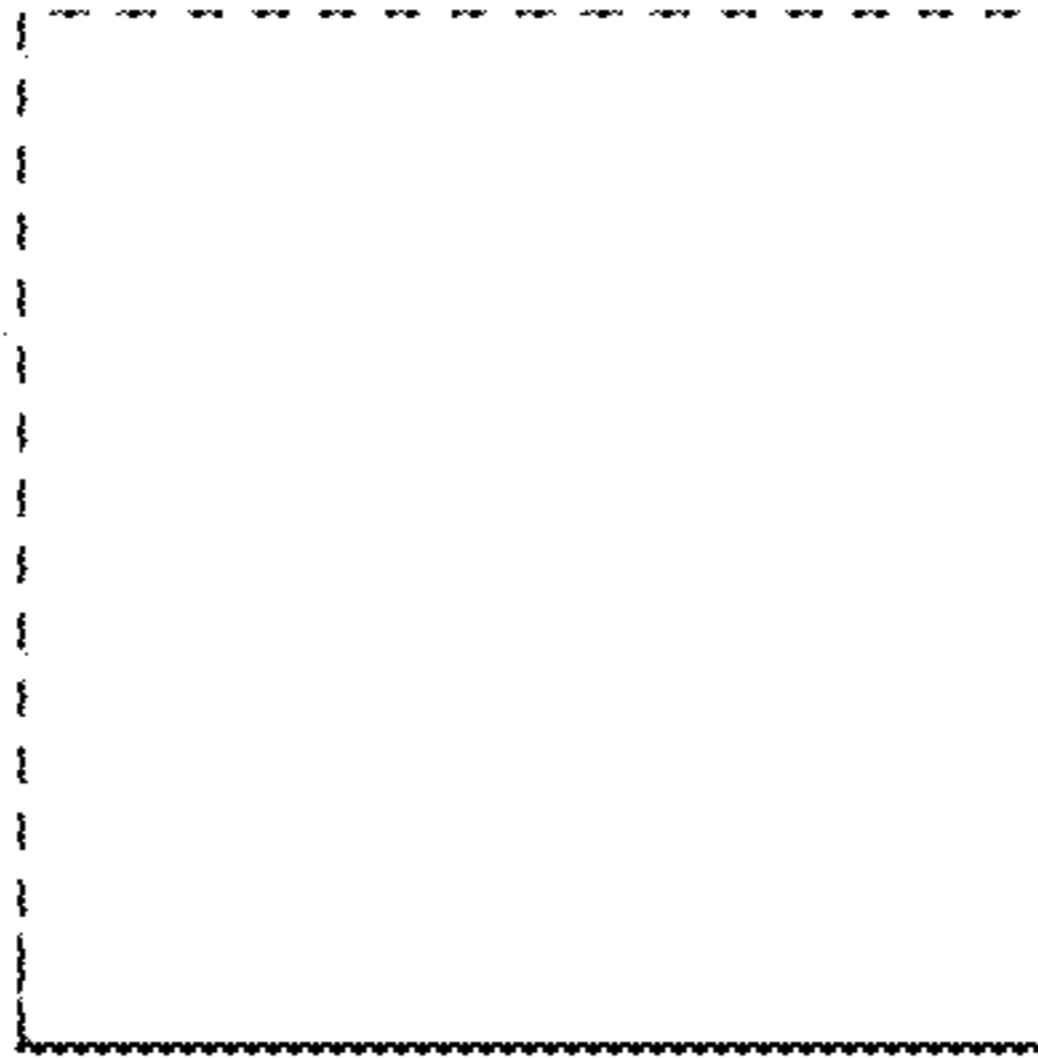


FIG. 5

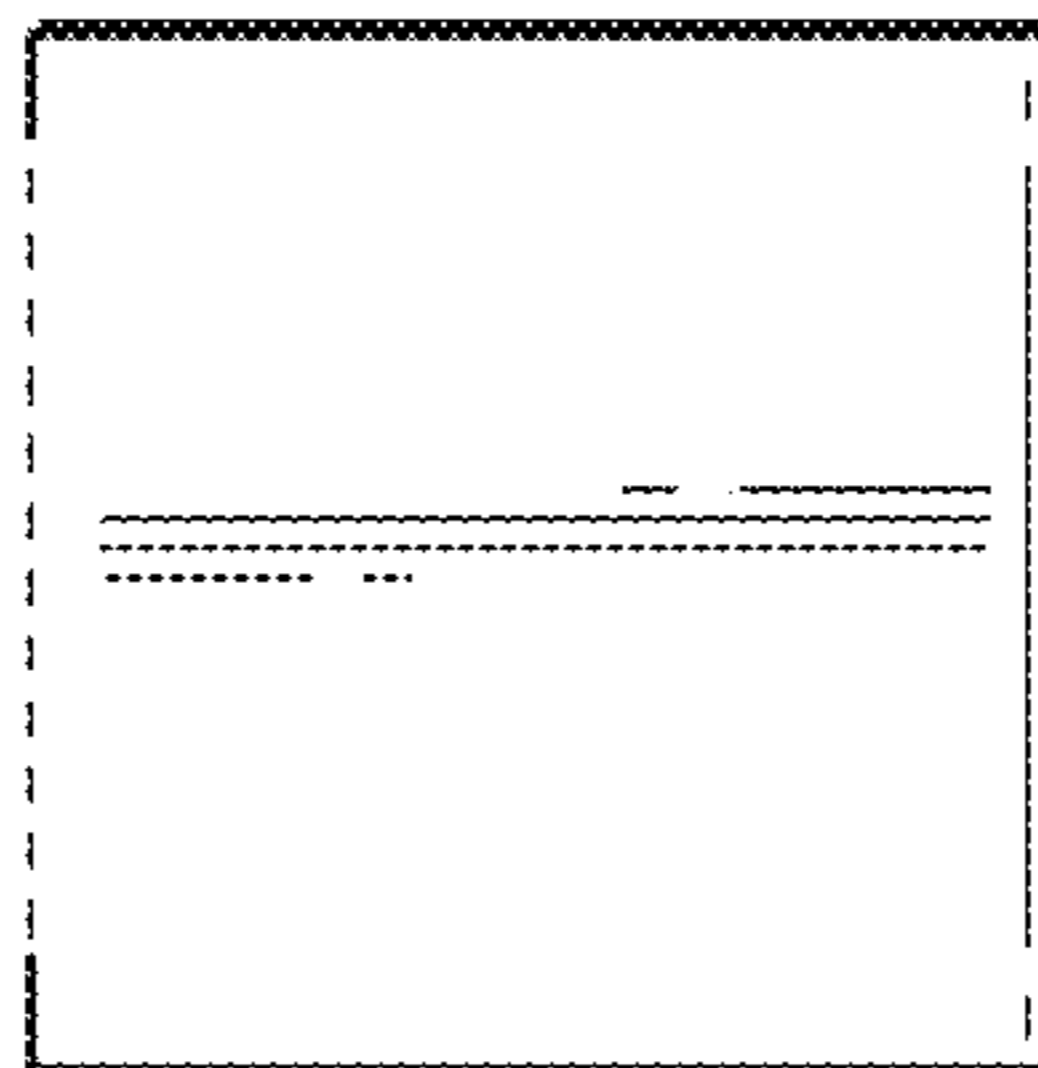


FIG. 4

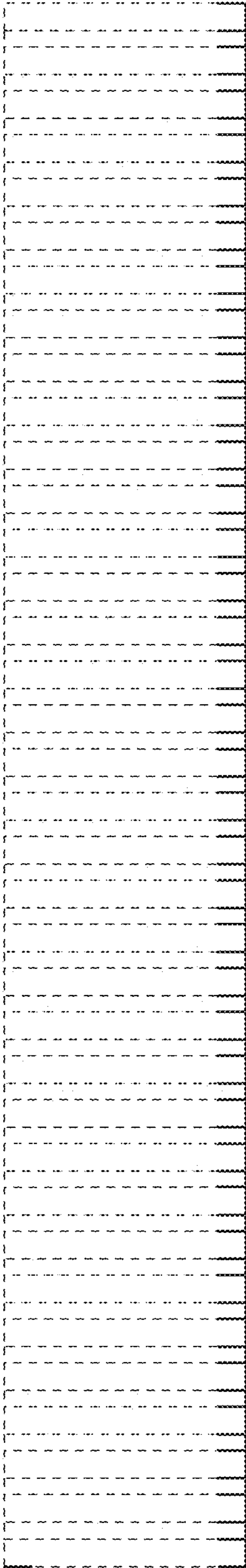


FIG. 6

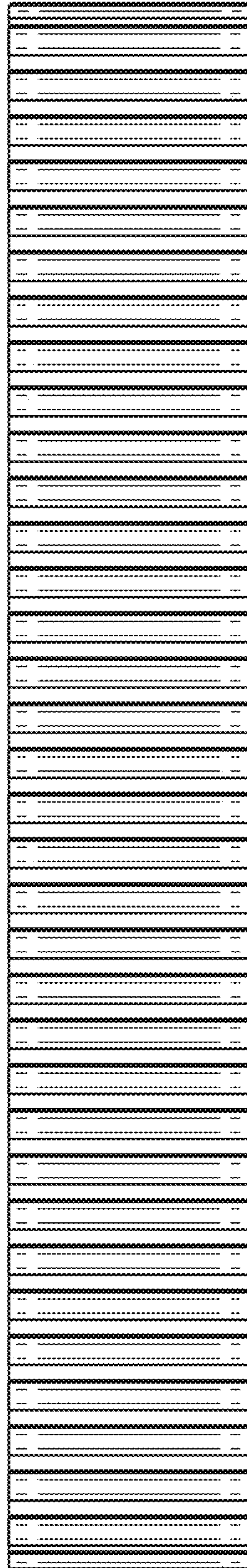


FIG. 7