

US00D907591S

(12) **United States Design Patent**  
**Zeng**

(10) **Patent No.:** **US D907,591 S**

(45) **Date of Patent:** **\*\* Jan. 12, 2021**

(54) **REMOTE CONTROL**

(71) Applicant: **Shenzhen Airmart Technology Co., Ltd**, Guangdong (CN)

(72) Inventor: **Dejun Zeng**, Guangdong (CN)

(73) Assignee: **Shenzhen Airmart Technology Co., Ltd**, Shenzhen (CN)

(\*\*) Term: **15 Years**

(21) Appl. No.: **29/715,644**

(22) Filed: **Dec. 3, 2019**

(30) **Foreign Application Priority Data**

Jun. 3, 2019 (CN) ..... 2019 3 0282413

(51) **LOC (13) Cl.** ..... **14-03**

(52) **U.S. Cl.**  
USPC ..... **D13/168; D14/218**

(58) **Field of Classification Search**  
USPC ..... D13/168; D14/155, 205, 206, 218, 223,  
D14/240; D21/333

CPC .... H01H 9/0235; H01H 9/0225; H04B 1/202;  
G08C 17/02; G08C 19/00; G08C 19/02;  
G08C 19/12; G08C 19/28; G08C 23/04;  
H04M 1/6058

See application file for complete search history.

(56) **References Cited**

**U.S. PATENT DOCUMENTS**

D594,440 S \* 6/2009 Hyncek ..... D14/155  
D707,755 S \* 6/2014 Bonnano ..... D21/333

D767,510 S \* 9/2016 Zheng ..... D13/168  
D799,449 S \* 10/2017 Yoon ..... D14/218  
D799,450 S \* 10/2017 Lee ..... D14/218  
D886,071 S \* 6/2020 Ootsuka ..... D13/168

**OTHER PUBLICATIONS**

Bluetooth Remote Control Audio Volume Controller; Sep. 2017; 2 pgs.\*

\* cited by examiner

*Primary Examiner* — Selina Sikder

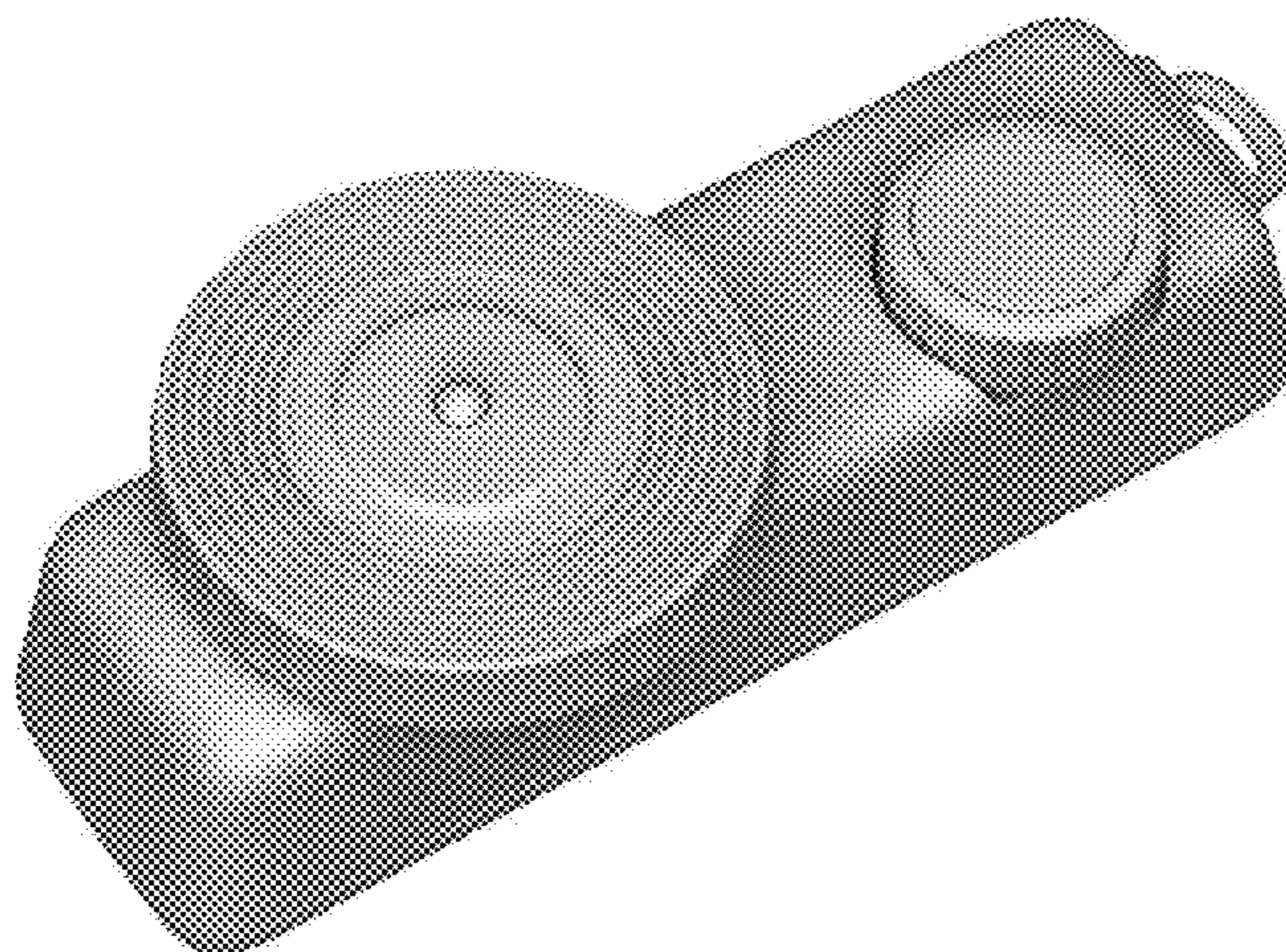
(57) **CLAIM**

The ornamental design for a remote control, as shown and described.

**DESCRIPTION**

FIG. 1 is a front elevational view of a remote control showing my new design;  
FIG. 2 is a rear elevational view thereof;  
FIG. 3 is a left side view thereof;  
FIG. 4 is a right side view thereof;  
FIG. 5 is a top plan view thereof;  
FIG. 6 is a bottom plan view thereof;  
FIG. 7 is a bottom, front and left side perspective view thereof;  
FIG. 8 is a bottom, front and right side perspective view thereof;  
FIG. 9 is a top, rear and right side perspective view thereof;  
and,  
FIG. 10 is a bottom, rear and left side perspective view thereof.

**1 Claim, 9 Drawing Sheets**





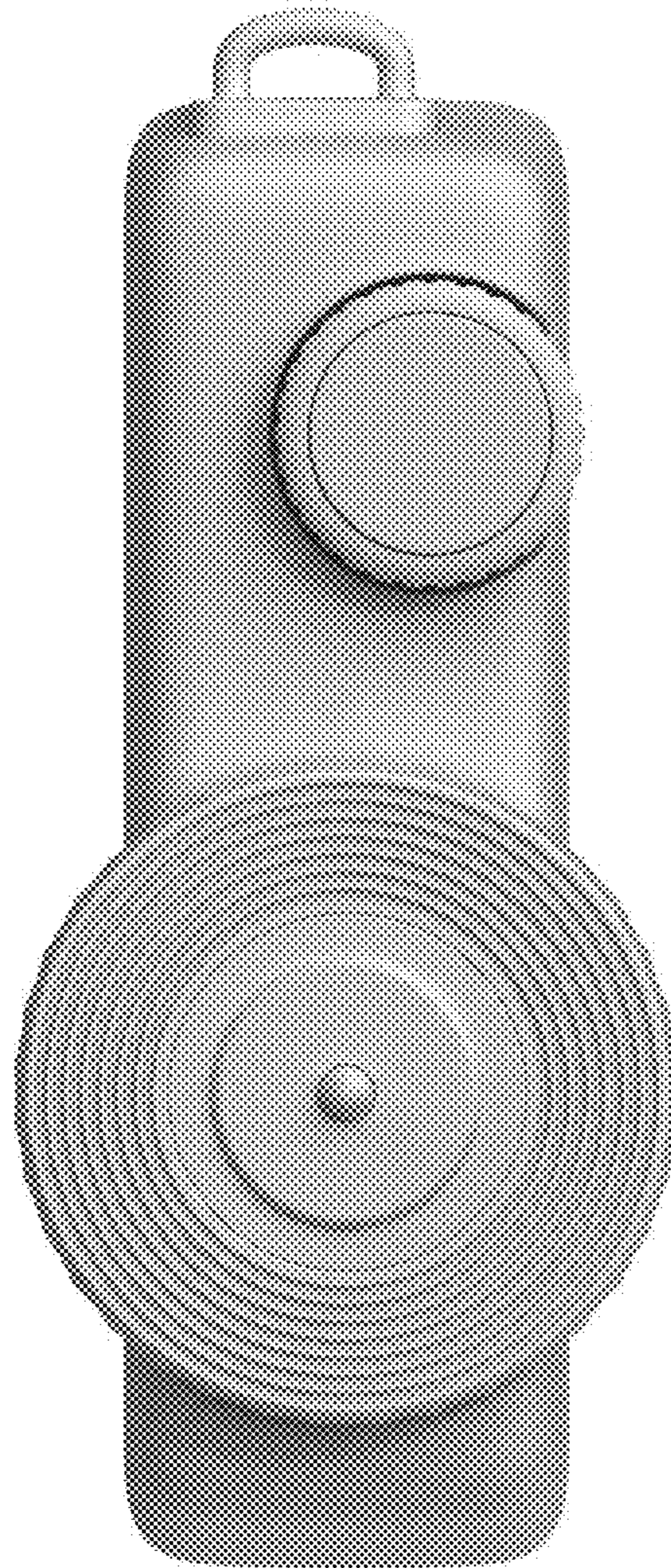


Fig.1

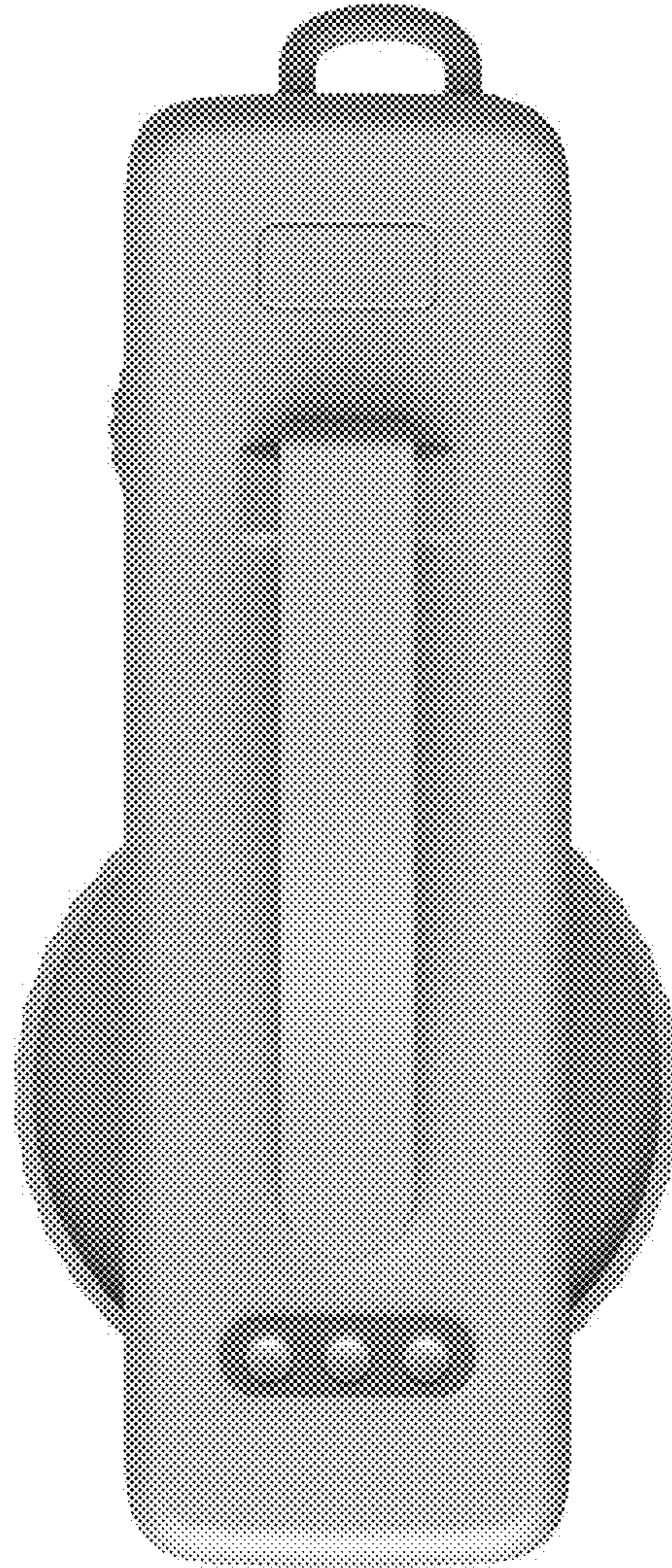


Fig.2



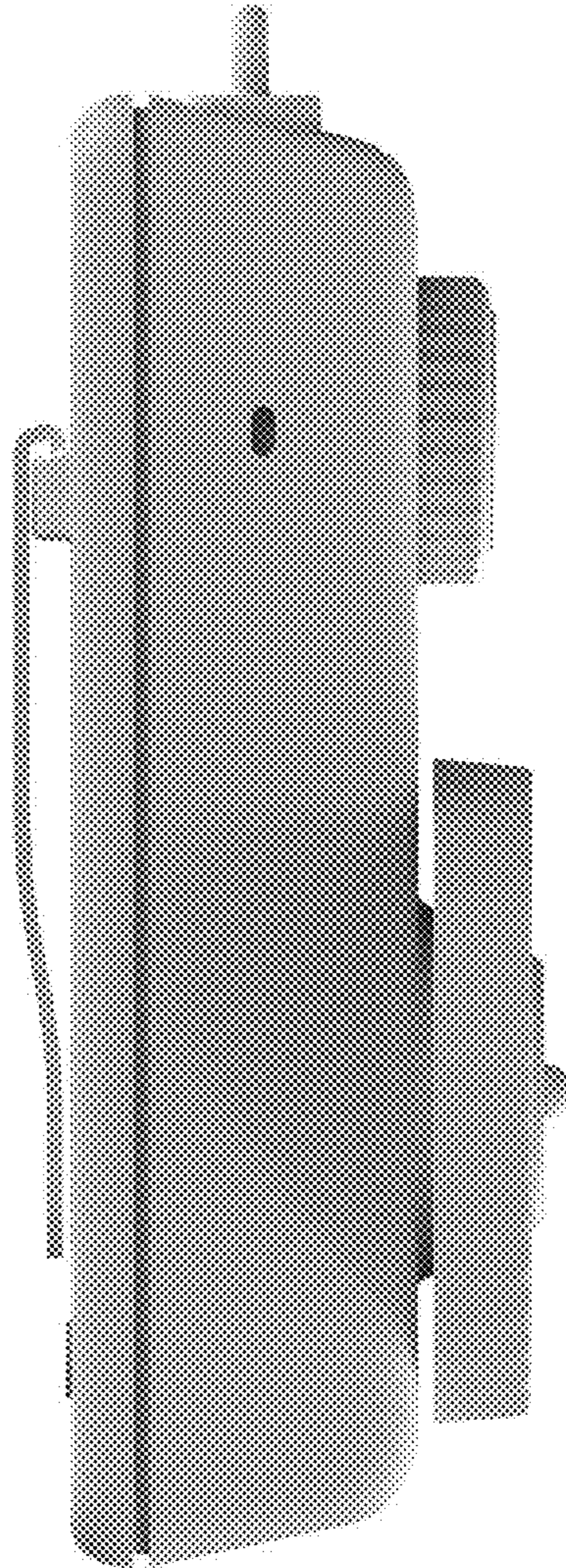


Fig.3

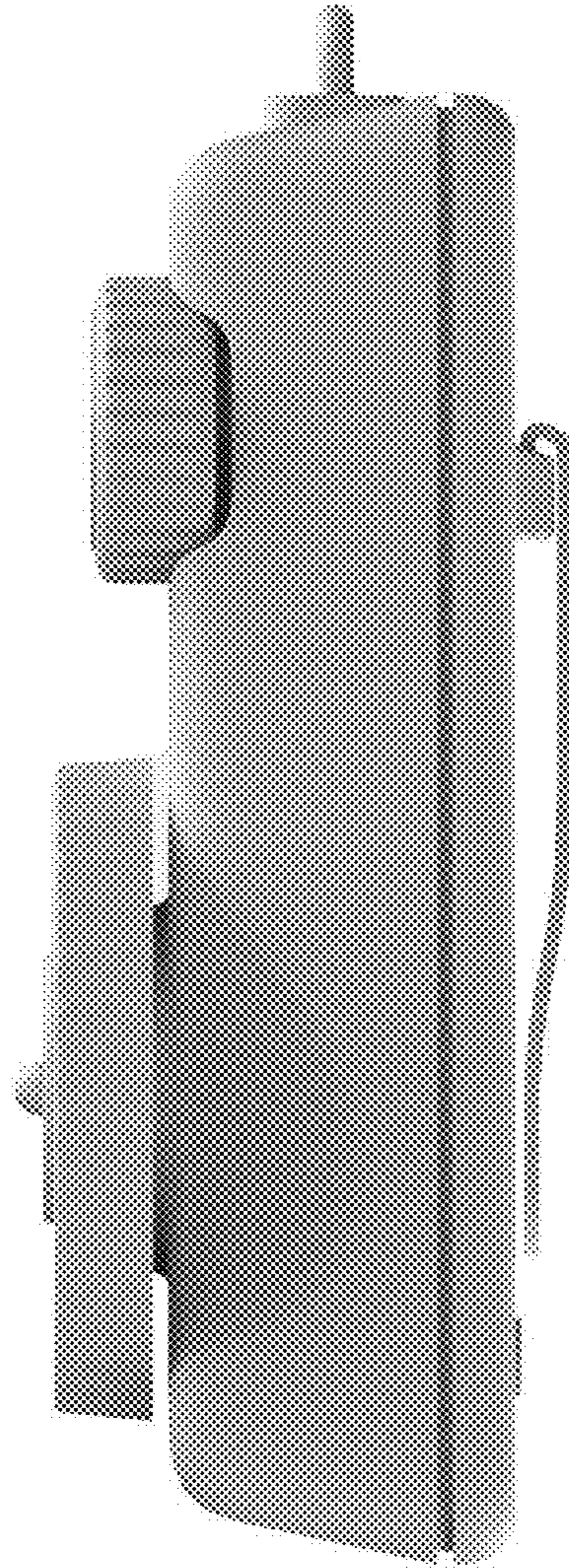


Fig.4

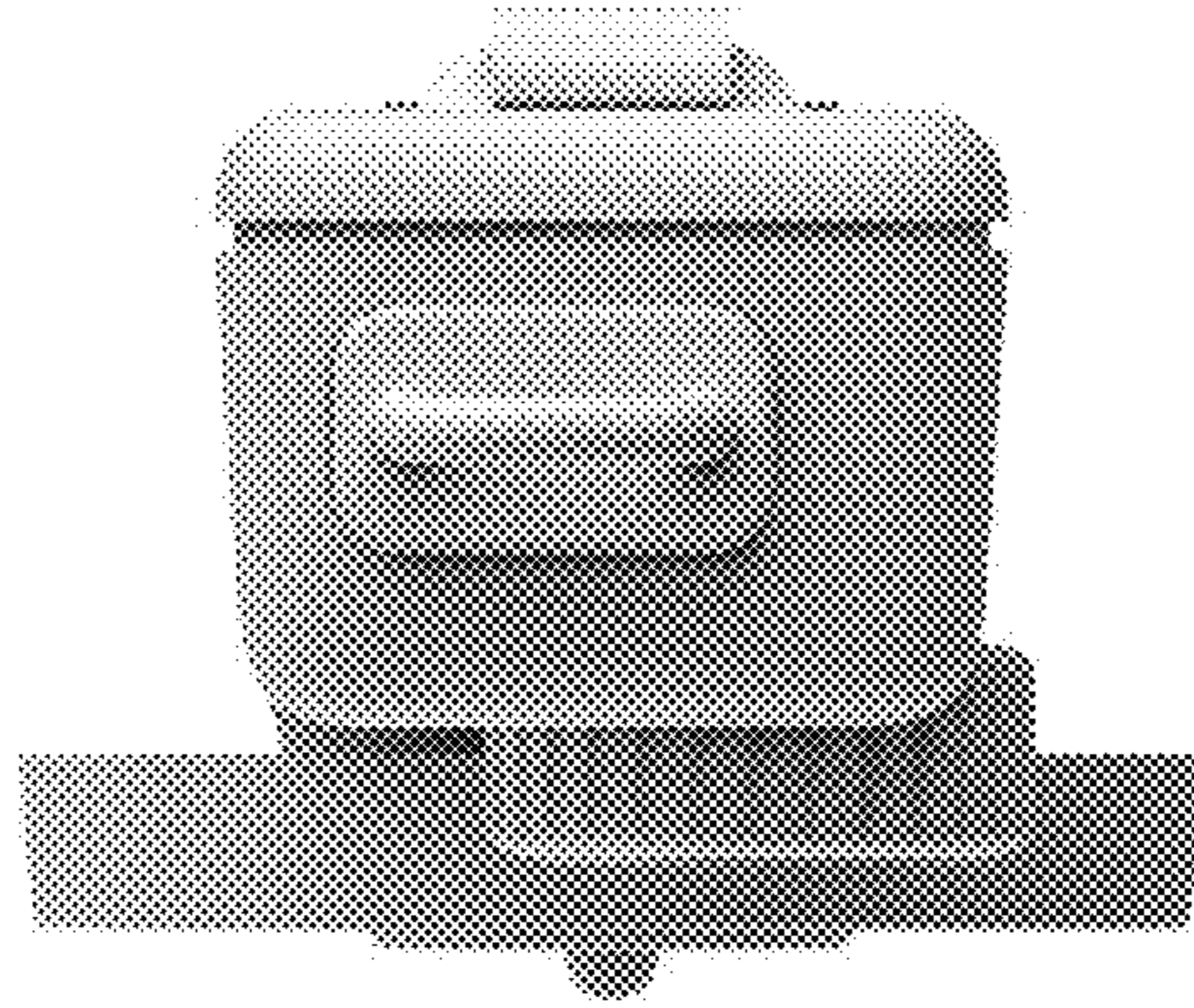


Fig.5

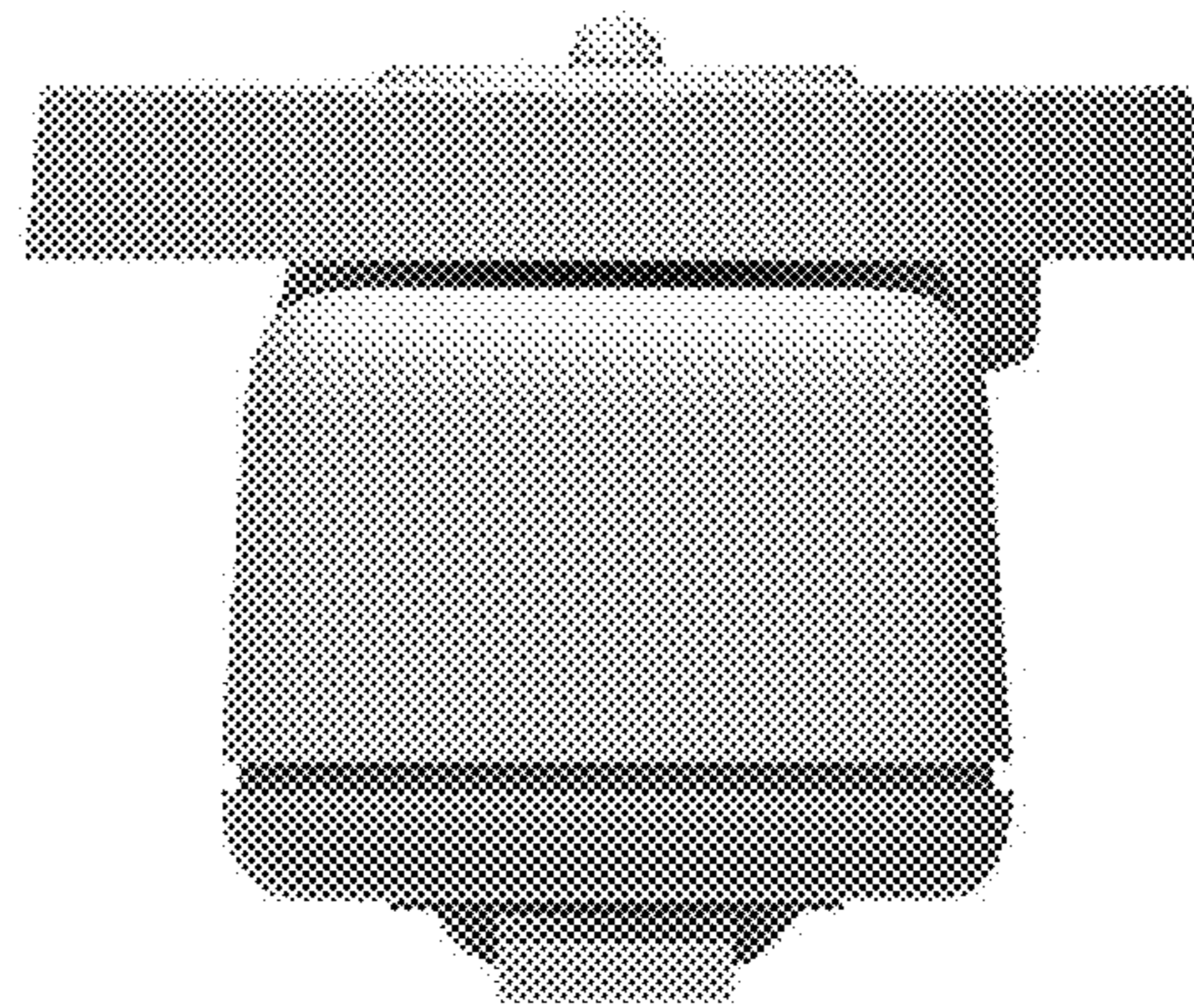


Fig.6





Fig.7

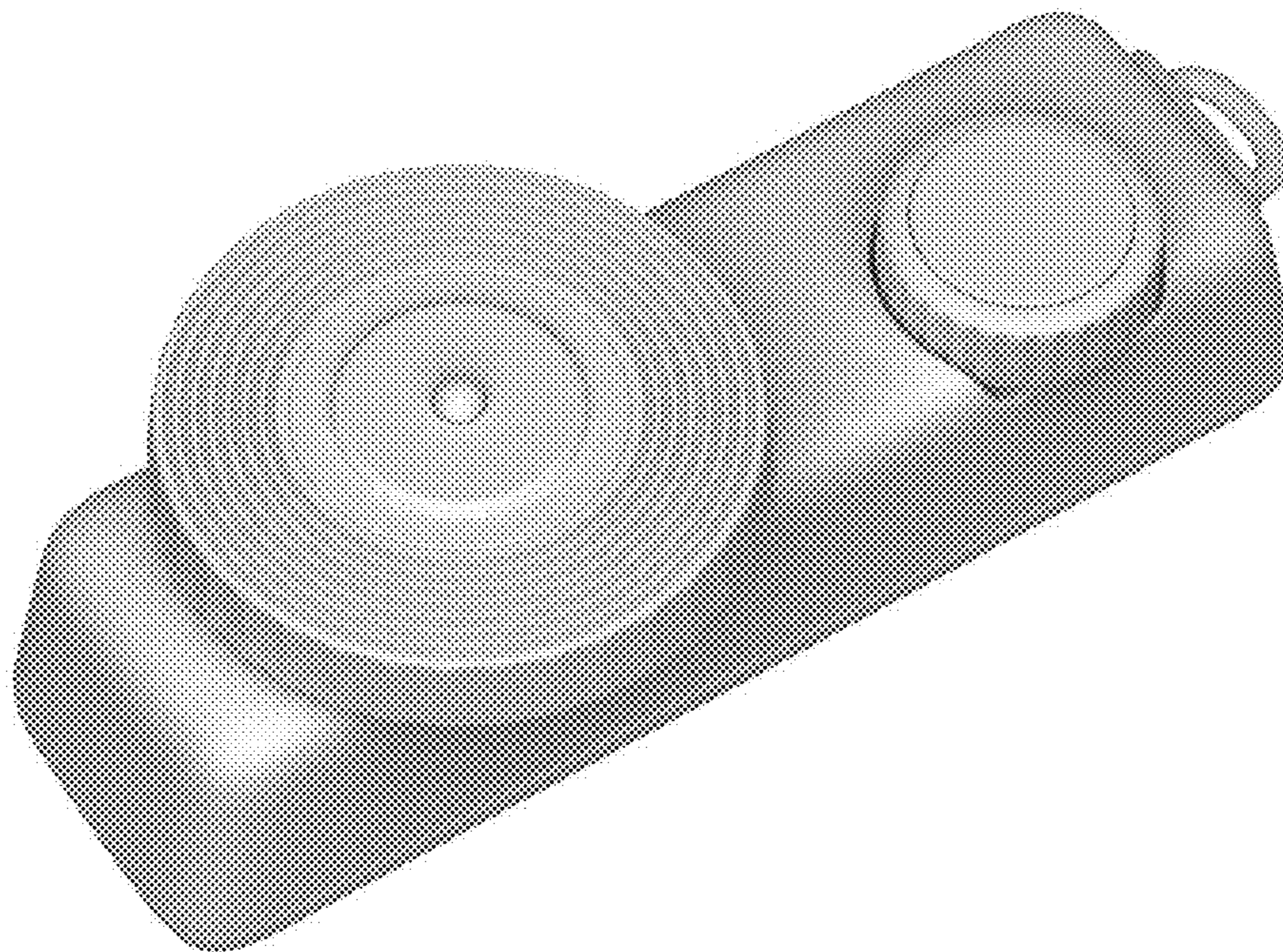


Fig.8



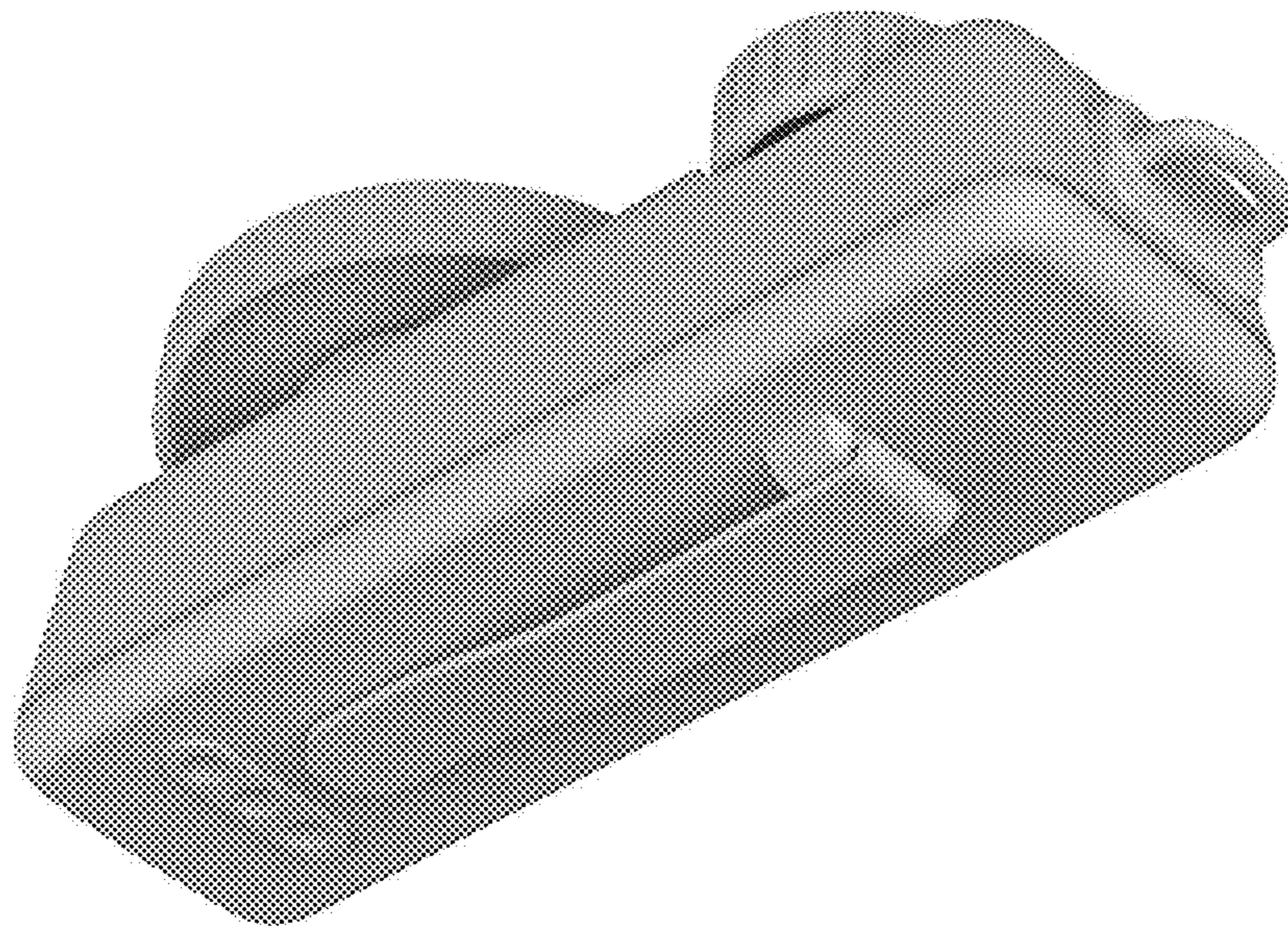


Fig.9

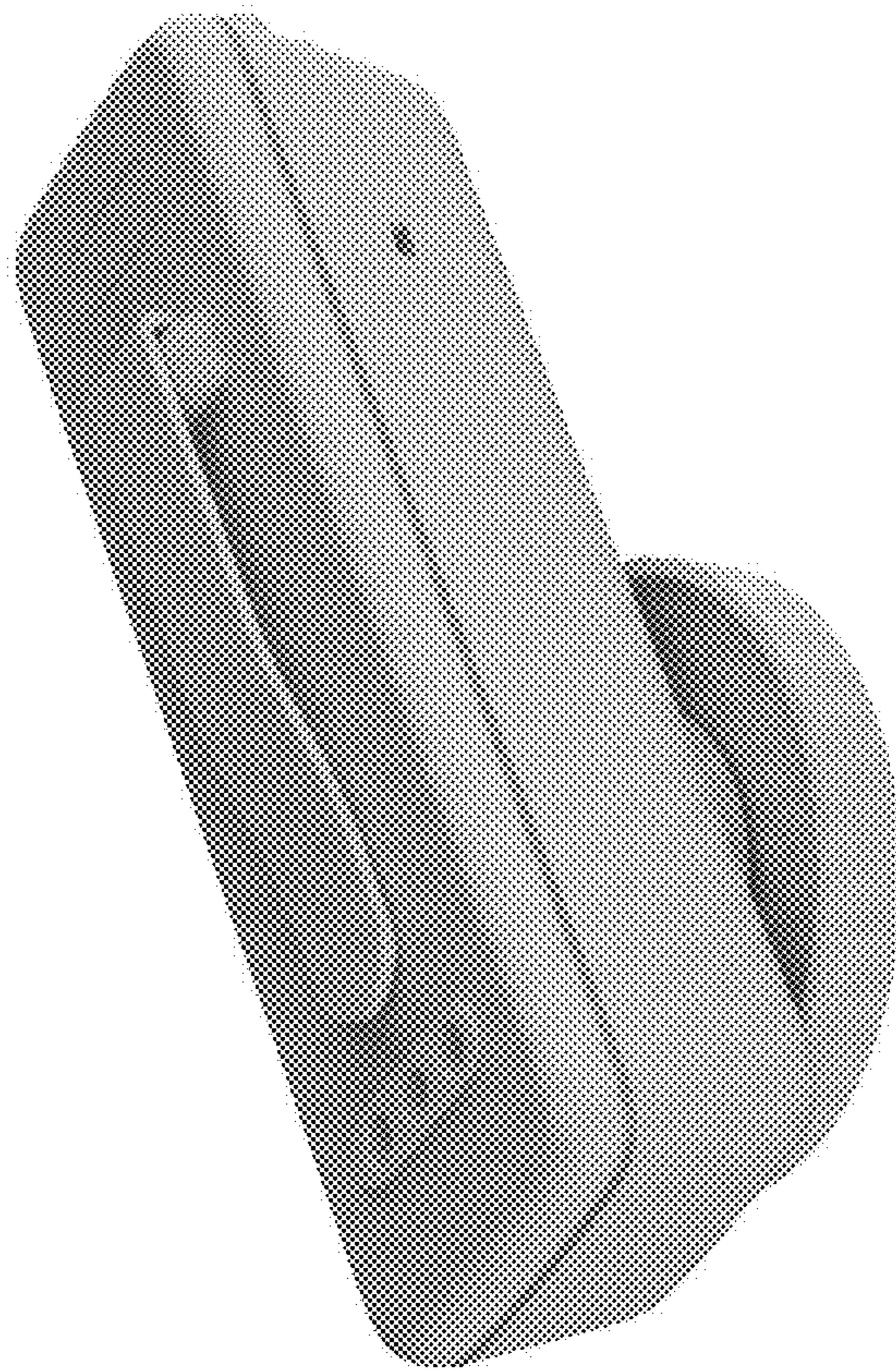


Fig.10