



US00D907584S

(12) **United States Design Patent**  
**Mizutani**

(10) **Patent No.:** **US D907,584 S**  
(45) **Date of Patent:** **\*\* Jan. 12, 2021**

(54) **CONTACT TERMINAL**  
(71) Applicant: **Japan Aviation Electronics Industry, Limited**, Tokyo (JP)  
(72) Inventor: **Ryota Mizutani**, Tokyo (JP)  
(73) Assignee: **JAPAN AVIATION ELECTRONICS INDUSTRY, LIMITED**, Tokyo (JP)

D519,931 S \* 5/2006 Van Haaster ..... D13/153  
D717,736 S \* 11/2014 Kimura ..... D13/154  
9,112,291 B2 \* 8/2015 Kato ..... H01R 13/02  
9,257,769 B2 \* 2/2016 Ito ..... H01R 13/02  
D753,066 S \* 4/2016 Sturgess ..... D13/154  
D884,650 S \* 5/2020 Suzuki ..... D13/147  
2001/0019923 A1 \* 9/2001 Moll ..... H01R 13/187  
439/816

(\*\*) Term: **15 Years**  
(21) Appl. No.: **29/677,861**  
(22) Filed: **Jan. 24, 2019**

(30) **Foreign Application Priority Data**

Aug. 3, 2018 (JP) ..... 2018-017084

(51) **LOC (13) Cl.** ..... **13-02**

(52) **U.S. Cl.**  
USPC ..... **D13/154; D13/120**

(58) **Field of Classification Search**  
USPC ..... D13/101, 118, 119, 120, 121, 133, 146,  
D13/147, 149, 151, 153, 154, 156; D5/1,  
D5/54; D30/120  
CPC ..... H01R 4/00; H01R 3/00; H01R 43/04  
See application file for complete search history.

(56) **References Cited**

**U.S. PATENT DOCUMENTS**

D25,525 S \* 5/1896 Schratwieser ..... D5/1  
3,895,853 A \* 7/1975 Neidecker ..... H01R 13/15  
439/810  
4,128,293 A \* 12/1978 Paoli ..... H01R 13/187  
439/843  
D269,085 S \* 5/1983 McGregor ..... D13/149  
D332,509 S \* 1/1993 Kovatch ..... D30/120  
5,261,840 A \* 11/1993 Benz ..... H01R 4/4881  
439/843

**OTHER PUBLICATIONS**

“Metal Stamped Terminals”. Found online Aug. 27, 2020 at [ultrastamping.com](https://web.archive.org/web/20120401103615/http://www.ultrastamping.com/metal-stamped-stainless-steel-terminals-for-the-insert-molding-automotive-industry-in-illinois.html). Reference dated Apr. 1, 2012. Retrieved from <https://web.archive.org/web/20120401103615/http://www.ultrastamping.com/metal-stamped-stainless-steel-terminals-for-the-insert-molding-automotive-industry-in-illinois.html> (Year: 2012).\*

(Continued)

*Primary Examiner* — Kendra Leslie Hamilton  
*Assistant Examiner* — Amanda Christensen  
(74) *Attorney, Agent, or Firm* — Manabu Kanesaka

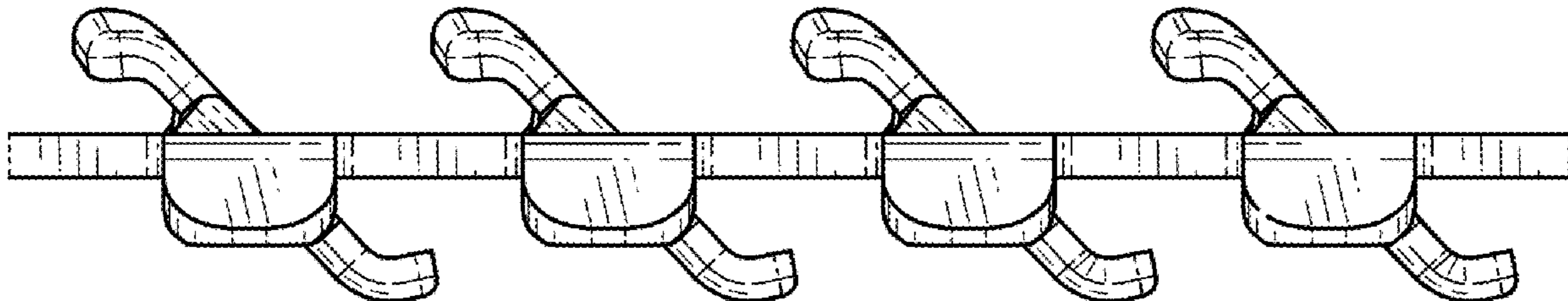
(57) **CLAIM**

The ornamental design for a contact terminal, as shown and described.

**DESCRIPTION**

FIG. 1 is a front elevation view of a contact terminal, showing my new design;  
FIG. 2 is a rear elevation view thereof;  
FIG. 3 is a right side elevation view thereof;  
FIG. 4 is a left side elevation view thereof;  
FIG. 5 is a top plan view thereof;  
FIG. 6 is a bottom plan view thereof;  
FIG. 7 is a top is a perspective view thereof; and,  
FIG. 8 is a bottom is a perspective view thereof.  
The broken lines depict portions of the contact terminal that form no part of the claimed design.

**1 Claim, 6 Drawing Sheets**



(56)

**References Cited**

OTHER PUBLICATIONS

“Progressive Die Design”. Found online Aug. 27, 2020 at techdesign.com. Reference dated 2007. Retrieved from [http://techdesign.com/ec/techw/wp-content/uploads/2016/01/fs\\_mach\\_series\\_progress.pdf](http://techdesign.com/ec/techw/wp-content/uploads/2016/01/fs_mach_series_progress.pdf). (Year: 2007).\*

“Terminal Jumper Strip”. Found online Aug. 27, 2020 at homebrewtalk.com. Reference dated Mar. 20, 2013. Retrieved from <https://www.homebrewtalk.com/threads/help-me-understand-a-terminal-strip-block.399236/> (Year: 2013).\*

\* cited by examiner

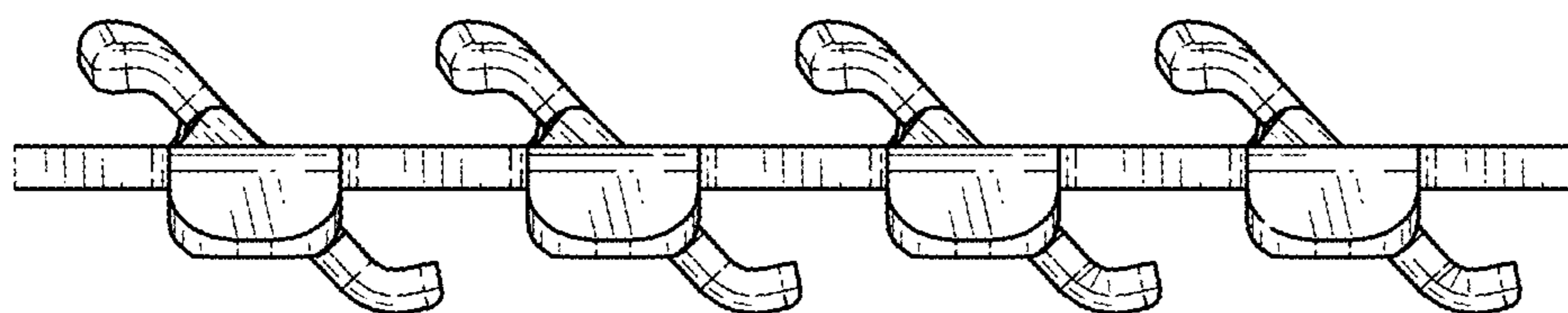


FIG. 1

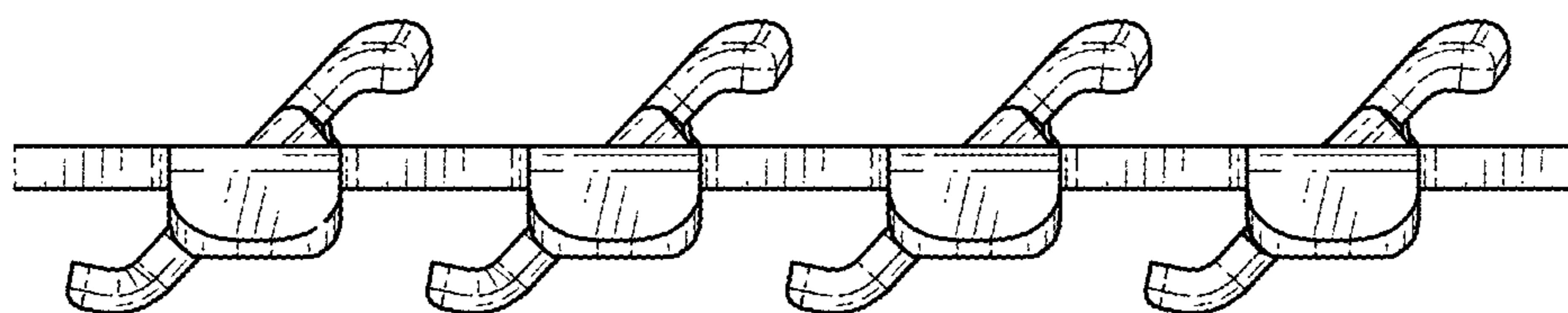


FIG. 2

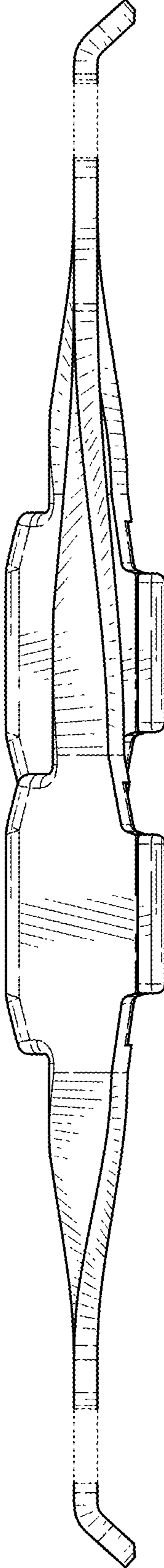


FIG. 3

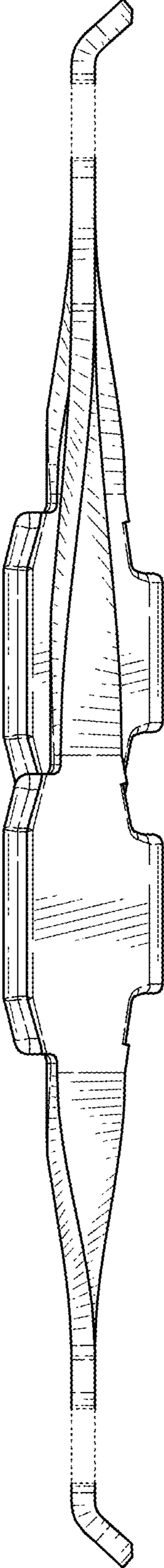


FIG. 4

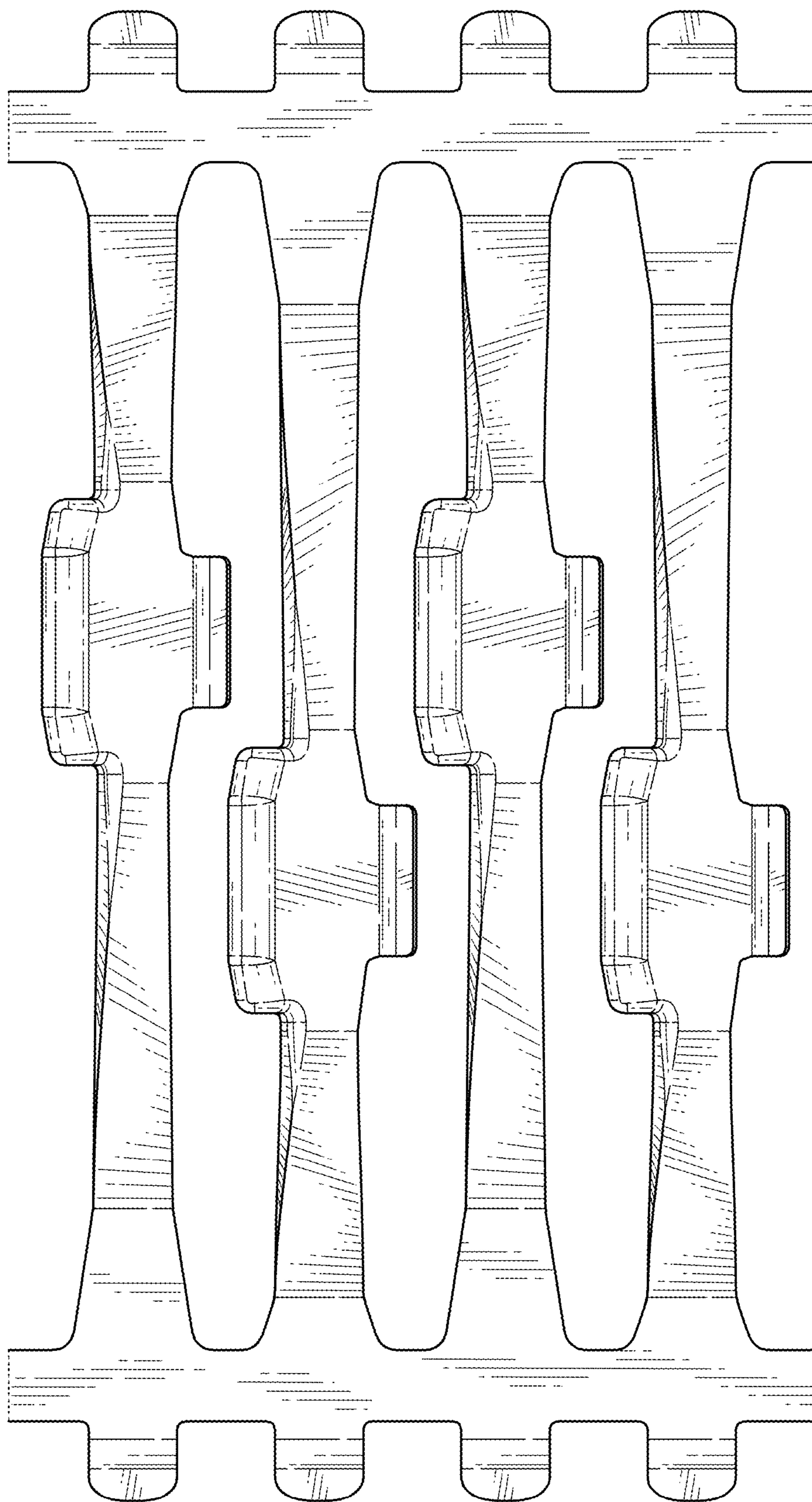


FIG. 5

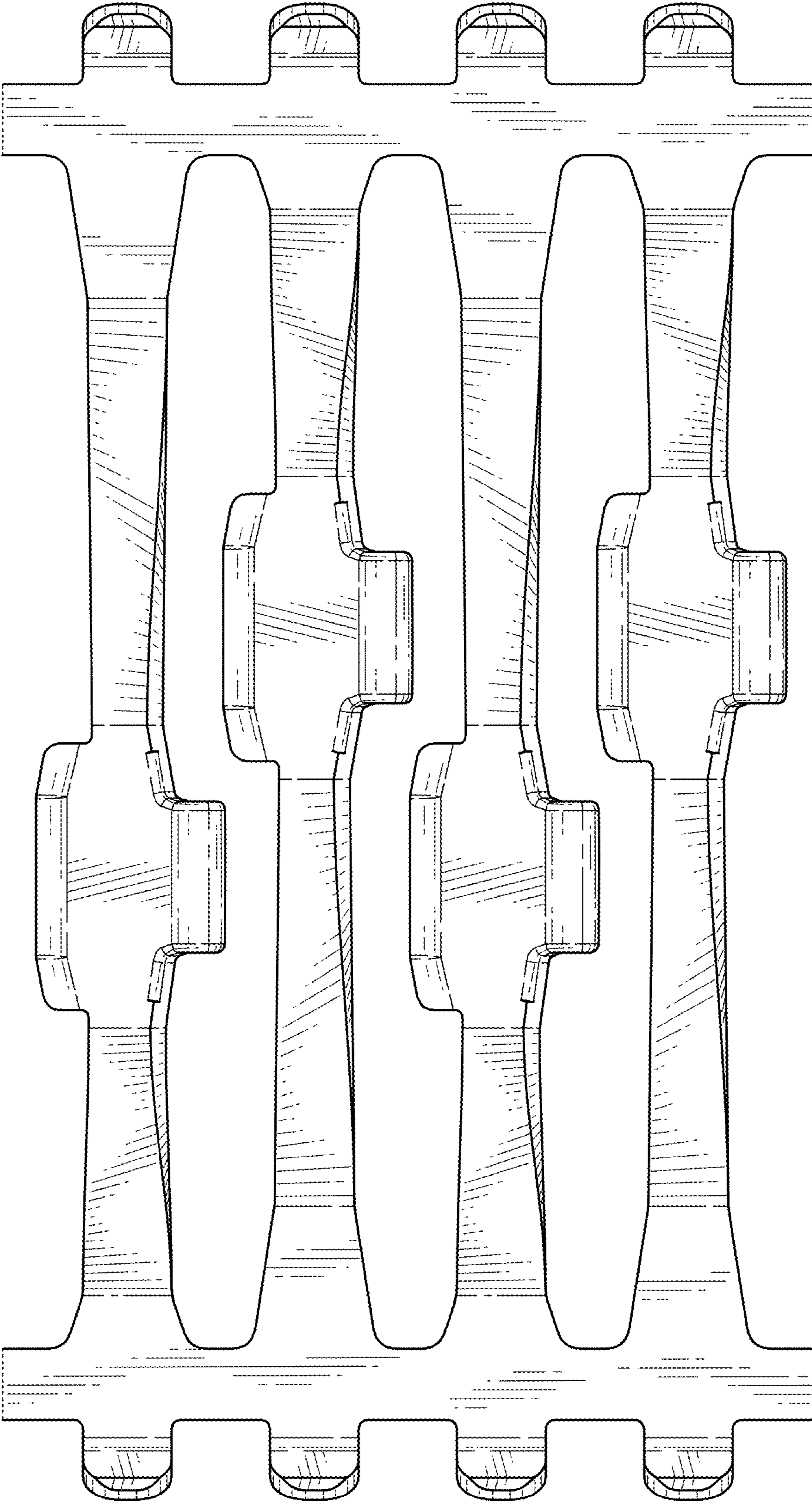


FIG. 6

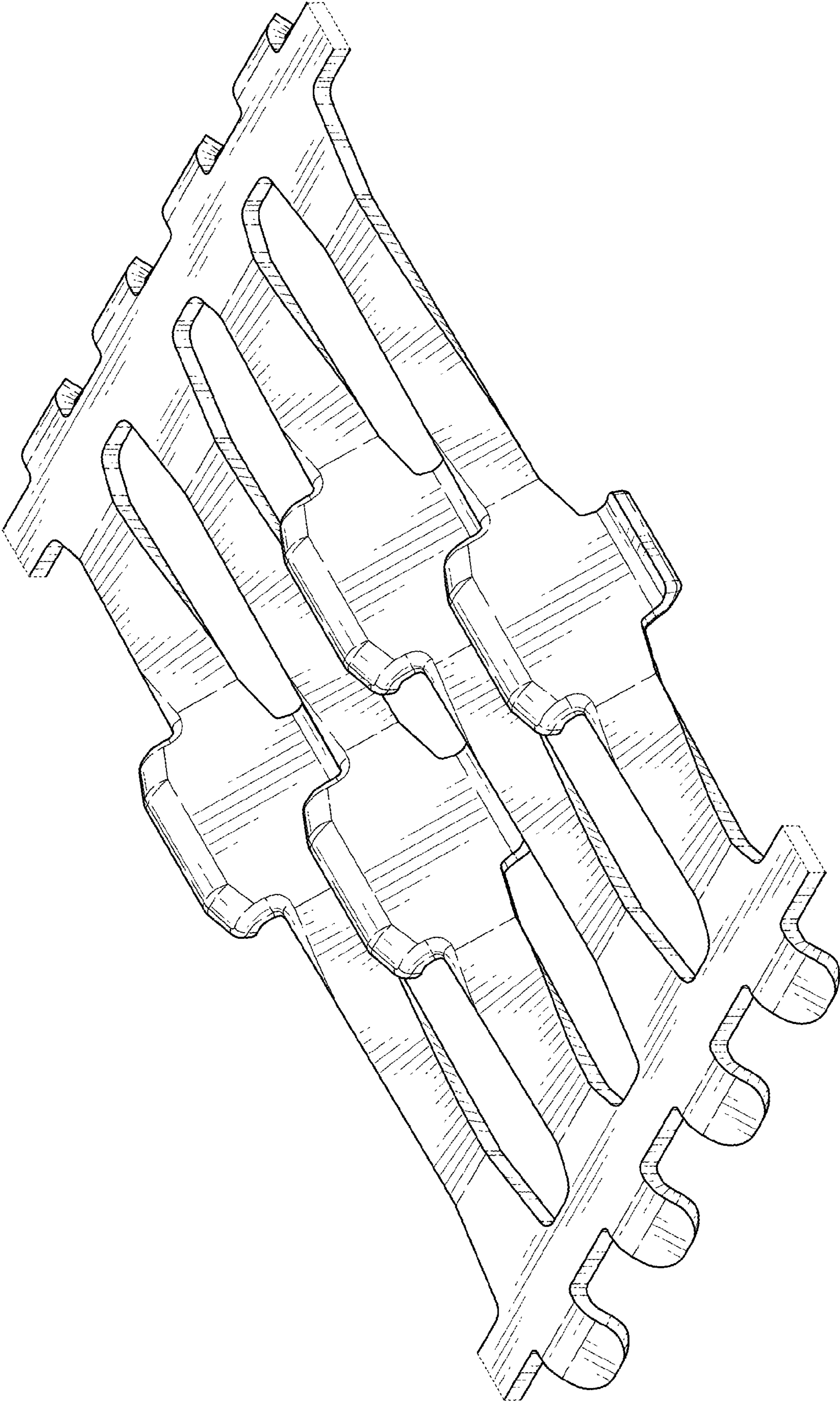


FIG. 7

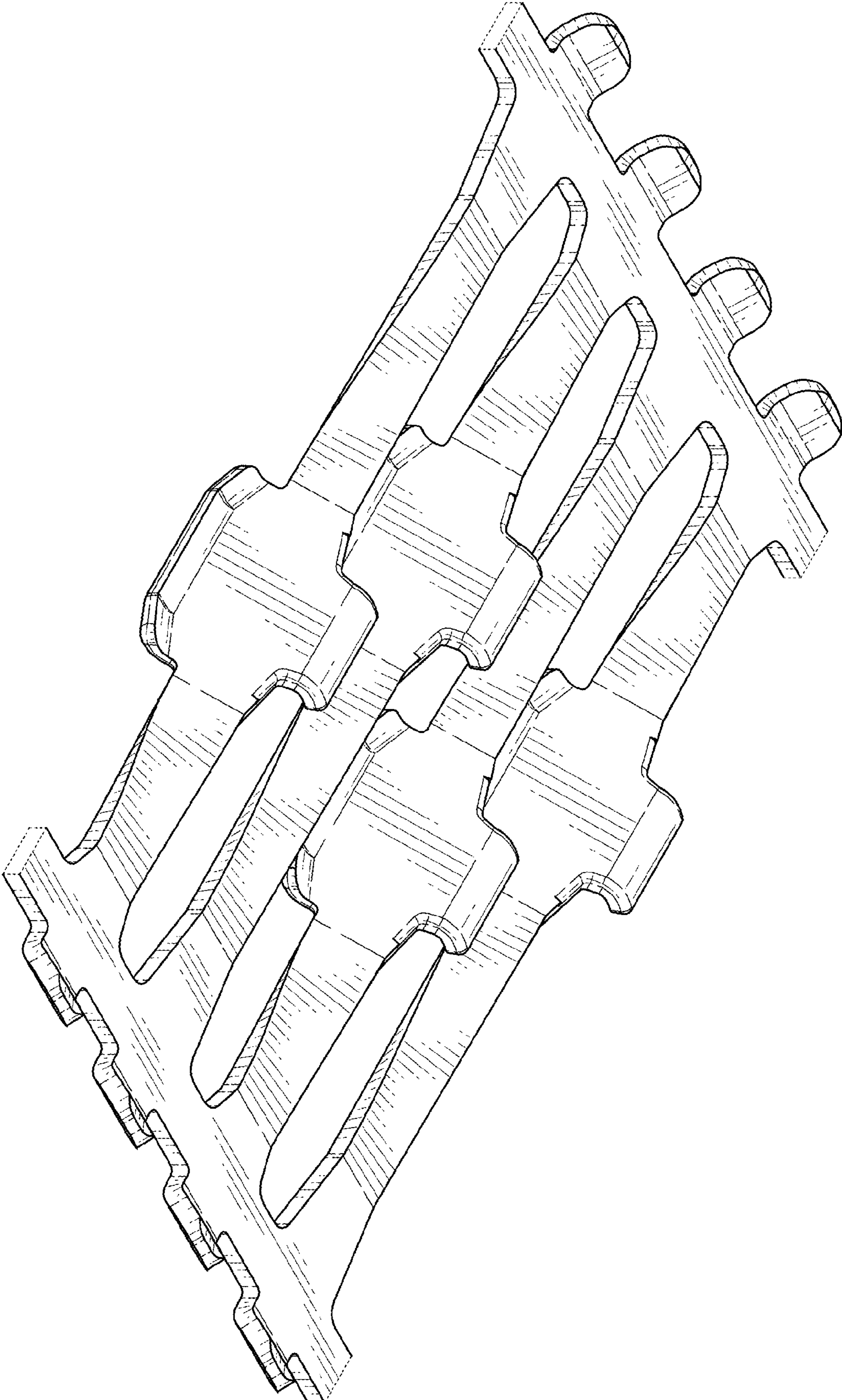


FIG. 8