



US00D907583S

(12) **United States Design Patent** (10) **Patent No.:** **US D907,583 S**
Wang (45) **Date of Patent:** **** Jan. 12, 2021**

(54) **K-SERIES CIRCULAR CONNECTOR**
(71) Applicant: **Hongchuan Wang**, Shenzhen (CN)
(72) Inventor: **Hongchuan Wang**, Shenzhen (CN)
(73) Assignee: **SHENZHEN CHUANTE ELECTRONIC TECHNOLOGY CO., LTD.**
(**) Term: **15 Years**
(21) Appl. No.: **29/677,393**
(22) Filed: **Jan. 19, 2019**
(51) **LOC (13) Cl.** **13-03**
(52) **U.S. Cl.**
USPC **D13/154**
(58) **Field of Classification Search**
USPC D13/120, 133, 146, 148, 149, 150, 151,
D13/153, 154, 155, 157, 173, 199;
D23/259, 262
CPC H01R 4/00; H01R 12/70; H01R 13/052
See application file for complete search history.

(56) **References Cited**
U.S. PATENT DOCUMENTS
D245,977 S * 10/1977 Mouttet D13/133
D461,167 S * 8/2002 Montena D13/154
D553,081 S * 10/2007 Victor D13/133
D574,780 S * 8/2008 Chawgo D13/133
D607,830 S * 1/2010 Shaw D13/151
D617,287 S * 6/2010 Amidon D13/154
D661,659 S * 6/2012 Natoli D13/151
D662,062 S * 6/2012 Eriksen D13/151
D726,123 S * 4/2015 Su D13/154
D867,290 S * 11/2019 Wang D13/133

2008/0064259 A1* 3/2008 Amidon H01R 11/11
439/578
2010/0285691 A1* 11/2010 Rodrigues H01R 13/622
439/578
2012/0270439 A1* 10/2012 Tremba H01R 9/0524
439/578

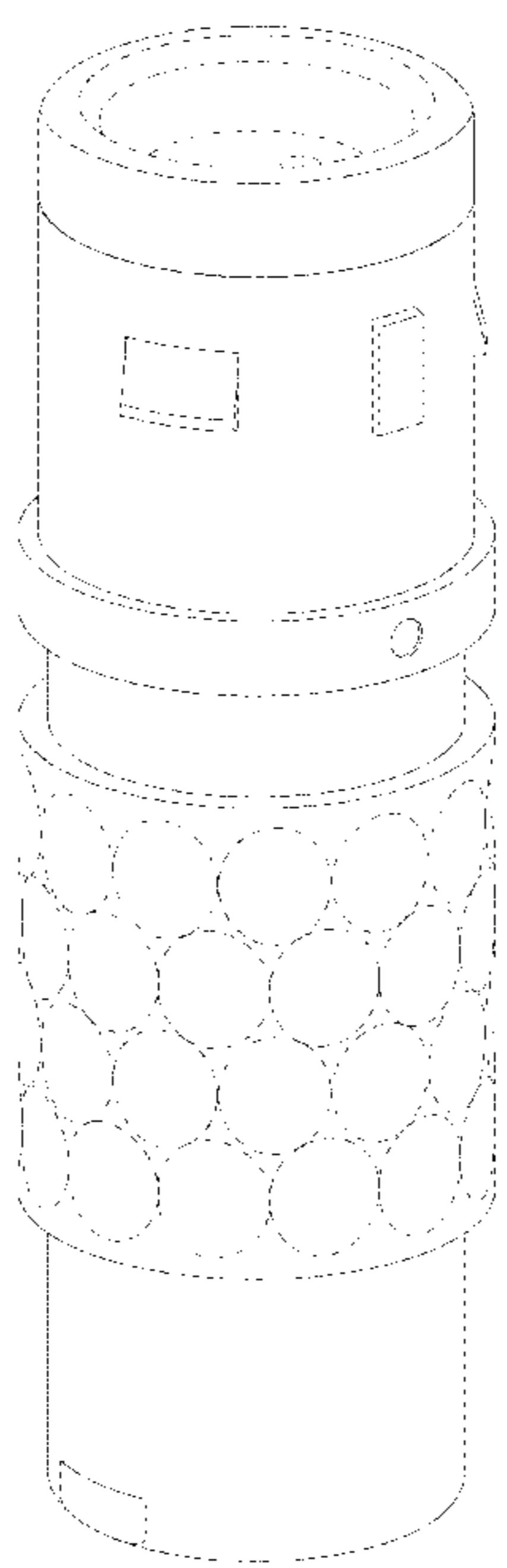
OTHER PUBLICATIONS
“Fischer Connectors Cylindrical Plastic Connectors”. Found online Jul. 14, 2020 at fischerconnectors.com. Reference dated Jun. 3, 2016. Retrieved from <https://web.archive.org/web/20160330111007/https://www.fischerconnectors.com/us/en/products/plastic>. (Year: 2016).*
“K Series Connector Assembly”. Found online Jul. 14, 2020 at youtube.com. Reference dated Jan. 5, 2017. Retrieved from https://www.youtube.com/watch?v=FkcpGF04td4&feature=emb_logo. (Year: 2017).*

(Continued)
Primary Examiner — Kendra Leslie Hamilton
Assistant Examiner — Amanda Christensen
(74) *Attorney, Agent, or Firm* — Justin Lampel

(57) **CLAIM**
The ornamental design for a K-series circular connector, as shown and described.

DESCRIPTION
FIG. 1 is a top, right perspective view of a K-series circular connector, showing my new design;
FIG. 2 is a top plan view thereof;
FIG. 3 is a rear elevation view thereof;
FIG. 4 is a bottom plan view thereof;
FIG. 5 is a right side elevational view thereof;
FIG. 6 is a front elevation view thereof; and,
FIG. 7 is a left side elevation view thereof.
The equal-length broken lines in the drawings depict portions of the K-series circular connector that form no part of the claimed design.

1 Claim, 7 Drawing Sheets



(56)

References Cited

OTHER PUBLICATIONS

“ODU Mini-Snap K Series”. Found online Jul. 14, 2020 at mouser.com. Reference dated Dec. 15, 2016. Retrieved from https://www.mouser.com/datasheet/2/941/MINI-SNAP_K_SERIES_S21K0C-P16MCC0-550S-1597090.pdf. (Year: 2016).*

“Fischer Connectors Cylindrical Stainless Steel Connector”. Found online Jul. 14, 2020 at fischerconnectors.com. Reference dated May 12, 2016. Retrieved from <https://web.archive.org/web/20160512134530/http://www.fischerconnectors.com/us/en/products/stainless-steel>. (Year: 2016).*

* cited by examiner

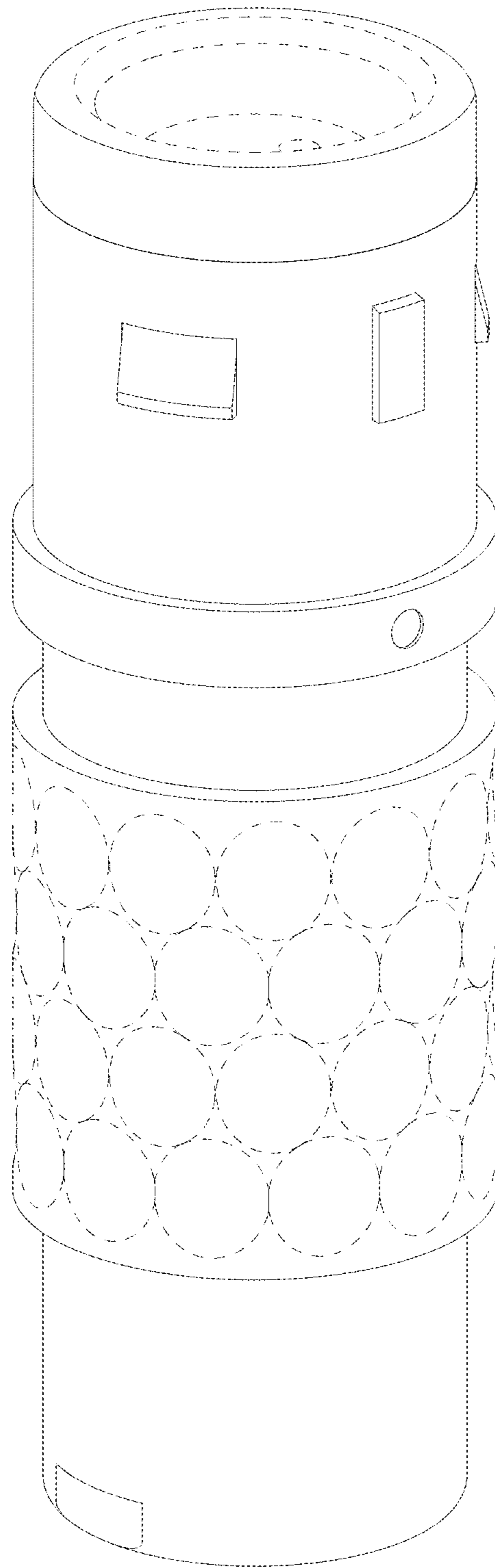


FIG.1

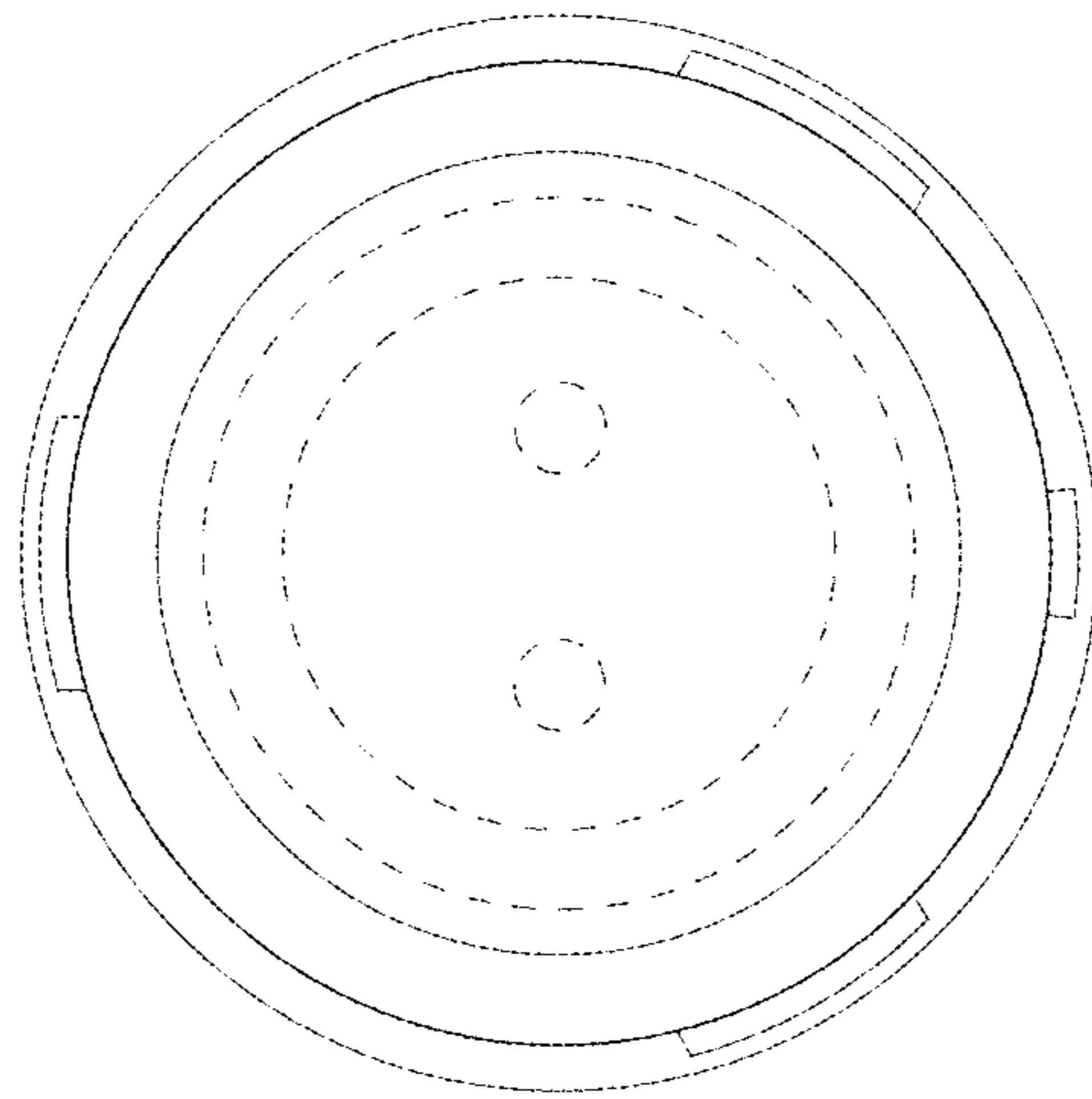


FIG.2

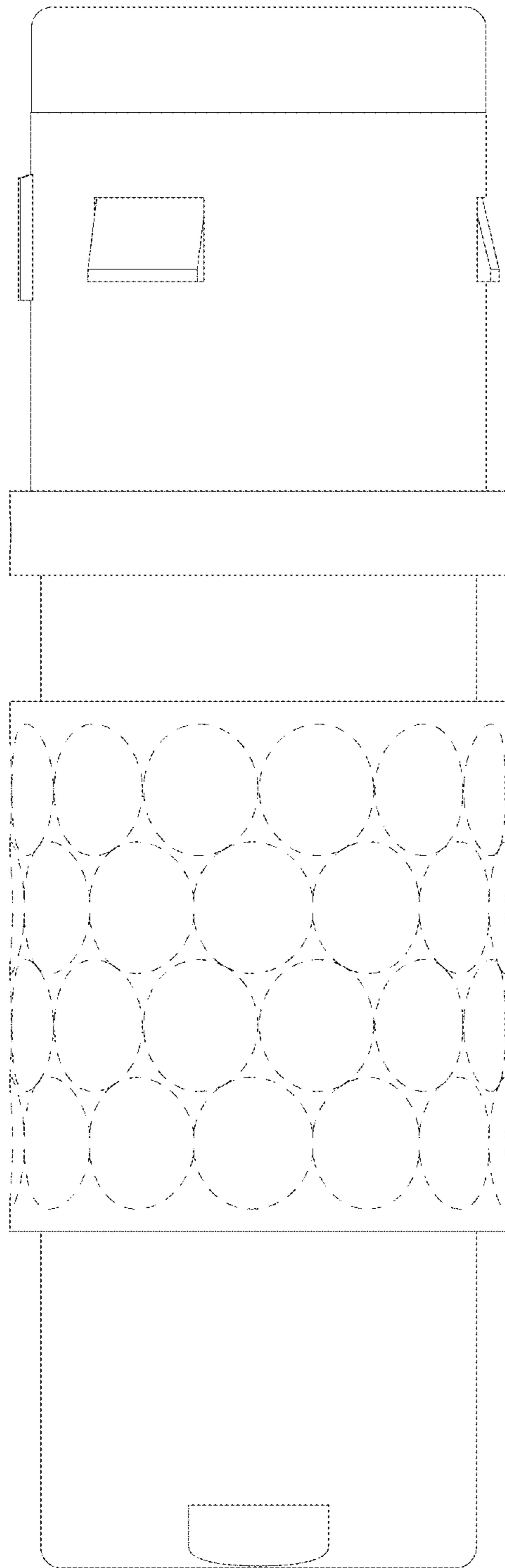


FIG. 3

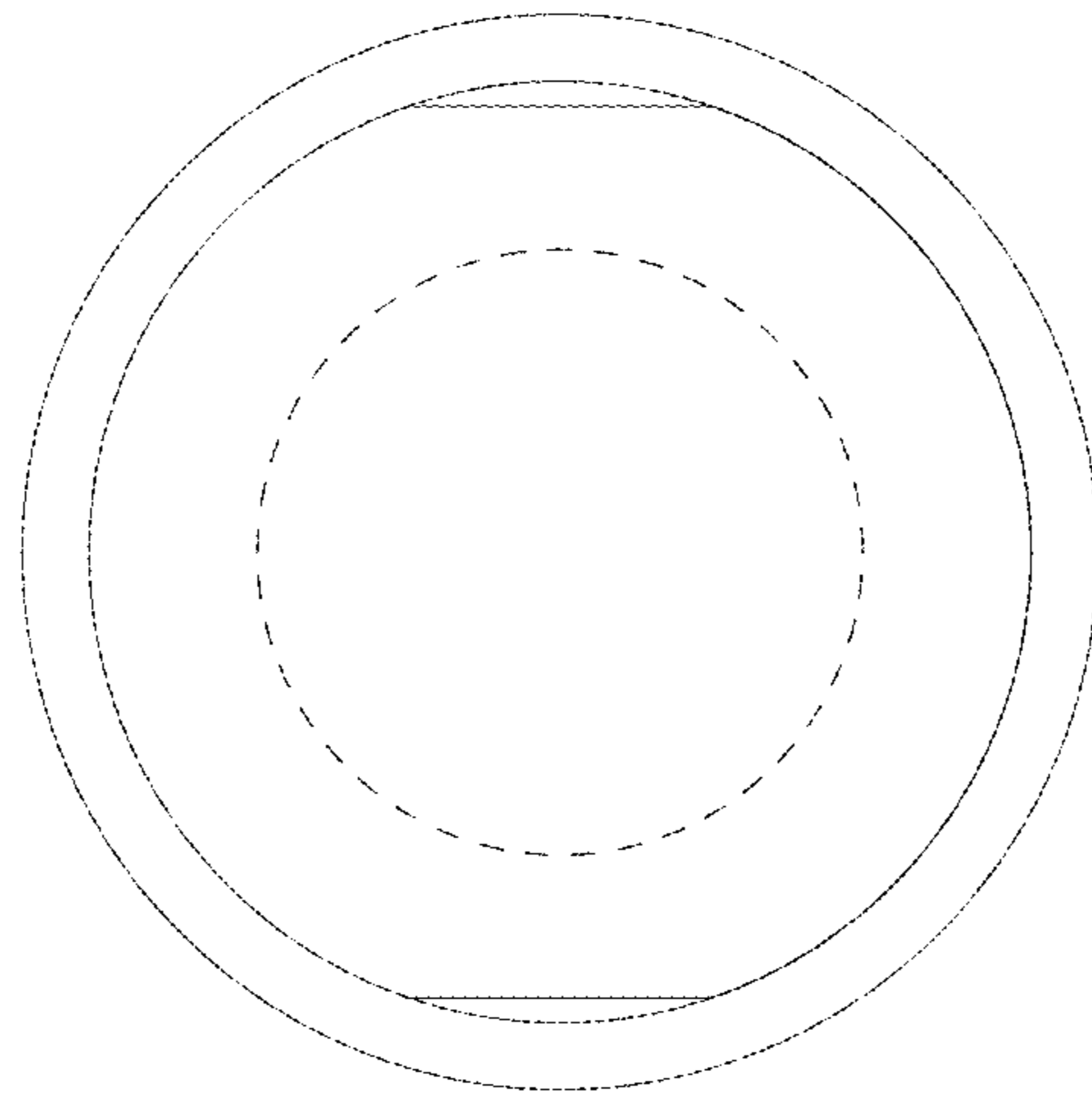


FIG. 4

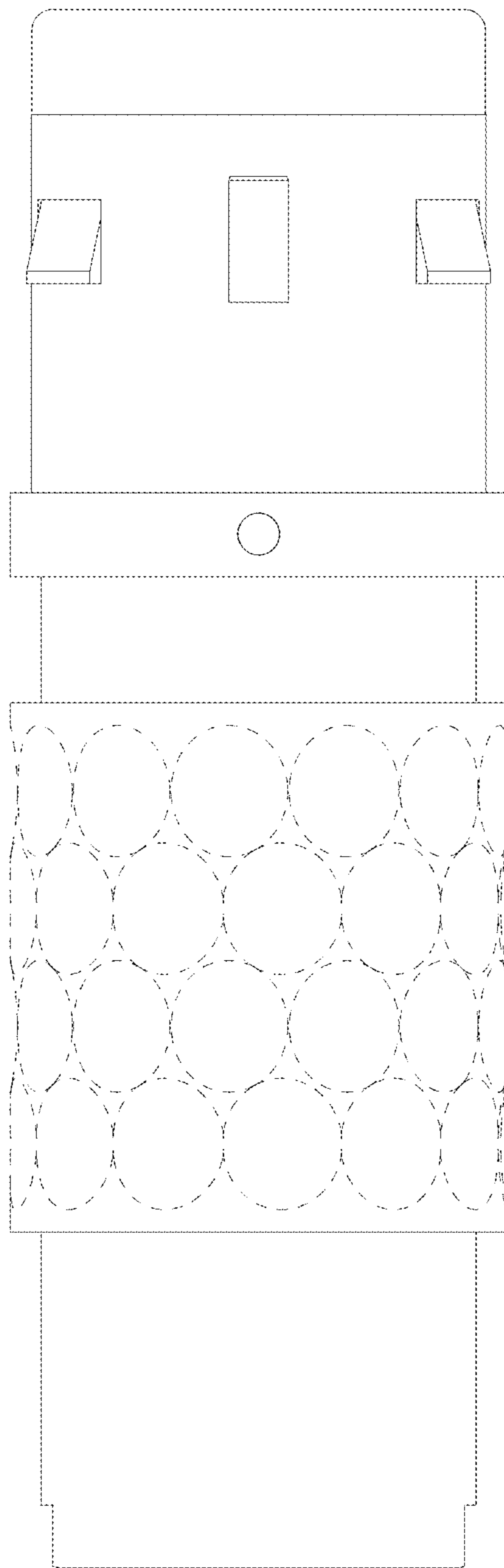


FIG. 5

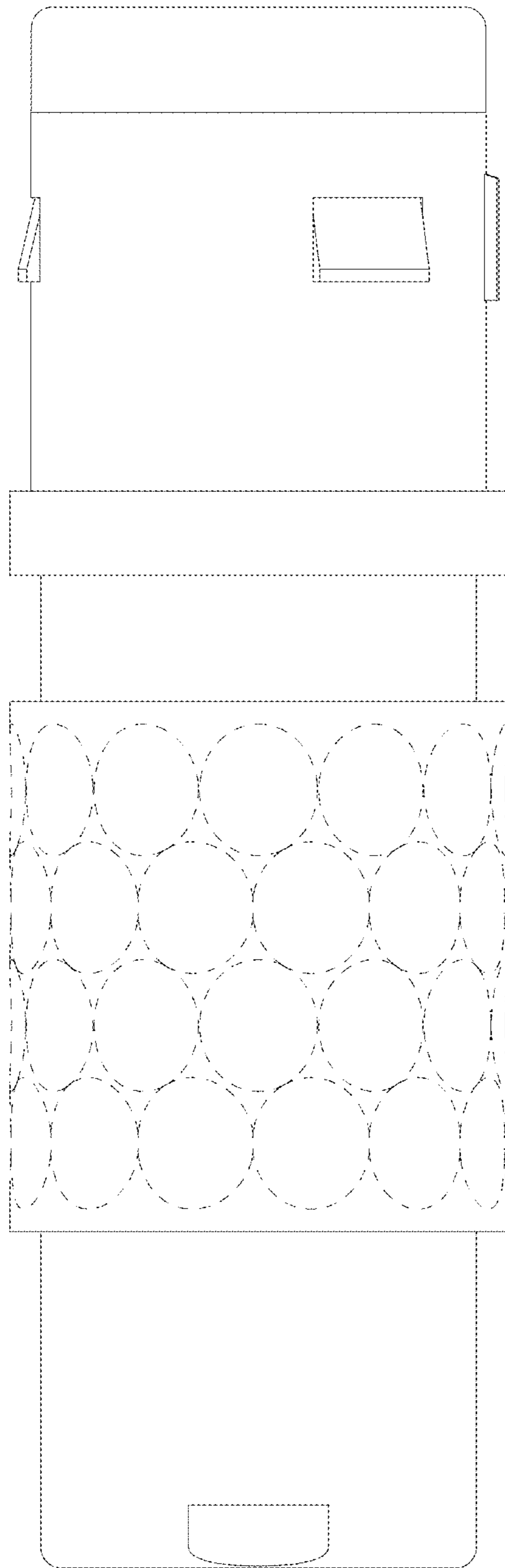


FIG. 6

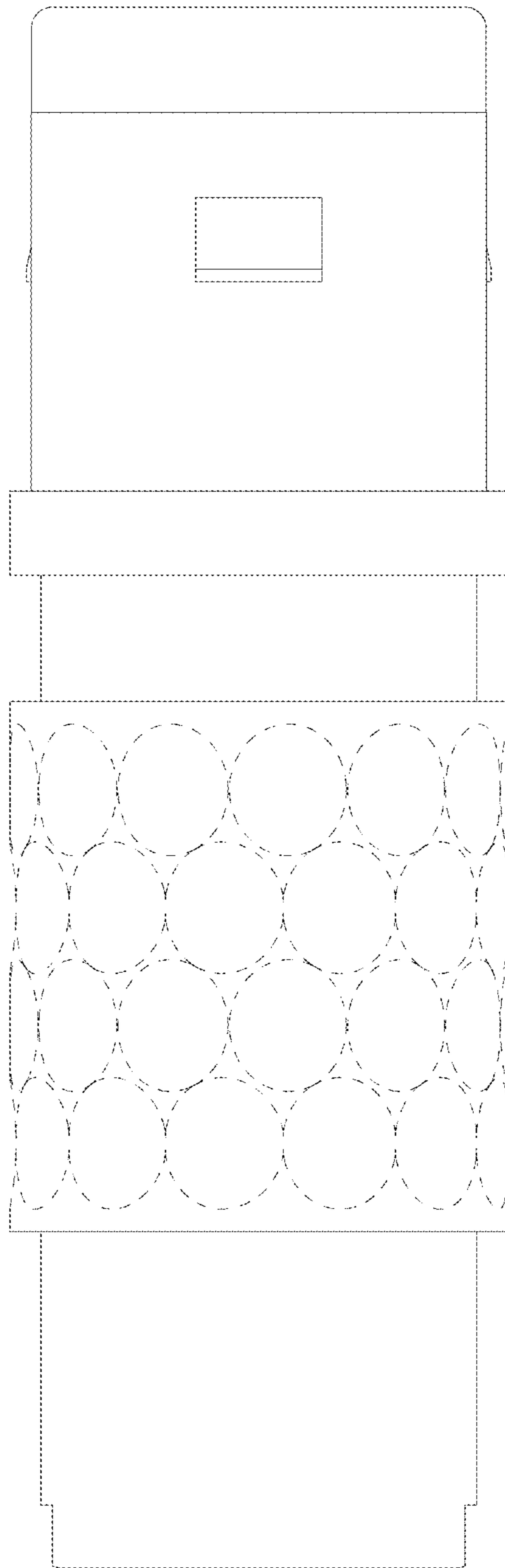


FIG. 7