



US00D907580S

(12) **United States Design Patent**
Asano

(10) **Patent No.:** **US D907,580 S**
(45) **Date of Patent:** **** Jan. 12, 2021**

(54) **ELECTRICAL CONNECTOR**
(71) Applicant: **Hosiden Corporation, Yao (JP)**
(72) Inventor: **Takao Asano, Isesaki (JP)**
(73) Assignee: **HOSIDEN CORPORATION, Yao (JP)**
(**) Term: **15 Years**

(21) Appl. No.: **29/677,565**
(22) Filed: **Jan. 22, 2019**

(30) **Foreign Application Priority Data**

Aug. 1, 2018 (JP) 2018-016842

(51) **LOC (13) Cl.** **13-03**
(52) **U.S. Cl.**
USPC **D13/147**

(58) **Field of Classification Search**
USPC D13/133, 146, 147, 154, 173, 184, 199;
D14/432, 433, 435, 436, 438
CPC H01R 13/5205; H01R 13/506; H01R
13/5016; H01R 13/26; H01R 13/6582;
H01R 13/6586; H01R 24/62; H01R 24/78
See application file for complete search history.

(56) **References Cited**

U.S. PATENT DOCUMENTS

5,961,350 A * 10/1999 Shiu H01R 12/7017
439/607.01
D687,780 S * 8/2013 Shimizu D13/147
D701,491 S * 3/2014 Miyoshi D13/147
D747,687 S * 1/2016 Endo D13/146

D748,584 S * 2/2016 Endo D13/147
D748,586 S * 2/2016 Endo D13/147
D756,931 S * 5/2016 Asano D13/147
D756,932 S * 5/2016 Asano D13/147
D773,998 S * 12/2016 Endo D13/147
D810,023 S * 2/2018 Asano D13/133
D820,789 S * 6/2018 Asano D13/146
D854,500 S * 7/2019 Asano D13/133
10,734,748 B2 * 8/2020 Miyamura H01R 13/641
10,770,816 B2 * 9/2020 Mellott H01R 13/113

* cited by examiner

Primary Examiner — Karen E Kearney
Assistant Examiner — Michael Chong
(74) *Attorney, Agent, or Firm* — Rankin, Hill & Clark
LLP

(57) **CLAIM**

The ornamental design for an electrical connector, as shown and described.

DESCRIPTION

FIG. 1 is a front, right side and top perspective view of an electrical connector of my new design;
FIG. 2 is a front, right side and bottom perspective view thereof;
FIG. 3 is a front elevation view thereof;
FIG. 4 is a rear elevation view thereof;
FIG. 5 is a left side view thereof, a right side view being a mirror image thereof;
FIG. 6 is a top plan view thereof; and,
FIG. 7 is a bottom plan view thereof.
The portions of the electrical connector shown in broken lines form no part of the claimed design.

1 Claim, 3 Drawing Sheets

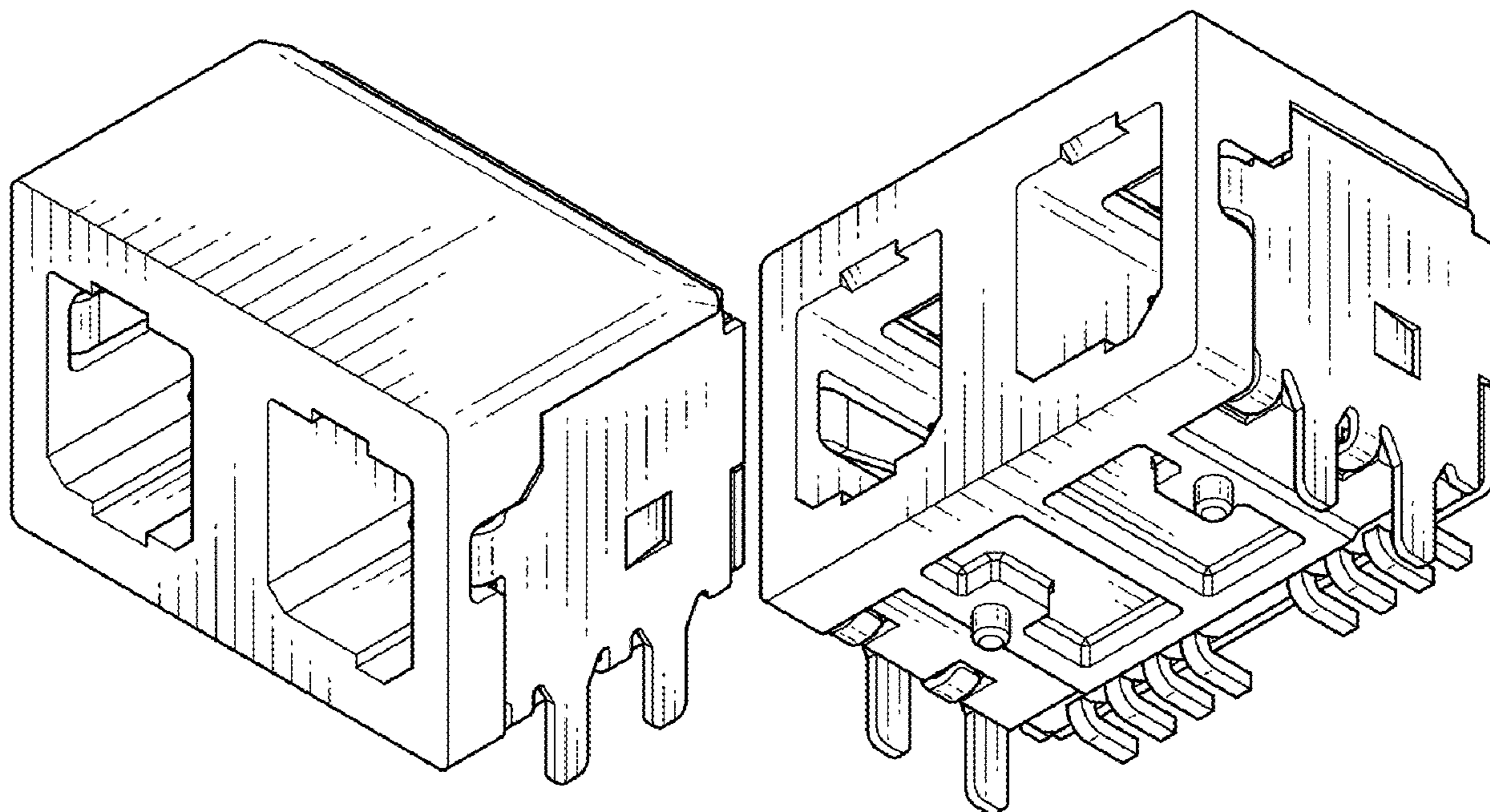


Fig.1

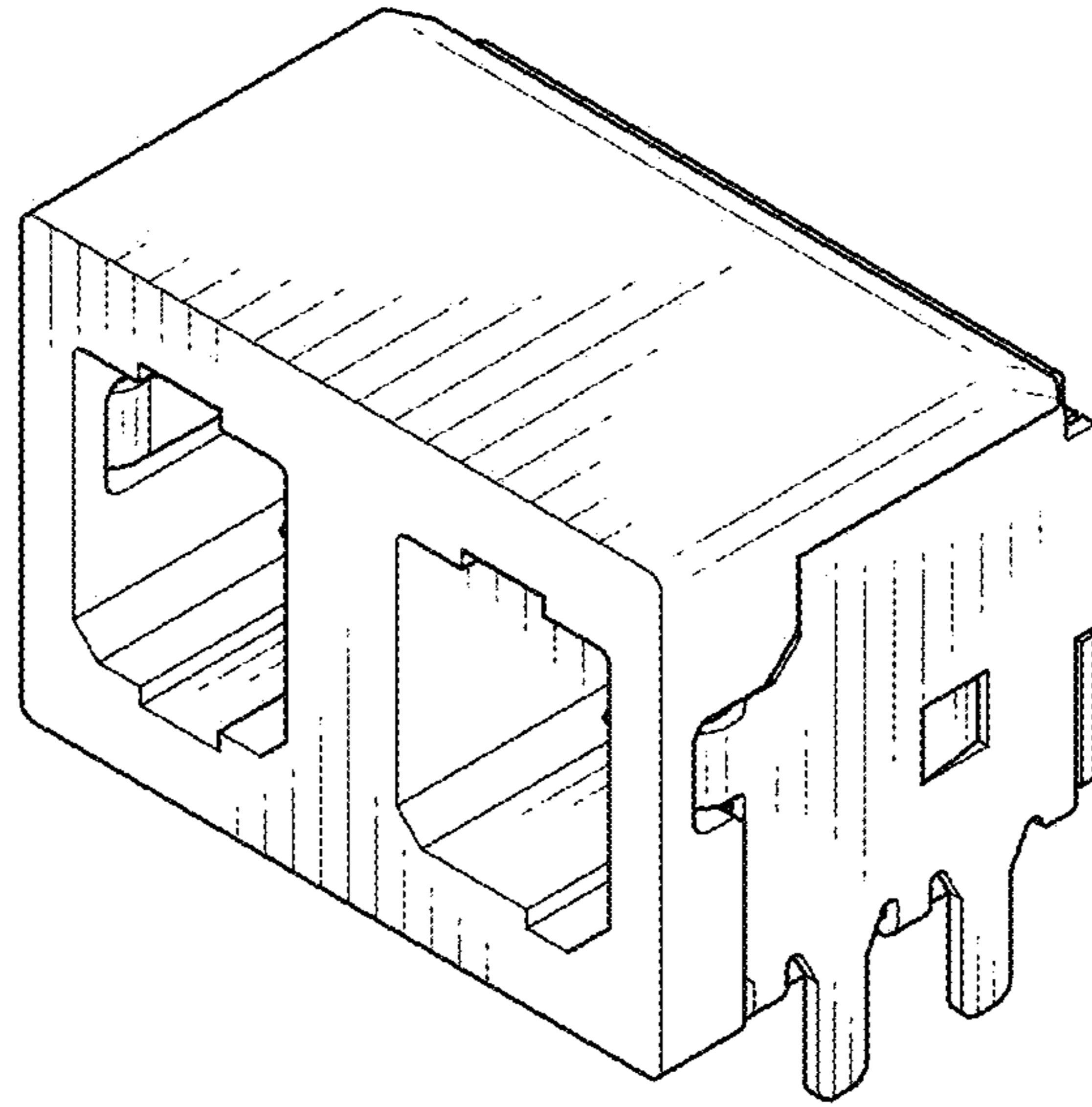


Fig.2

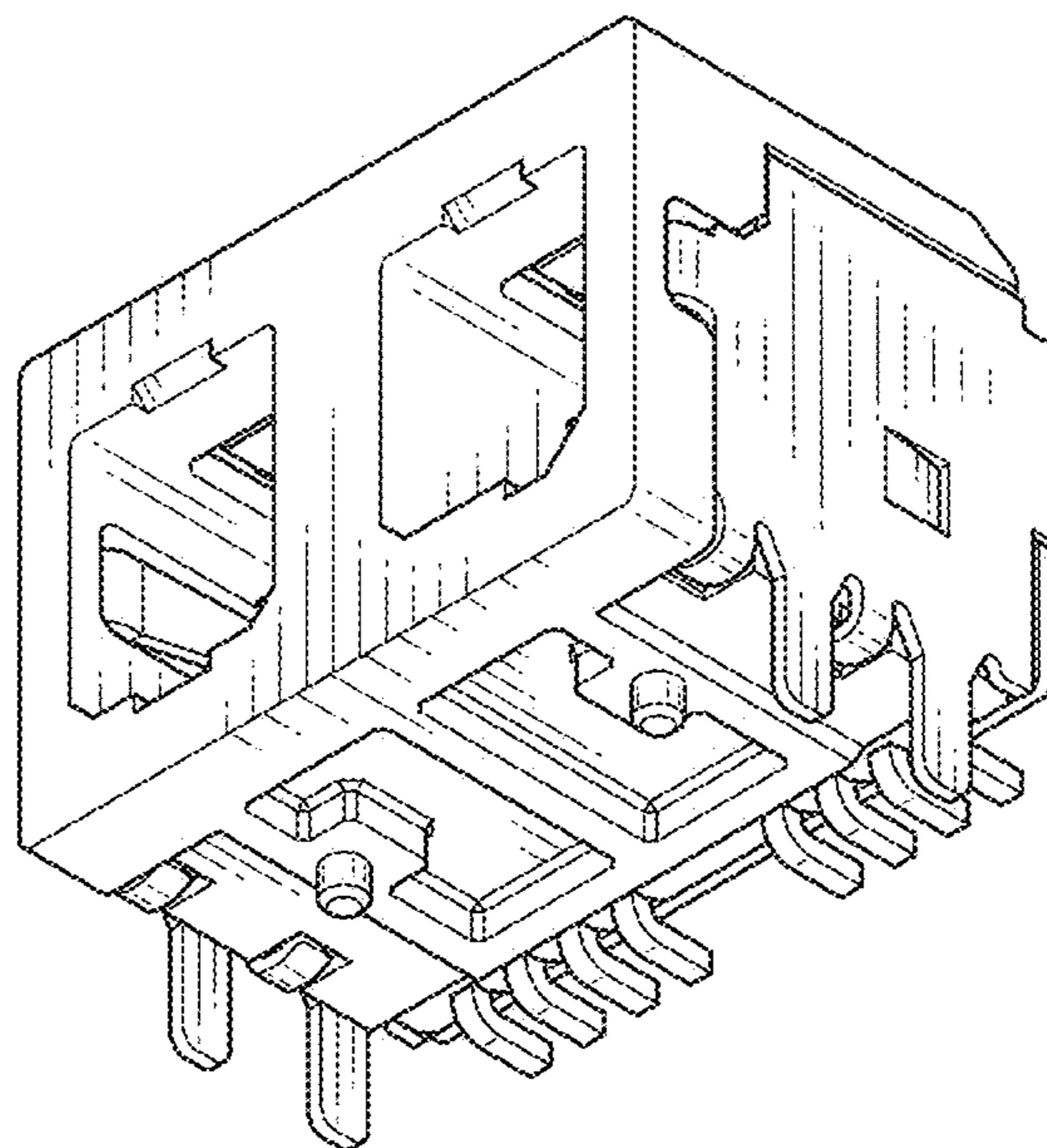


Fig.3

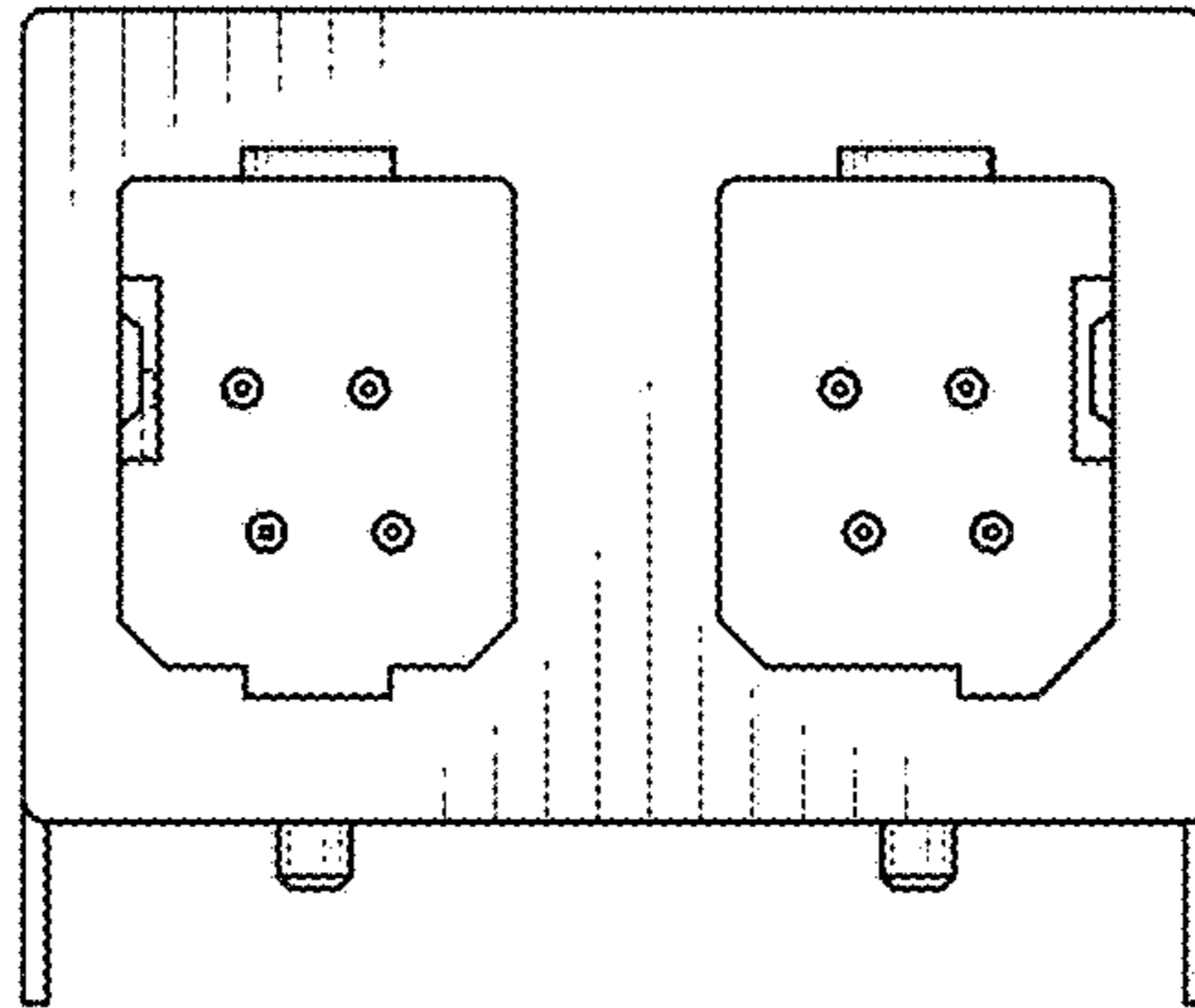


Fig.4

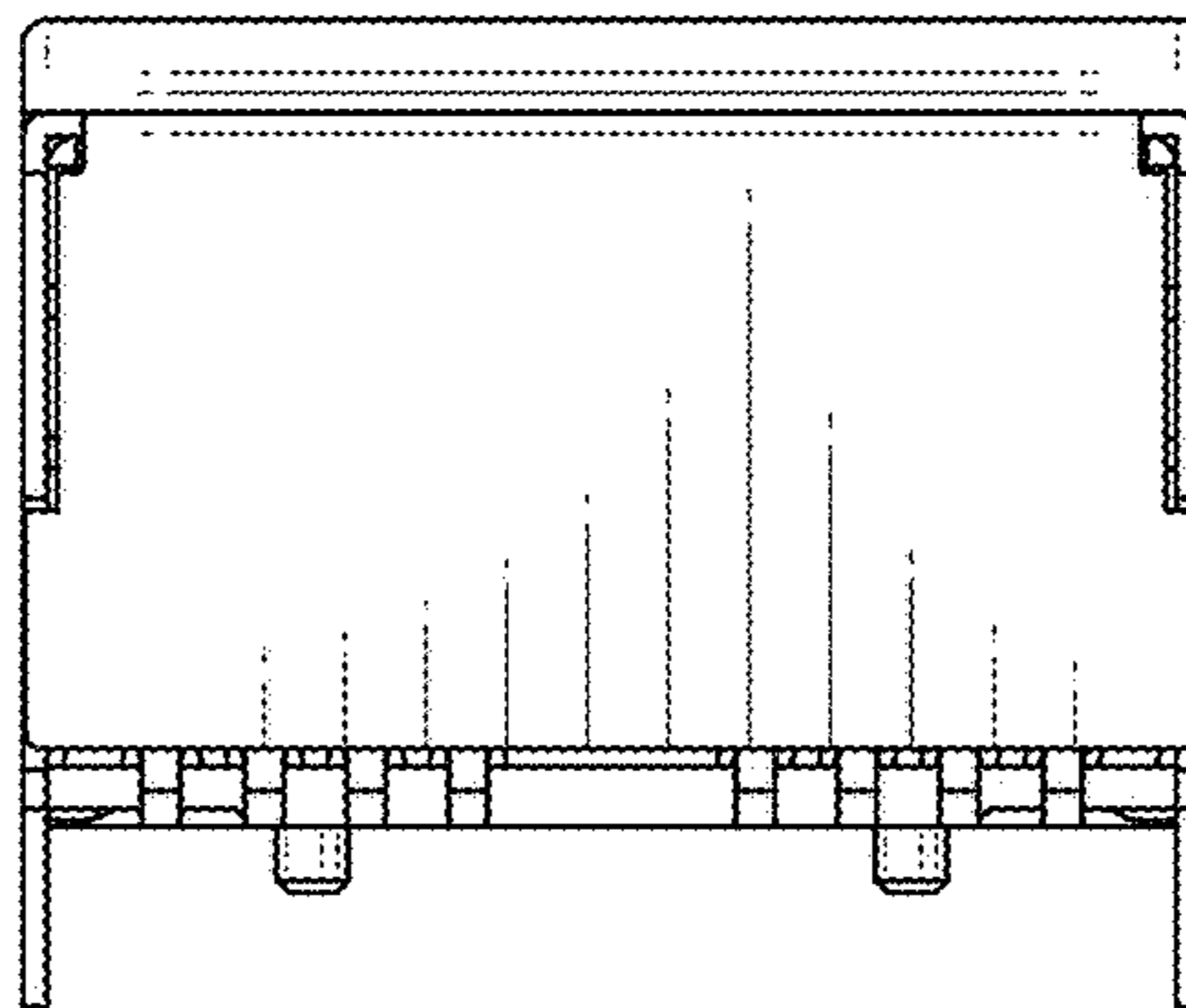


Fig.5

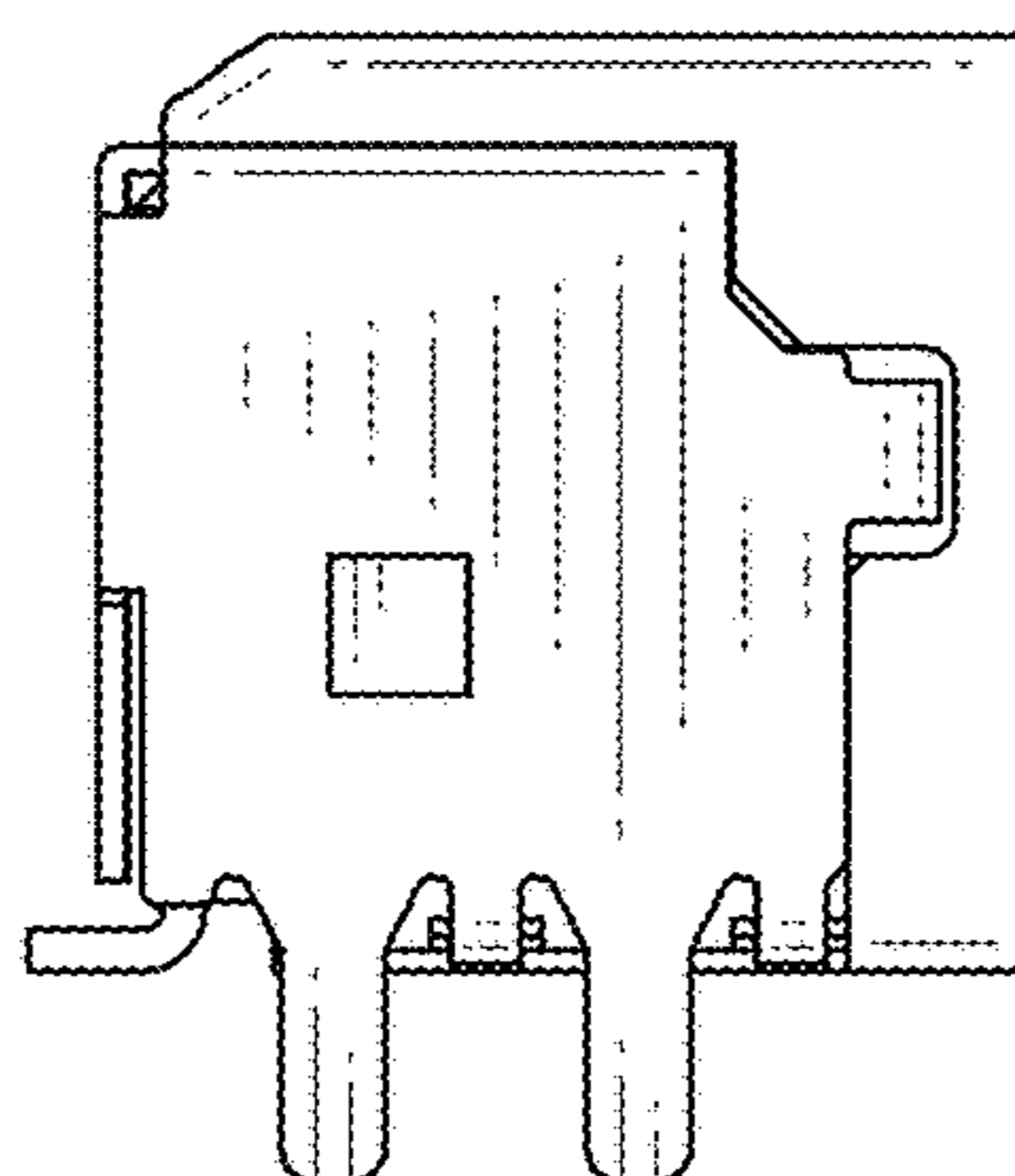


Fig.6

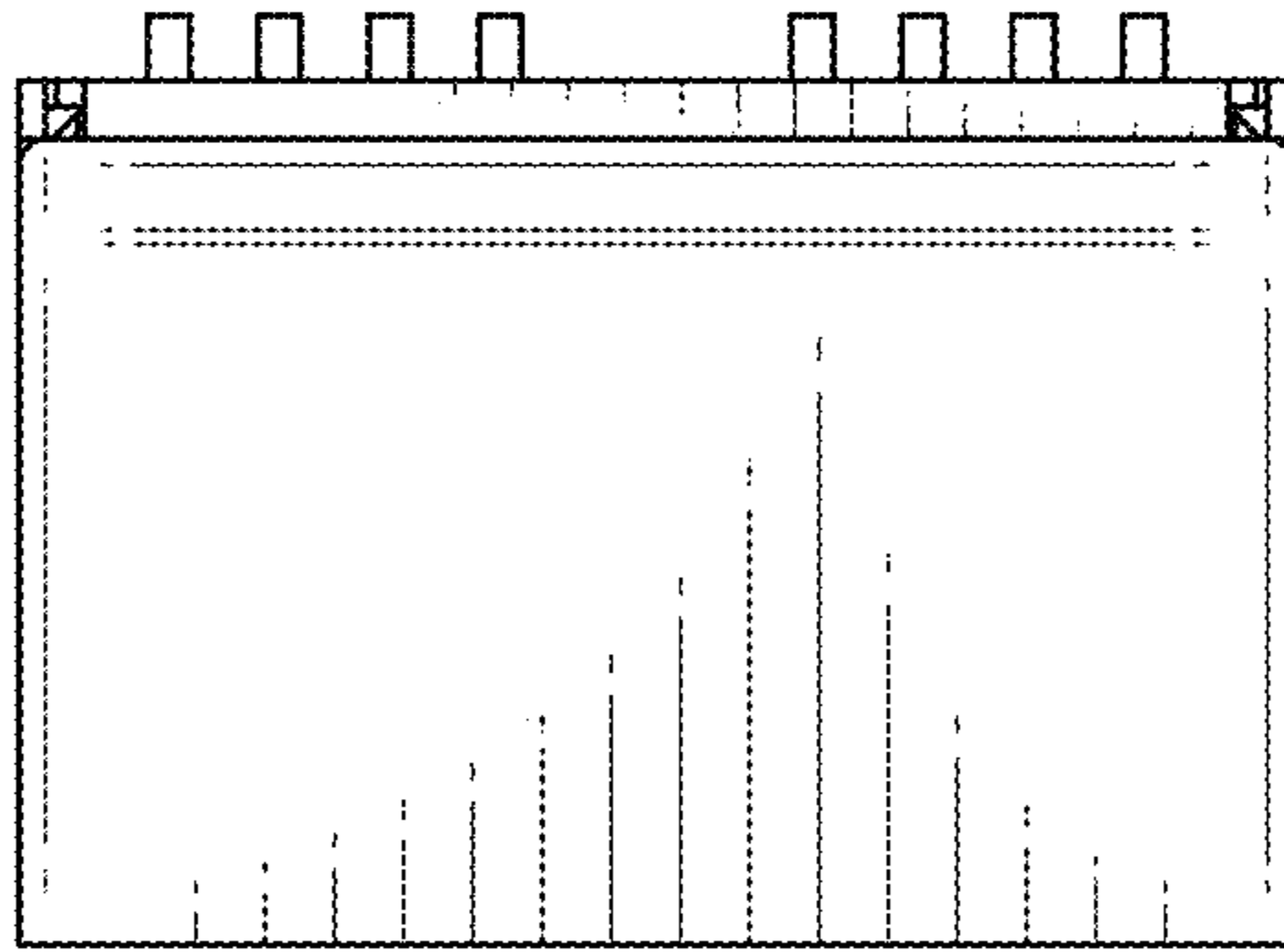


Fig.7

