



US00D907579S

(12) **United States Design Patent**
Asano

(10) **Patent No.:** **US D907,579 S**
(45) **Date of Patent:** **** Jan. 12, 2021**

(54) **ELECTRICAL CONNECTOR**

(71) Applicant: **Hosiden Corporation**, Yao (JP)
(72) Inventor: **Takao Asano**, Isesaki (JP)
(73) Assignee: **HOSIDEN CORPORATION**, Yao (JP)
(**) Term: **15 Years**

(21) Appl. No.: **29/677,561**

(22) Filed: **Jan. 22, 2019**

(30) **Foreign Application Priority Data**

Aug. 1, 2018 (JP) 2018-016841

(51) **LOC (13) Cl.** **13-03**

(52) **U.S. Cl.**
USPC **D13/147**

(58) **Field of Classification Search**
USPC D13/133, 146, 147, 149, 154, 173, 184,
D13/199; D14/432, 433, 435, 436, 438
CPC H01R 13/5205; H01R 13/506; H01R
13/5016; H01R 13/26; H01R 13/6582;
H01R 13/6586
See application file for complete search history.

(56) **References Cited**

U.S. PATENT DOCUMENTS

6,203,336 B1 * 3/2001 Nakamura H01R 13/64
439/607.42
6,997,748 B1 * 2/2006 Su H01R 13/6582
439/607.55
D590,776 S * 4/2009 Kondo D13/147
7,997,937 B2 * 8/2011 Kondo H01R 13/6477
439/607.4

D708,581 S * 7/2014 Asano D13/147
D772,166 S * 11/2016 Chien D13/147
9,780,505 B2 * 10/2017 Peng H01R 13/26
10,454,221 B2 * 10/2019 Naito H01R 12/724
D867,301 S * 11/2019 Saitou D13/147
D892,052 S * 8/2020 Kuroiwa D13/133
10,749,299 B2 * 8/2020 Tada H01R 13/502
10,763,626 B1 * 9/2020 Yang H01R 13/26
2019/0044268 A1 * 2/2019 Huang H01R 24/60
2019/0363495 A1 * 11/2019 Ju H01R 13/6585
2020/0212642 A1 * 7/2020 Zhao H01R 43/24
2020/0244000 A1 * 7/2020 Naito H01R 13/506

* cited by examiner

Primary Examiner — Karen E Kearney

Assistant Examiner — Michael Chong

(74) *Attorney, Agent, or Firm* — Rankin, Hill & Clark
LLP

(57) **CLAIM**

The ornamental design for an electrical connector, as shown and described.

DESCRIPTION

FIG. 1 is a front, right side and top perspective view of an electrical connector of my new design;
FIG. 2 is a front, right side and bottom perspective view thereof;
FIG. 3 is a front elevation view thereof;
FIG. 4 is a rear elevation view thereof;
FIG. 5 is a left side view thereof, a right side view being a mirror image thereof;
FIG. 6 is a top plan view thereof; and,
FIG. 7 is a bottom plan view thereof.
Portions of the electrical connector shown in broken lines form no part of the claimed design.

1 Claim, 3 Drawing Sheets

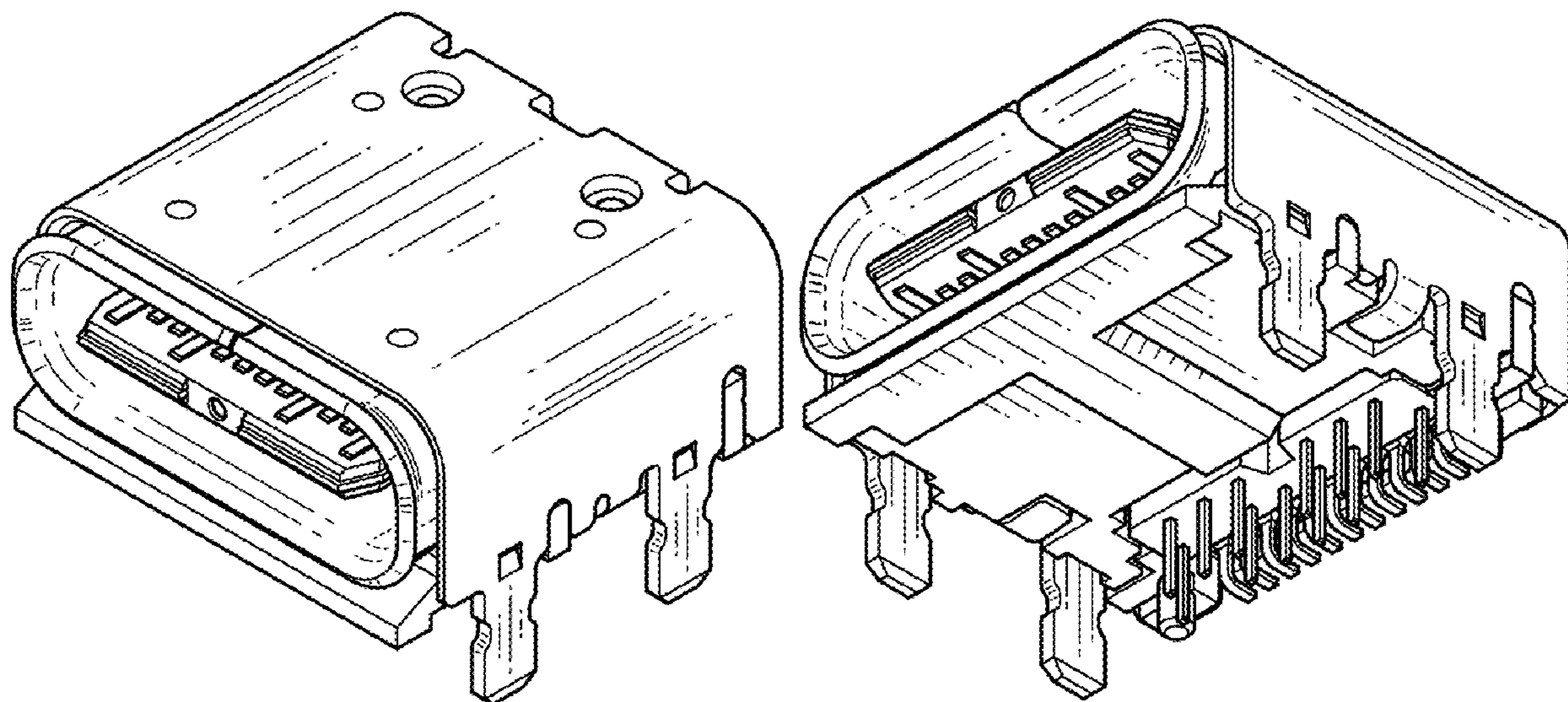


Fig.1

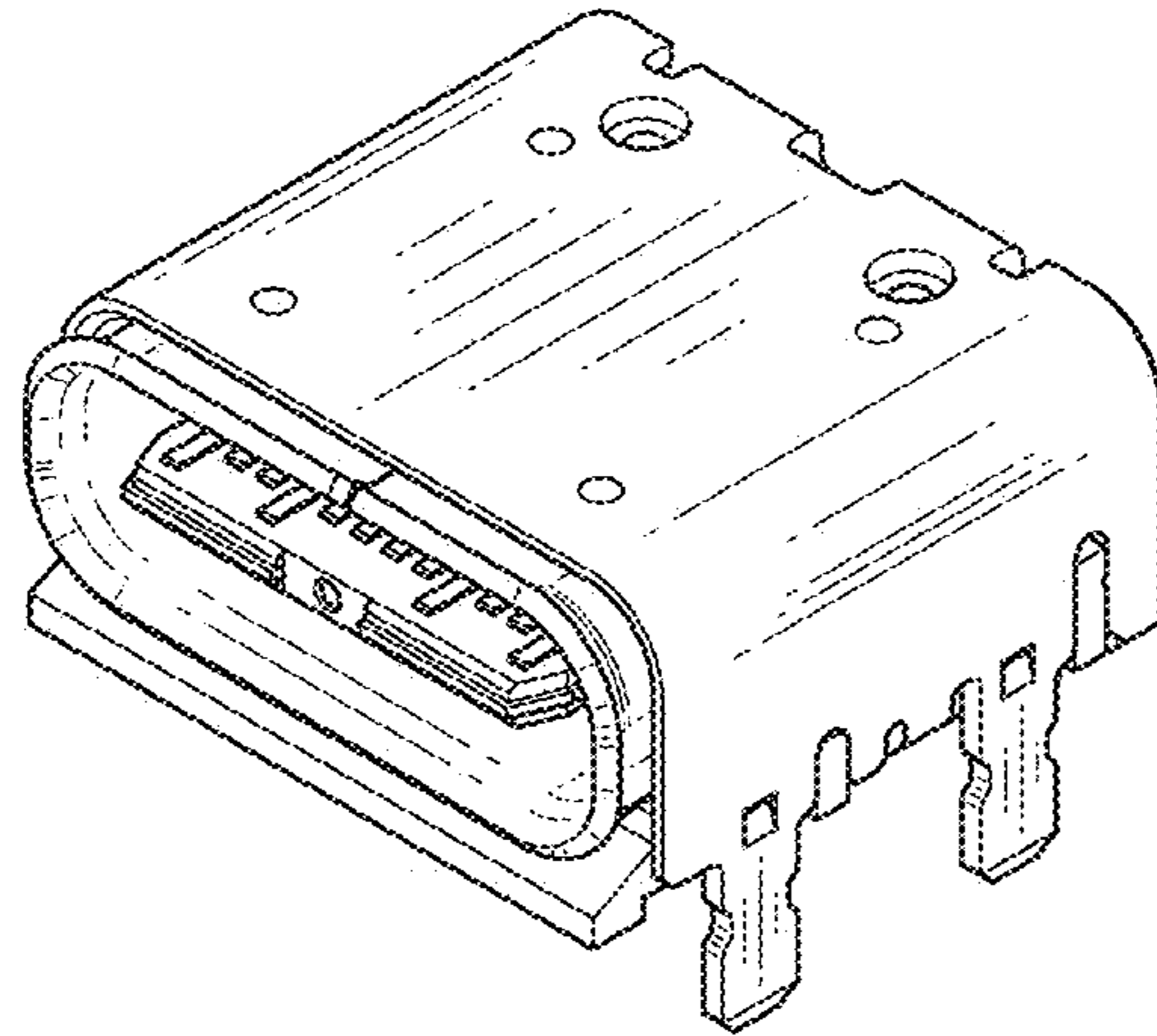


Fig.2

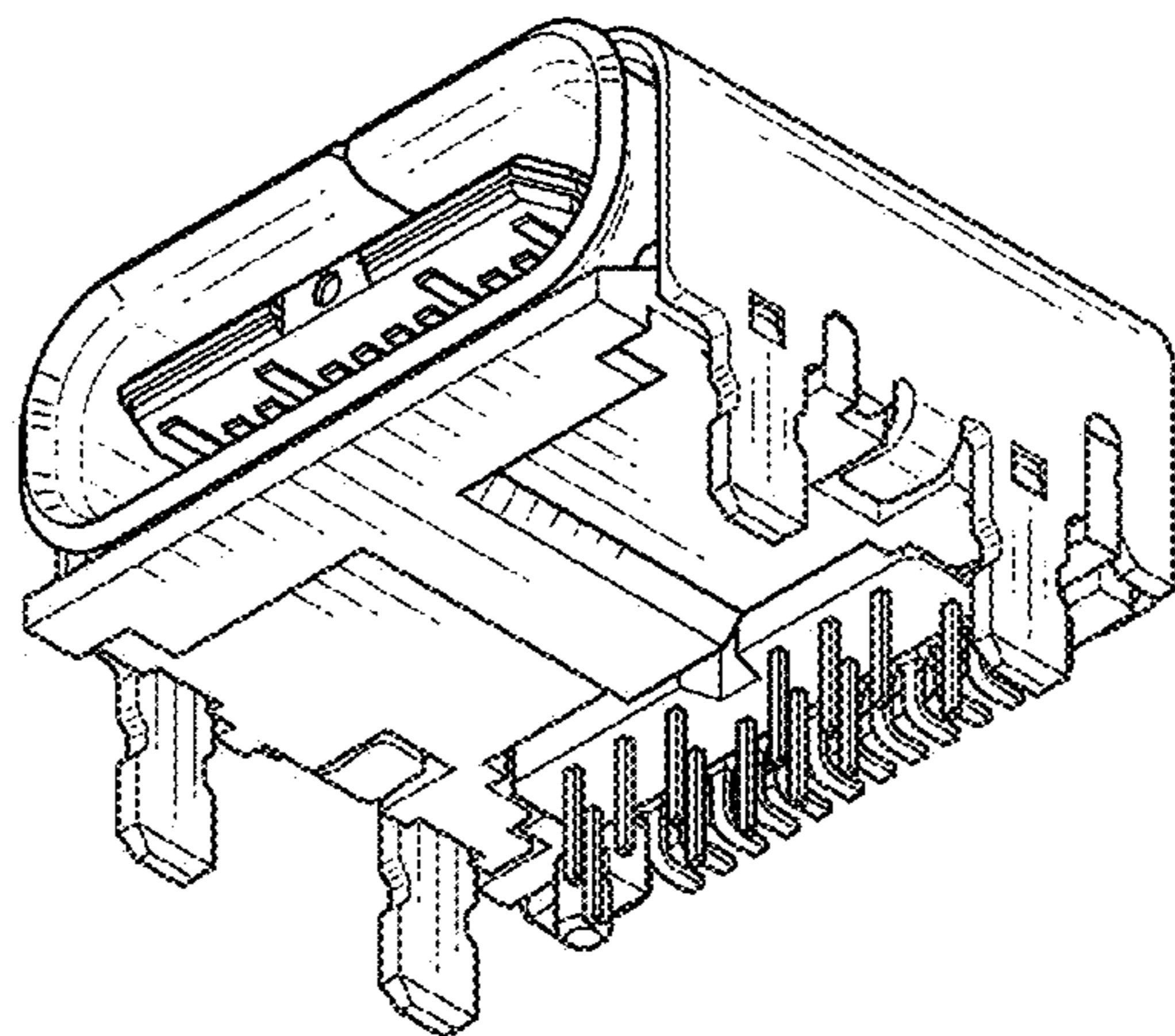


Fig.3

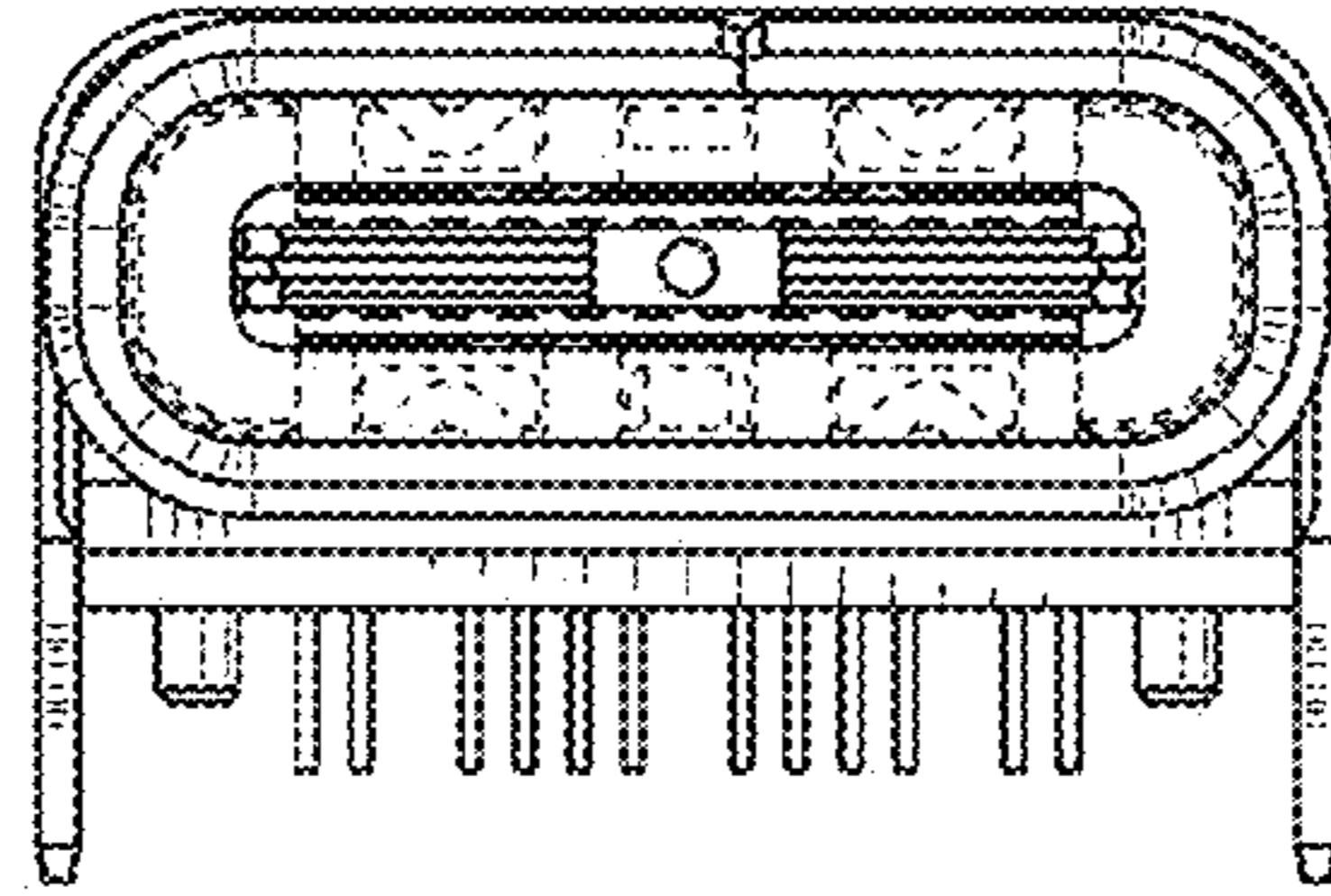


Fig.4

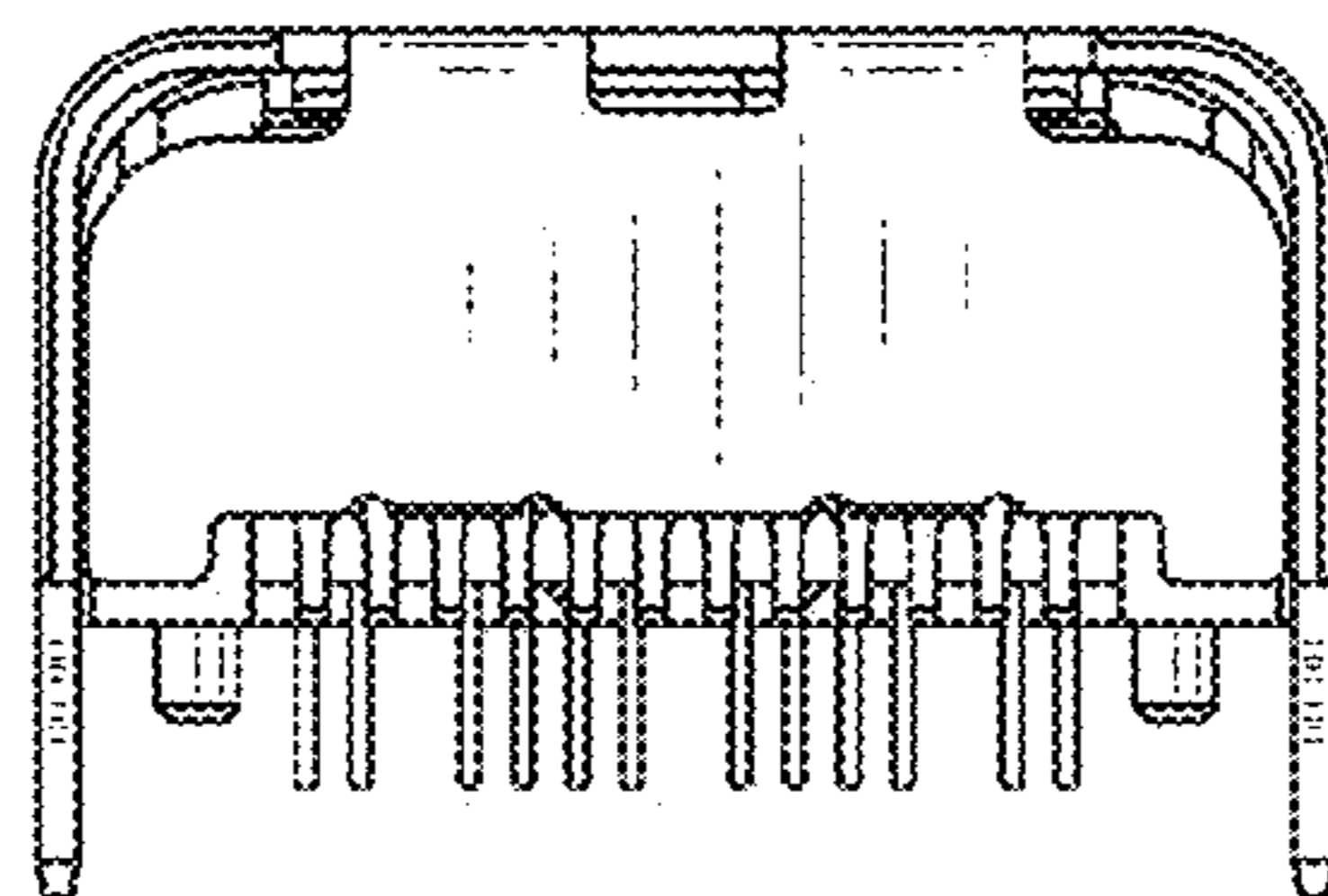


Fig.5

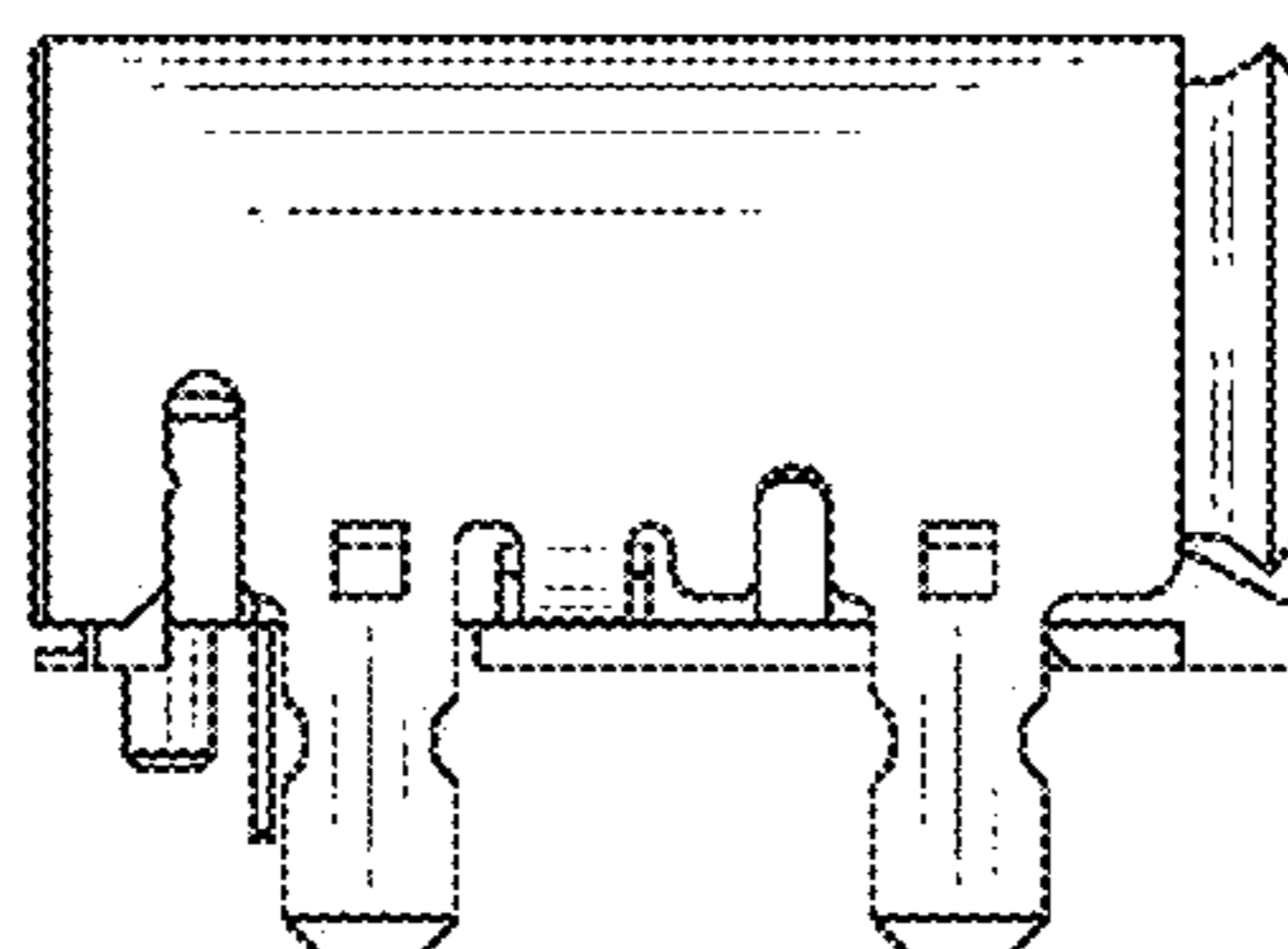


Fig.6

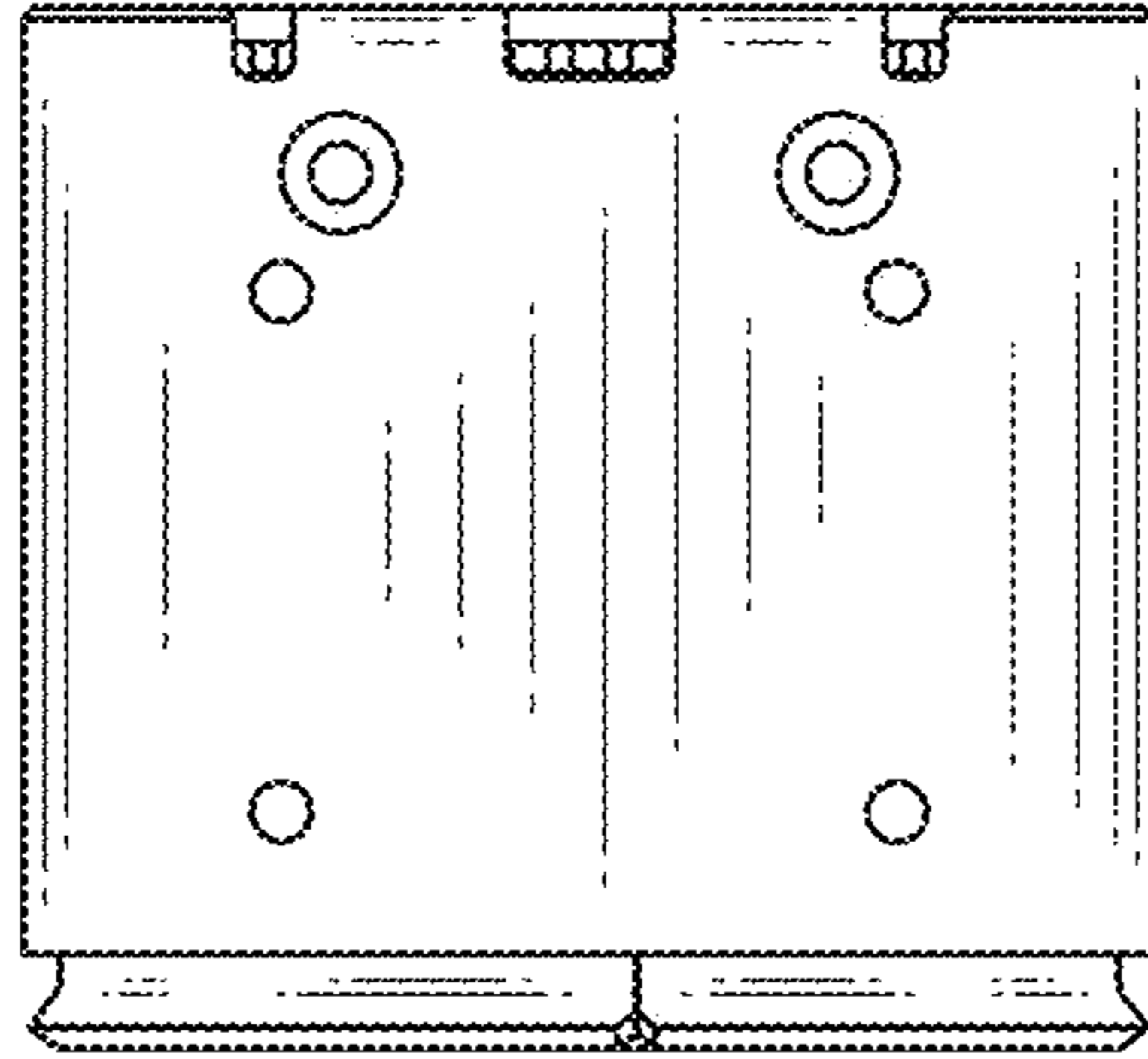


Fig.7

