



US00D907576S

(12) **United States Design Patent**
Cayon et al.

(10) **Patent No.:** **US D907,576 S**

(45) **Date of Patent:** **** Jan. 12, 2021**

(54) **ELECTRIC CONNECTOR**

(71) Applicant: **Black & Decker Inc.**, New Britain, CT (US)

(72) Inventors: **Troy A. Cayon**, Baltimore, MD (US);
Seth M. Robinson, Felton, PA (US);
James J. Kenney, White Marsh, MD (US)

(73) Assignee: **BLACK & DECKER INC.**, New Britain, CT (US)

(**) Term: **15 Years**

(21) Appl. No.: **29/599,845**

(22) Filed: **Jun. 6, 2017**

(51) **LOC (13) Cl.** **13-02**

(52) **U.S. Cl.**
USPC **D13/119; D8/70**

(58) **Field of Classification Search**
USPC D13/102-106, 110, 118-121, 184, 199,
D13/133, 146, 147; D8/70
CPC Y02E 60/12; Y02E 60/122; Y02E 60/124;
Y02E 60/50; H01M 2/02; H01M 2/022;
H01M 2/0202; H01M 2/0207; H01M
2/0212; H01M 2/1061; H01M 2/1022;
H01M 2/1055; H01M 2/1066; H01M
2/105; H01M 2/204; H01M 10/4257;
H01M 10/0436; H01M 10/48; H01R
31/06; H01R 31/065

See application file for complete search history.

(56) **References Cited**

U.S. PATENT DOCUMENTS

5,607,791 A * 3/1997 Garcia H01M 2/1055
429/121
D481,672 S * 11/2003 Niwa D13/103
D549,060 S * 8/2007 Kavovit D8/68

D550,152 S * 9/2007 Okuda D13/103
D640,628 S * 6/2011 Lopano D13/103
D643,809 S * 8/2011 Okuda D13/103
D658,578 S * 5/2012 Davis D13/103
D682,194 S * 5/2013 Jiang D13/103
D685,730 S * 7/2013 Hamm D13/103
D714,722 S * 10/2014 Miller D13/120
D718,705 S * 12/2014 Naksen D13/103
D770,377 S * 11/2016 Kondo D13/103
D785,562 S * 5/2017 Cooper D13/103
D812,555 S * 3/2018 Schoch D13/103
D818,948 S * 5/2018 Waldron D13/103
D826,150 S * 8/2018 Cayon D13/103
D849,681 S * 5/2019 Howell D13/103
D892,586 S * 8/2020 Matteo D8/70
2008/0090452 A1 * 4/2008 Rose H01R 43/00
439/500

(Continued)

Primary Examiner — Rosemary K Tarcza

(74) *Attorney, Agent, or Firm* — Adan Ayala

(57) **CLAIM**

The ornamental design for an electric connector, as shown and described.

DESCRIPTION

FIG. 1 is a rear perspective view of an electric connector according to the invention.

FIG. 2 is a front view of the electric connector of FIG. 1.

FIG. 3 is a rear view of the electric connector of FIG. 1.

FIG. 4 is a left side view of the electric connector of FIG. 1.

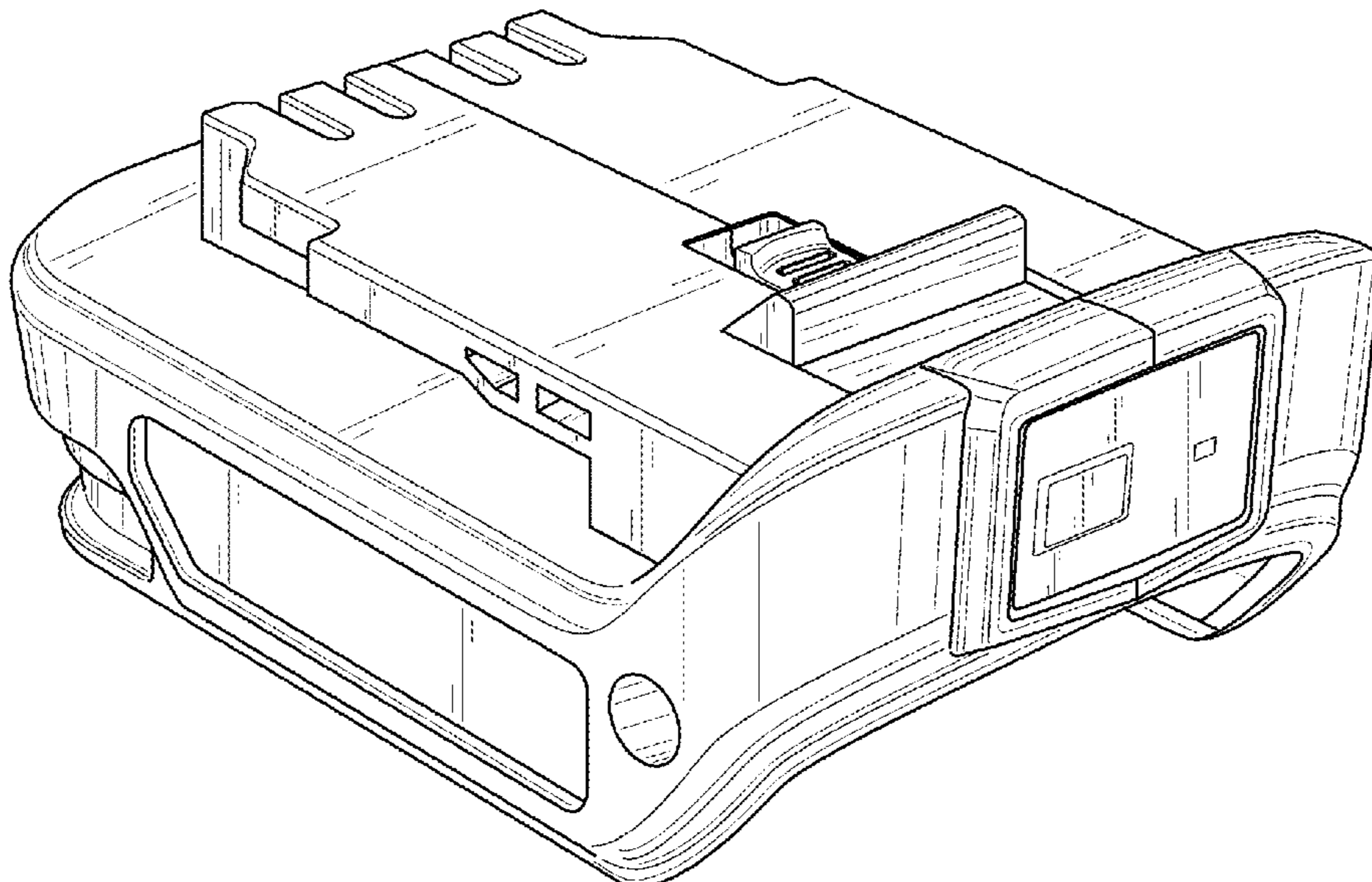
FIG. 5 is a right side view of the electric connector of FIG. 1.

FIG. 6 is a top plan view of the electric connector of FIG. 1; and,

FIG. 7 is a bottom plan view of the electric connector of FIG. 1.

The broken lines shown in the drawings are included for the purpose of illustrating portions of the article which form no part of the claimed design.

1 Claim, 5 Drawing Sheets



(56)

References Cited

U.S. PATENT DOCUMENTS

2013/0051104 A1* 2/2013 Nakano H02J 7/00047
363/131
2013/0130552 A1* 5/2013 Ota B25F 5/02
439/620.21
2020/0235537 A1* 7/2020 Lin H01M 10/425

* cited by examiner

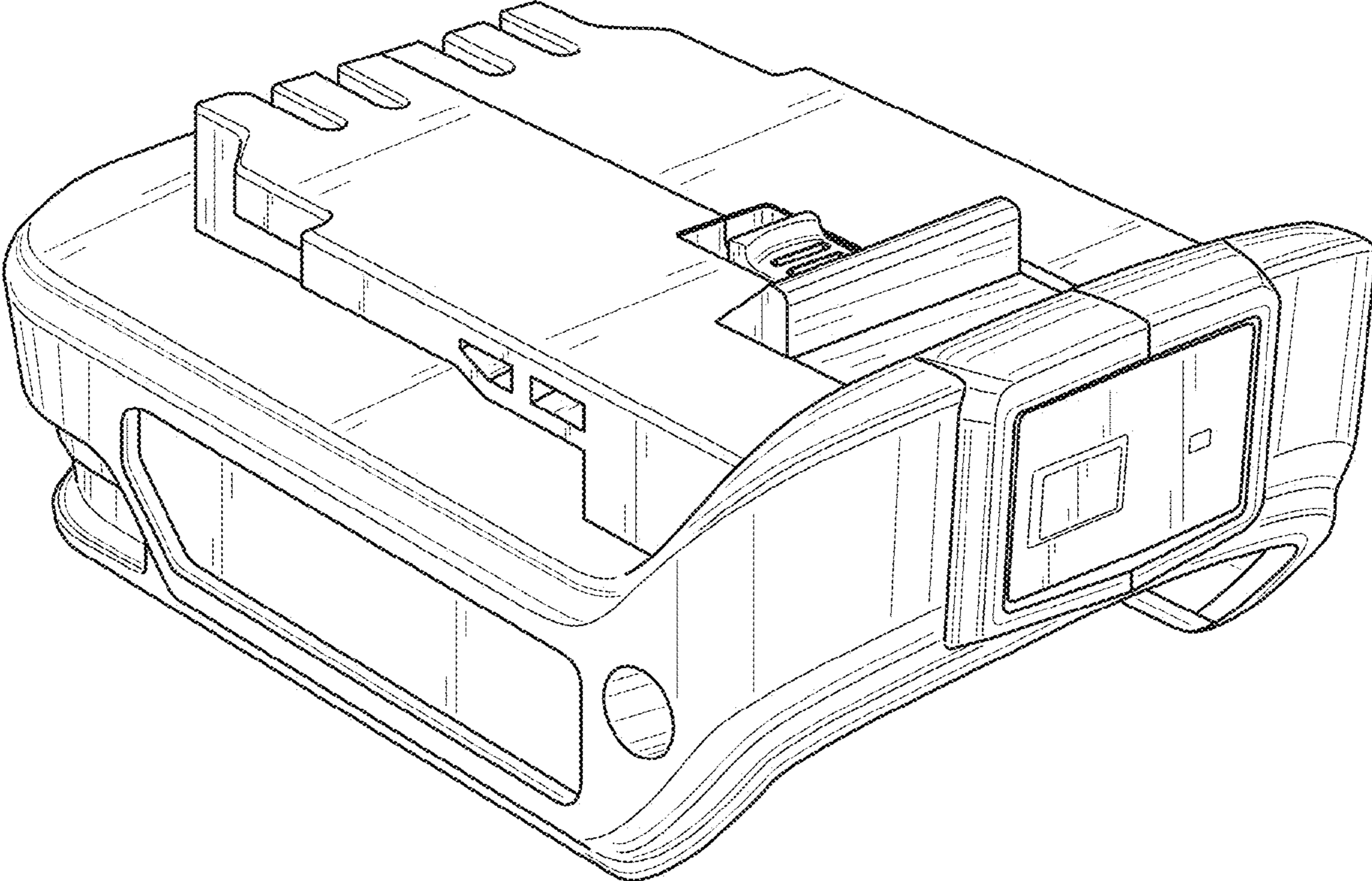


FIG. 1

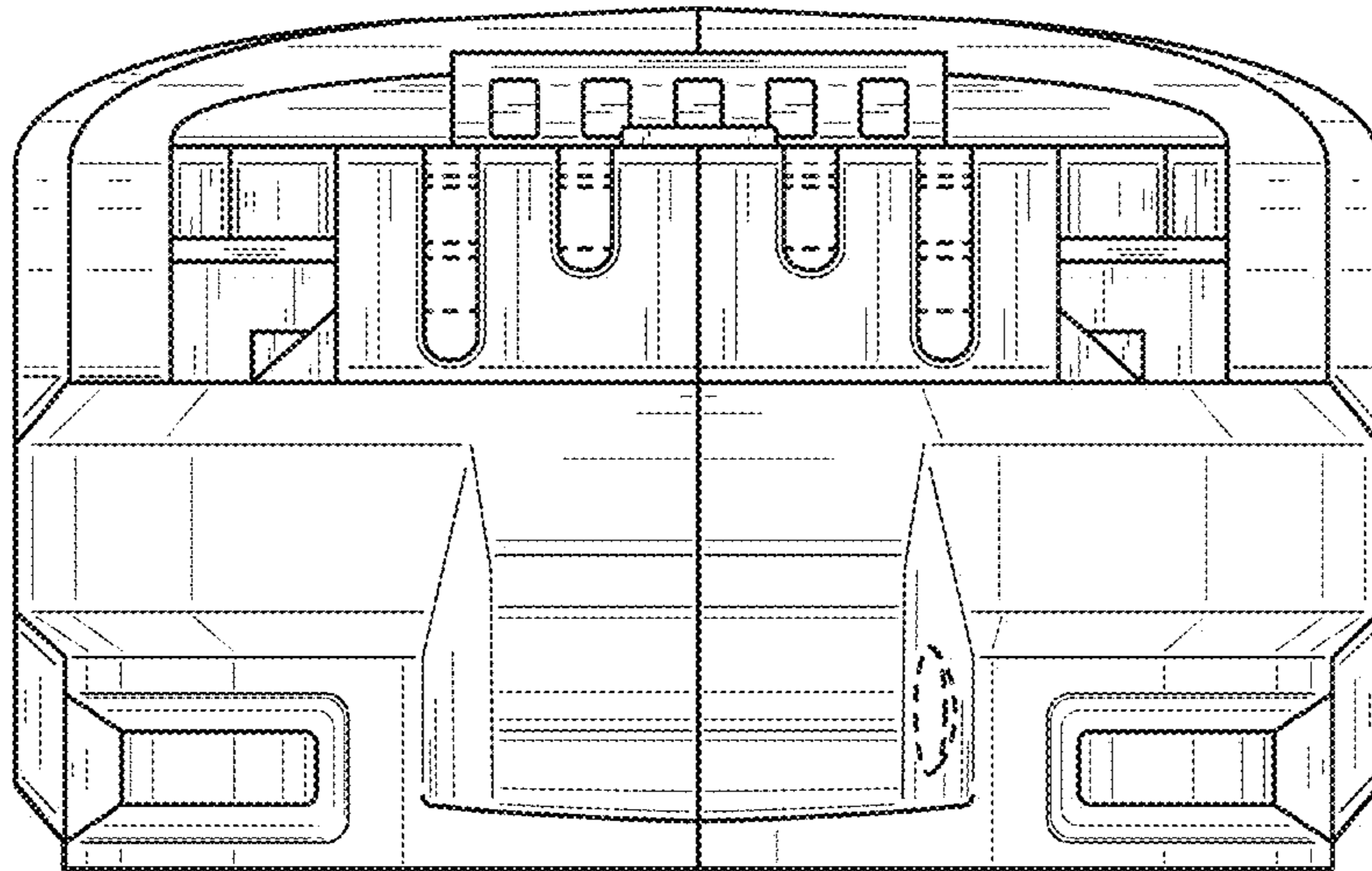


FIG. 2

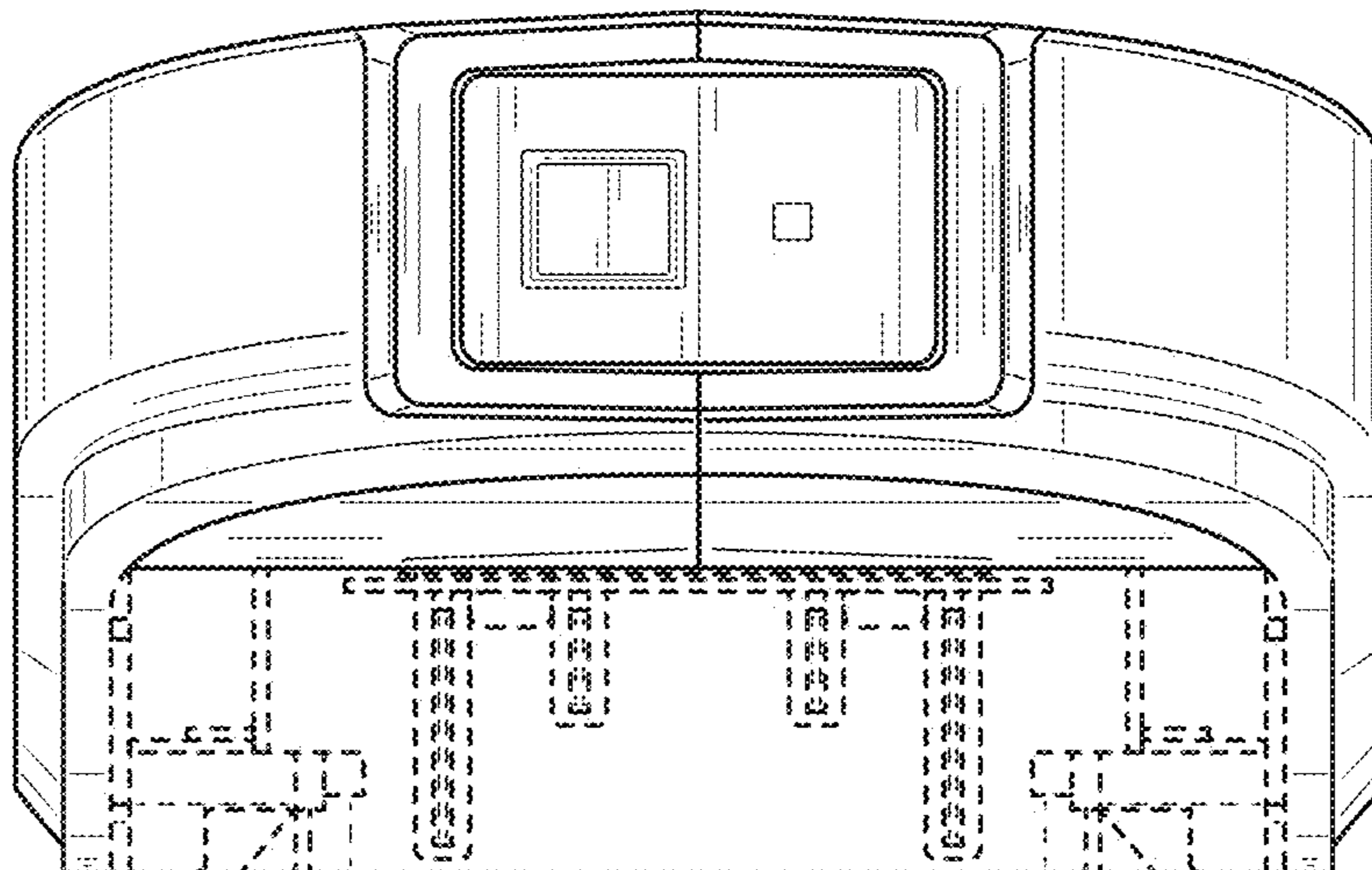


FIG. 3

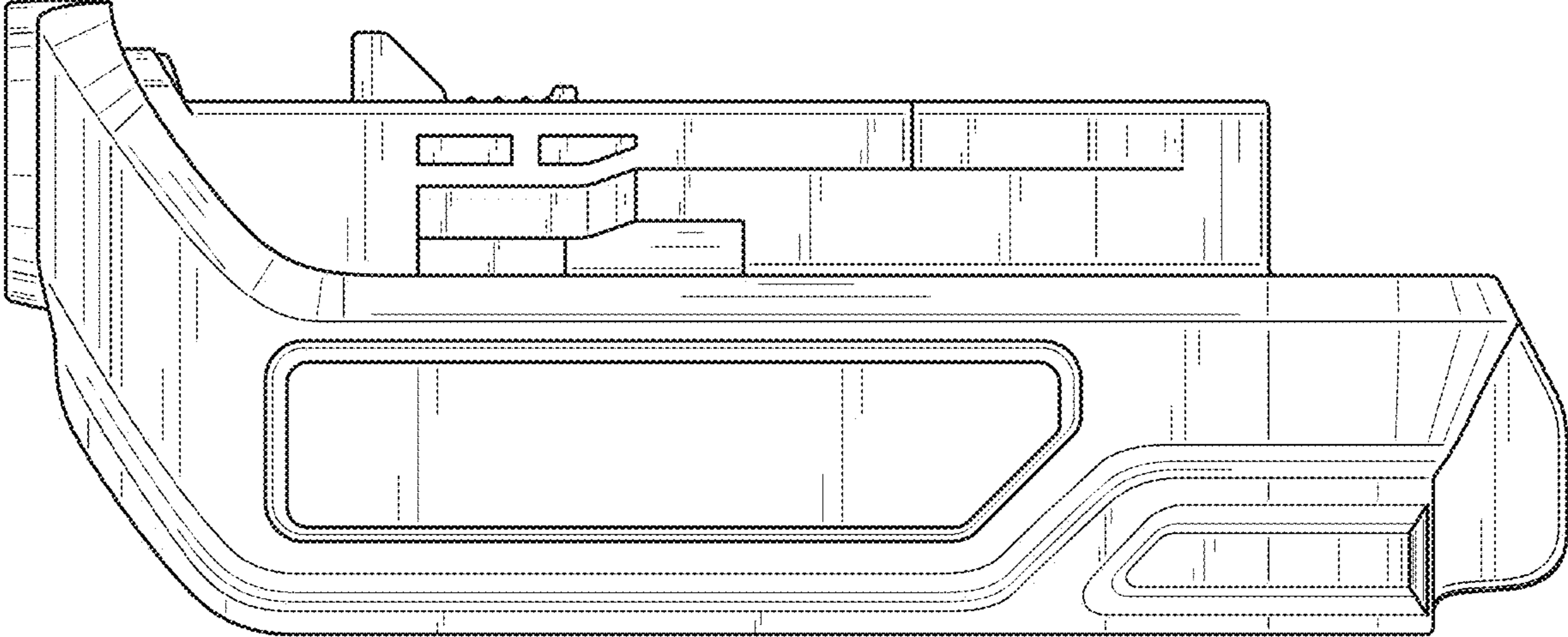


FIG. 4

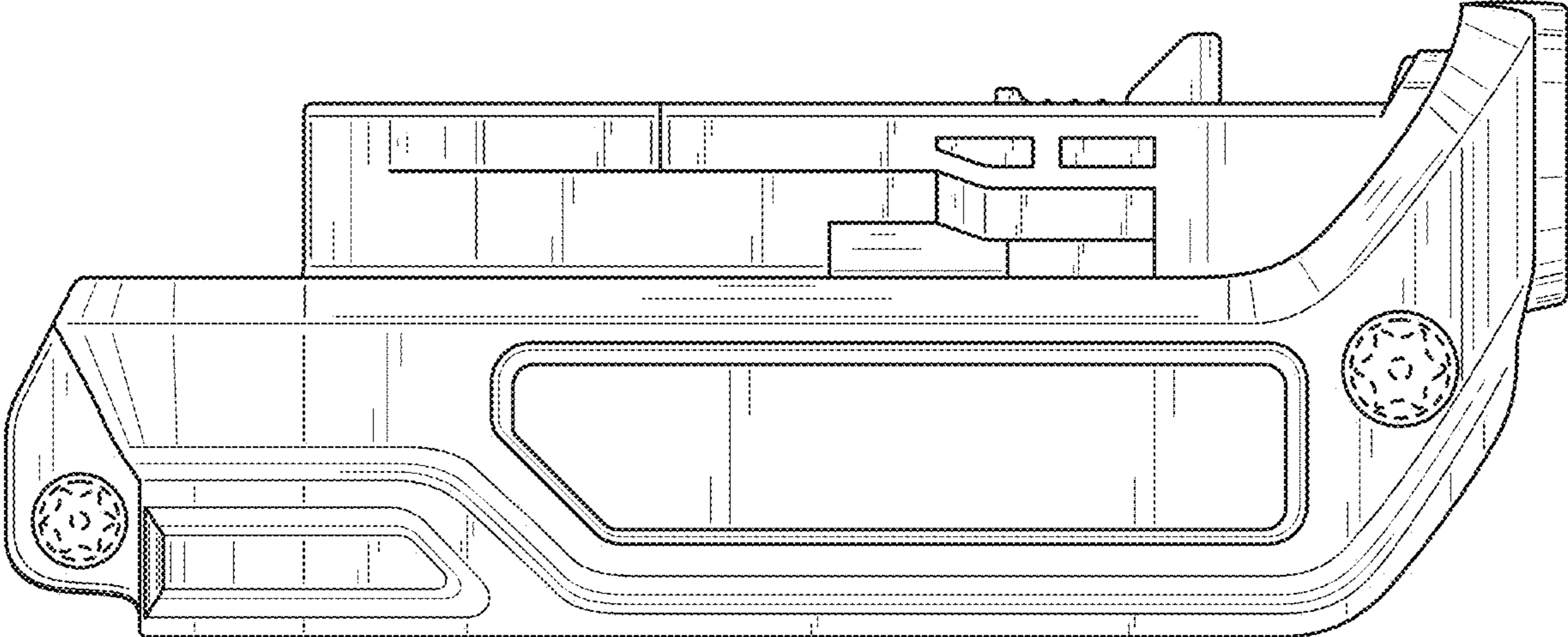


FIG. 5

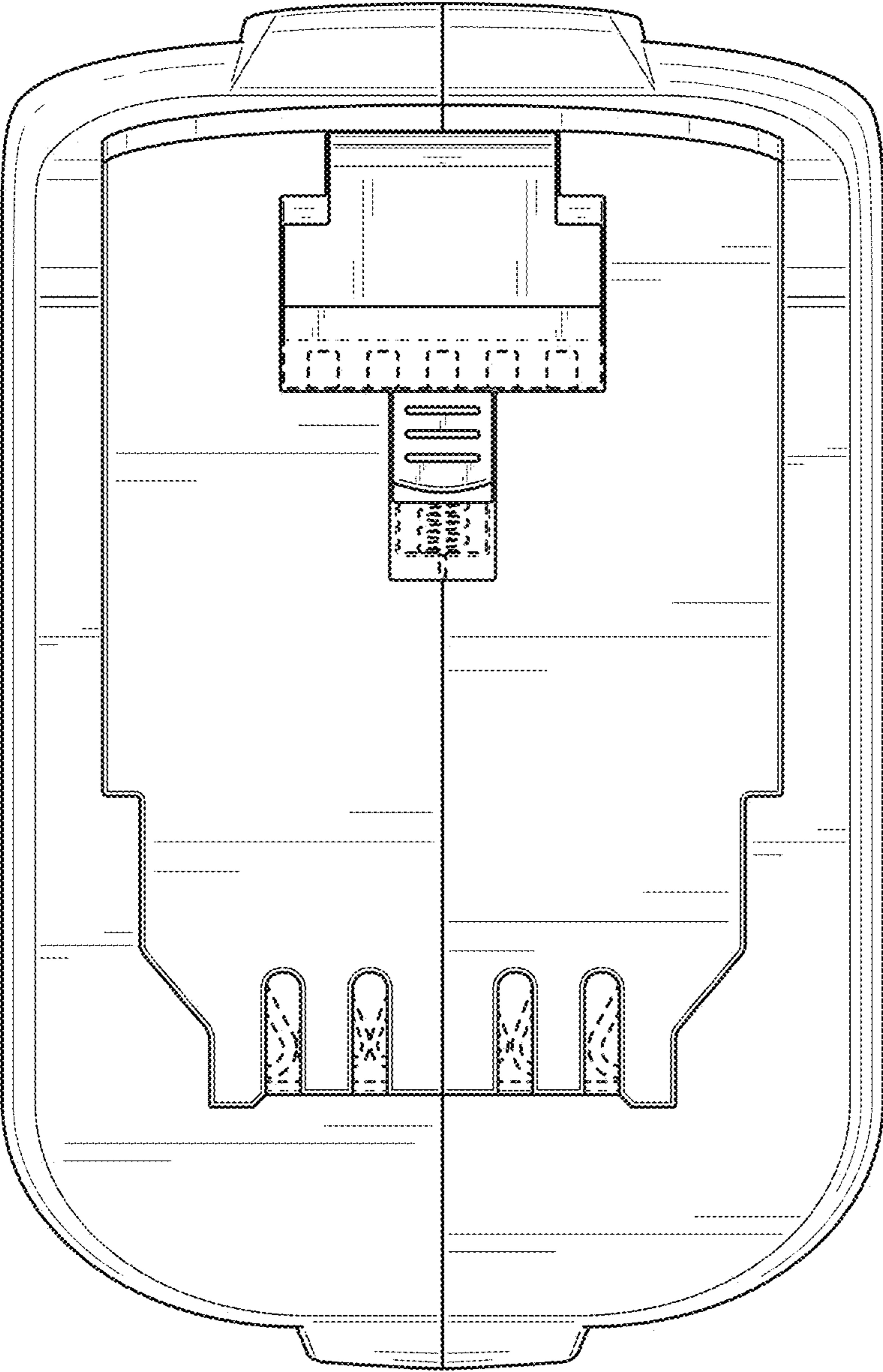


FIG. 6

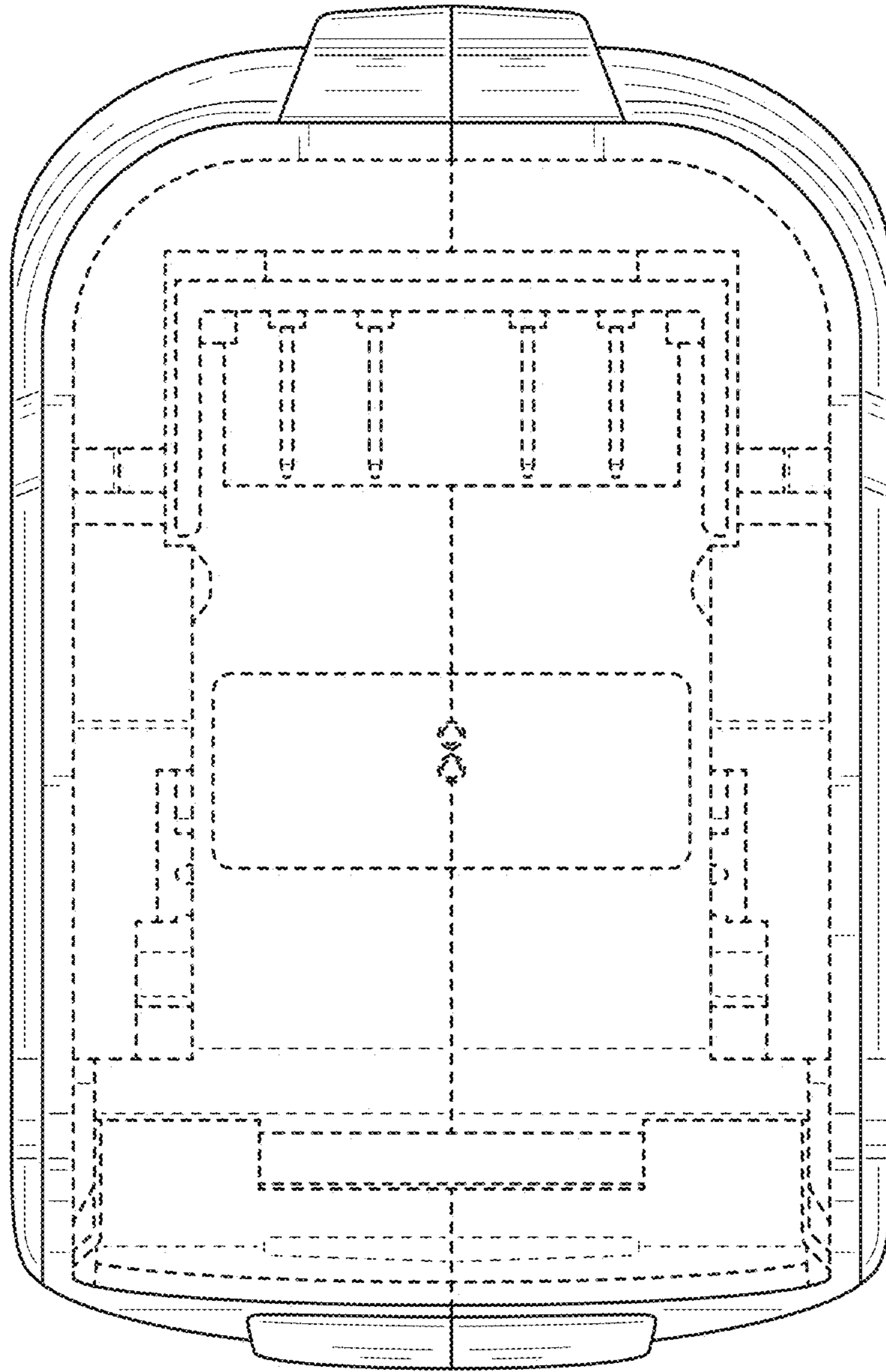


FIG. 7