

US00D907575S

(12) **United States Design Patent**  
**Xu**

(10) **Patent No.:** **US D907,575 S**  
(45) **Date of Patent:** **\*\* Jan. 12, 2021**

(54) **WIRELESS CHARGER**

(71) Applicant: **Kai Xu**, Guangong (CN)  
(72) Inventor: **Kai Xu**, Guangong (CN)  
(73) Assignee: **Shenzhen Kaixinghui Technology Co., Ltd.**, Shenzhen (CN)  
(\*\*) Term: **15 Years**

(21) Appl. No.: **29/688,232**  
(22) Filed: **Apr. 19, 2019**  
(51) **LOC (13) Cl.** ..... **13-02**  
(52) **U.S. Cl.**  
USPC ..... **D13/108**  
(58) **Field of Classification Search**  
USPC ..... D13/107-110, 118-119, 184; D14/251, D14/253, 432, 434  
CPC ..... Y02E 60/12; Y02T 90/14; Y02T 90/122; Y02T 90/128; Y02T 90/163; H02J 7/025; H02J 7/0042; H02J 7/0044; H02J 7/0045; H02J 7/0013; H02J 7/0003; H01F 38/14; H01R 13/6675; H01M 2/1022; H01M 2/1055; H01M 10/44; H01M 10/46; H01M 10/425; B60L 11/182  
See application file for complete search history.

(56) **References Cited**

**U.S. PATENT DOCUMENTS**

D639,301 S \* 6/2011 Anderson ..... D13/107  
D688,235 S \* 8/2013 Song ..... D14/253

D719,097 S \* 12/2014 Lum ..... D13/139.1  
D772,812 S \* 11/2016 Choe ..... D13/108  
D812,564 S \* 3/2018 Feng ..... D13/108  
D845,896 S \* 4/2019 Hu ..... D13/108  
D859,308 S \* 9/2019 Connell ..... D13/108  
D860,132 S \* 9/2019 Fu ..... D13/108  
D867,282 S \* 11/2019 Feng ..... D13/108  
D868,691 S \* 12/2019 Sun ..... D13/108  
D871,332 S \* 12/2019 Liao ..... D13/108  
D875,677 S \* 2/2020 Shi ..... D13/108  
D883,924 S \* 5/2020 Chen ..... D13/108

\* cited by examiner

*Primary Examiner* — Nathaniel D. Buckner

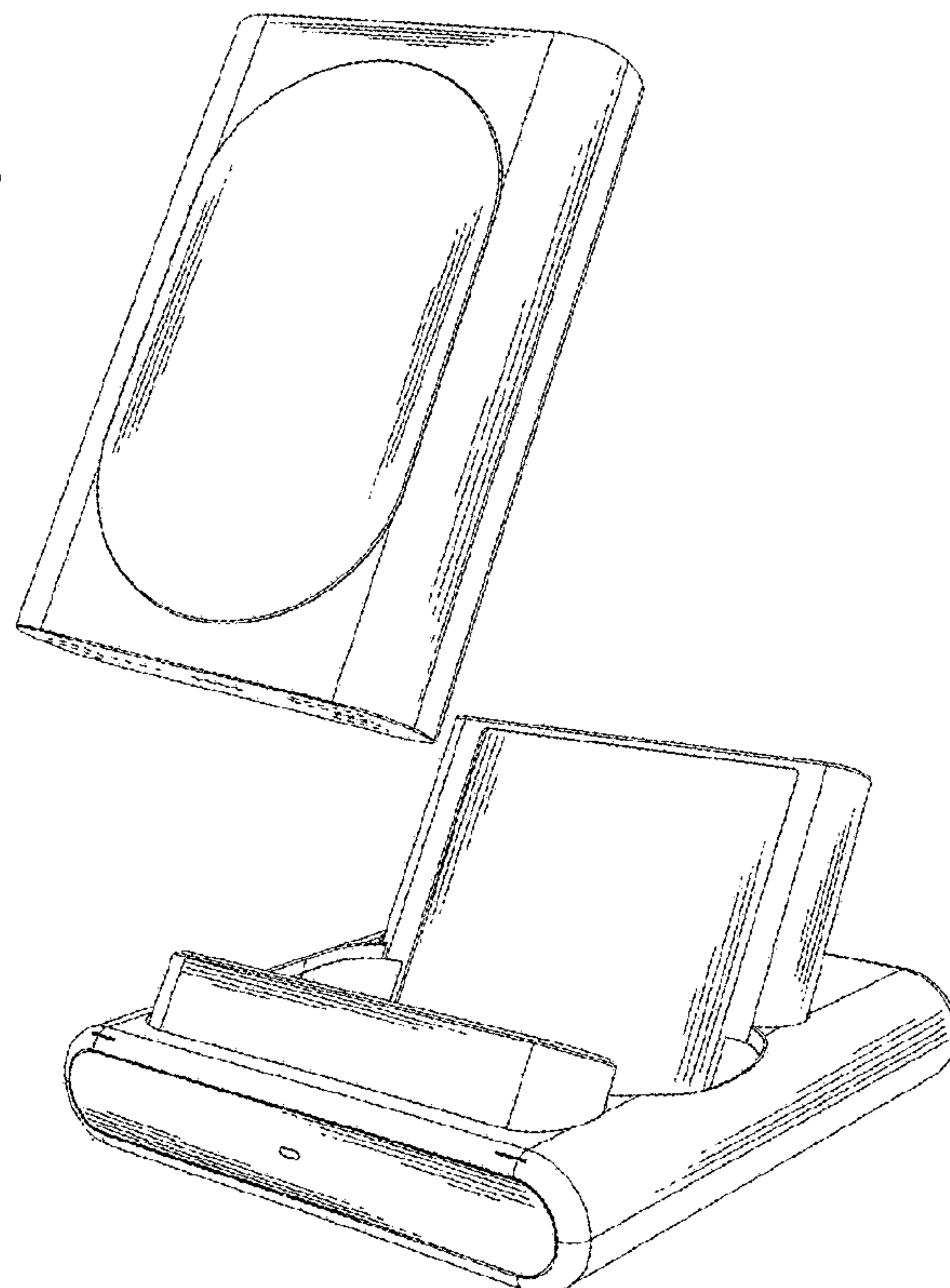
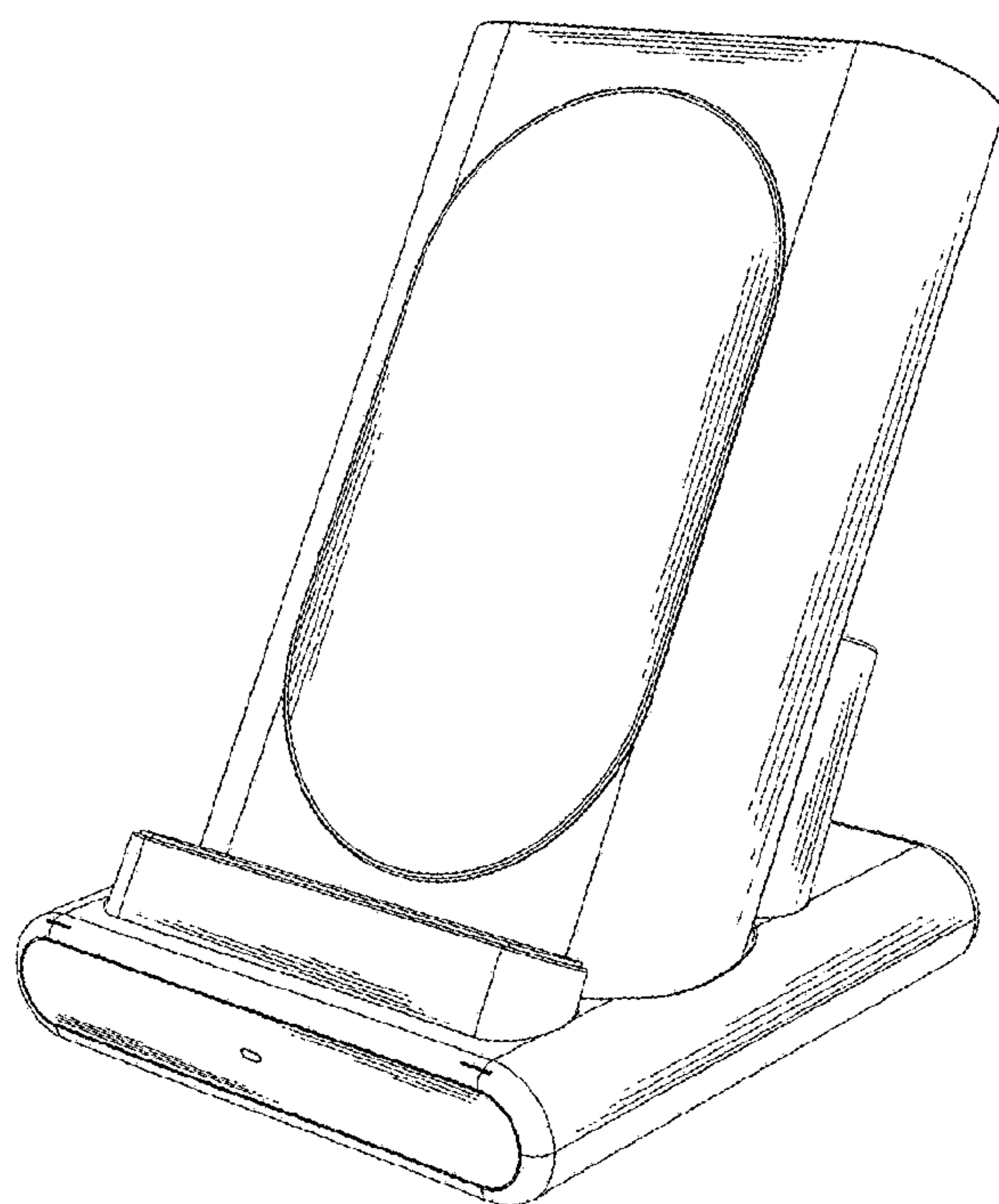
(57) **CLAIM**

I claim the ornamental design for the wireless charger, as shown and described.

**DESCRIPTION**

FIG. 1 is a perspective view of a wireless charger showing my new design;  
FIG. 2 is a front elevational view thereof;  
FIG. 3 is a rear elevational view thereof;  
FIG. 4 is a left side elevational view thereof;  
FIG. 5 is a right side elevational view thereof;  
FIG. 6 is a top plan view thereof;  
FIG. 7 is a bottom plan view thereof; and,  
FIG. 8 is a perspective view thereof, shown in an alternate configuration of use.  
The broken lines in the drawings depict portions of the wireless charger that form no part of the claimed design.

**1 Claim, 8 Drawing Sheets**



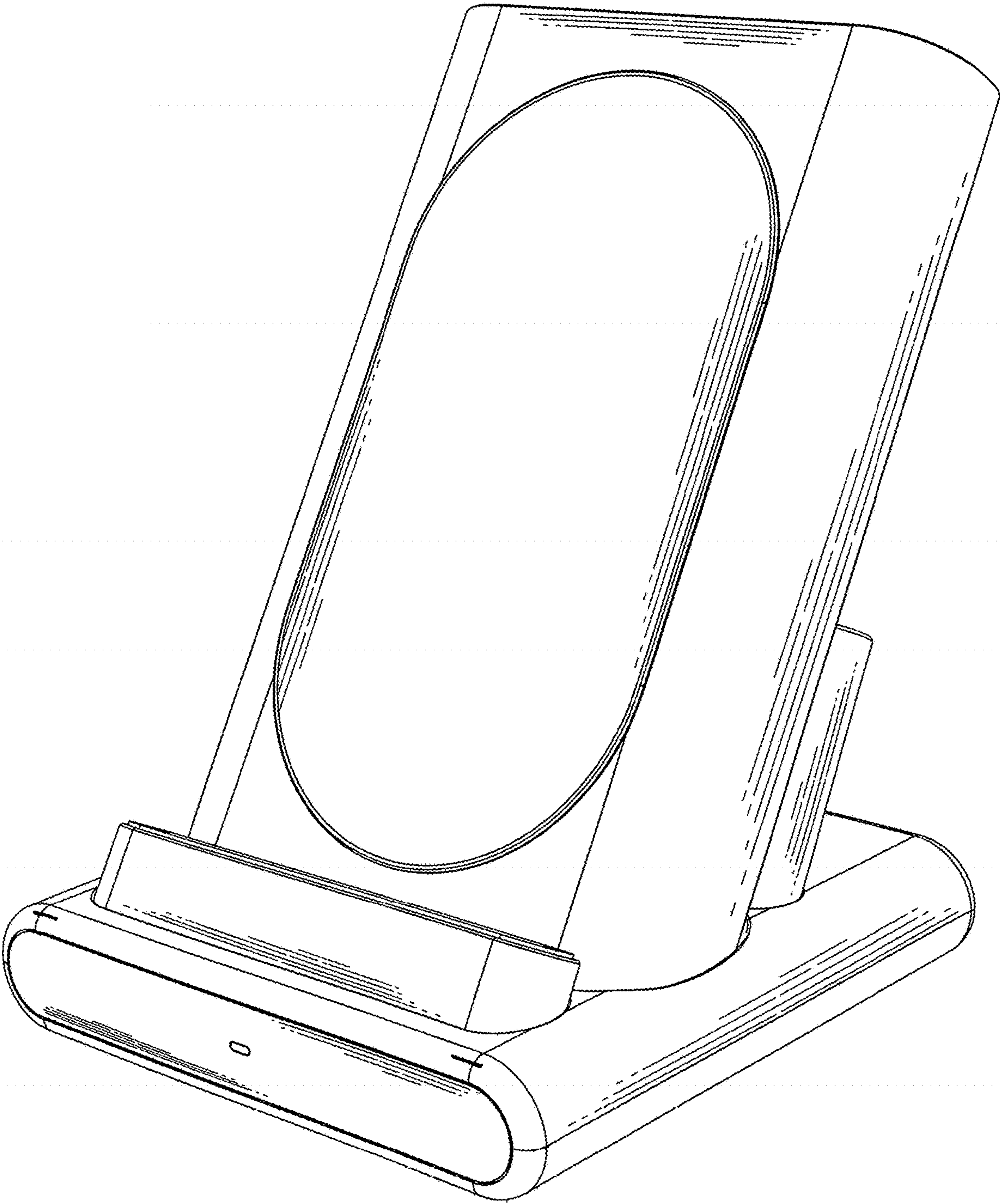


FIG. 1

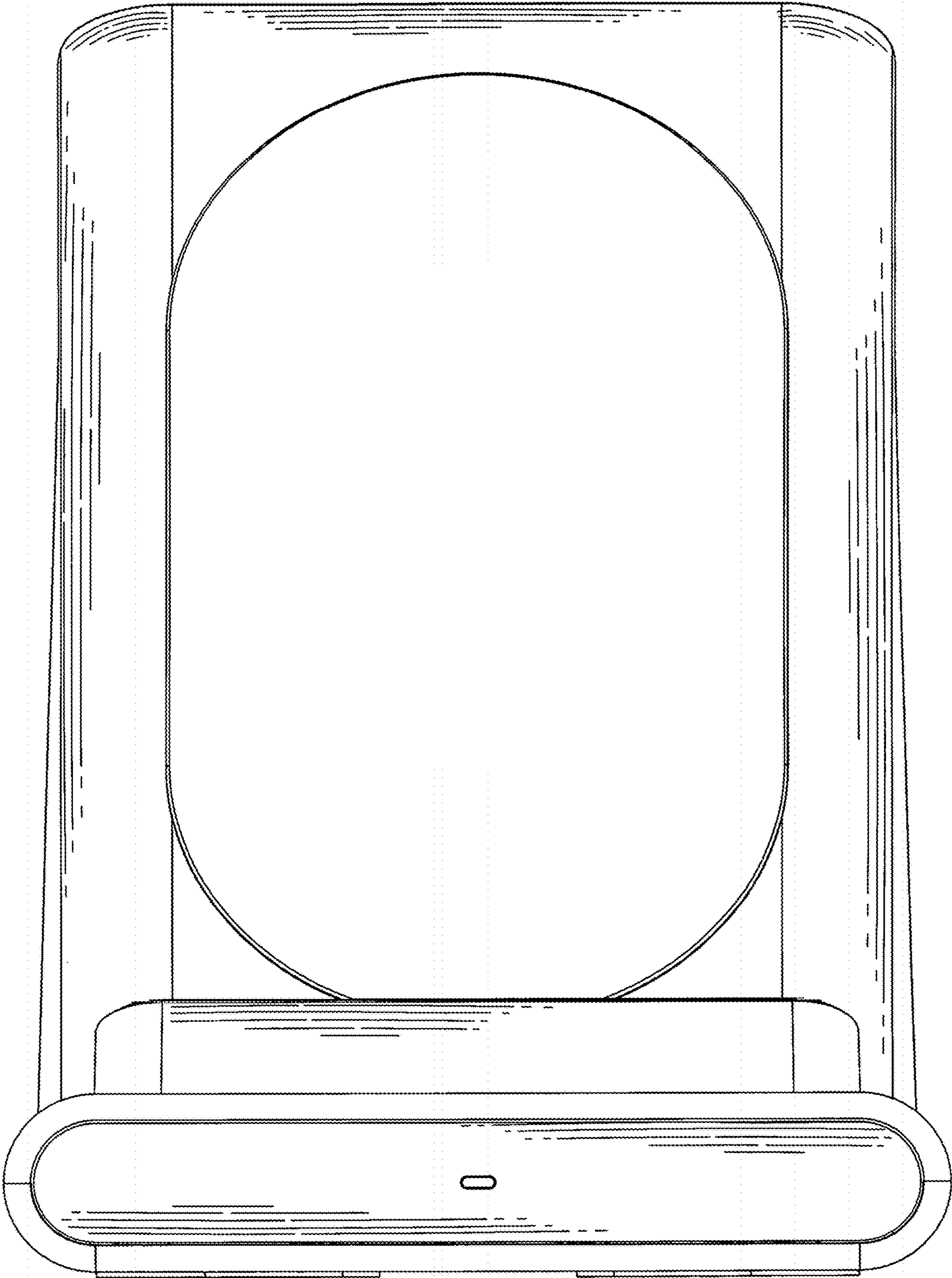


FIG. 2



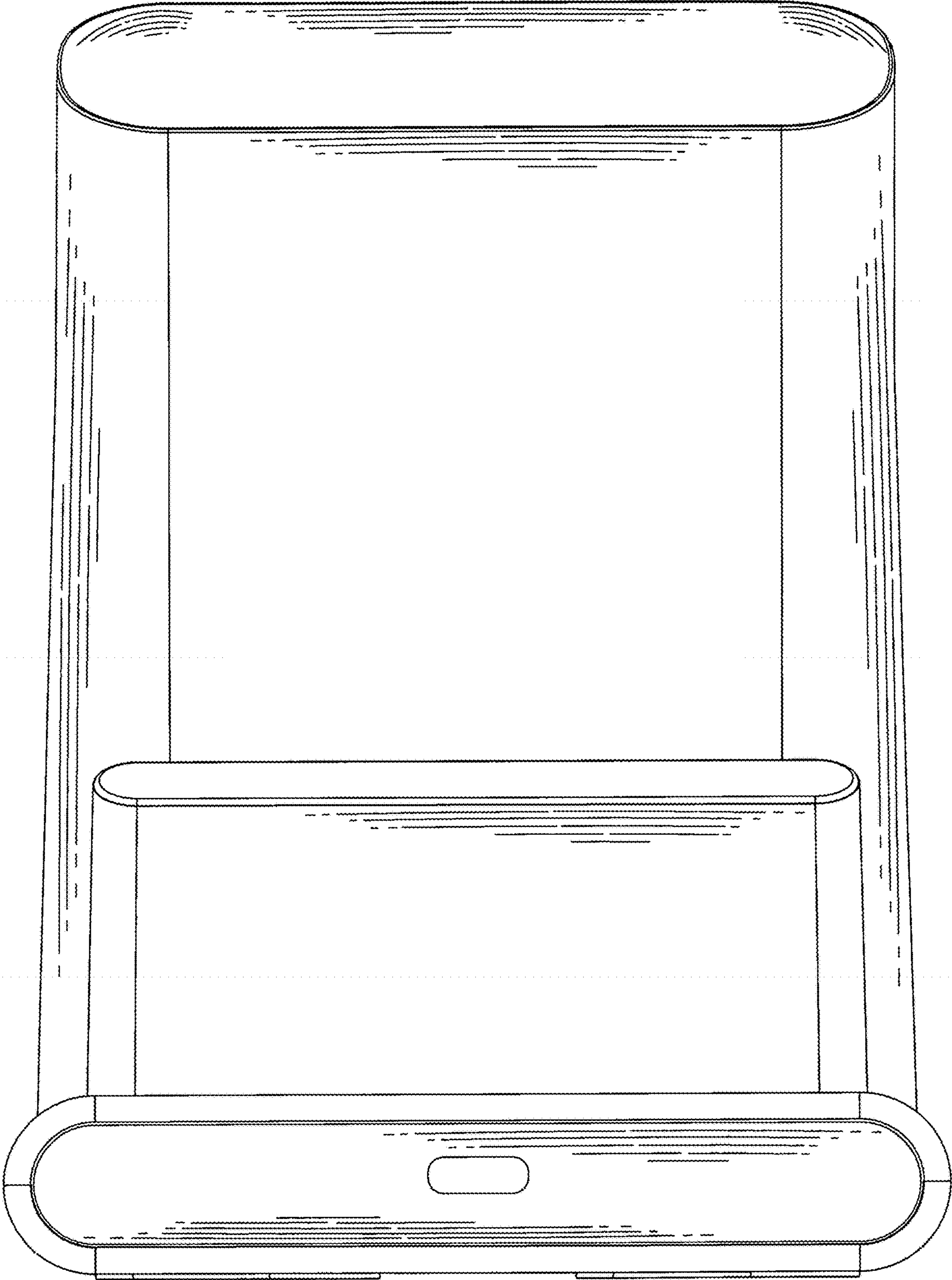


FIG. 3

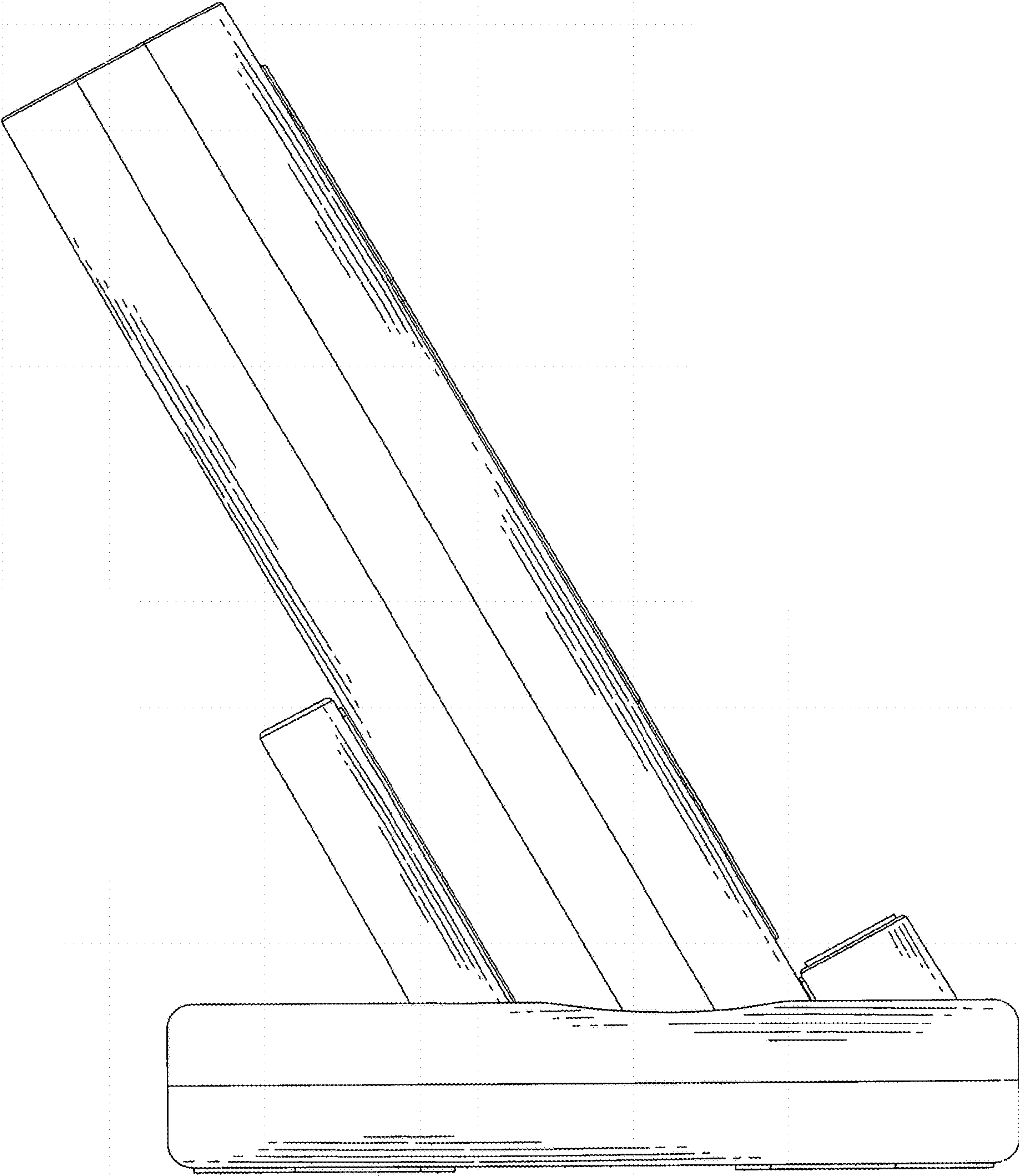


FIG. 4

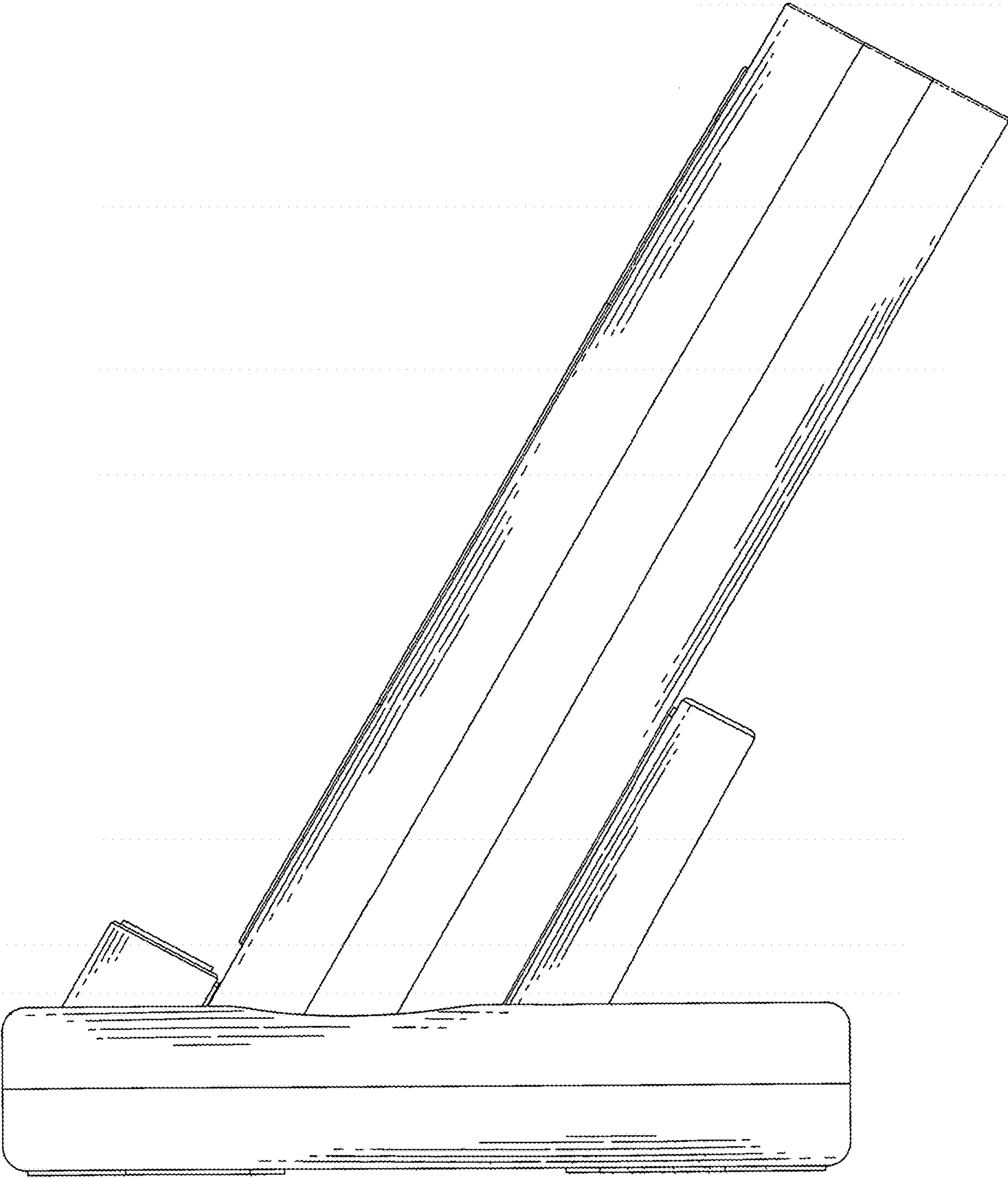


FIG. 5

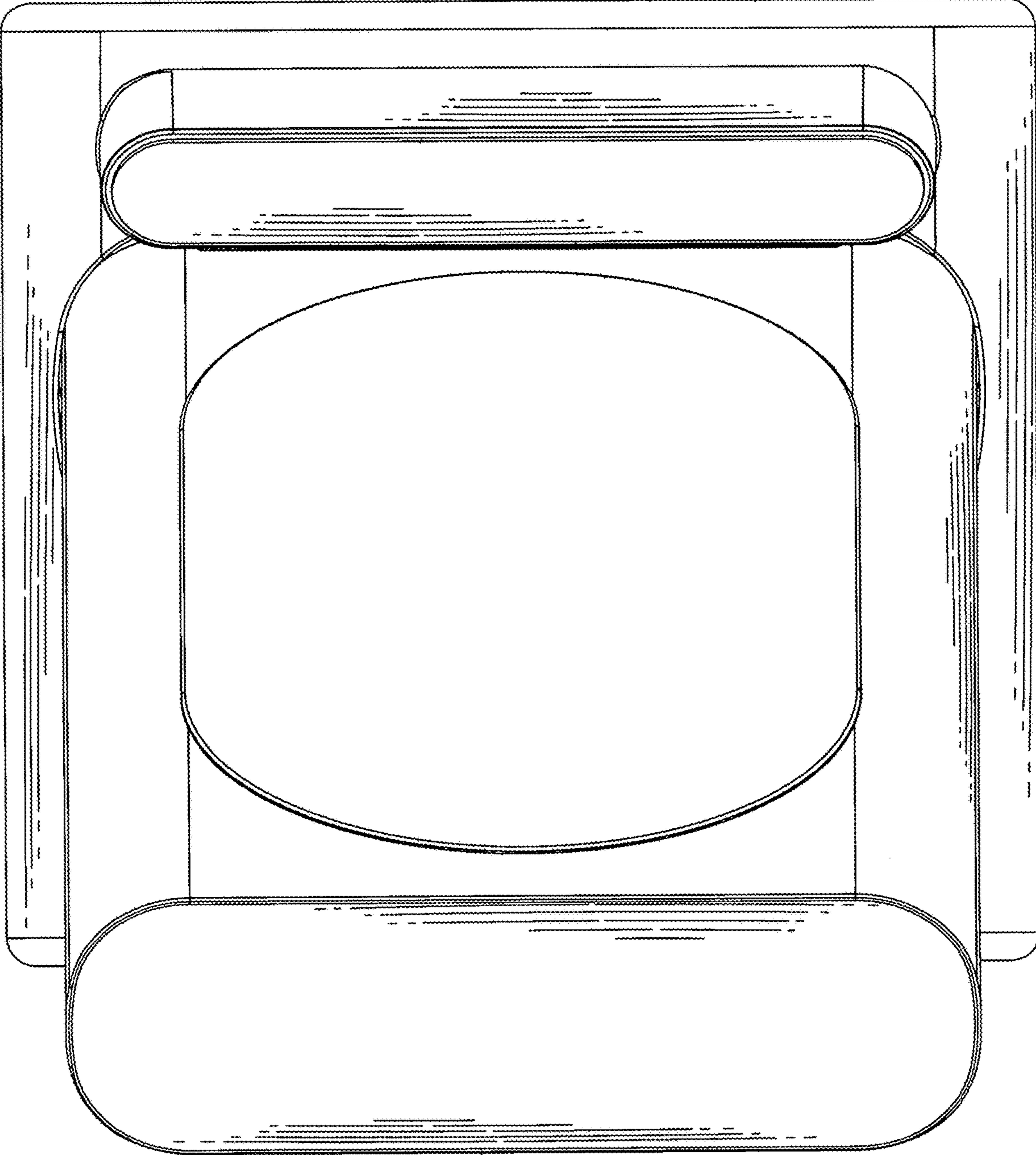


FIG. 6



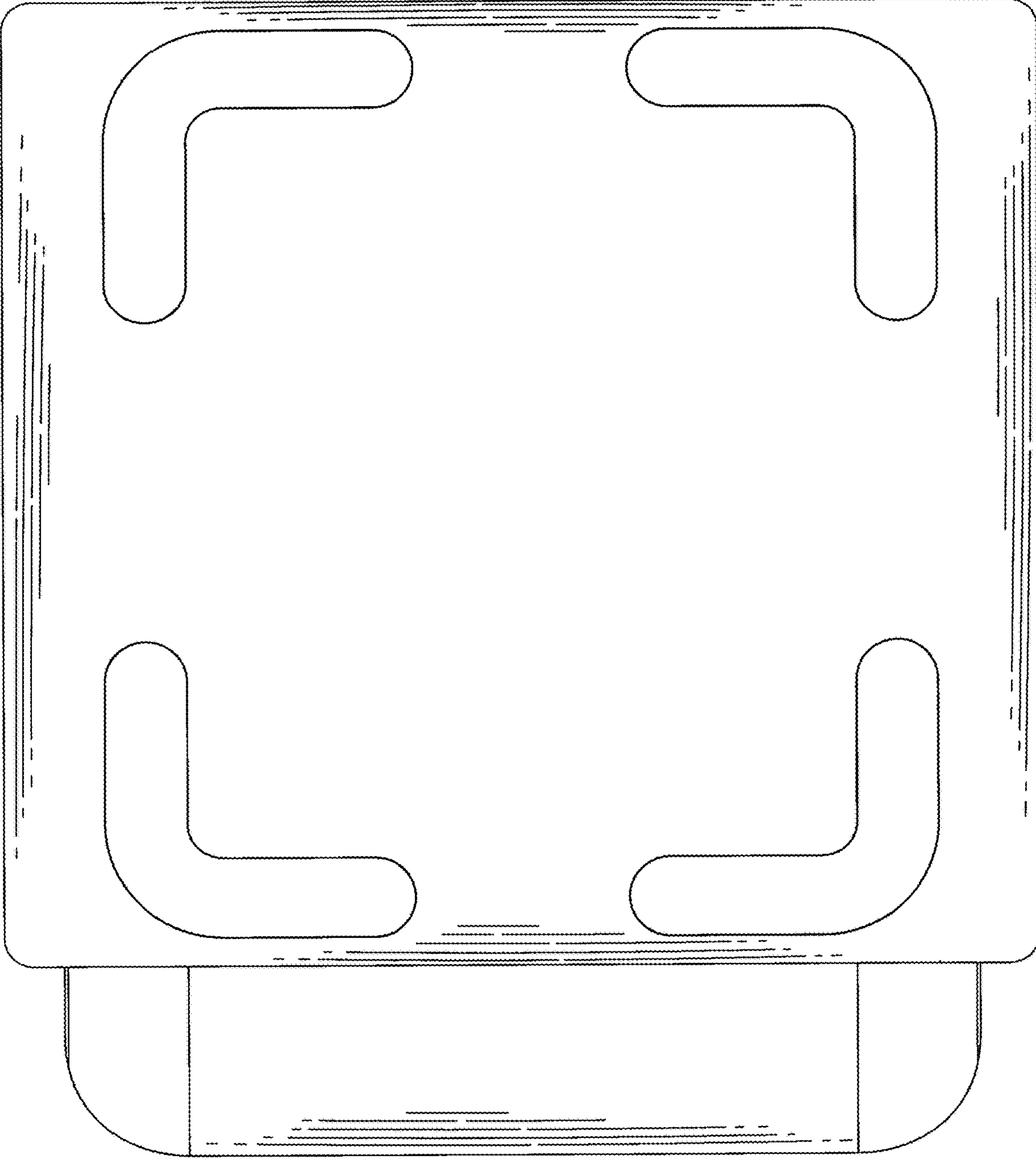


FIG. 7



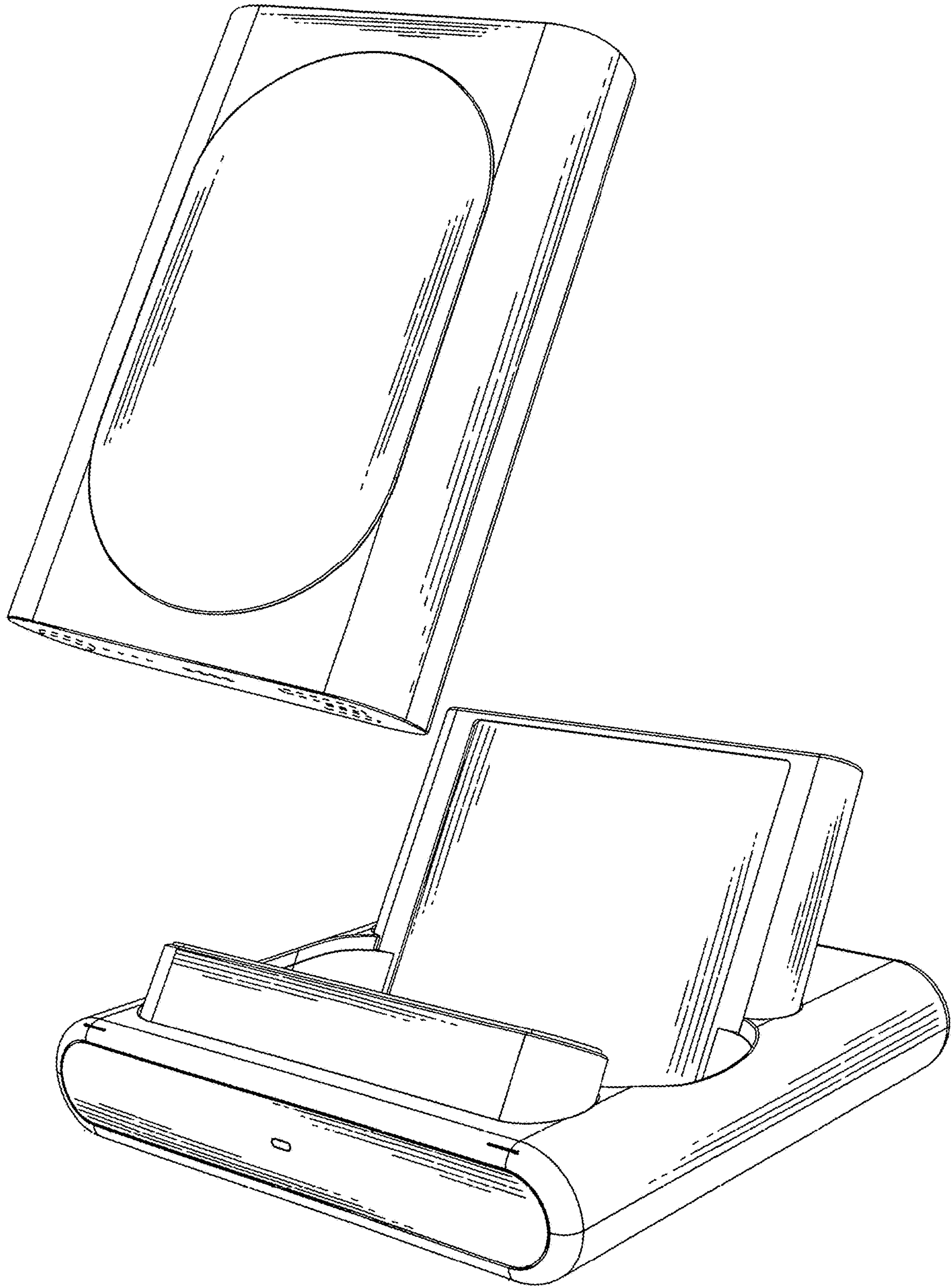


FIG. 8