



US00D907573S

(12) **United States Design Patent**
Nie et al.

(10) **Patent No.:** **US D907,573 S**
(45) **Date of Patent:** **** Jan. 12, 2021**

(54) **ACCELERATION SENSOR MAGNETIC MOUNTING BASE**

(71) Applicant: **FATRI (XIAMEN) TECHNOLOGIES CO., LTD.**, Xiamen (CN)

(72) Inventors: **Yongzhong Nie**, Xiamen (CN);
Tingfang Zeng, Xiamen (CN)

(73) Assignee: **FATRI UNITED TESTING & CONTROL (QUANZHOU) TECHNOLOGIES CO., LTD.**,
Quanzhou (CN)

(**) Term: **15 Years**

(21) Appl. No.: **29/666,899**

(22) Filed: **Oct. 17, 2018**

(30) **Foreign Application Priority Data**

May 11, 2018 (CN) 2018 3 0214864

(51) **LOC (13) Cl.** **13-02**

(52) **U.S. Cl.**

USPC **D13/103; D14/253**

(58) **Field of Classification Search**

USPC D13/102–110, 118–119, 184, 199, 154,
D13/147, 133, 153, 146; D14/251, 253,
D14/356, 432; D8/349, 354, 382

CPC Y02E 60/12; Y02T 90/14; Y02T 90/122;
Y02T 90/128; Y02T 90/163; H02J 7/025;
H02J 7/0042; H02J 7/0044; H02J 7/0045;
H02J 7/0003; H01F 38/14; H01F 7/02;
H01R 13/6675; H01R 13/639; H01M
2/1022; H01M 2/1055; H01M 10/44;
H01M 10/46; H01M 10/425; B60L
11/182

See application file for complete search history.

(56) **References Cited**

U.S. PATENT DOCUMENTS

3,591,861 A * 7/1971 Sonderegger G01L 1/16
310/344

3,727,084 A * 4/1973 Epstein G01P 15/0915
310/329

4,075,525 A * 2/1978 Birchall G01L 1/16
310/329
4,314,623 A * 2/1982 Kurokawa G12B 3/00
188/267
4,432,441 A * 2/1984 Kurokawa F16F 6/005
188/267
4,941,243 A * 7/1990 Cleveland G01P 15/0915
29/25.35
D454,703 S * 3/2002 Doeing D19/90
D709,065 S * 7/2014 Guyot D14/253
D723,021 S * 2/2015 Guyot D14/253
9,022,711 B2 * 5/2015 Wu F16B 5/0241
248/562

(Continued)

Primary Examiner — Catherine S Posthauer

Assistant Examiner — Alison M Ofstun

(74) *Attorney, Agent, or Firm* — Schmeiser, Olsen &
Watts, LLP

(57) **CLAIM**

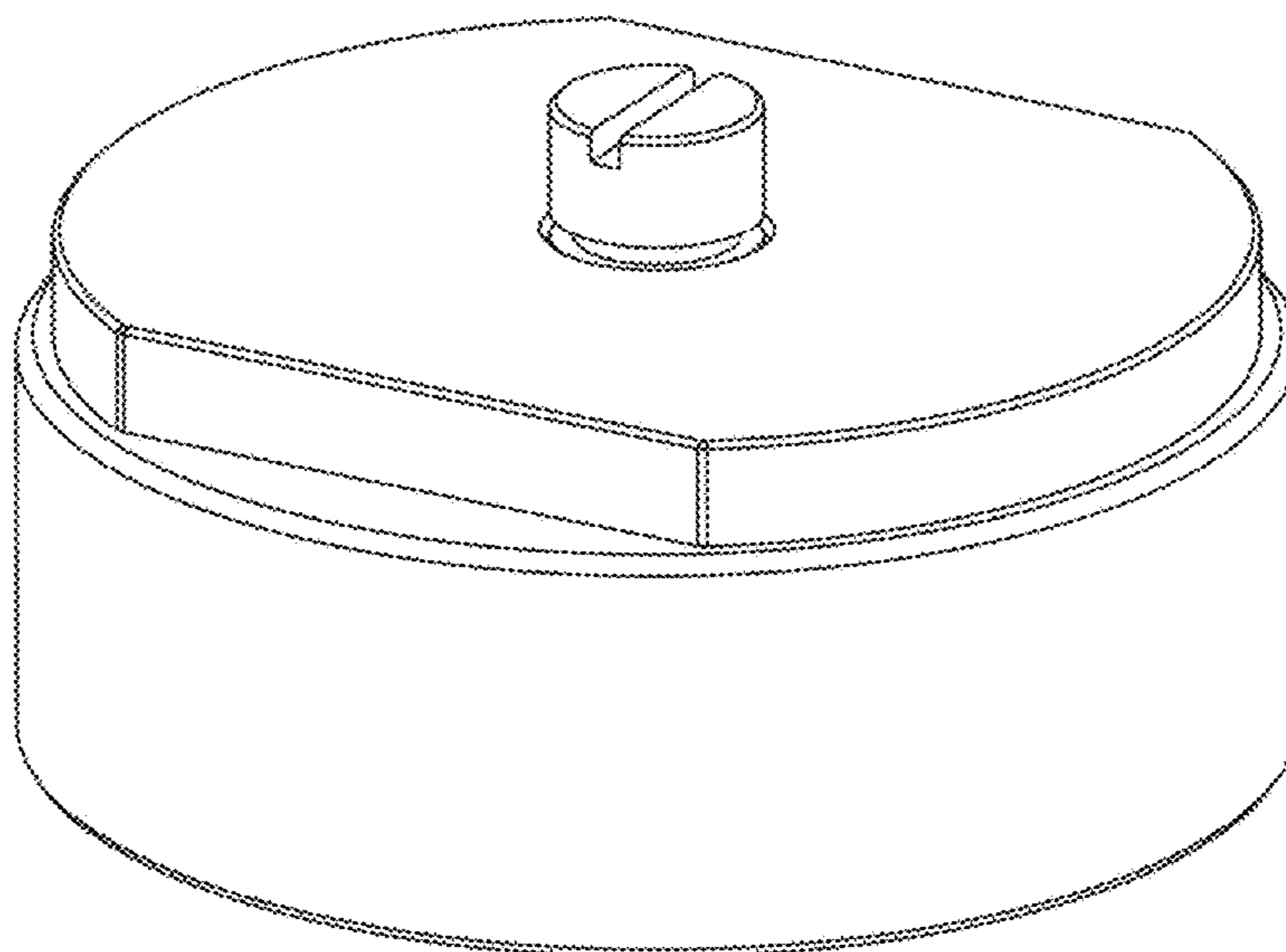
The ornamental design for an acceleration sensor magnetic mounting base, as shown and described.

DESCRIPTION

FIG. 1 is a top view of an acceleration sensor magnetic mounting base;
FIG. 2 is a front view thereof;
FIG. 3 is a rear view thereof;
FIG. 4 is a left-side view thereof;
FIG. 5 is a right-side view thereof;
FIG. 6 is a perspective view thereof; and,
FIG. 7 is a bottom view thereof.

In the drawings, the broken lines represent portions of the article which form no part of the claimed design.

1 Claim, 7 Drawing Sheets



(56)

References Cited

U.S. PATENT DOCUMENTS

D763,244 S * 8/2016 McGarry D14/253
D883,827 S * 5/2020 Nie D10/96
2017/0242049 A1* 8/2017 Vermelle F02F 7/0021
2018/0370279 A1* 12/2018 Reboredo Losada ... B61C 15/04
2020/0056975 A1* 2/2020 Nie G01N 33/2858
2020/0058426 A1* 2/2020 Nie H02N 15/00
2020/0143970 A1* 5/2020 Ishikawa F15B 13/0433

* cited by examiner

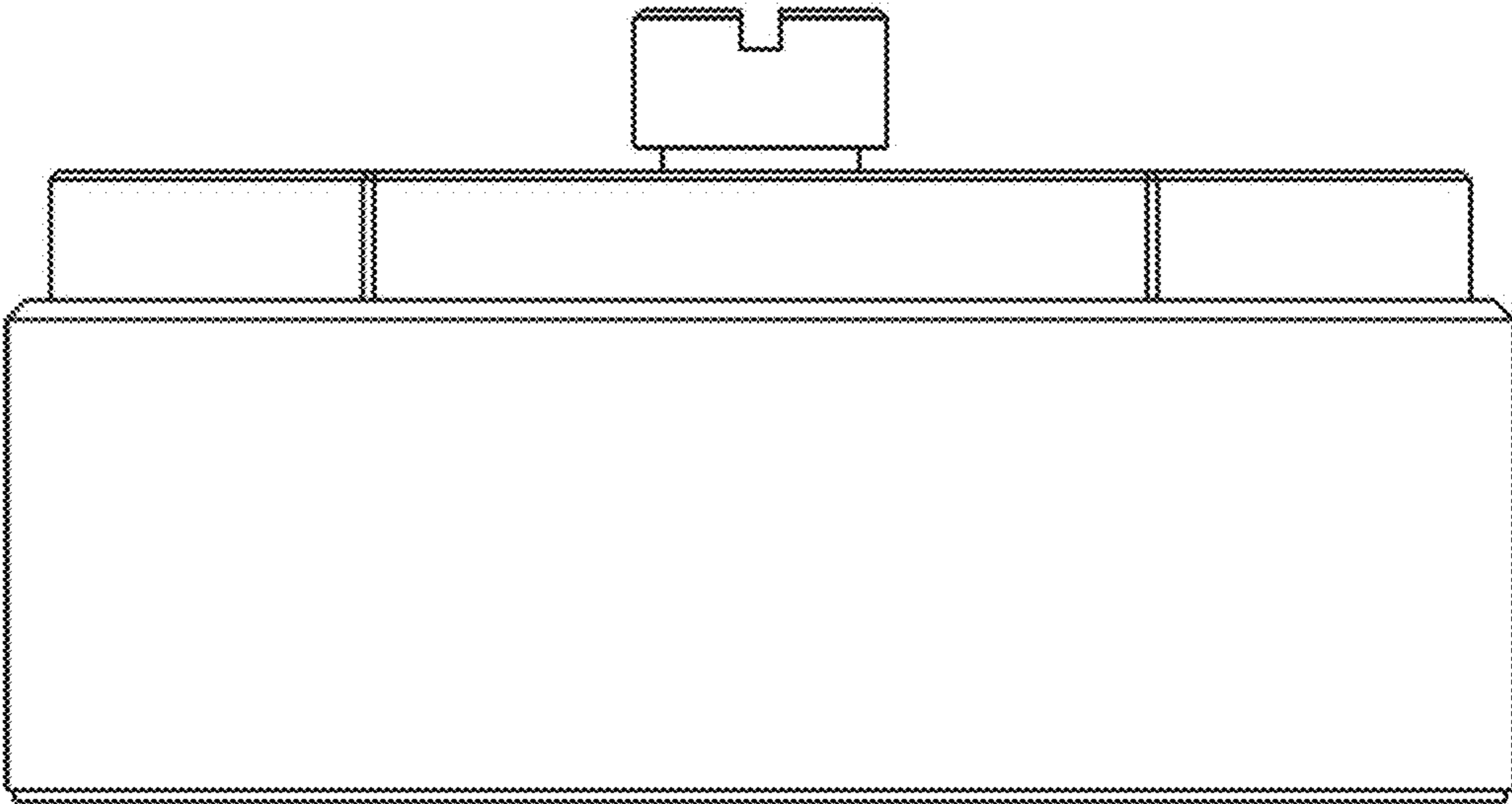


Fig. 1

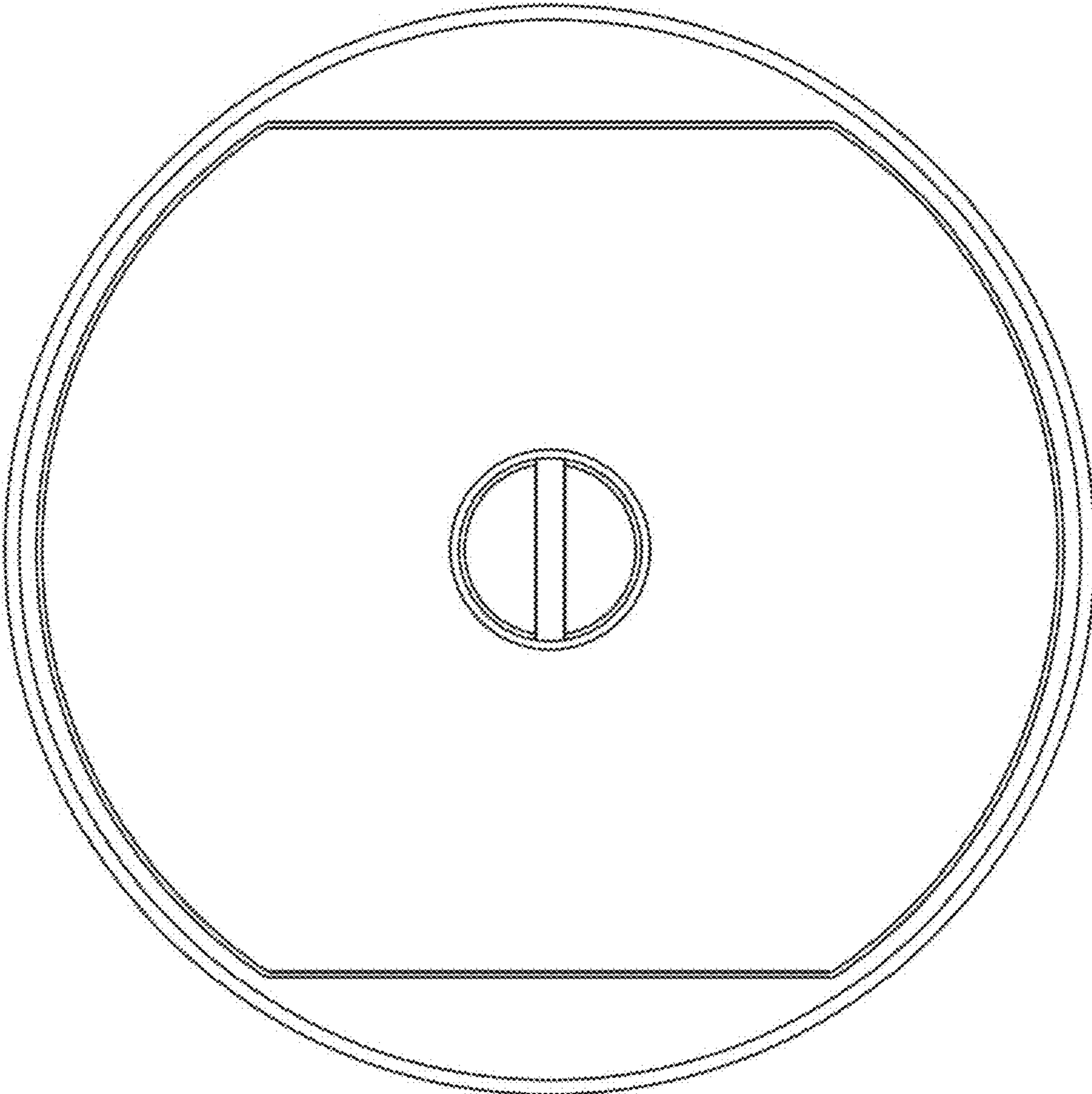


Fig. 2

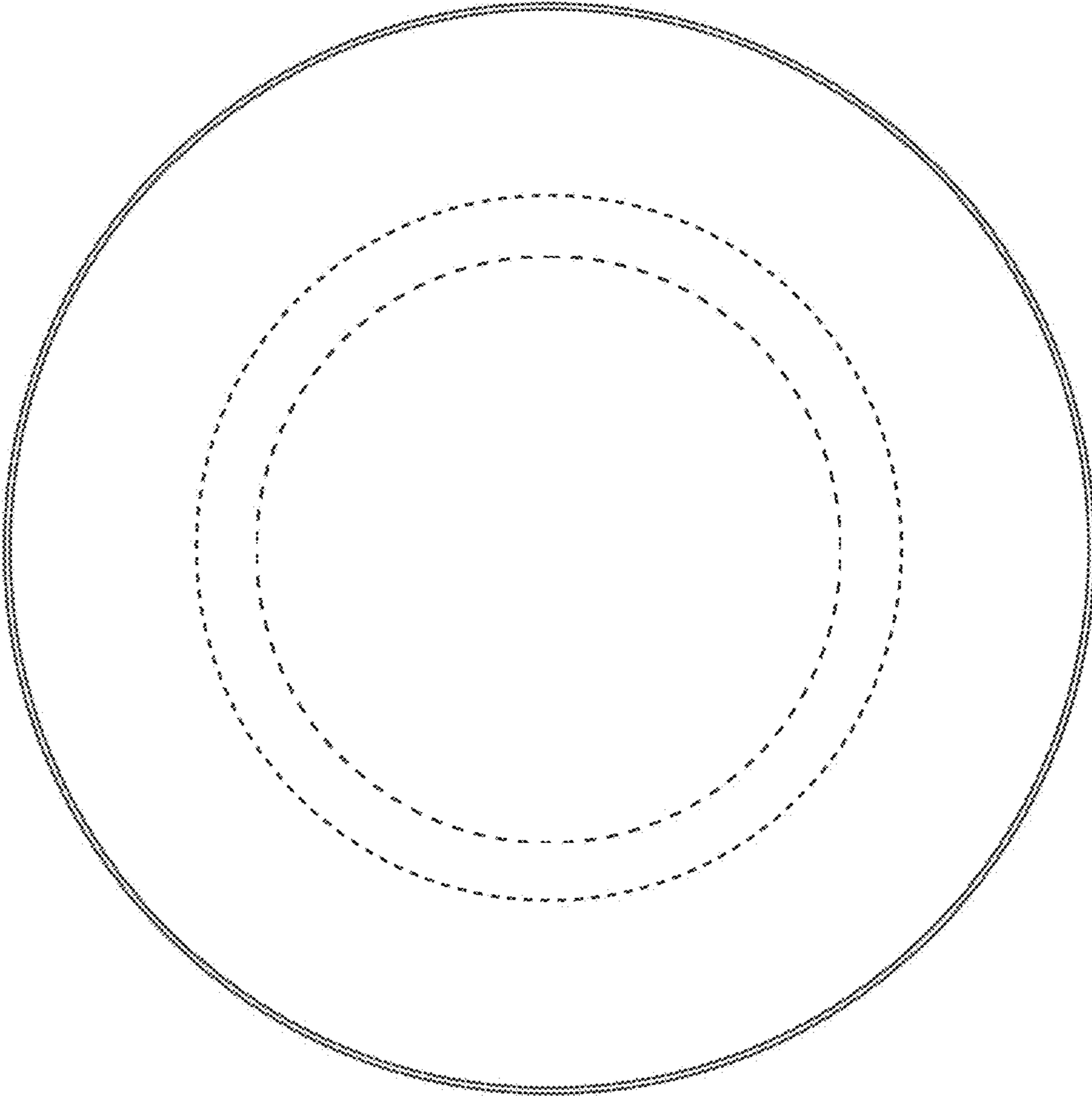


Fig. 3

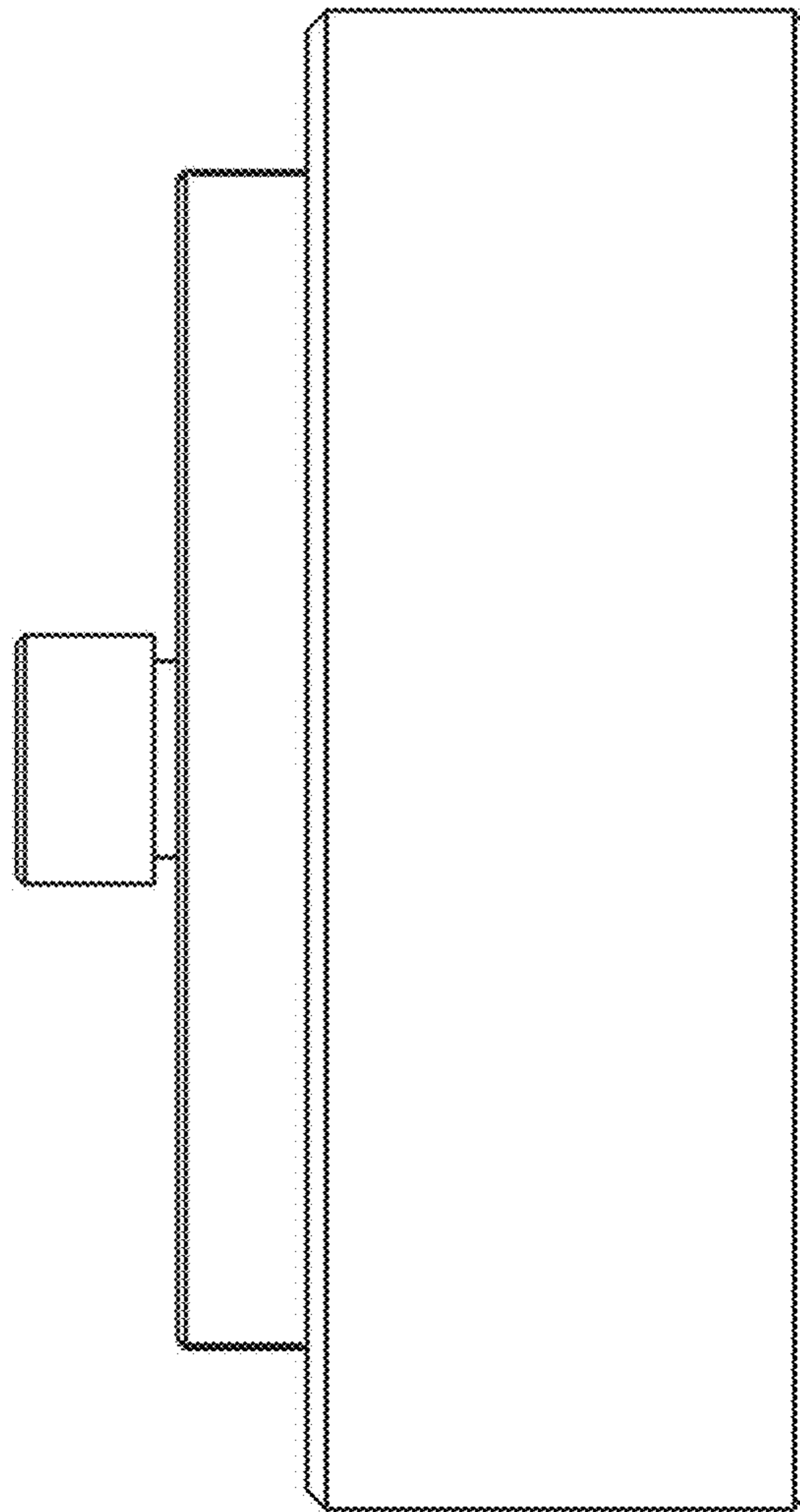


Fig. 4

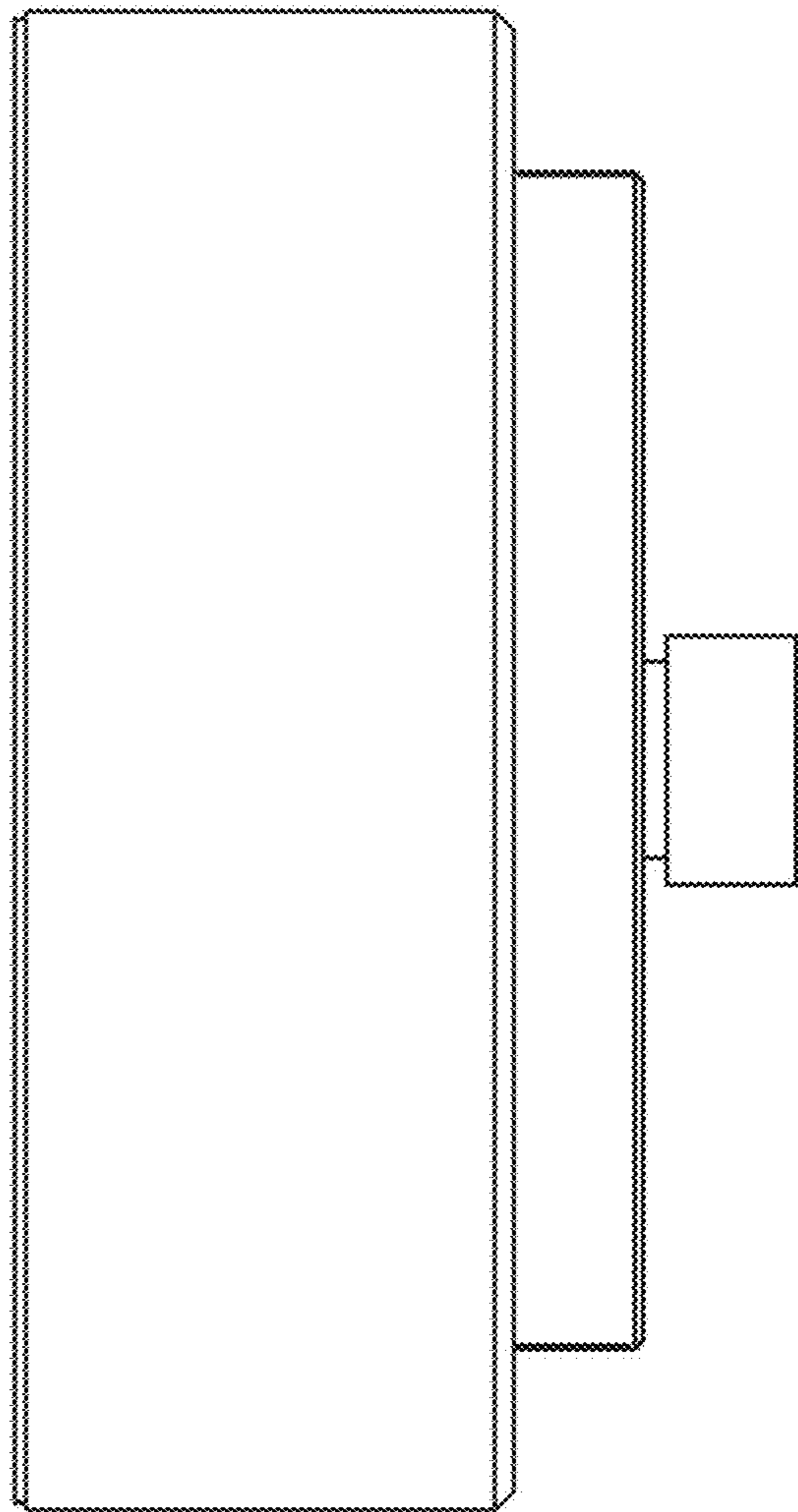


Fig. 5

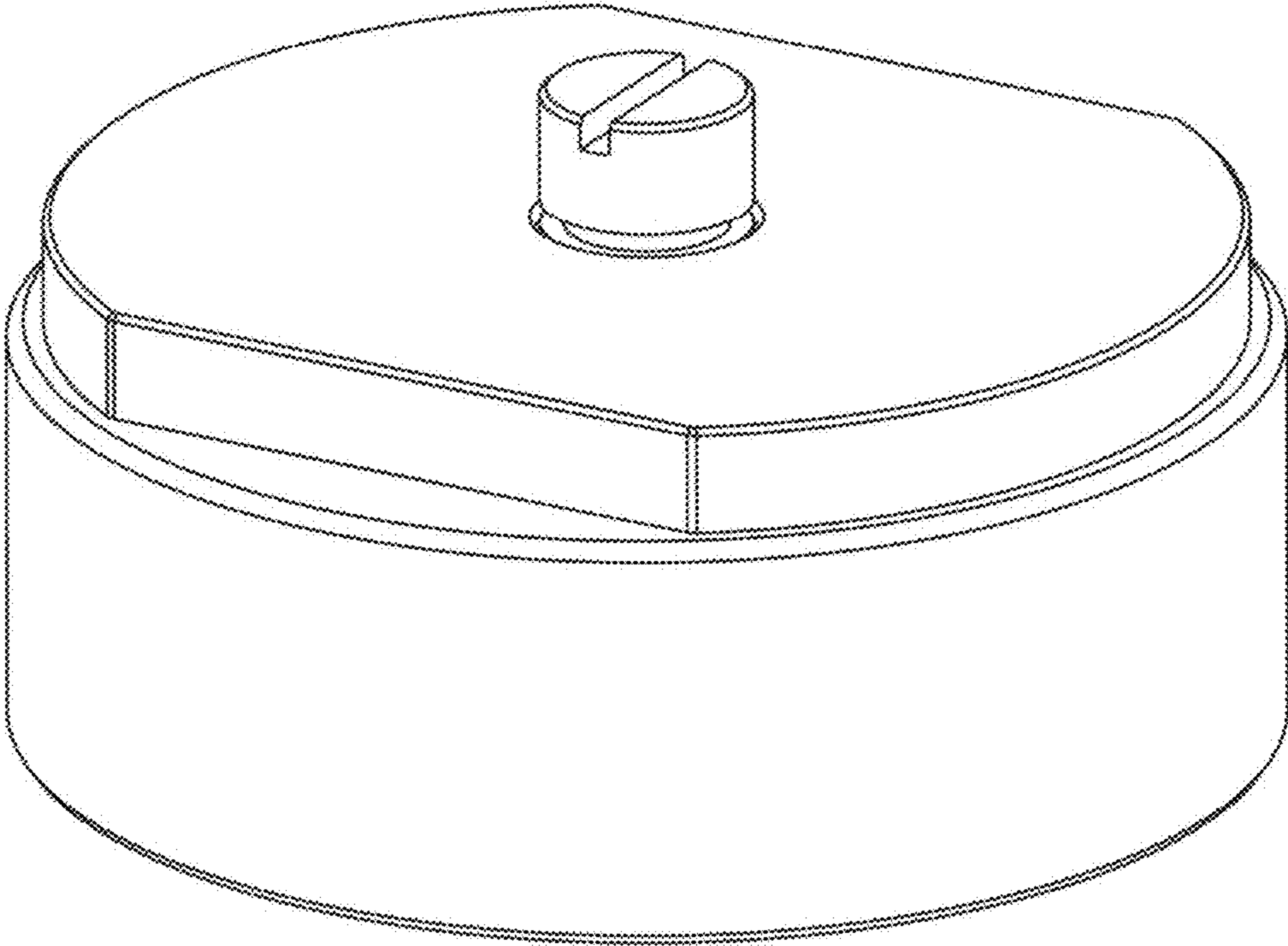


Fig. 6

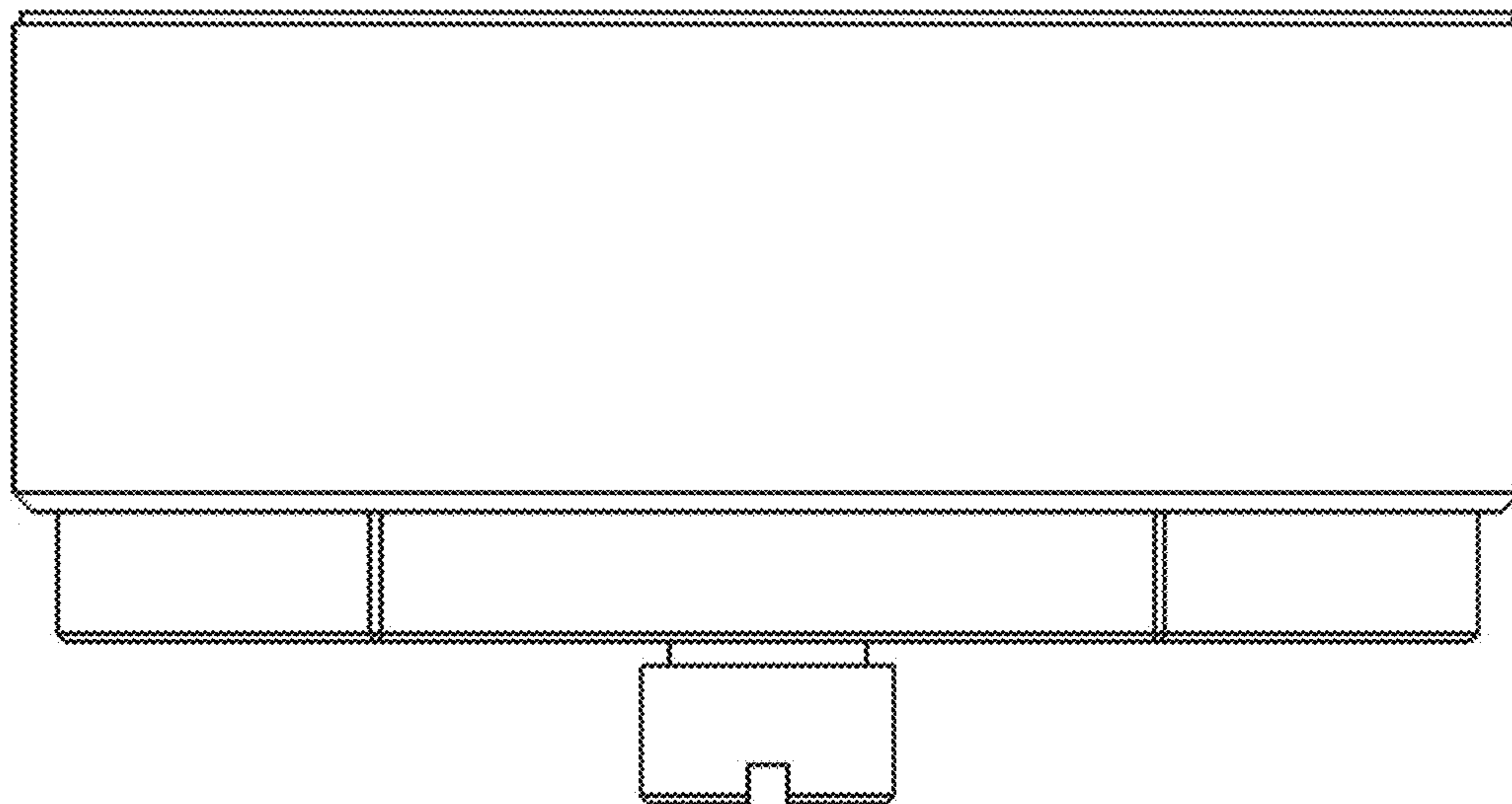


Fig. 7