



US00D907566S

(12) **United States Design Patent** (10) **Patent No.:** **US D907,566 S**
Ahn et al. (45) **Date of Patent:** **** Jan. 12, 2021**

(54) **INTERIOR HEADLINER POD CONSOLE**

(71) Applicant: **Waymo LLC**, Mountain View, CA (US)

(72) Inventors: **YooJung Ahn**, Mountain View, CA (US); **Joshua Newby**, San Francisco, CA (US); **Albert Shane**, Berkeley, CA (US)

(73) Assignee: **Waymo LLC**, Mountain View, CA (US)

(**) Term: **15 Years**

(21) Appl. No.: **29/701,613**

(22) Filed: **Aug. 13, 2019**

Related U.S. Application Data

(62) Division of application No. 29/602,114, filed on Apr. 28, 2017, now Pat. No. Des. 862,367.

(51) **LOC (13) Cl.** **12-16**

(52) **U.S. Cl.**
USPC **D12/418**

(58) **Field of Classification Search**
USPC D12/415–426.1, 400, 195, 190, 345, 96, D12/99; D3/319; D9/423
CPC B60R 2011/0028; B60R 11/00
See application file for complete search history.

(56) **References Cited**

U.S. PATENT DOCUMENTS

D245,328 S *	8/1977	Davis	D12/418
D245,414 S *	8/1977	Ashbaugh	D12/418
D247,234 S *	2/1978	Stewart	D12/418
D541,730 S	5/2007	Vitito		
D559,765 S	1/2008	Vitito		
D564,439 S	3/2008	Vitito		
D569,784 S	5/2008	Vitito		

D580,345 S	11/2008	Paxton et al.		
D592,585 S	5/2009	Moburg et al.		
D598,839 S	8/2009	Wilhelm		
D724,003 S	3/2015	Fonseca et al.		
D756,891 S	5/2016	Roth		
D862,368 S *	10/2019	Song	D12/418
D870,640 S *	12/2019	de Andrade Lima	D12/345
D895,531 S *	9/2020	Ryberg	D12/418
2008/0252090 A1 *	10/2008	Tiesler	B60R 7/04 296/37.7
2010/0301625 A1 *	12/2010	Lee	B60R 7/082 296/37.8
2011/0127793 A1 *	6/2011	Gwon	B60R 7/082 296/37.8
2013/0193706 A1 *	8/2013	Minelli	B60R 11/02 296/37.8
2016/0129839 A1 *	5/2016	Kim	H04N 5/2254 348/148
2019/0143898 A1 *	5/2019	Vemulapati	B60R 1/04 359/876

* cited by examiner

Primary Examiner — Katrina A Betton

(74) *Attorney, Agent, or Firm* — Botos Churchill IP Law

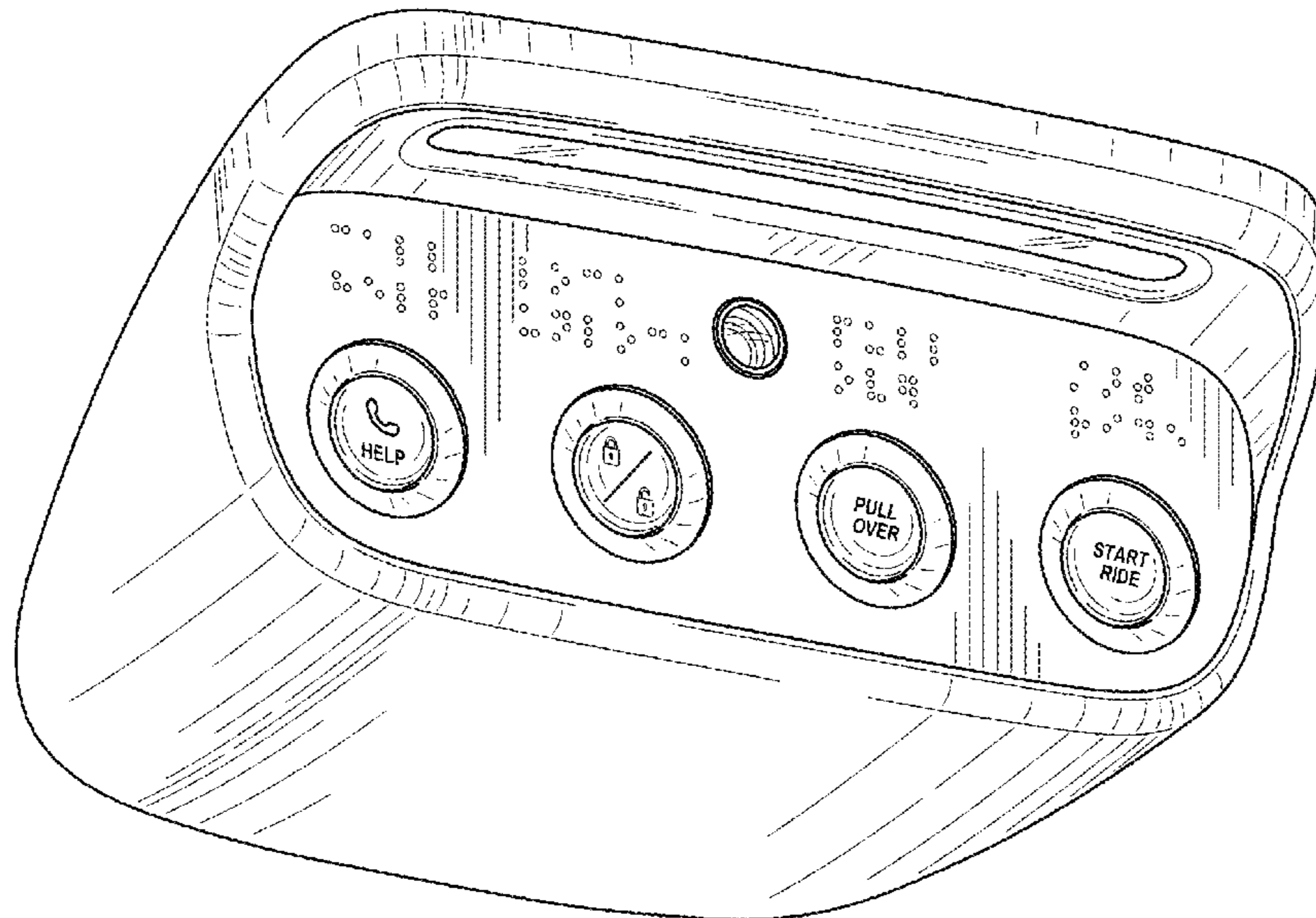
(57) **CLAIM**

The ornamental design for an interior headliner pod console, as shown and described.

DESCRIPTION

FIG. 1 is a front perspective view of the interior headliner pod console according to our design; FIG. 2 is a front elevation view thereof; FIG. 3 is a back elevation view thereof; FIG. 4 is a right side elevation view thereof; FIG. 5 is a left side elevation view thereof; FIG. 6 is a top plan view thereof; and, FIG. 7 is a bottom plan view thereof. The broken lines illustrate portions of the interior headliner pod console that form no part of the claimed design.

1 Claim, 5 Drawing Sheets



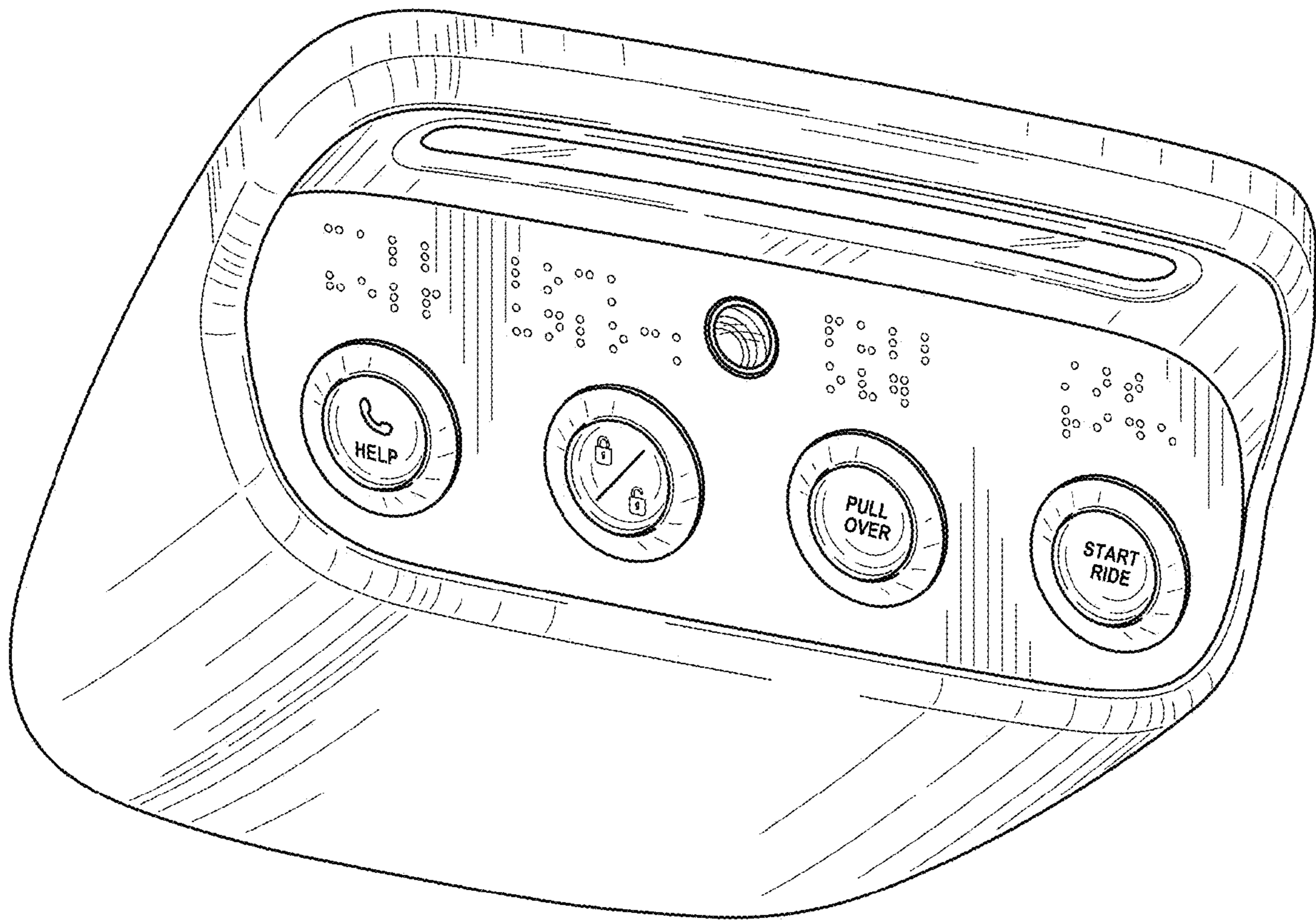


FIG. 1

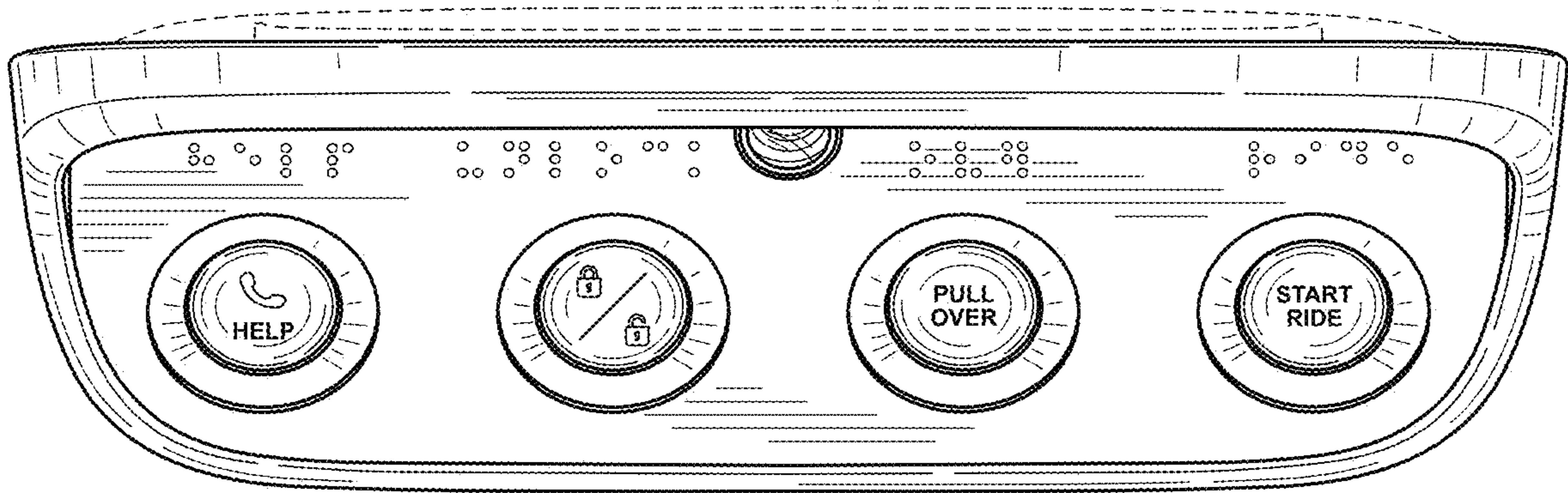


FIG. 2

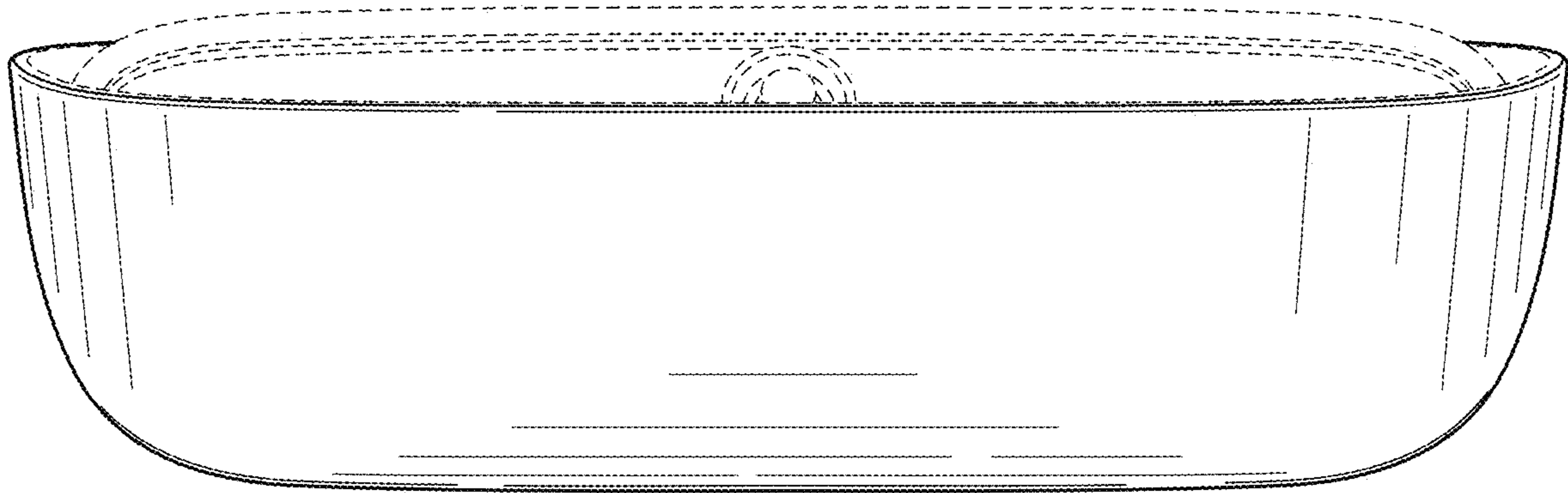


FIG. 3

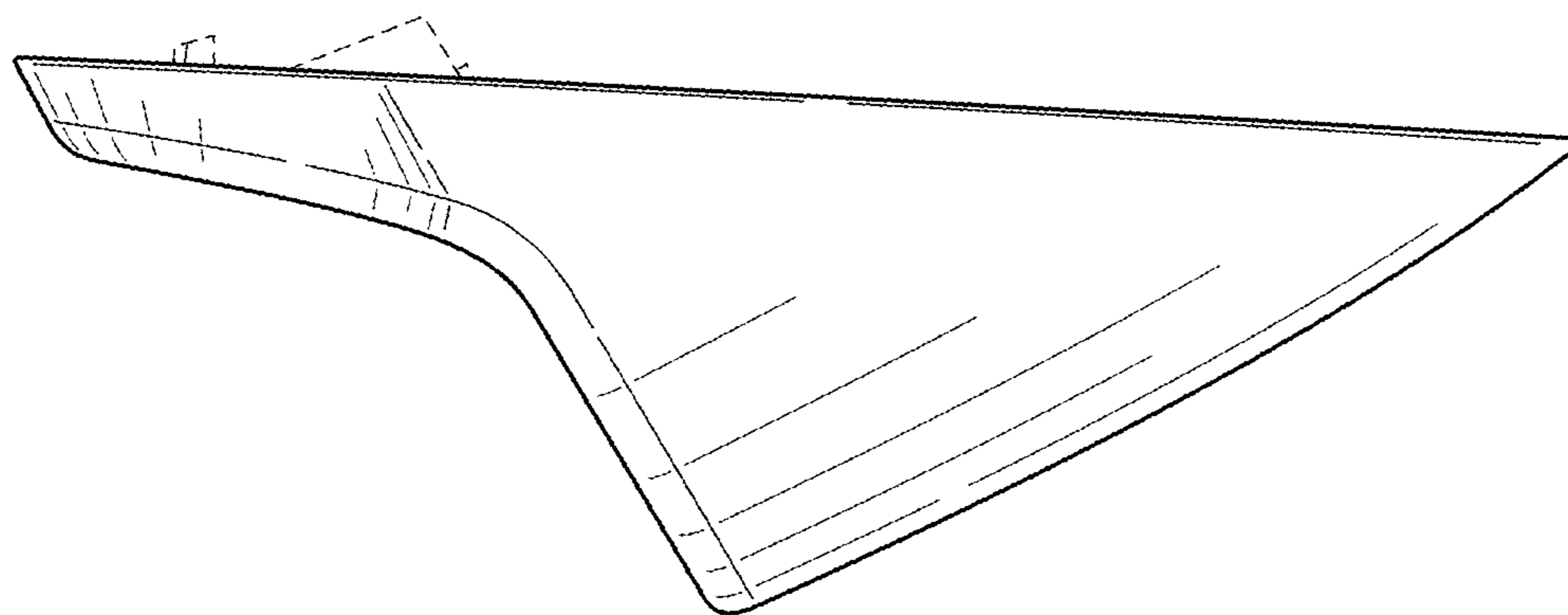


FIG. 4

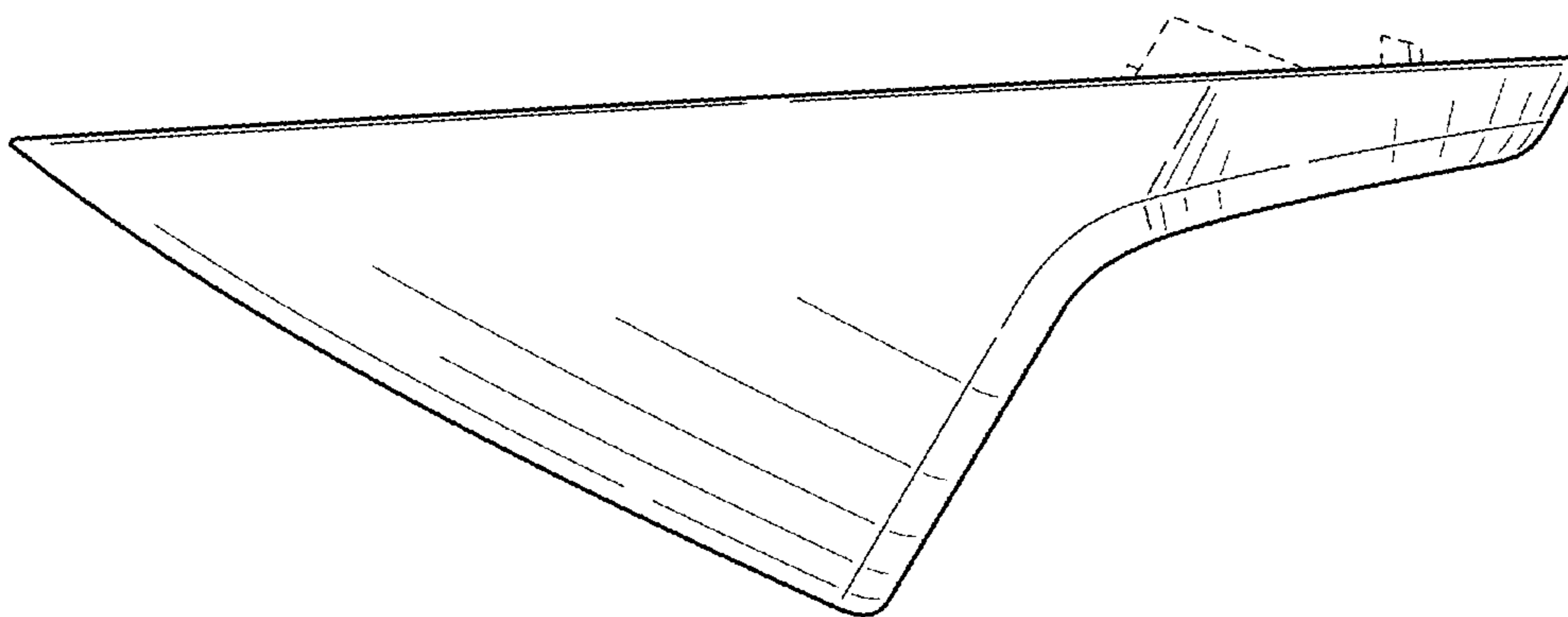


FIG. 5

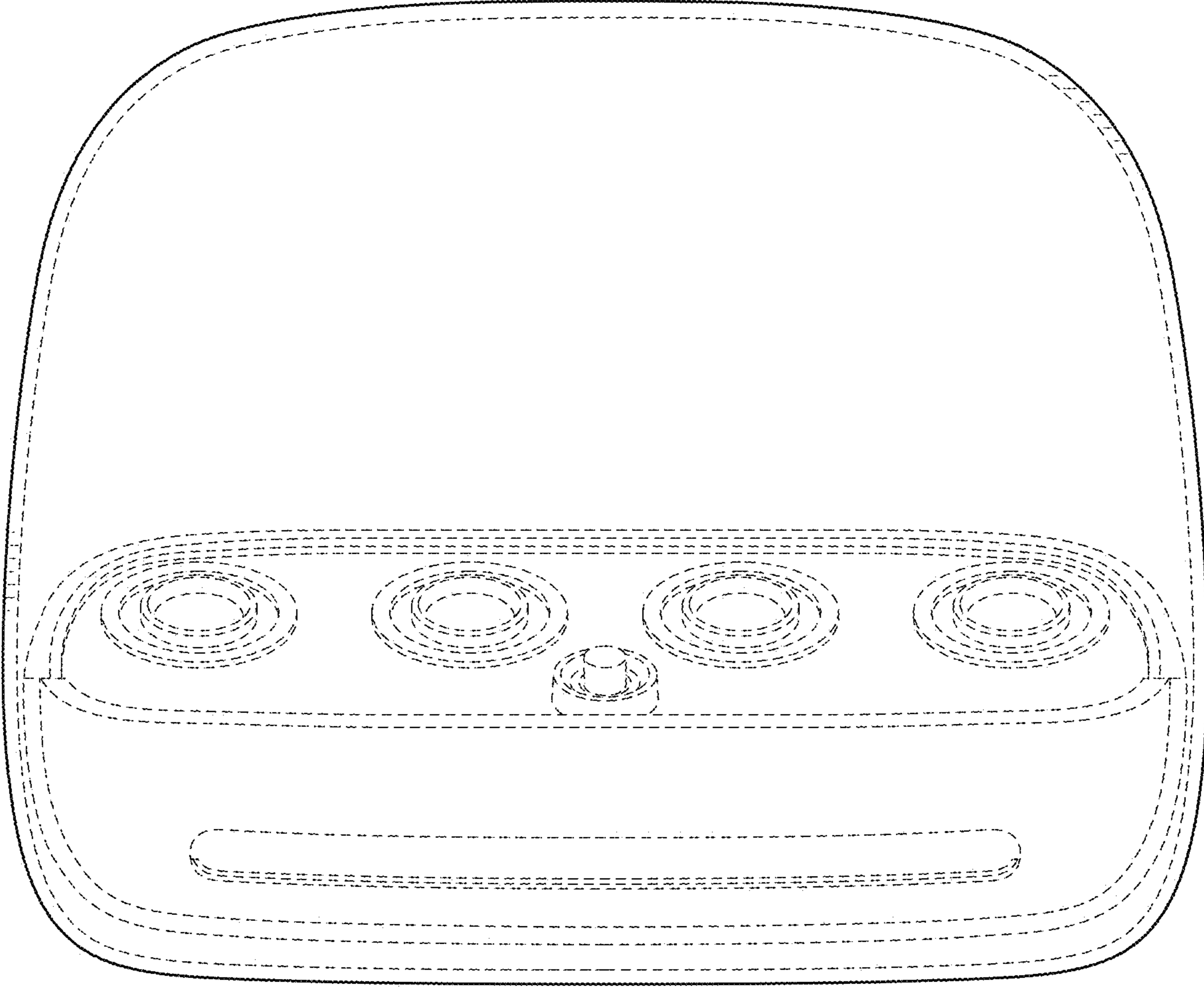


FIG. 6

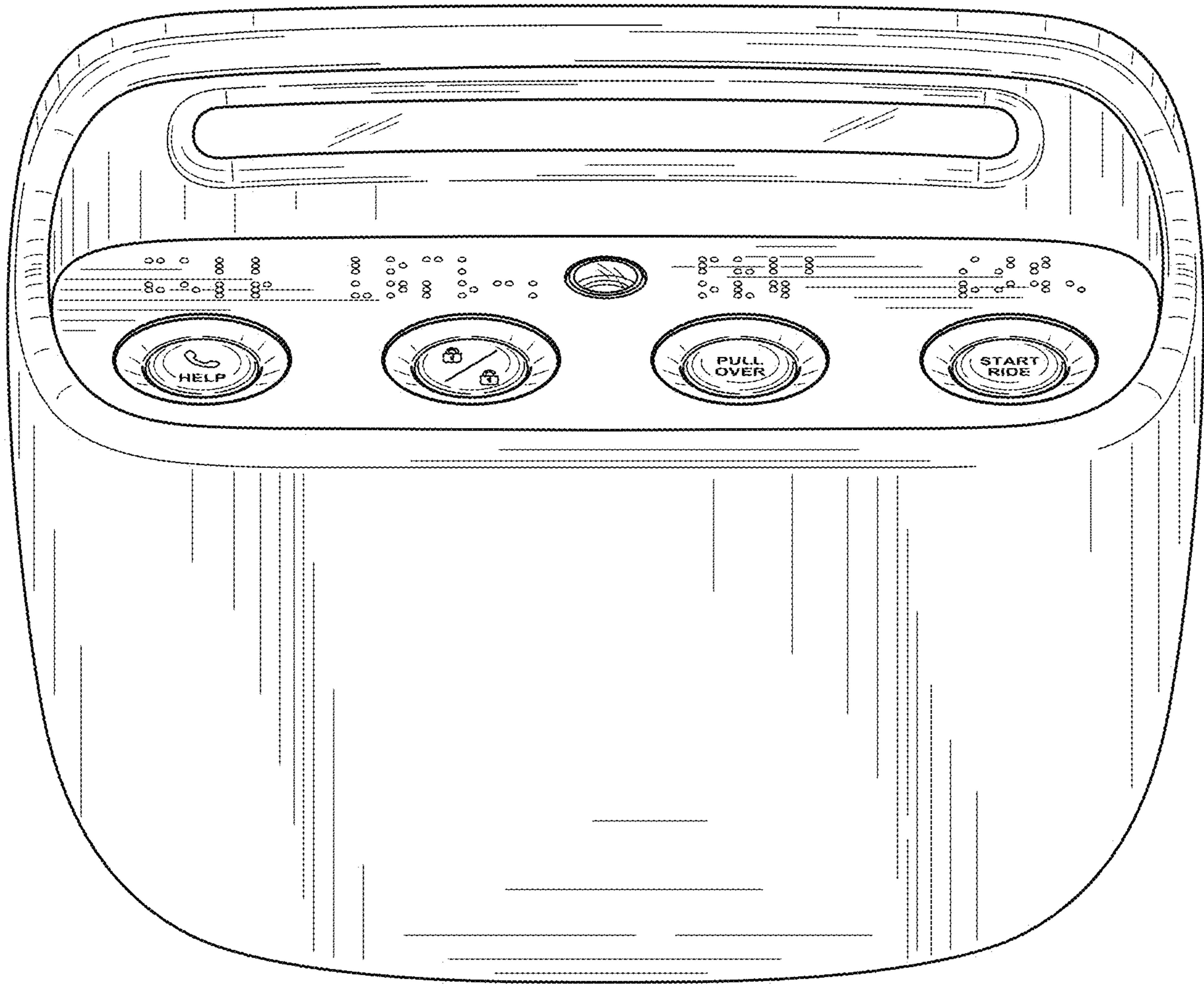


FIG. 7