



US00D907565S

(12) **United States Design Patent**
Carnes et al.

(10) **Patent No.:** **US D907,565 S**
(45) **Date of Patent:** **** Jan. 12, 2021**

(54) **INSTRUMENT PANEL**

FOREIGN PATENT DOCUMENTS

(71) Applicant: **Bell Helicopter Textron Inc.**, Fort Worth, TX (US)

CN 303477296 * 6/2015

(72) Inventors: **Richard Carnes**, Arlington, TX (US);
Levi Bilbrey, Fort Worth, TX (US);
Allen Brittain, Flower Mound, TX (US)

OTHER PUBLICATIONS

Vattalus Assets, Sci Fi Fighter Cockpit 5, ArtStation.com, posted 3 years ago (2017), [online], [site visited May 1, 2020]. <URL: <https://www.artstation.com/artwork/e190J>> (Year: 2017).*

(Continued)

(73) Assignee: **Bell Textron Inc.**, Forth Worth, TX (US)

Primary Examiner — T Chase Nelson

Assistant Examiner — Jonathan J. Han

(**) Term: **15 Years**

(74) *Attorney, Agent, or Firm* — Lightfoot & Alford PLLC

(21) Appl. No.: **29/675,538**

(22) Filed: **Jan. 3, 2019**

(51) **LOC (13) Cl.** **12-16**

(52) **U.S. Cl.**

USPC **D12/415**; D12/192; D12/345

(58) **Field of Classification Search**

USPC D12/192, 319, 345, 415; D14/336, D14/371-375, 125-129, 337, 341, 138 R; D21/430, 442, 447, 448, 449, 450, 452, D21/453; 244/1 R, 118.5, 220, 221, 234; 280/1.12; 340/945, 946, 947, 971, 973, 340/974, 975, 980; 345/168, 104, 156, 345/173; 446/30, 231, 232; 701/3, 11, 701/14, 17, 18, 467; 702/121, 122; 341/12; 348/180, 184, 325, 739; 349/1, 349/2, 11, 62; 361/679.05-679.07, 361/679.21; D6/300, 308

See application file for complete search history.

(56) **References Cited**

U.S. PATENT DOCUMENTS

D439,556 S	*	3/2001	Beigel	D12/192
D469,746 S	*	2/2003	Soule, Jr.	D14/127
D579,888 S	*	11/2008	Lunde	D14/127
D630,142 S	*	1/2011	da Silveira	D12/192
D634,745 S	*	3/2011	Park	D14/373

(Continued)

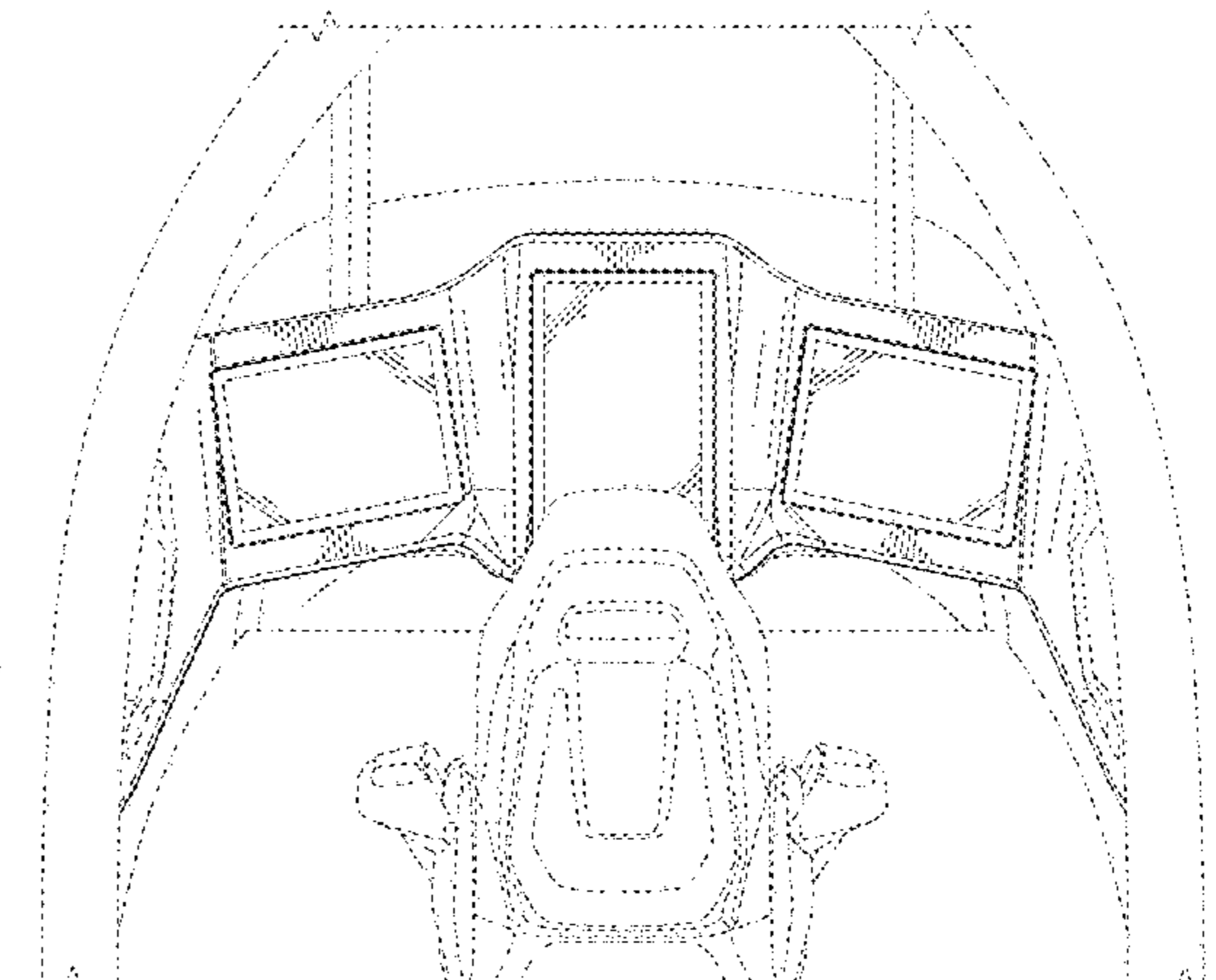
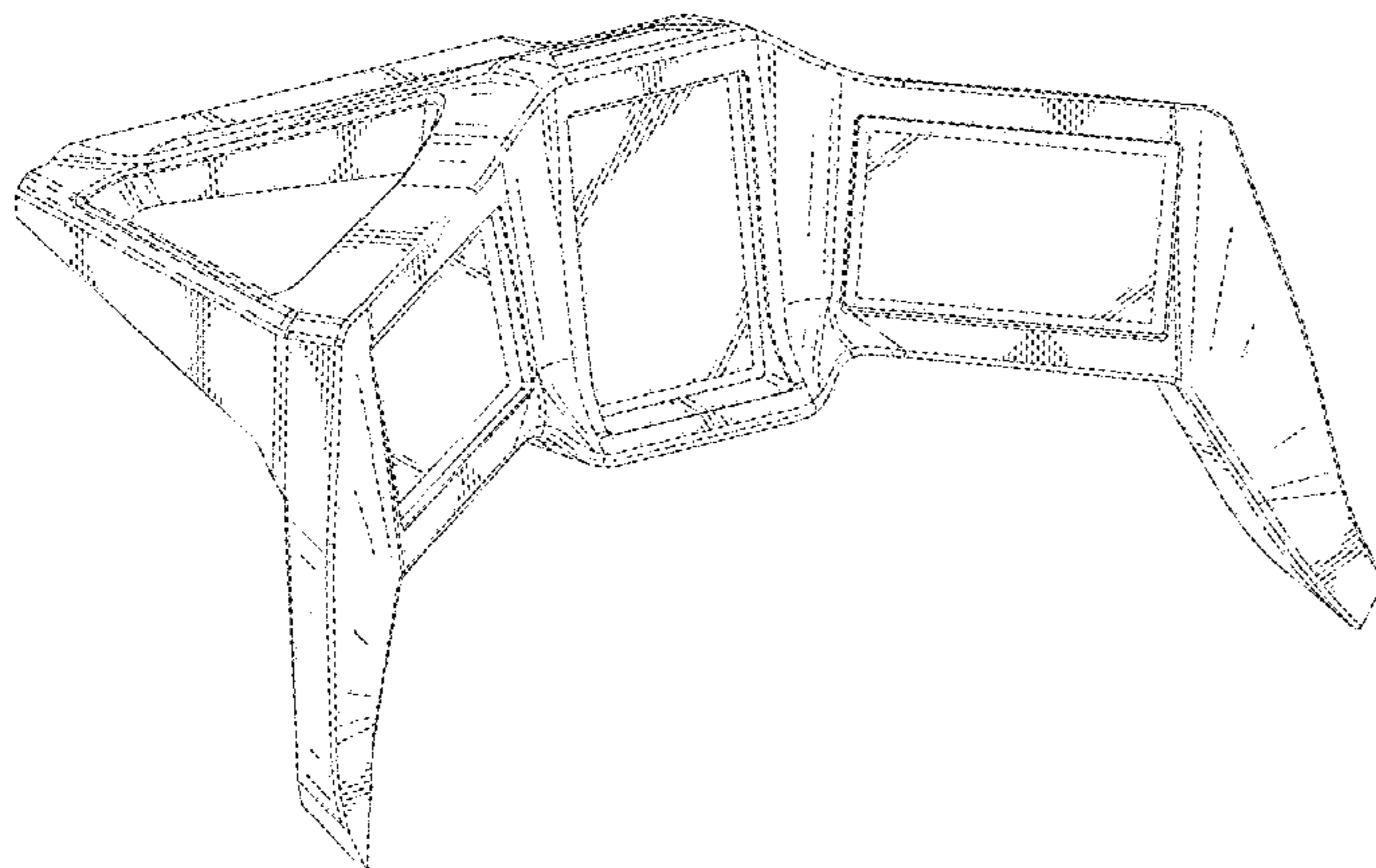
(57) **CLAIM**

The ornamental design for an instrument panel, as shown and described.

DESCRIPTION

FIG. 1 is a perspective view of an instrument panel.
FIG. 2 is a rear elevational view of the instrument panel of FIG. 1.
FIG. 3 is a front elevational view of the instrument panel of FIG. 1.
FIG. 4 is a right side elevational view of the instrument panel of FIG. 1.
FIG. 5 is a left side elevational view of instrument panel of FIG. 1.
FIG. 6 is a top plan view of the instrument panel of FIG. 1.
FIG. 7 is a bottom plan view of the instrument panel of FIG. 1; and,
FIG. 8 is is a perspective view of the instrument panel of FIG. 1 shown in use in a cockpit environment.
Broken lines in FIG. 8 are shown to illustrate environment that form no part of the claimed design.

1 Claim, 8 Drawing Sheets



(56)

References Cited

U.S. PATENT DOCUMENTS

D678,153 S * 3/2013 Amante D12/192
 D682,771 S * 5/2013 Amante D12/192
 D689,007 S * 9/2013 Littlechild D12/345
 D689,008 S * 9/2013 Littlechild D12/345
 D689,009 S * 9/2013 Littlechild D12/345
 D697,862 S * 1/2014 Nemeth D12/192
 D725,579 S * 3/2015 Becouarn D12/192
 8,994,561 B2 * 3/2015 Berger G01C 23/00
 340/971
 D727,817 S * 4/2015 Schroeder D12/192
 D755,745 S * 5/2016 Williams D14/126
 D770,348 S * 11/2016 Shimizu D12/192
 D773,375 S * 12/2016 Kasparian D12/345
 9,643,731 B2 * 5/2017 Guering B60K 37/00
 D802,505 S * 11/2017 Bischoff D12/192
 D805,489 S * 12/2017 Dry D14/126
 D806,661 S * 1/2018 Lee D14/126
 D807,346 S * 1/2018 Honda D14/336
 D808,354 S * 1/2018 Castro D14/127
 D837,118 S * 1/2019 Takada D12/192
 D862,304 S * 10/2019 Kim D12/126
 10,453,234 B2 * 10/2019 Baron G09G 5/14
 D868,713 S * 12/2019 Lee D14/126

D871,290 S * 12/2019 Kasparian D12/195
 D877,737 S * 3/2020 Allgaier D14/374
 10,577,120 B1 * 3/2020 Nelson H04L 67/12
 2011/0270469 A1 * 11/2011 Bopp G06F 1/163
 701/3
 2012/0075120 A1 * 3/2012 Barbieri B64D 43/00
 340/946
 2012/0327104 A1 * 12/2012 Schrauben G01C 23/00
 345/619
 2015/0261379 A1 * 9/2015 Kneuper G01C 23/00
 345/173

OTHER PUBLICATIONS

Night Vision Imaging Systems (NVIS), Airlift-Doa.com, [online], [site visited May 1, 2020]. <URL: <https://www.airlift-doa.com/nvis>> (Year: 2020).*

Liberty Coach Takes a Giant Leap with 2016 Cockpit Redesign, LibertyCoach.com, May 5, [online], [site visited May 1, 2020]. <URL: <https://libertycoach.com/news/may-5-2/>> (Year: 2016).*

Remos GX-Aerodynamic Wheel Pants, JetExe.com, [online], [site visited May 1, 2020]. <URL: <http://www.jetexe.com/remos-gx-center-console/>> (Year: 2020).*

* cited by examiner

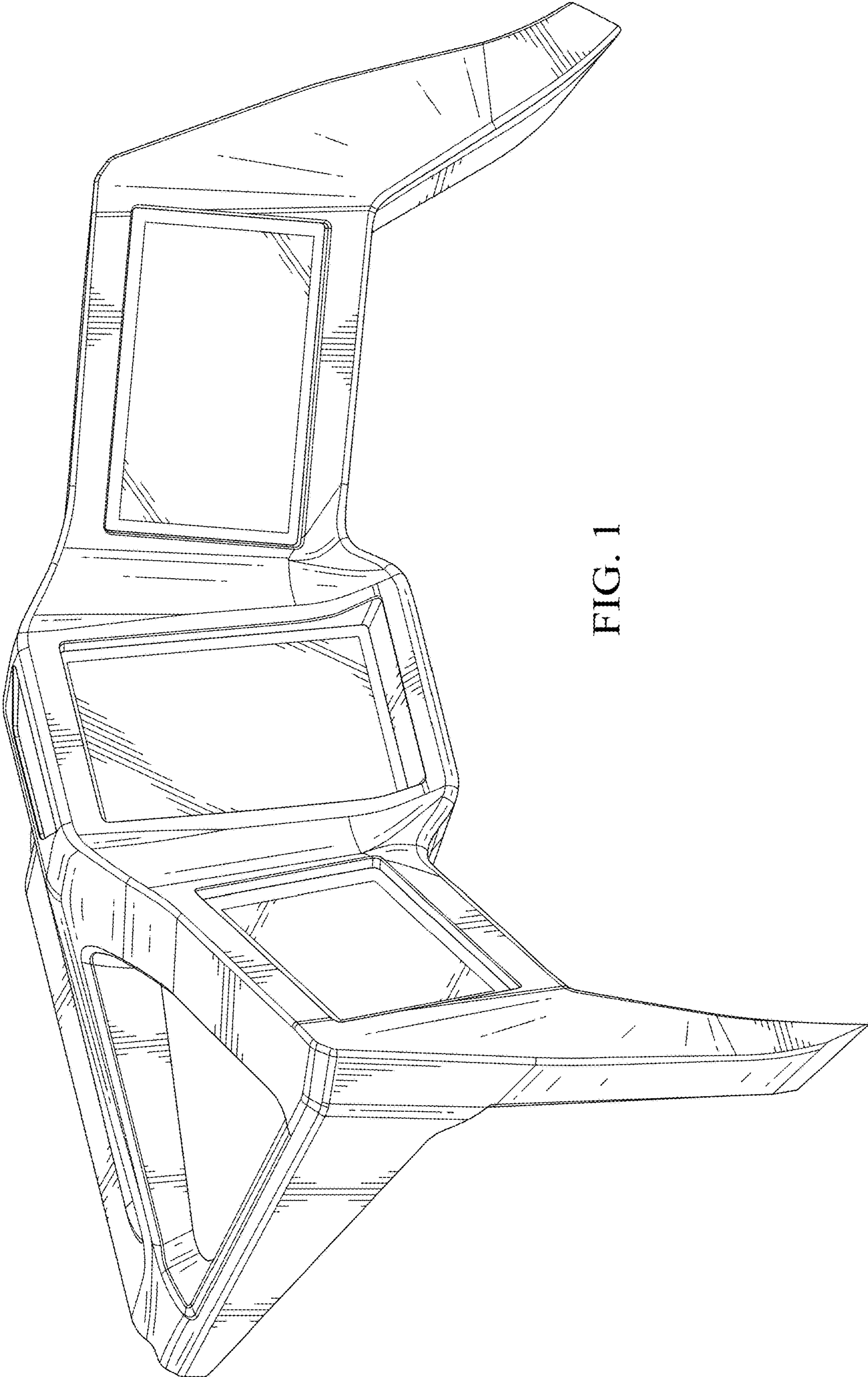


FIG. 1

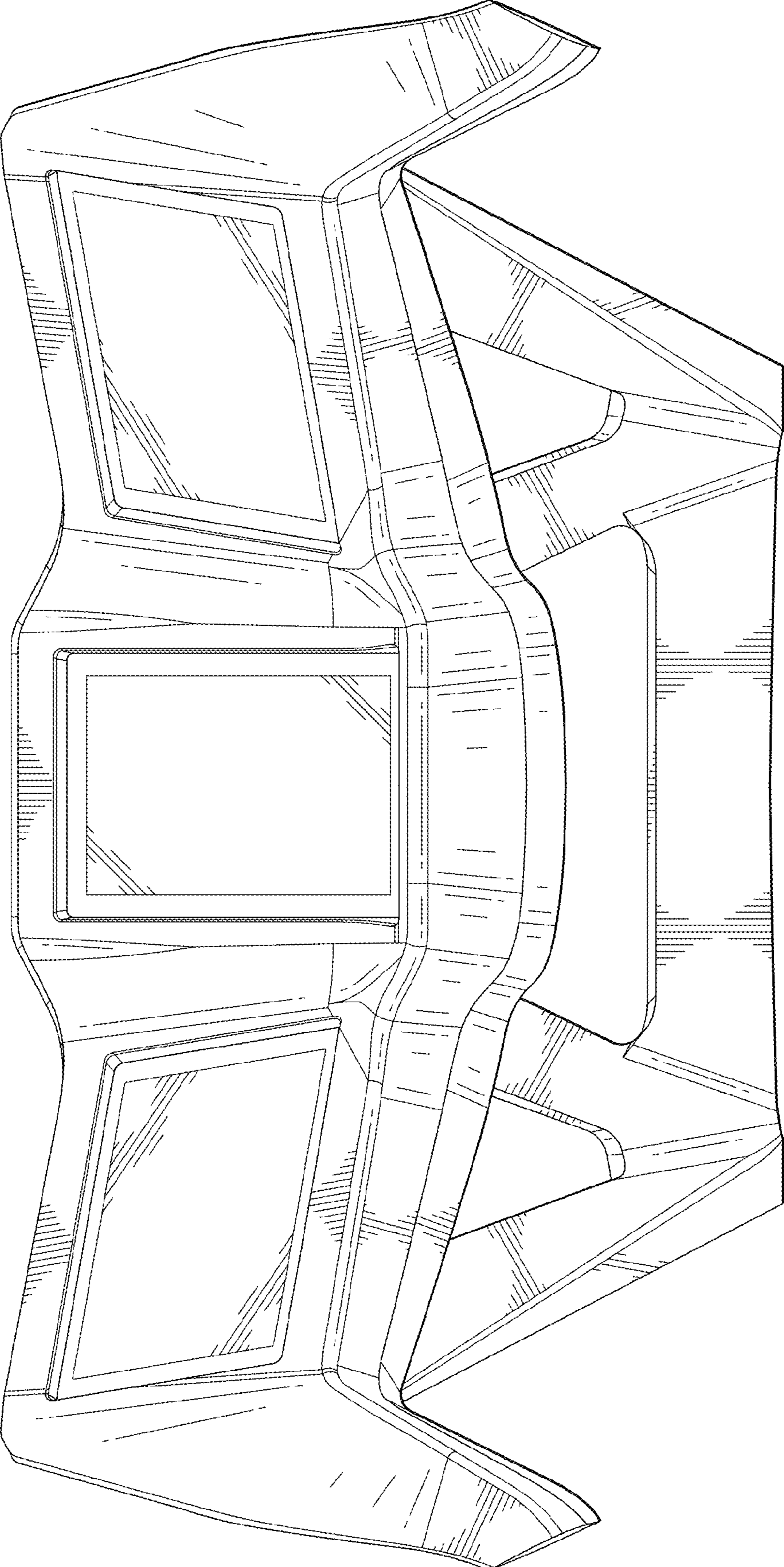


FIG. 2

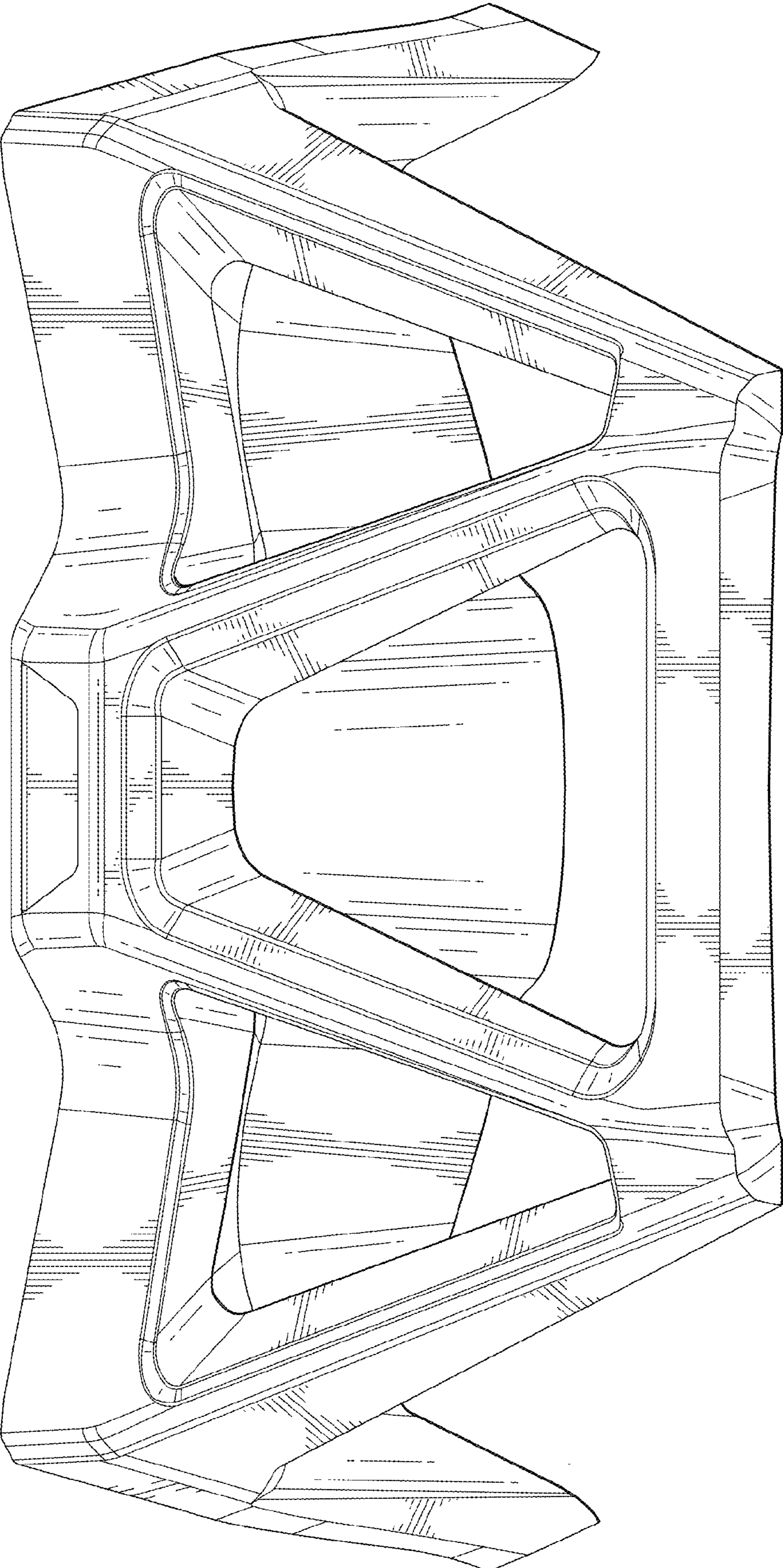


FIG. 3

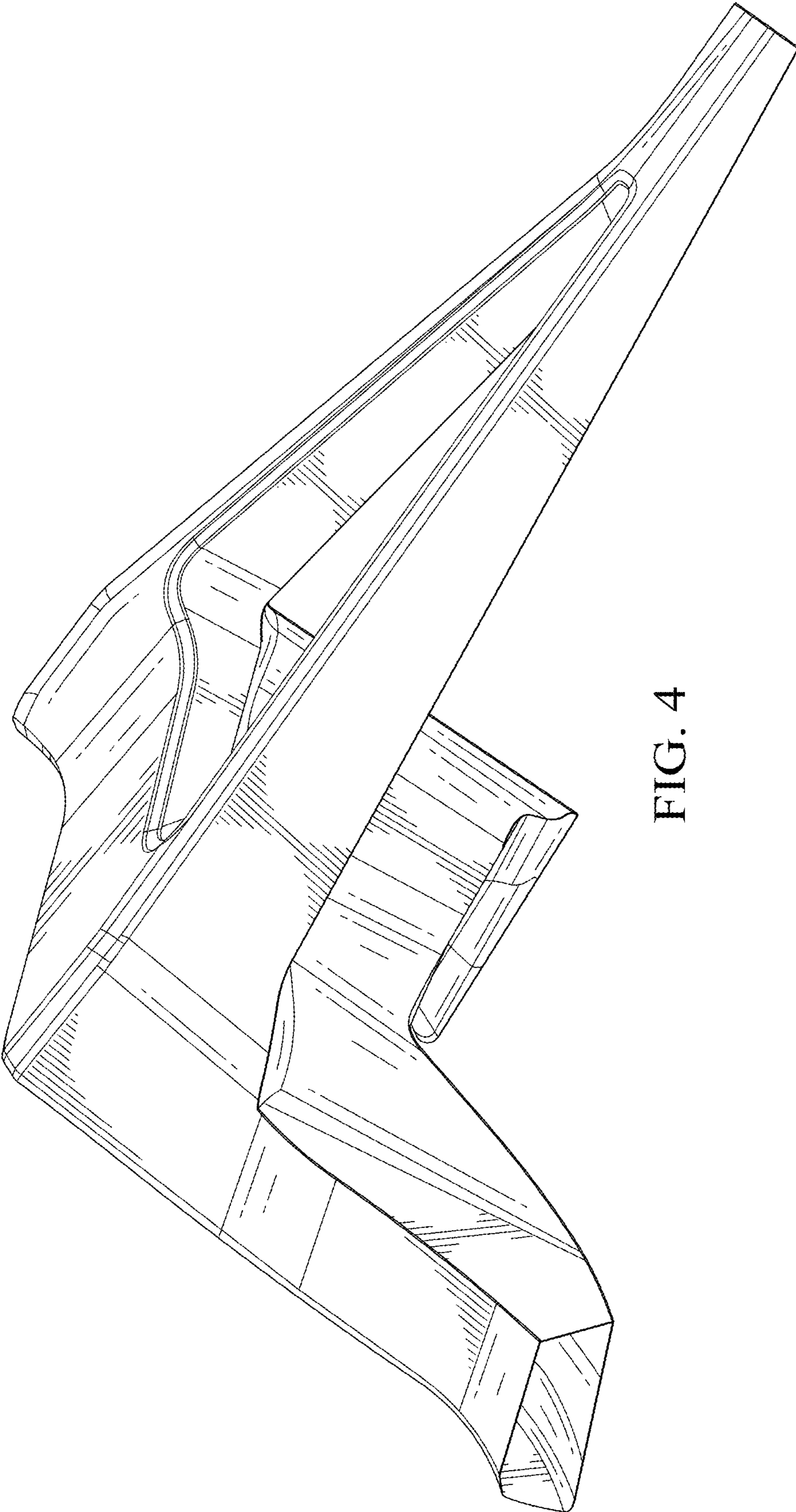


FIG. 4

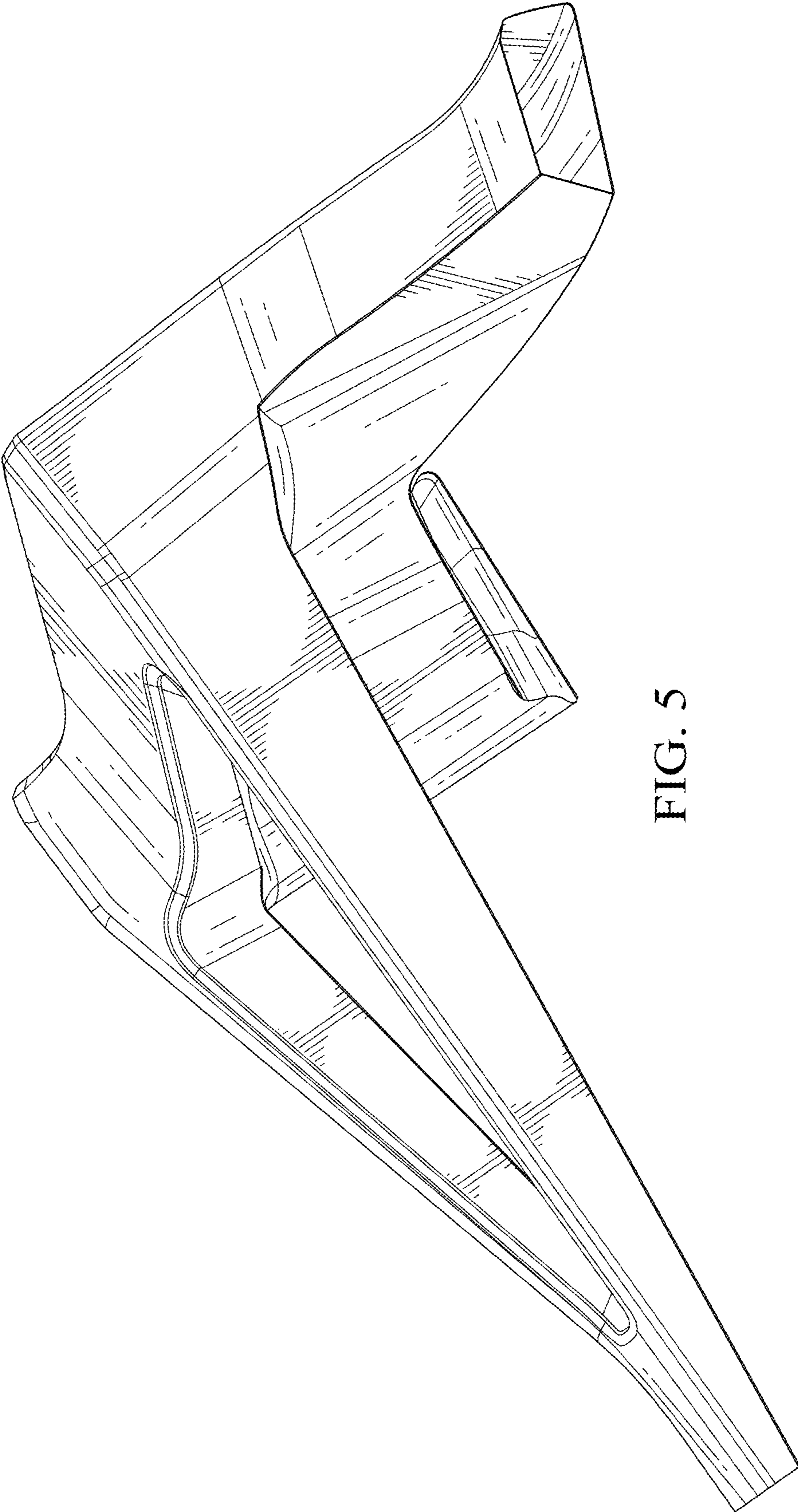


FIG. 5

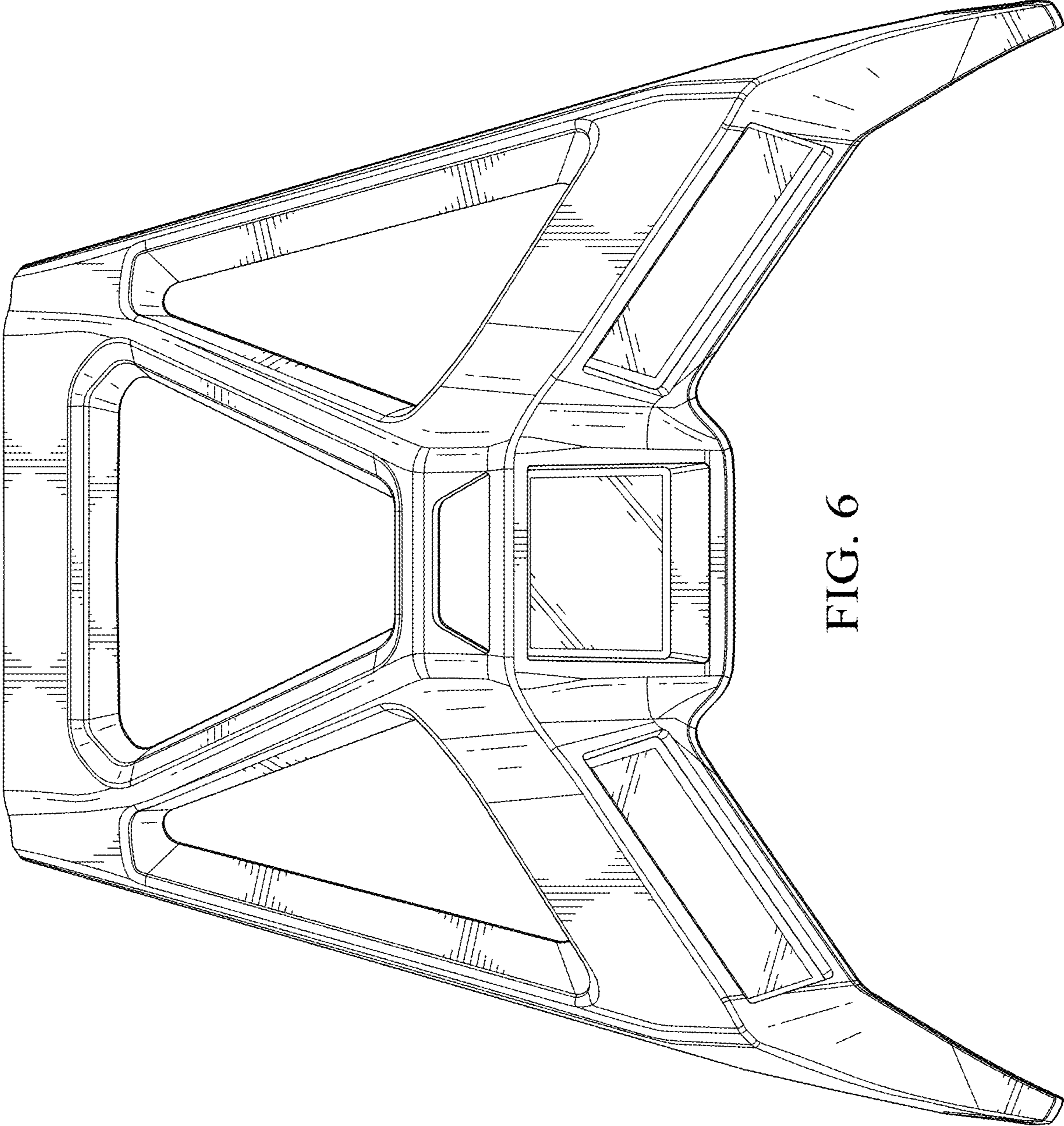


FIG. 6

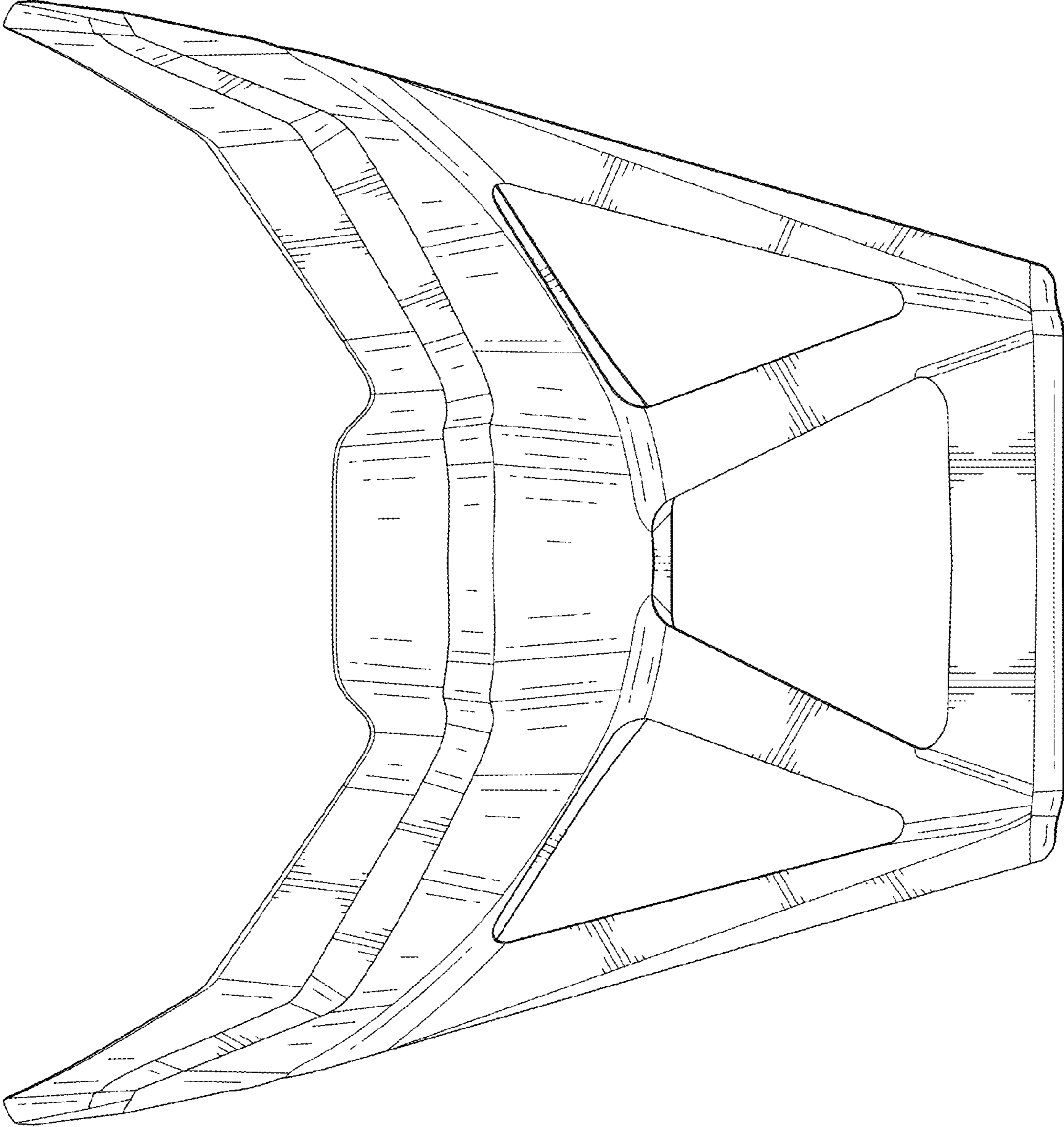


FIG. 7

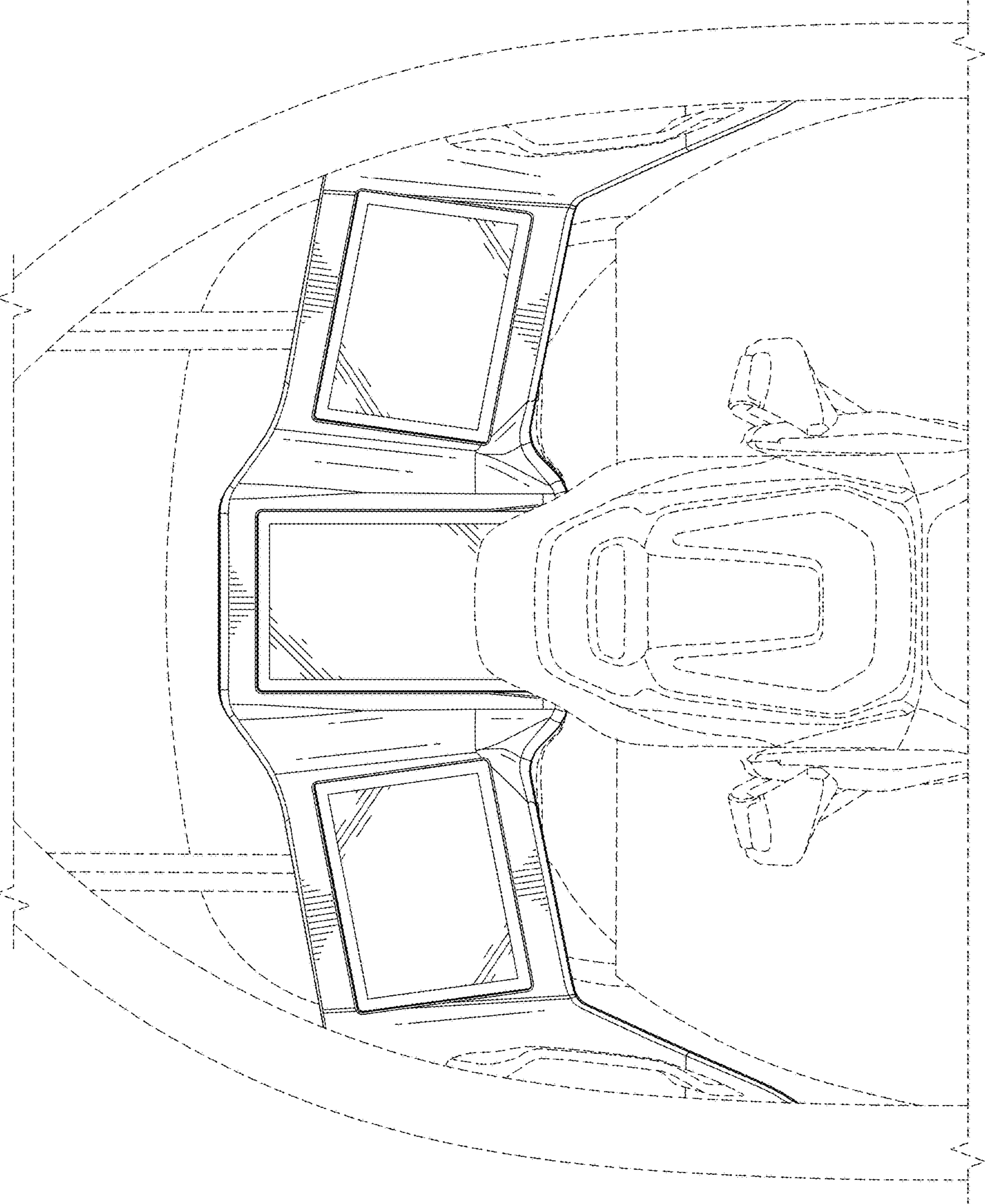


FIG. 8