



US00D907564S

(12) **United States Design Patent** (10) **Patent No.:** **US D907,564 S**  
**Richards et al.** (45) **Date of Patent:** **\*\* Jan. 12, 2021**

(54) **VEHICLE MAST**

(71) Applicant: **THE RAYMOND CORPORATION**,  
Greene, NY (US)  
(72) Inventors: **Curtis Donald Richards**, Greene, NY  
(US); **Tim Allen Schoelier**, Endicott,  
NY (US)  
(73) Assignee: **The Raymond Corporation**, Greene,  
NY (US)  
(\*\*) Term: **15 Years**

(21) Appl. No.: **29/686,085**  
(22) Filed: **Apr. 2, 2019**  
(51) **LOC (13) Cl.** ..... **12-16**  
(52) **U.S. Cl.**  
USPC ..... **D12/406**  
(58) **Field of Classification Search**  
USPC .... D12/400, 406, 412-414, 414.4; 296/37.1,  
296/3; 224/402-405; 211/182, 162, 175,  
211/176, 205, 206; 52/731.7, 731.6,  
52/735.1, 737.6; D6/718, 382, 392, 709,  
D6/552; D3/304-306  
CPC ..... B60D 1/06; B60R 9/00; B60R 2011/0042;  
B60R 9/04; B60R 9/045; B60R 9/048;  
B60P 9/00; B60P 3/40  
See application file for complete search history.

(56) **References Cited**

**U.S. PATENT DOCUMENTS**

D244,268 S \* 5/1977 Hinch ..... D12/412  
4,158,460 A \* 6/1979 White ..... B60R 21/131  
280/756  
D337,087 S \* 7/1993 Peterman ..... D12/408  
D352,925 S \* 11/1994 Eckhart ..... D12/406  
5,660,637 A \* 8/1997 Dodge ..... B05B 13/0285  
118/500

(Continued)

**OTHER PUBLICATIONS**

3030 Raymond Courier, RaymondCorp.com, [online], [site visited  
Jun. 6, 2020]. <URL: https://www.raymondcorp.com/forklifts/  
automated-lift-trucks/3030-raymond-courier-automated-stacker> (Year:  
2020).\*

(Continued)

*Primary Examiner* — T Chase Nelson  
*Assistant Examiner* — Jonathan J. Han

(74) *Attorney, Agent, or Firm* — Quarles & Brady LLP

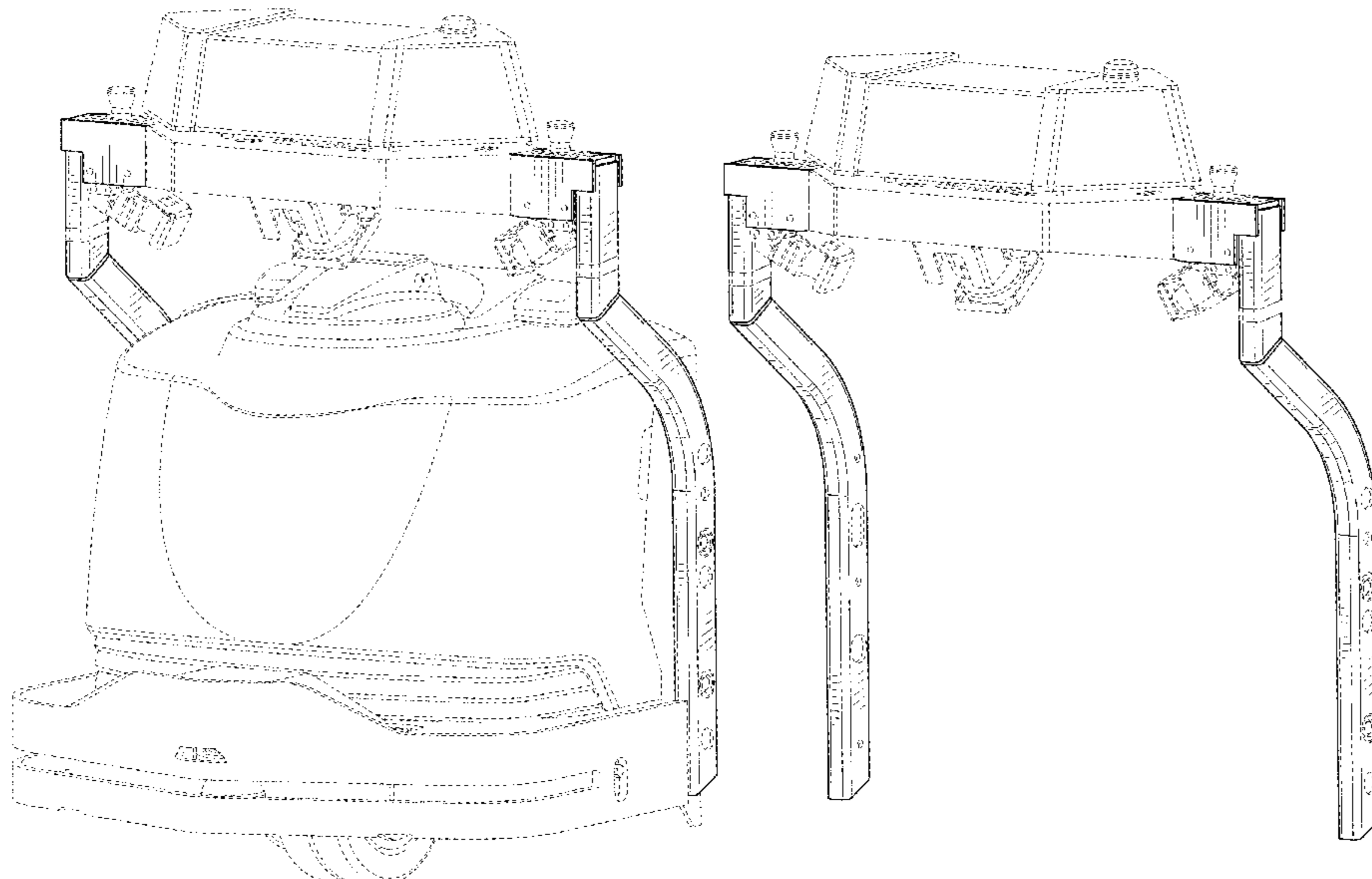
(57) **CLAIM**

The ornamental design for a vehicle mast, as shown and  
described.

**DESCRIPTION**

FIG. 1 is an isometric view of a front, top, and left side of  
an ornamental design for a vehicle mast;  
FIG. 2 is an isometric view of a front, top, and left side of  
the vehicle mast of FIG. 1 having unclaimed environment  
removed for clarity;  
FIG. 3 is a front elevational view of the vehicle mast of FIG.  
2;  
FIG. 4 is a rear elevational view of the vehicle mast of FIG.  
2;  
FIG. 5 is a right side elevational view of the vehicle mast of  
FIG. 2;  
FIG. 6 is a left side elevational view of the vehicle mast of  
FIG. 2;  
FIG. 7 is a top plan view of the vehicle mast of FIG. 2; and,  
FIG. 8 is a bottom plan view of the vehicle mast of FIG. 2.  
The dash-dash-dash lines are included for the purpose of  
illustrating portions of the vehicle mast and environment  
that form no part of the claimed design. The dash-dot-dash  
lines showing the boundary lines form no part of the claimed  
design.

**1 Claim, 6 Drawing Sheets**



(56)

References Cited

U.S. PATENT DOCUMENTS

5,662,254 A \* 9/1997 Lemajeur ..... B60P 3/40  
224/405  
D398,284 S \* 9/1998 Carter ..... D12/406  
5,836,635 A \* 11/1998 Dorman ..... B60P 3/40  
296/3  
D415,097 S \* 10/1999 Adams ..... D12/408  
6,186,571 B1 \* 2/2001 Burke ..... B60P 3/40  
224/405  
D444,446 S \* 7/2001 Carter ..... D12/406  
6,520,723 B2 \* 2/2003 Christensen ..... B60P 3/40  
410/100  
7,296,836 B1 \* 11/2007 Sabo ..... B60P 3/40  
296/3  
D633,431 S \* 3/2011 Kennedy ..... D12/412  
D654,844 S \* 2/2012 Pinto ..... D12/222  
8,433,469 B2 \* 4/2013 Harvey ..... G05D 1/0221  
701/23  
8,662,366 B1 \* 3/2014 DeZonia ..... B60R 9/04  
224/405  
8,731,785 B2 \* 5/2014 McCabe ..... B60G 17/016  
701/50  
D722,007 S \* 2/2015 Ting ..... D12/414  
8,985,649 B2 \* 3/2015 Lutz ..... B66F 9/07513  
293/120  
9,146,559 B2 \* 9/2015 Kuss ..... B66F 9/063  
9,278,839 B2 \* 3/2016 Gilbride ..... B62B 5/0069  
D763,170 S \* 8/2016 Marankie ..... D12/414  
9,403,667 B2 \* 8/2016 McCabe ..... B60G 17/08  
9,547,945 B2 \* 1/2017 McCabe ..... G07C 5/008

D784,899 S \* 4/2017 McConnell ..... D12/222  
D809,996 S \* 2/2018 Lee ..... D12/406  
D811,306 S \* 2/2018 Schlup, Jr. .... D12/222  
10,207,650 B1 \* 2/2019 Banegas ..... B62D 33/0207  
D874,383 S \* 2/2020 Hammer ..... D12/406  
10,584,021 B2 \* 3/2020 Weiss ..... B62B 3/0618  
2007/0080024 A1 \* 4/2007 Langenkamp ..... B66F 9/205  
187/222  
2008/0121672 A1 \* 5/2008 Ripaldi ..... B60R 9/06  
224/498  
2013/0229025 A1 \* 9/2013 Johnsen ..... B60R 9/045  
296/3  
2017/0361877 A1 \* 12/2017 Corona ..... B62D 33/0207

OTHER PUBLICATIONS

Jungheinrich 11,000 lbs EZS 350a Automated Guided Vehicle Electric Tow Tractor NA, WisconsinLift.com, [online], [site visited Jun. 6, 2020]. <URL: <https://www.wisconsinlift.com/product/jungheinrich-ezs350a/>> (Year: 2020).\*

Polaris Sets Industry Standard with New Taylor-Dunn Stand-Up Tow Tractor, SDCexec.com, Mar. 10, 2020, [online], [site visited Jun. 6, 2020]. <URL: <https://www.sdcexec.com/software-technology/press-release/21120600/polaris-polaris-sets-industry-standard-with-new-taylordunn-standup-tow-tractor/>> (Year: 2020).\*

Raymond Introduces 3020 Tow Tractor Lift Truck in Collaboration with Seegrid, BusinessWire.com, Nov. 15, 2016 07:00 AM Eastern Standard Time, [online], [site visited Jun. 6, 2020]. <URL: <https://www.businesswire.com/news/honne/20161115005372/en/Raymond-Introduces-3020-Tow-Tractor-Automated-Lift/>> (Year: 2016).\*

\* cited by examiner

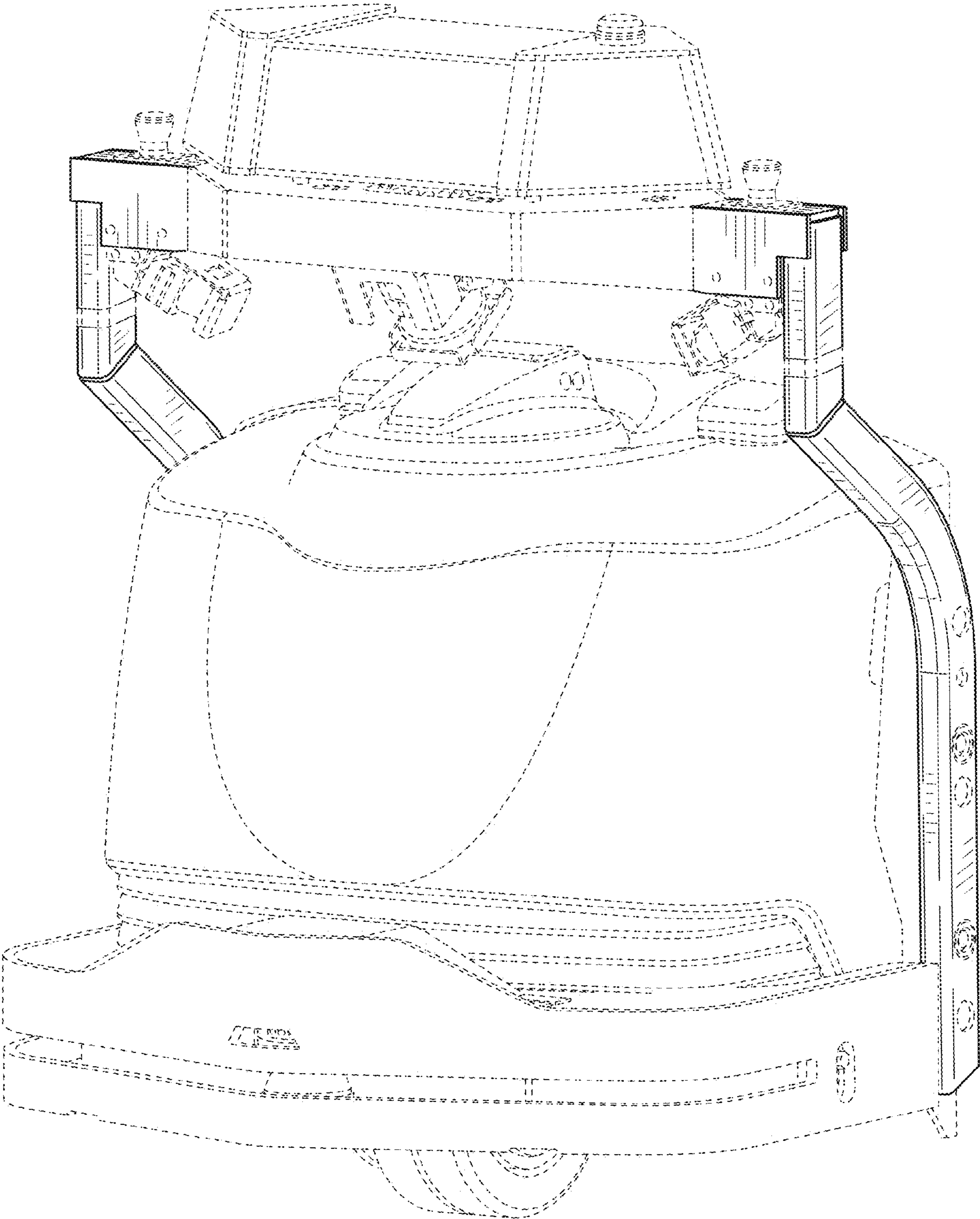


FIG. 1

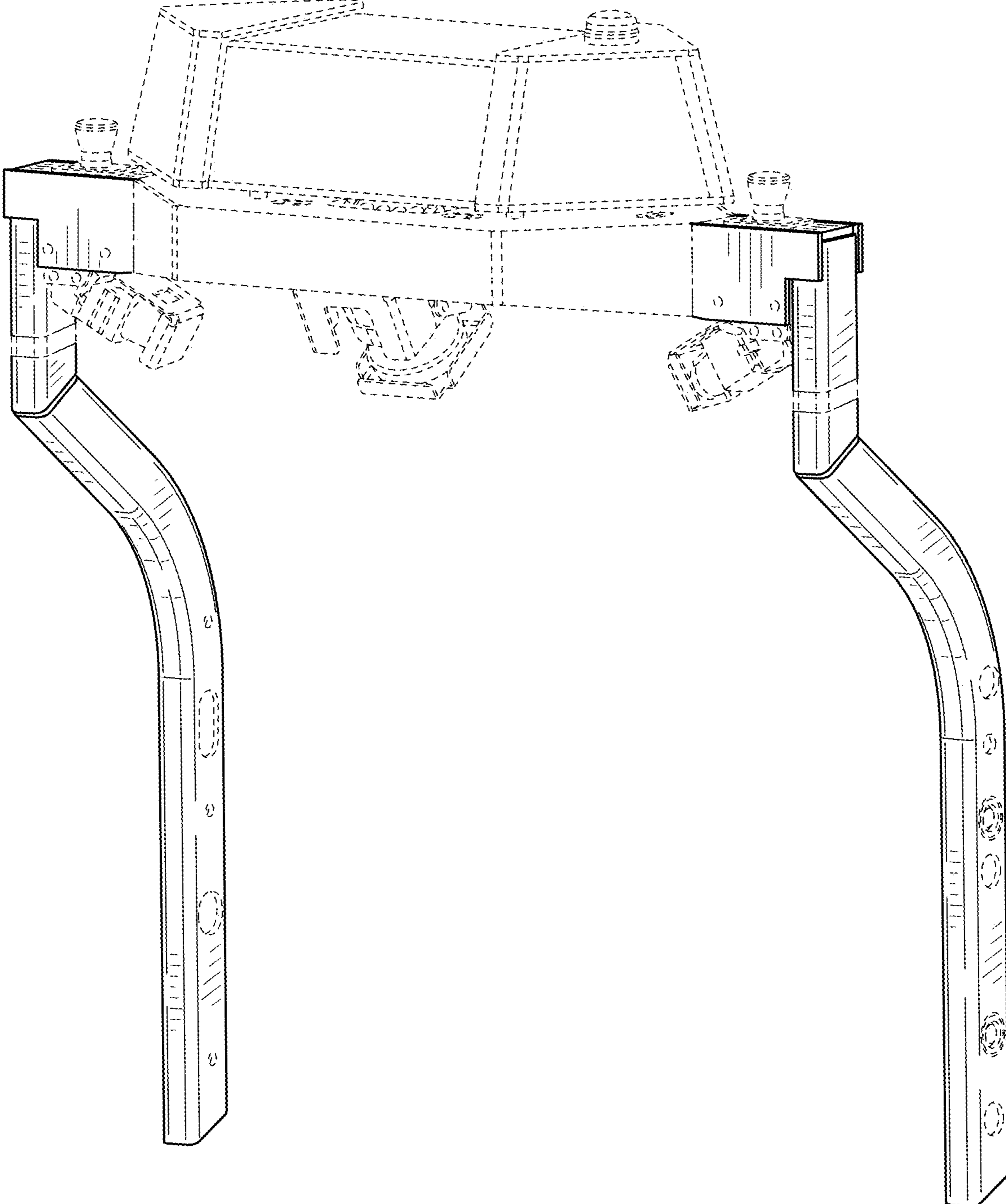


FIG. 2

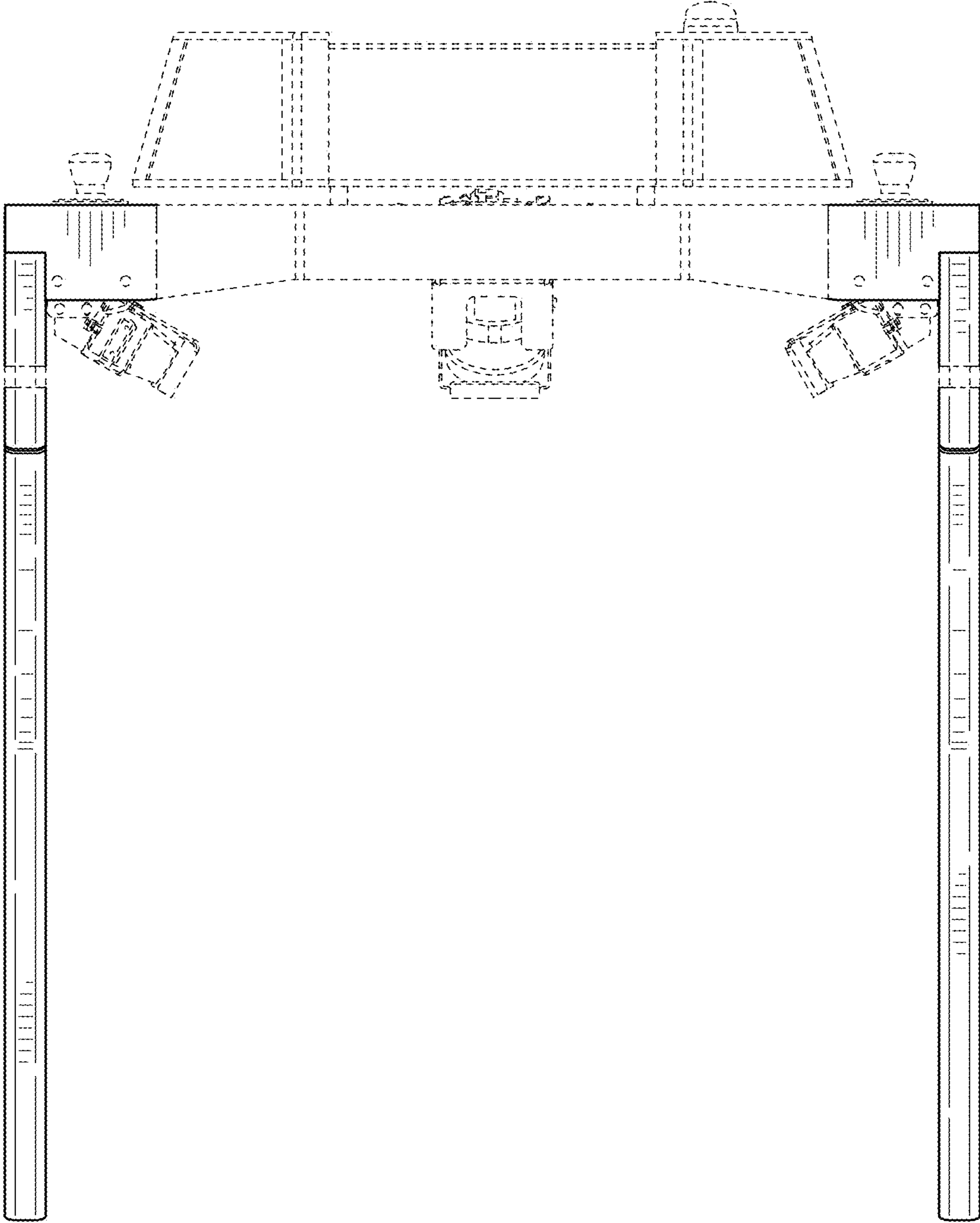


FIG. 3

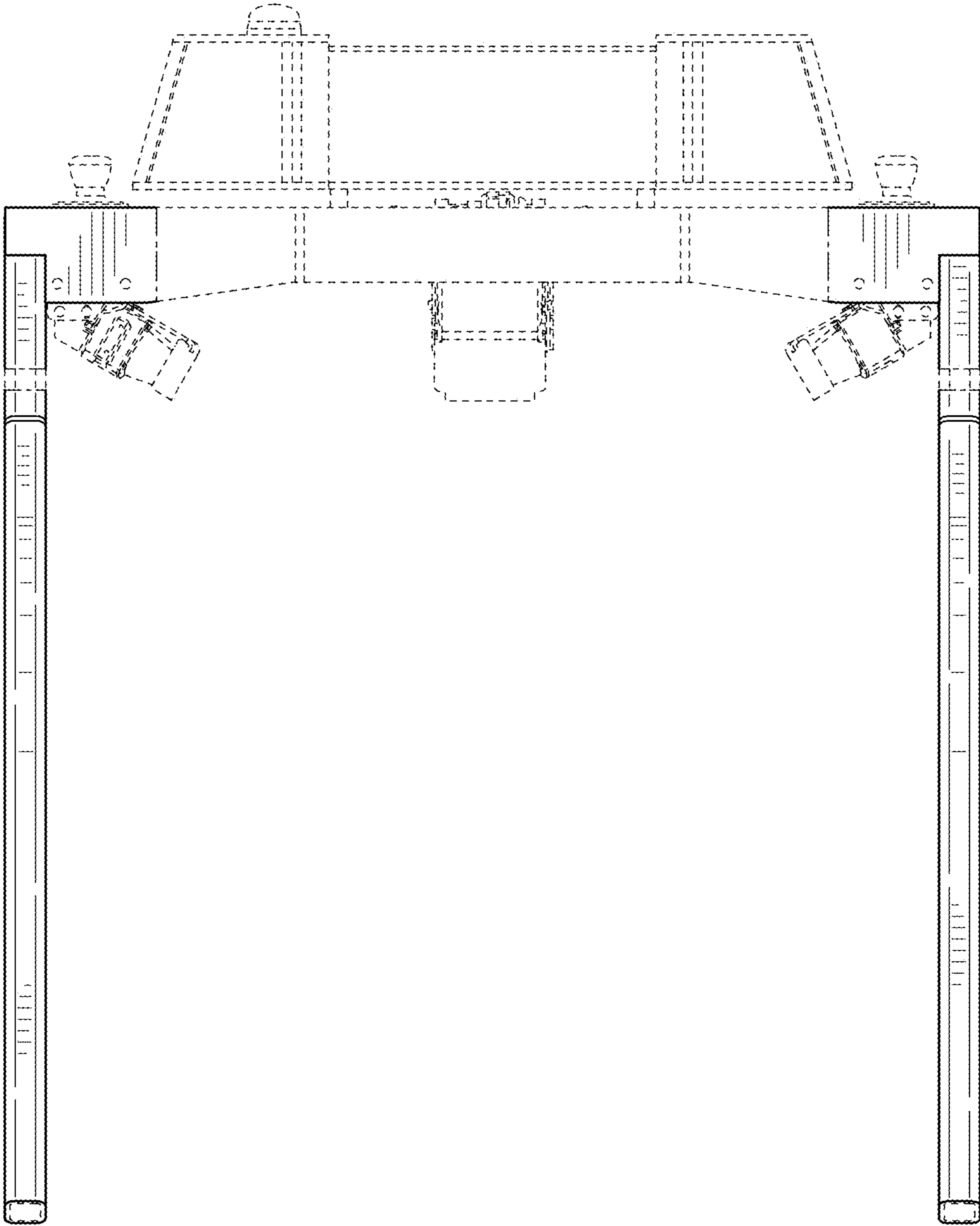


FIG. 4

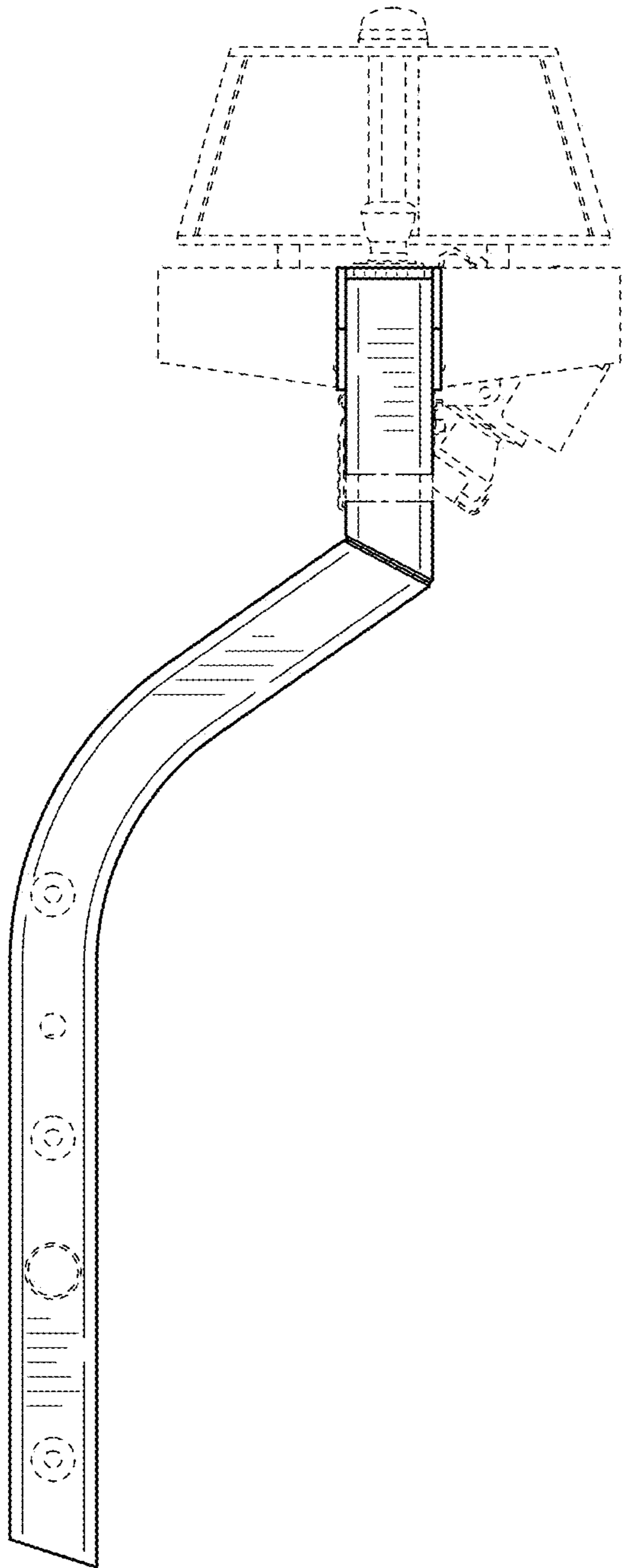


FIG. 5

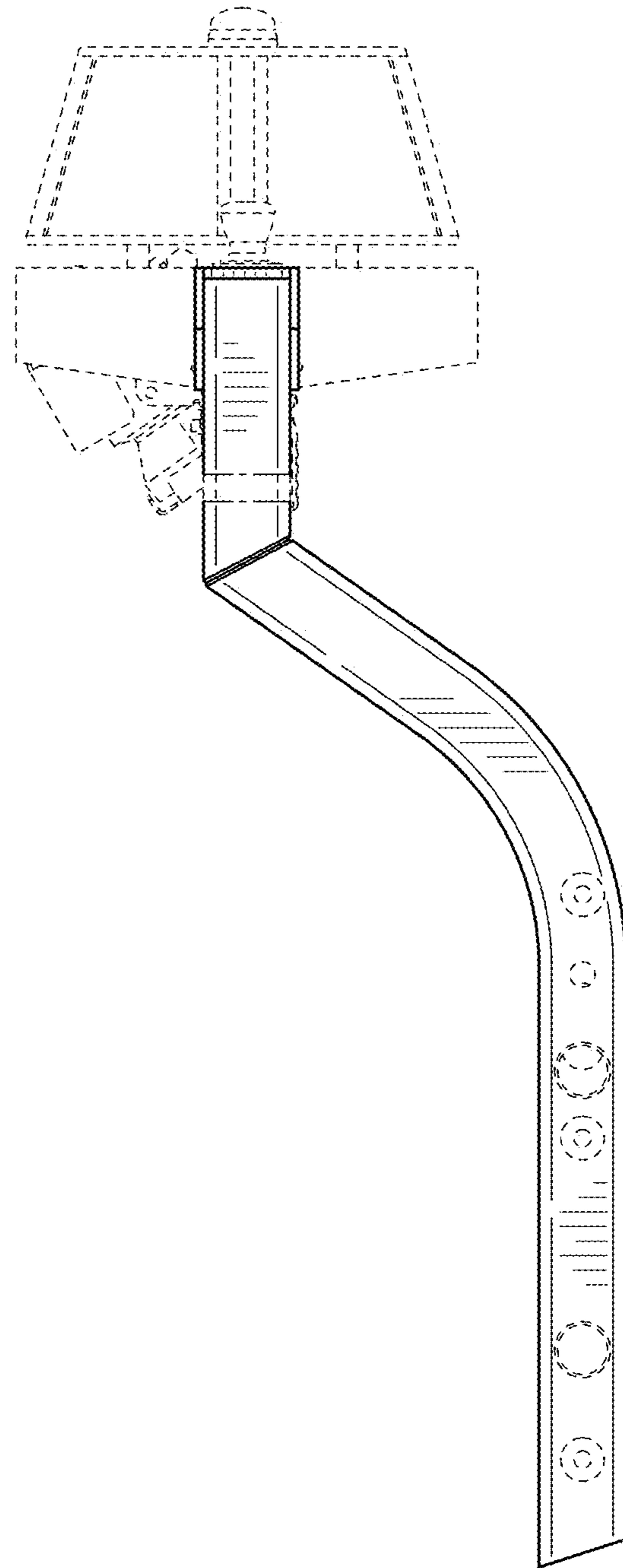


FIG. 6

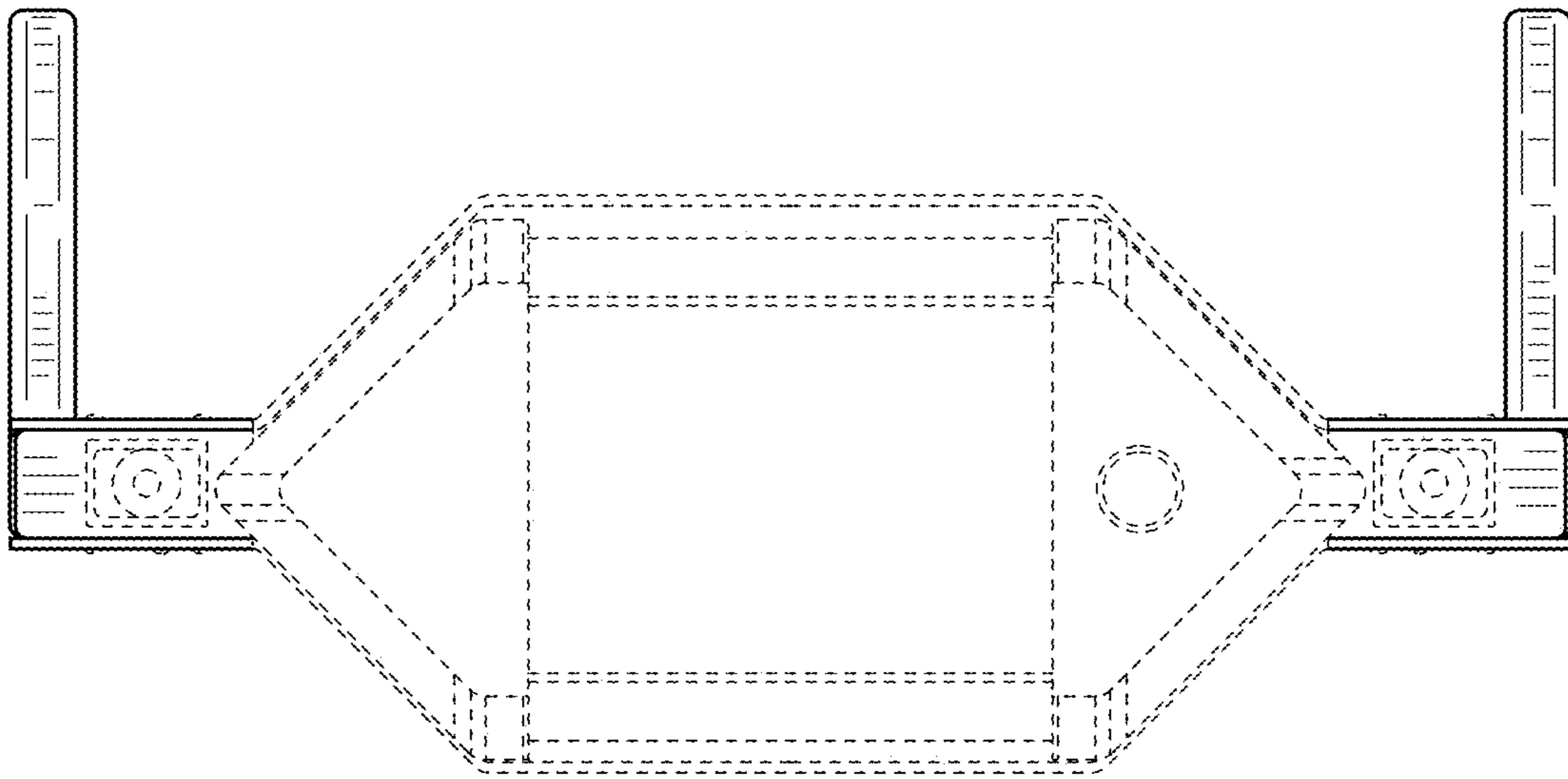


FIG. 7

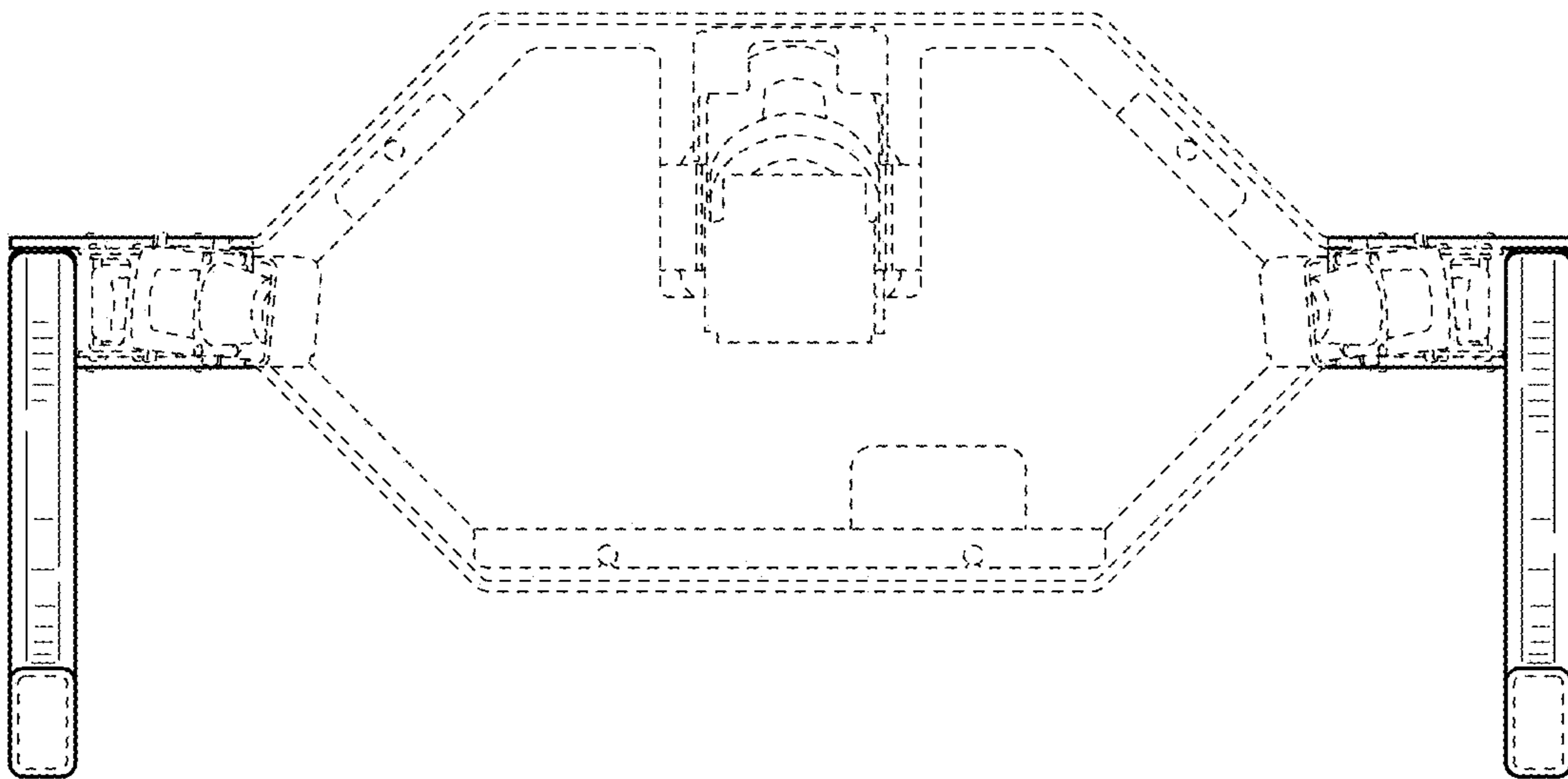


FIG. 8