

US00D907562S

(12) **United States Design Patent**
Iverson et al.

(10) **Patent No.:** **US D907,562 S**
(45) **Date of Patent:** **** Jan. 12, 2021**

(54) **WINGED NUT**

(71) Applicant: **MacNeil IP LLC**, Bolingbrook, IL (US)

(72) Inventors: **David S. Iverson**, Oak Brook, IL (US);
David F. MacNeil, Fort Lauderdale, IL (US); **Frederick W. Masanek, Jr.**,
Barrington, IL (US)

(73) Assignee: **MACNEIL IP LLC**, Bolingbrook, IL (US)

(**) Term: **15 Years**

(21) Appl. No.: **29/683,839**

(22) Filed: **Mar. 15, 2019**

Related U.S. Application Data

(62) Division of application No. 29/611,434, filed on Jul. 21, 2017, now Pat. No. Des. 852,723.

(51) **LOC (13) Cl.** **12-16**

(52) **U.S. Cl.**

USPC **D12/400**; D8/398

(58) **Field of Classification Search**

USPC D12/400; D8/398, 397; D23/259, 262

CPC E04H 17/16

See application file for complete search history.

(56) **References Cited**

U.S. PATENT DOCUMENTS

2,219,169 A	10/1940	Alter	
2,891,257 A	6/1959	Posey	
2,903,227 A	9/1959	Key	
2,982,579 A	5/1961	Greenwald	
3,044,800 A	7/1962	Wicker	
3,949,706 A	4/1976	Coon	
4,653,562 A	3/1987	Moss et al.	
D302,243 S *	7/1989	Gonzalez D8/398
4,870,925 A	10/1989	Troutman	

4,986,706 A	1/1991	Williams	
D326,076 S	5/1992	Wiese	
5,295,601 A *	3/1994	Bostelman B65D 35/44 220/287
5,363,618 A	11/1994	Underwood	
5,409,029 A	4/1995	Davis	
D373,305 S *	9/1996	Decursu D8/398

(Continued)

OTHER PUBLICATIONS

Heininger 3048 Portable Pet Partition posted to amazon.com. Available date: Mar. 18, 2009 [site visited Sep. 29, 2020] Available: <https://www.amazon.com/Heininger-3048-PortablePET-Partition-adjustable/dp/B001XCBCQK/ref=psdc_3024182011_t3_B0132KMYF8> (Year: 2009).*

(Continued)

Primary Examiner — Kevin K Rudzinski

(74) *Attorney, Agent, or Firm* — Perkins IP Law Group LLC; Jefferson Perkins

(57) **CLAIM**

We claim the ornamental design for a winged nut, as shown and described.

DESCRIPTION

FIG. 1 is a top perspective view of the claimed design for a winged nut;

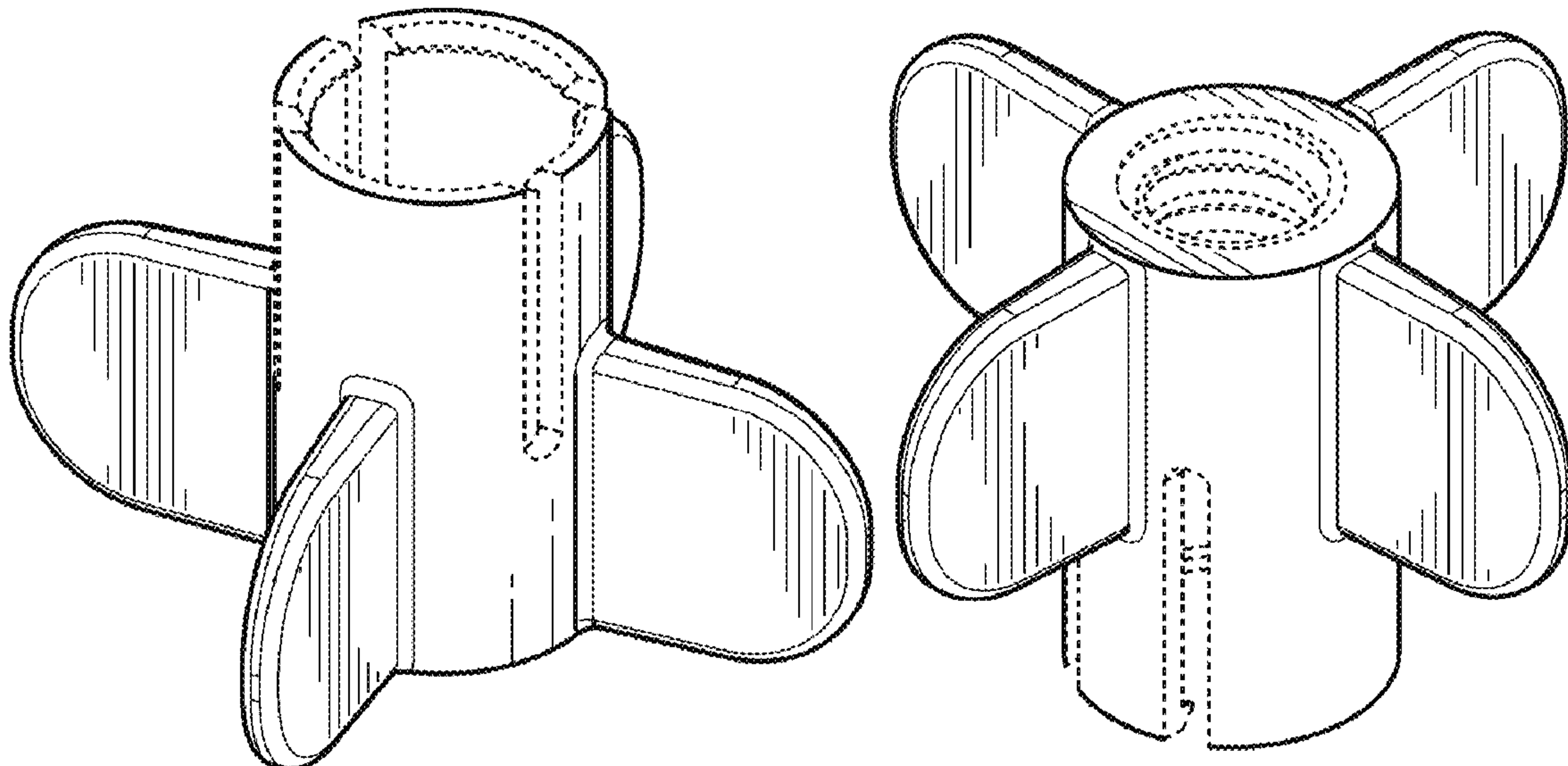
FIG. 2 is a bottom perspective view of the wing nut shown in FIG. 1;

FIG. 3 is a side view of the wing nut shown in FIG. 1, an opposite side view thereof being identical to the side shown; FIG. 4 is a bottom view of the wing nut shown in FIG. 1; and,

FIG. 5 is a top view of the wing nut shown in FIG. 1.

The dashed lines on the claimed design in FIGS. 1-5 depict environmental structure that form no part of the claimed design.

1 Claim, 1 Drawing Sheet



(56)

References Cited

U.S. PATENT DOCUMENTS

D390,923 S * 2/1998 Stevens D23/262
 D393,589 S * 4/1998 Berti D8/398
 D393,622 S 4/1998 Goertzen
 5,800,145 A 9/1998 Kelce
 5,824,253 A 10/1998 Kassardjian et al.
 5,924,469 A 7/1999 Whittemore
 6,012,753 A 1/2000 Ordoyne et al.
 D433,354 S 11/2000 Donets
 6,499,434 B1 12/2002 Tyler
 D473,838 S 4/2003 Wang
 D479,585 S * 9/2003 Mulligan D23/259
 D494,056 S * 8/2004 Clendenning D15/29
 6,799,534 B1 10/2004 Wang
 6,848,732 B2 2/2005 Green
 D508,980 S * 8/2005 Bigelow D23/262
 6,923,487 B1 8/2005 Wang
 7,017,520 B2 3/2006 Wang
 D528,965 S 9/2006 Wang
 D553,716 S * 10/2007 Lockard D23/259
 D558,306 S * 12/2007 McCluskey D23/264
 D572,115 S 7/2008 Cunningham et al.
 D579,759 S * 11/2008 Strait D8/349
 D594,937 S * 6/2009 Price D23/259
 D596,272 S * 7/2009 Price D23/259
 D600,546 S * 9/2009 Scilingo D8/397
 7,900,801 B2 3/2011 Huang
 8,226,056 B2 7/2012 Kallman
 8,678,021 B2 3/2014 Vasilatos et al.
 D702,543 S * 4/2014 Bell D8/397
 8,746,266 B2 6/2014 Palmer et al.
 D715,902 S * 10/2014 Malaker D23/262
 8,864,001 B2 10/2014 Langseder
 D717,408 S * 11/2014 Malaker D23/262
 D718,102 S * 11/2014 Cross D8/14.1
 D722,942 S 2/2015 Renforth et al.
 D724,936 S * 3/2015 Coronado D8/397
 8,973,964 B2 3/2015 Link et al.
 D729,723 S 5/2015 Reed
 D733,264 S * 6/2015 Fain D23/262
 D738,712 S 9/2015 Cooper
 D741,480 S 10/2015 Chavan et al.
 9,174,599 B2 11/2015 Wang
 D764,161 S 8/2016 Vasilatos et al.

9,421,932 B2 8/2016 Renforth et al.
 D771,898 S 11/2016 Albuja
 D776,587 S 1/2017 Nussbaumer
 9,566,923 B2 2/2017 Wylezinski
 D785,140 S * 4/2017 Gross D23/259
 9,822,807 B2 11/2017 Link et al.
 D808,786 S 1/2018 Nehl
 D812,334 S 3/2018 Grimes
 9,963,078 B1 5/2018 Zimmermann et al.
 D819,531 S 6/2018 Ye
 D821,955 S 7/2018 Dexter
 D822,291 S 7/2018 Spinelli et al.
 D837,047 S * 1/2019 Lin D8/397
 10,183,644 B1 * 1/2019 Iverson B60R 21/026
 2003/0057722 A1 3/2003 Dolman
 2007/0210597 A1 9/2007 Wang
 2008/0005967 A1 1/2008 Johnson et al.
 2011/0023788 A1 2/2011 Beechie
 2011/0185867 A1 8/2011 MacNeil et al.
 2012/0181808 A1 7/2012 Reed et al.
 2013/0291913 A1 11/2013 Soletski et al.
 2014/0190089 A1 7/2014 Alarcon et al.
 2014/0196394 A1 7/2014 Greeson et al.
 2015/0104285 A1 4/2015 Quinn
 2016/0095431 A1 4/2016 Chen
 2016/0333602 A1 * 11/2016 Veness E04H 17/161
 2016/0339314 A1 11/2016 Parsons
 2017/0108024 A1 4/2017 Mayer
 2018/0050738 A1 2/2018 Lee
 2018/0185724 A1 7/2018 Lalaoua

OTHER PUBLICATIONS

MacNeil Automotive Products Limited, WeatherTech Pet Barrier, Instruction Manual, 3 pages, Mar. 2002.
 MacNeil Automotive Products Limited, WeatherTech Pet Barrier, Extension Instruction Manual, 3 pages, Mar. 2002.
 Highland 2004500 Black Universal Pet Barrier, image post date Nov. 21, 2013, site visited Jul. 13, 2018, (online), www.amazon.com.
 Expawlorer Vehicle Pet Barrier for SUV Dog Car Guard, image post date Feb. 4, 2017, site visited Jul. 13, 2018, (online), www.amazon.com.

* cited by examiner

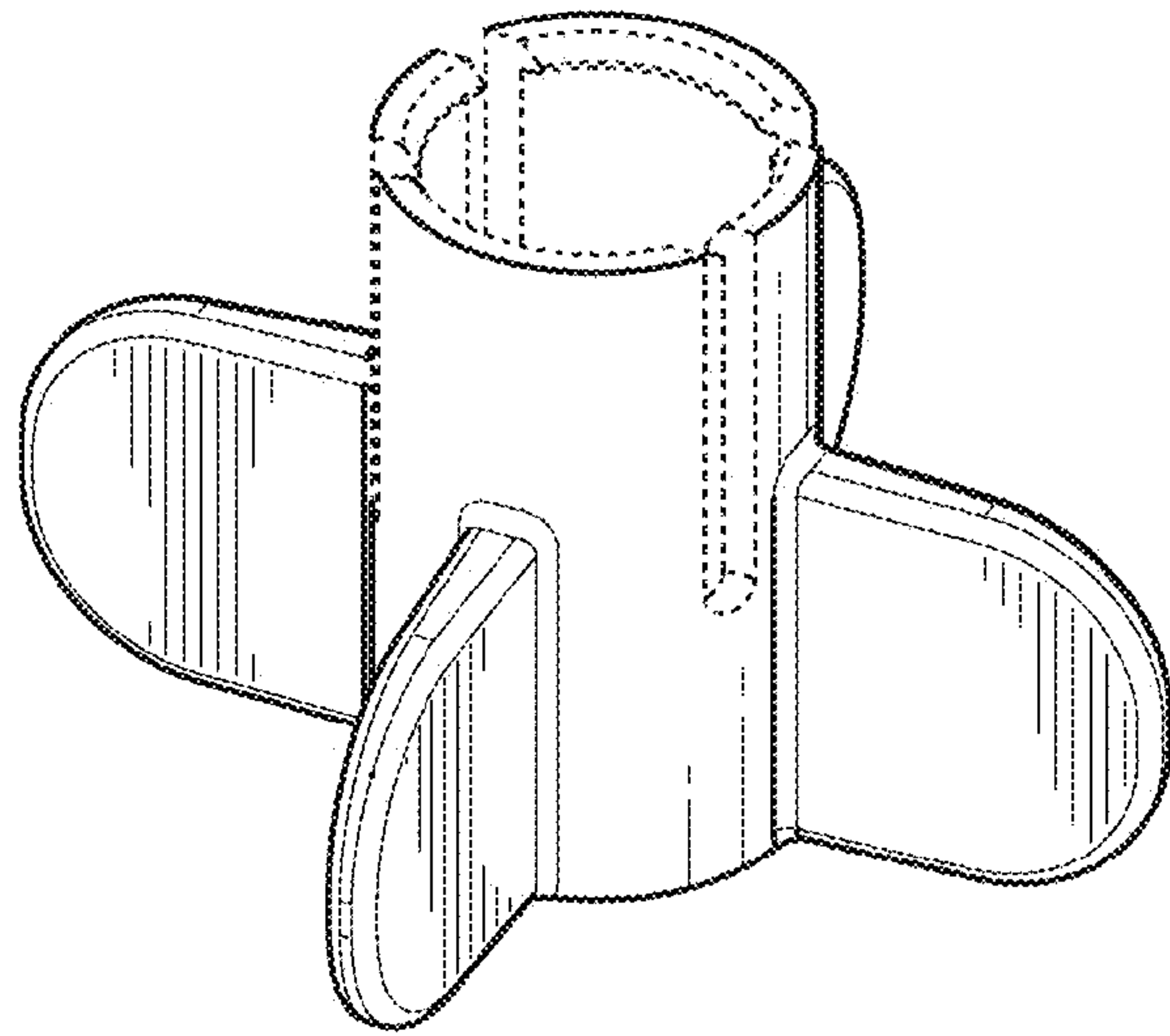


FIG. 1

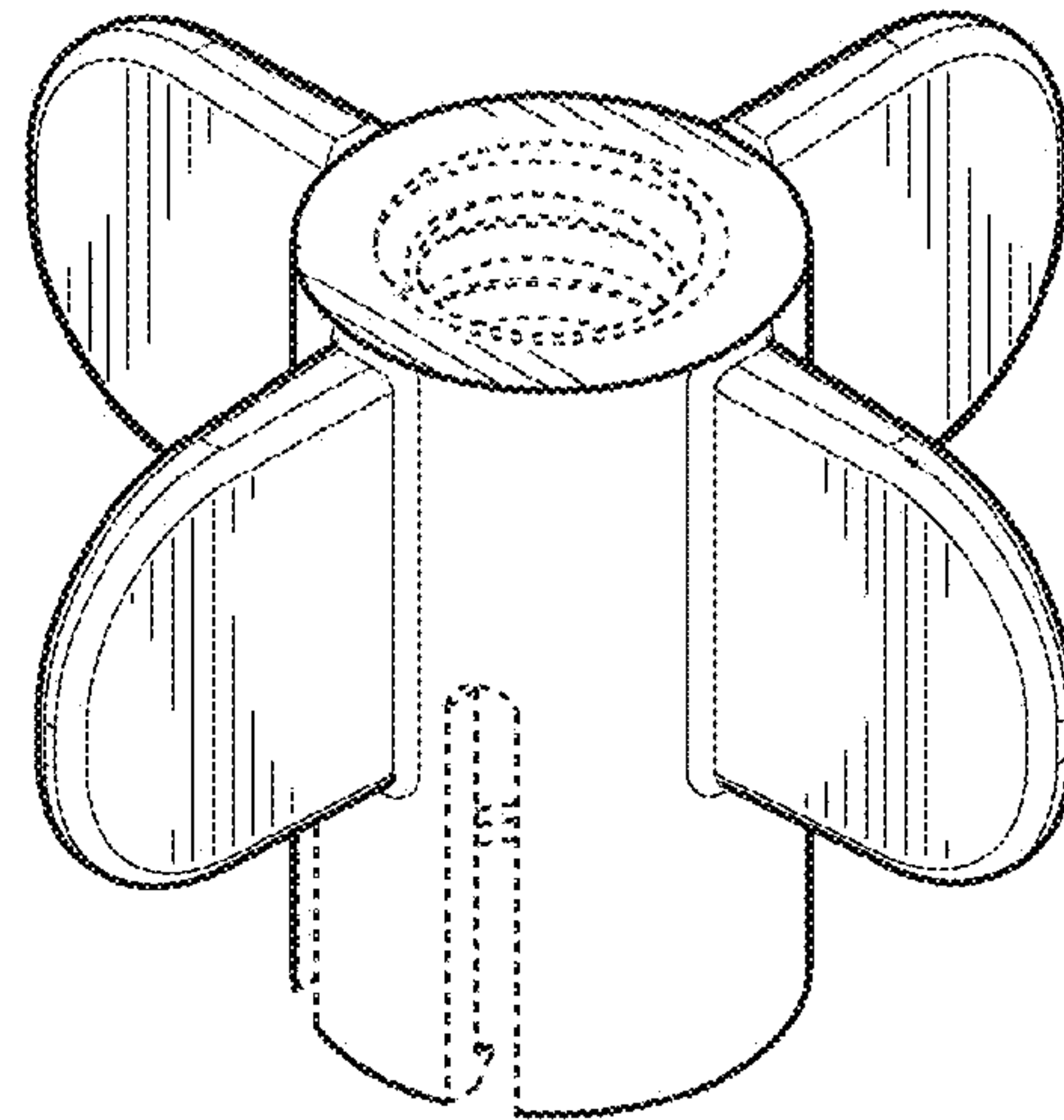


FIG. 2

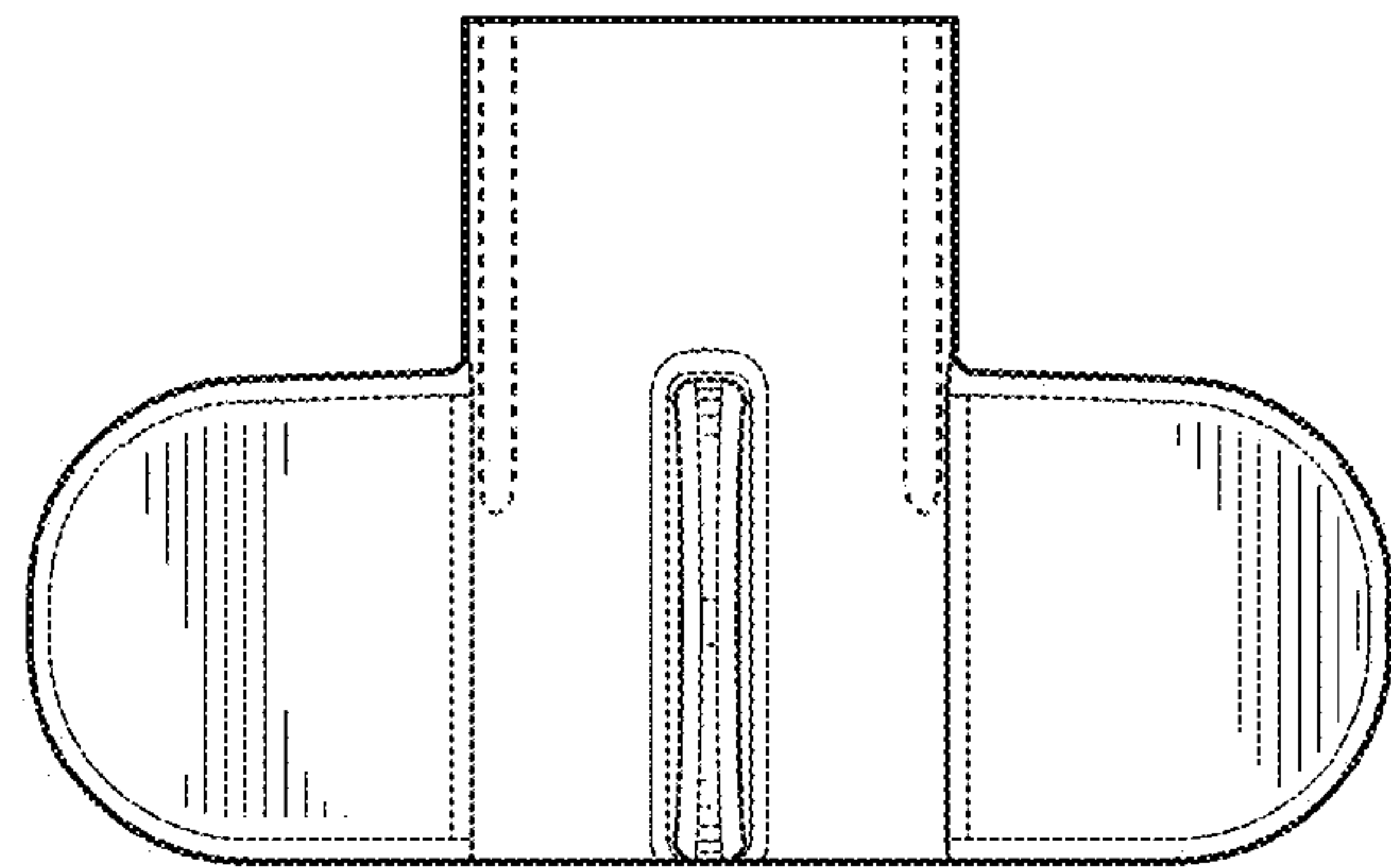


FIG. 3

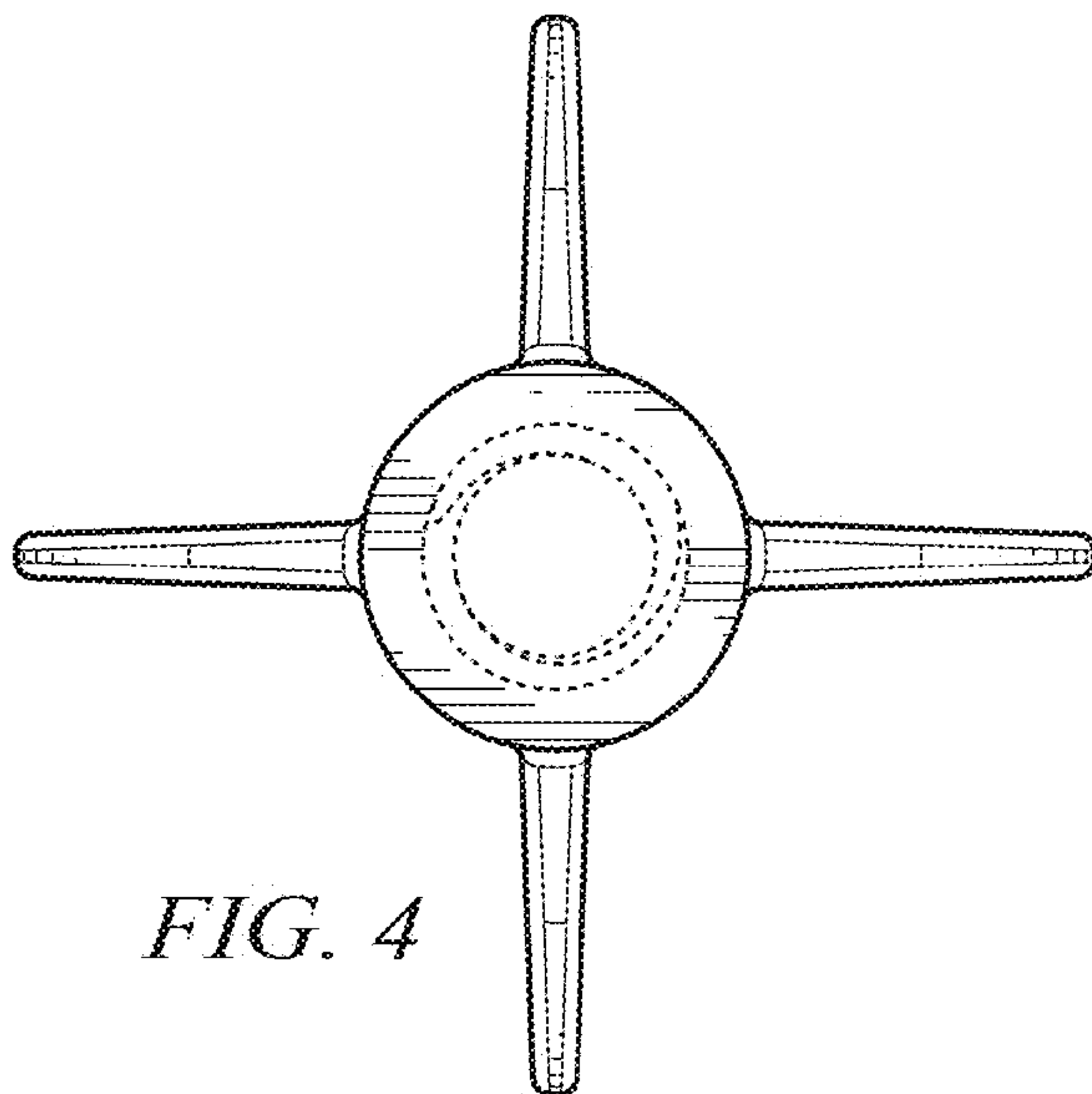


FIG. 4

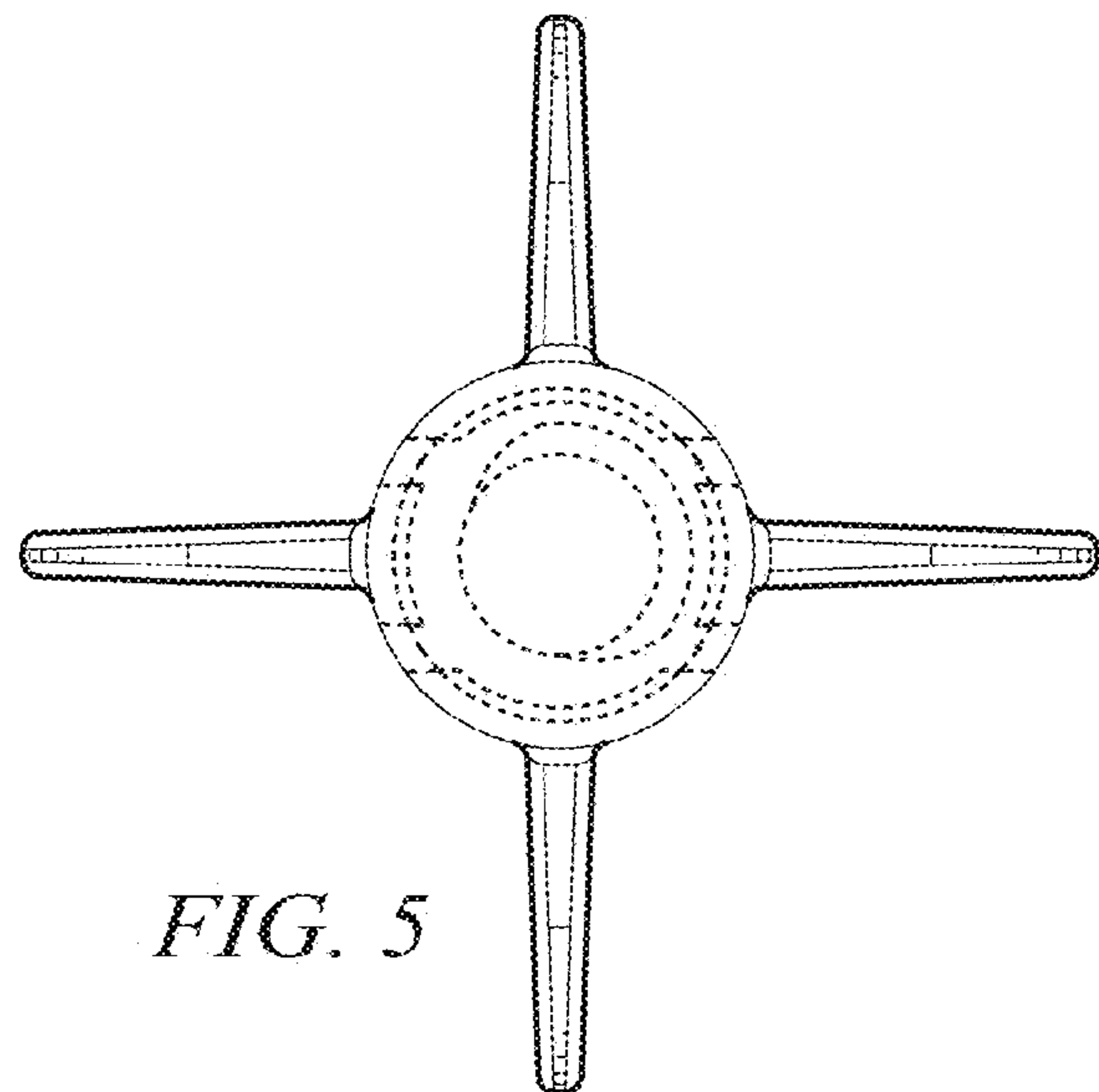


FIG. 5