



US00D907561S

(12) **United States Design Patent**  
**Iverson et al.**

(10) **Patent No.:** **US D907,561 S**

(45) **Date of Patent:** **\*\* Jan. 12, 2021**

(54) **ELASTOMERIC FOOT**

(71) Applicant: **MacNeil IP LLC**, Bolingbrook, IL (US)

(72) Inventors: **David S. Iverson**, Oak Brook, IL (US);  
**David F. MacNeil**, Fort Lauderdale, IL (US); **Frederick W. Masanek, Jr.**,  
Barrington, IL (US)

(73) Assignee: **MACNEIL IP LLC**, Bolingbrook, IL (US)

(\*\*) Term: **15 Years**

(21) Appl. No.: **29/683,811**

(22) Filed: **Mar. 15, 2019**

**Related U.S. Application Data**

(62) Division of application No. 29/611,434, filed on Jul. 21, 2017, now Pat. No. Des. 852,723.

(51) **LOC (13) Cl.** ..... **12-16**

(52) **U.S. Cl.**  
USPC ..... **D12/400**

(58) **Field of Classification Search**  
USPC ..... D12/400; D8/398, 397, 354; D23/135  
CPC ..... E04H 17/16  
See application file for complete search history.

(56) **References Cited**

**U.S. PATENT DOCUMENTS**

2,219,169 A	10/1940	Alter	
2,891,257 A	6/1959	Posey	
2,903,227 A	9/1959	Key	
2,982,579 A	5/1961	Greenwald	
3,044,800 A *	7/1962	Wicker	B60R 21/026 280/748
3,949,706 A	4/1976	Coon	
4,653,562 A	3/1987	Moss et al.	

4,870,925 A 10/1989 Troutman  
4,986,706 A 1/1991 Williams  
D326,076 S 5/1992 Wiese

(Continued)

**OTHER PUBLICATIONS**

Midwest Tubular Dog Car Barrier posted to amazon.com. Available date: Nov. 1, 2000 [site visited Sep. 29, 2020] Available: <<https://www.amazon.com/Bar-Tubular-Pet-Vehicle-Barrier/dp/B00006IGSK?th=1>> (Year: 2000).\*

(Continued)

*Primary Examiner* — Kevin K Rudzinski

(74) *Attorney, Agent, or Firm* — Perkins IP Law Group LLC; Jefferson Perkins

(57) **CLAIM**

The ornamental design for an elastomeric foot, as shown and described.

**DESCRIPTION**

FIG. 1 is a top perspective view of the claimed design for an elastomeric foot;

FIG. 2 is top view of the elastomeric foot shown in FIG. 1; FIG. 3 is a bottom view of the elastomeric foot shown in FIG. 1;

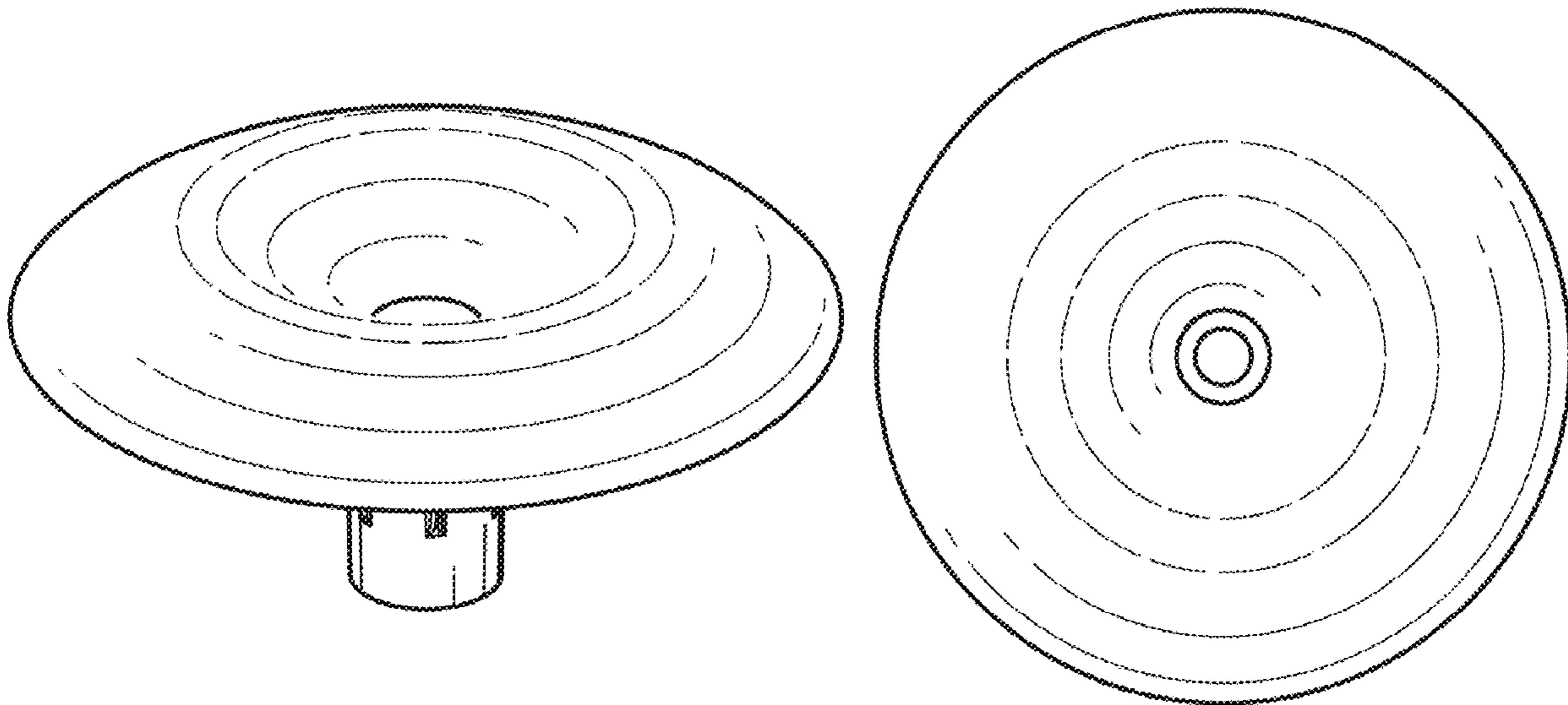
FIG. 4 is a view of one side the elastomeric foot shown in FIG. 1, an opposed side therefore being identical to the side shown;

FIG. 5 is a view of a side of the foot shown in FIG. 1, taken from a viewpoint ninety degrees removed from the viewpoint used in FIG. 4, an opposed side thereof being identical to the side shown; and,

FIG. 6 is a bottom perspective view of the elastomeric foot shown in FIG. 1.

The dashed lines on the claimed design in FIGS. 3 and 6 depict environmental structure that form no part of the claimed design.

**1 Claim, 1 Drawing Sheet**



(56)

References Cited

U.S. PATENT DOCUMENTS

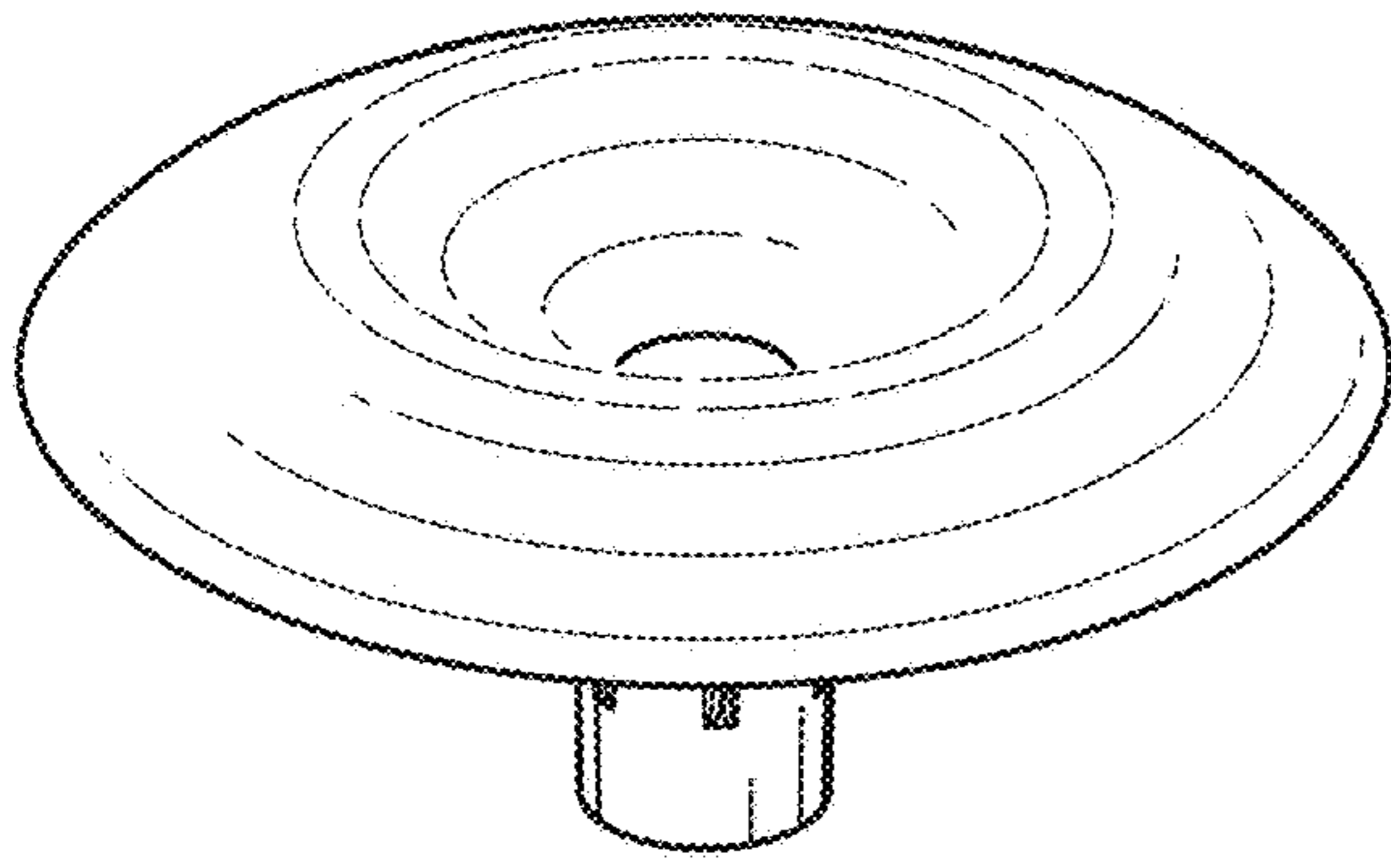
5,217,419 A \* 6/1993 Harwood ..... A61H 3/00  
135/65  
5,363,618 A 11/1994 Underwood  
5,409,029 A 4/1995 Davis  
D382,788 S \* 8/1997 Wages ..... D8/51  
D393,622 S 4/1998 Goertzen  
5,800,145 A 9/1998 Kelce  
5,824,253 A 10/1998 Kassardjian et al.  
D408,268 S \* 4/1999 Dunn ..... D8/354  
5,924,469 A 7/1999 Whittemore  
D416,631 S \* 11/1999 Schimmelpfennig ..... D25/135  
6,012,753 A 1/2000 Ordoyne et al.  
D433,354 S 11/2000 Donets  
D460,571 S \* 7/2002 Schimmelpfennig ... E04C 5/161  
D25/135  
6,499,434 B1 12/2002 Tyler  
D473,838 S 4/2003 Wang  
6,582,169 B1 \* 6/2003 Cano-Rodriguez ..... B60P 7/15  
410/122  
6,799,534 B1 10/2004 Wang  
6,848,732 B2 2/2005 Green  
6,923,487 B1 8/2005 Wang  
7,017,520 B2 3/2006 Wang  
D528,965 S 9/2006 Wang  
D572,115 S 7/2008 Cunningham et al.  
7,716,898 B1 \* 5/2010 Dunn ..... E04G 21/3252  
52/689  
7,900,801 B2 3/2011 Huang  
D662,402 S \* 6/2012 Elkaim ..... D8/376  
8,226,056 B2 7/2012 Kallman  
8,678,021 B2 3/2014 Vasilatos et al.  
8,746,266 B2 6/2014 Palmer et al.  
8,864,001 B2 10/2014 Langseder  
D722,942 S 2/2015 Renforth et al.  
8,973,964 B2 3/2015 Link et al.  
D729,723 S 5/2015 Reed  
D737,120 S \* 8/2015 Recker ..... D8/354  
D738,712 S 9/2015 Cooper  
D741,480 S 10/2015 Chavan et al.  
9,174,599 B2 11/2015 Wang  
D762,458 S \* 8/2016 Horne ..... D8/354  
D764,161 S 8/2016 Vasilatos et al.  
9,421,932 B2 8/2016 Renforth et al.  
D771,898 S 11/2016 Albuja  
D776,587 S 1/2017 Nussbaumer  
9,566,923 B2 2/2017 Wylezinski

9,822,807 B2 11/2017 Link et al.  
D808,786 S 1/2018 Nehl  
D812,334 S 3/2018 Grimes  
9,963,078 B1 5/2018 Zimmermann et al.  
D819,531 S 6/2018 Ye  
D821,955 S 7/2018 Dexter  
D822,291 S 7/2018 Spinelli et al.  
10,183,644 B1 \* 1/2019 Iverson ..... B60R 21/026  
10,322,690 B2 \* 6/2019 Wang ..... E06B 9/02  
D889,610 S \* 7/2020 Kuna ..... D23/260  
2003/0057722 A1 3/2003 Dolman  
2007/0210597 A1 \* 9/2007 Wang ..... B60R 21/06  
296/24.43  
2008/0005967 A1 1/2008 Johnson et al.  
2009/0313927 A1 \* 12/2009 Myers, Jr. .... E04G 21/32  
52/301  
2011/0023788 A1 2/2011 Beechie  
2011/0185867 A1 8/2011 MacNeil et al.  
2012/0181808 A1 7/2012 Reed et al.  
2013/0291913 A1 11/2013 Soletski et al.  
2014/0190089 A1 7/2014 Alarcon et al.  
2014/0196394 A1 7/2014 Greeson et al.  
2015/0104285 A1 4/2015 Quinn  
2016/0095431 A1 4/2016 Chen  
2016/0333602 A1 \* 11/2016 Veness ..... E04H 17/161  
2016/0339314 A1 11/2016 Parsons  
2017/0108024 A1 4/2017 Mayer  
2018/0050738 A1 2/2018 Lee  
2018/0185724 A1 7/2018 Lalaoua

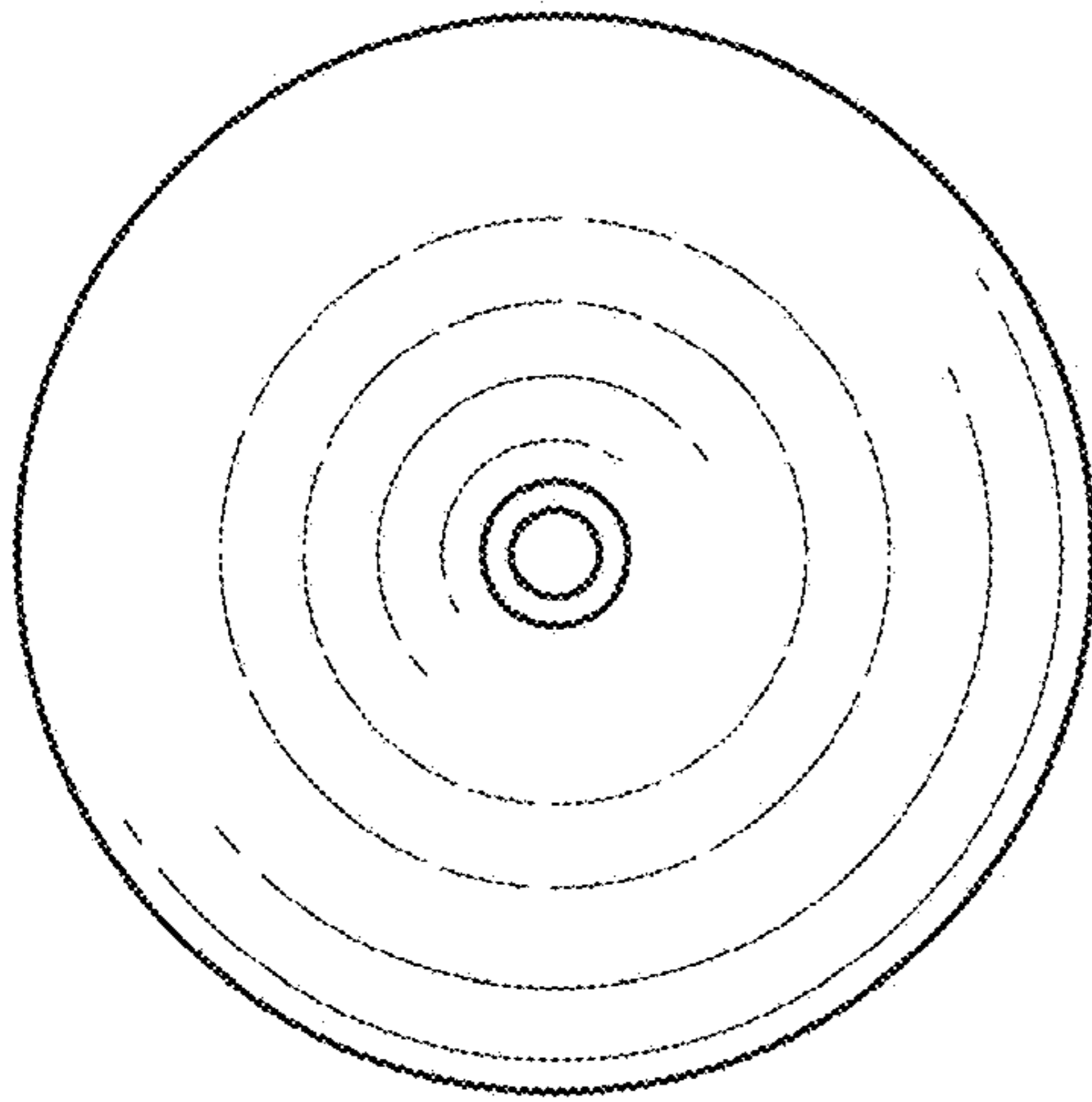
OTHER PUBLICATIONS

Guardian Gear Pet Safety Vehicle Barrier posted to amazon.com.  
Available date: Aug. 24, 2015 [site visited Sep. 29, 2020] Available:  
<<https://www.amazon.com/Guardian-Gear-Vehicle-Barrier-Minivans/dp/B0132KMYF8>> (Year: 2015).\*  
MacNeil Automotive Products Limited, WeatherTech Pet Barrier, Instruction Manual, 3 pages, Mar. 2002.  
MacNeil Automotive Products Limited, WeatherTech Pet Barrier, Extension Instruction Manual, 3 pages, Mar. 2002.  
Highland 2004500 Black Universal Pet Barrier, image post date Nov. 21, 2013, site visited Jul. 13, 2018, (online), www.amazon.com.  
Expawlorer Vehicle Pet Barrier for SUV Dog Car Guard, image post date Feb. 4, 2017, site visited Jul. 13, 2018, (online), www.amazon.com.

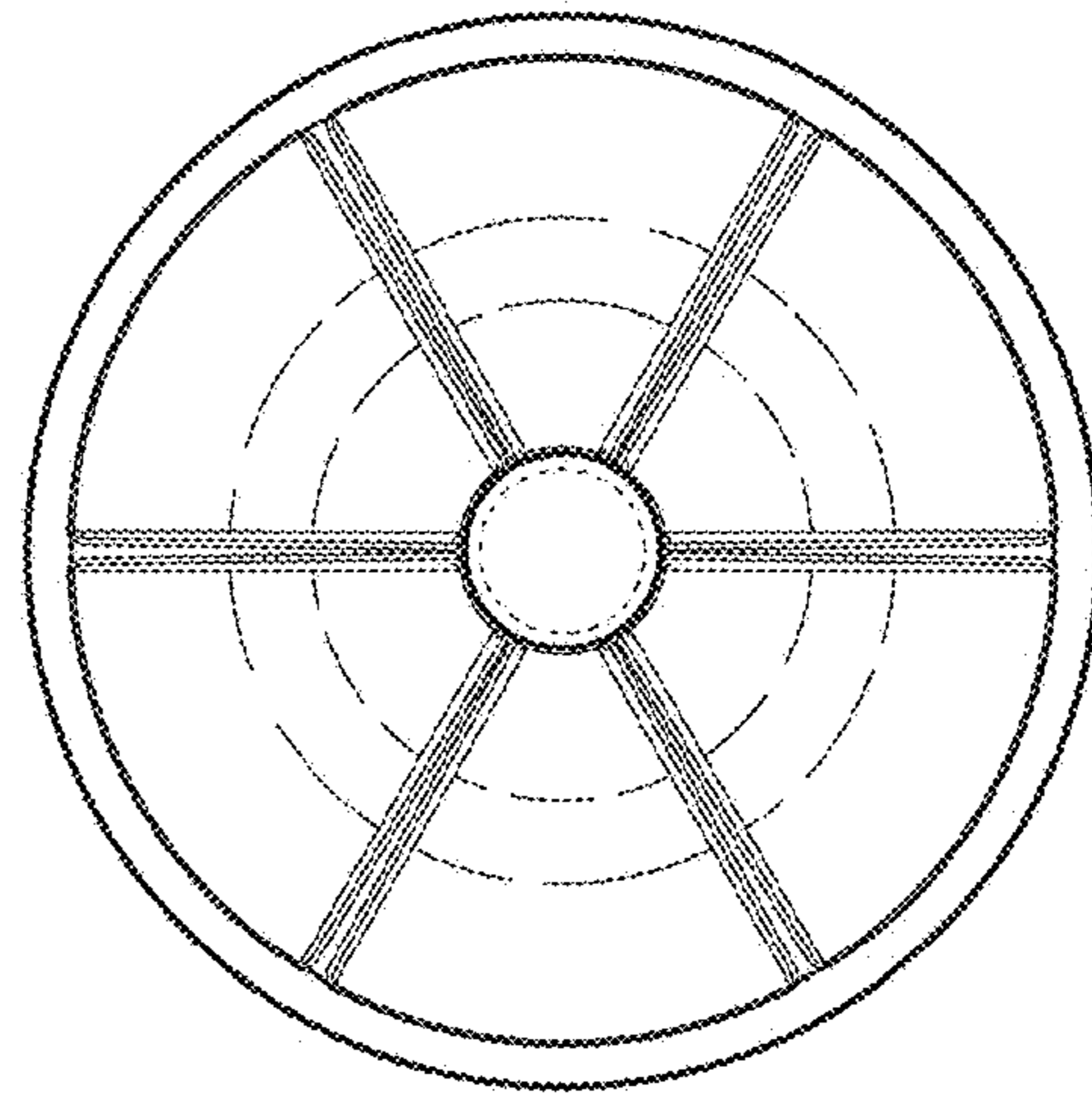
\* cited by examiner



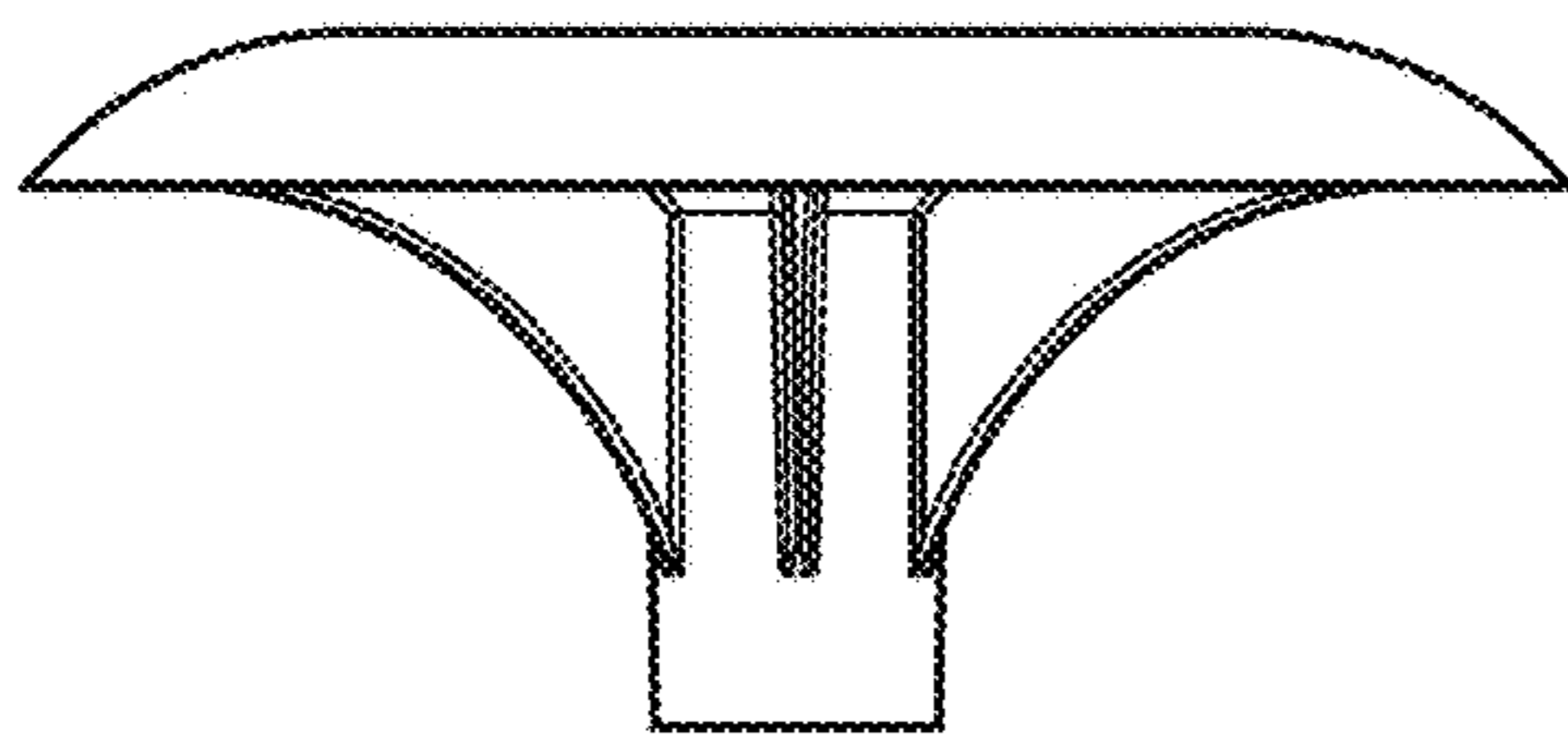
*FIG. 1*



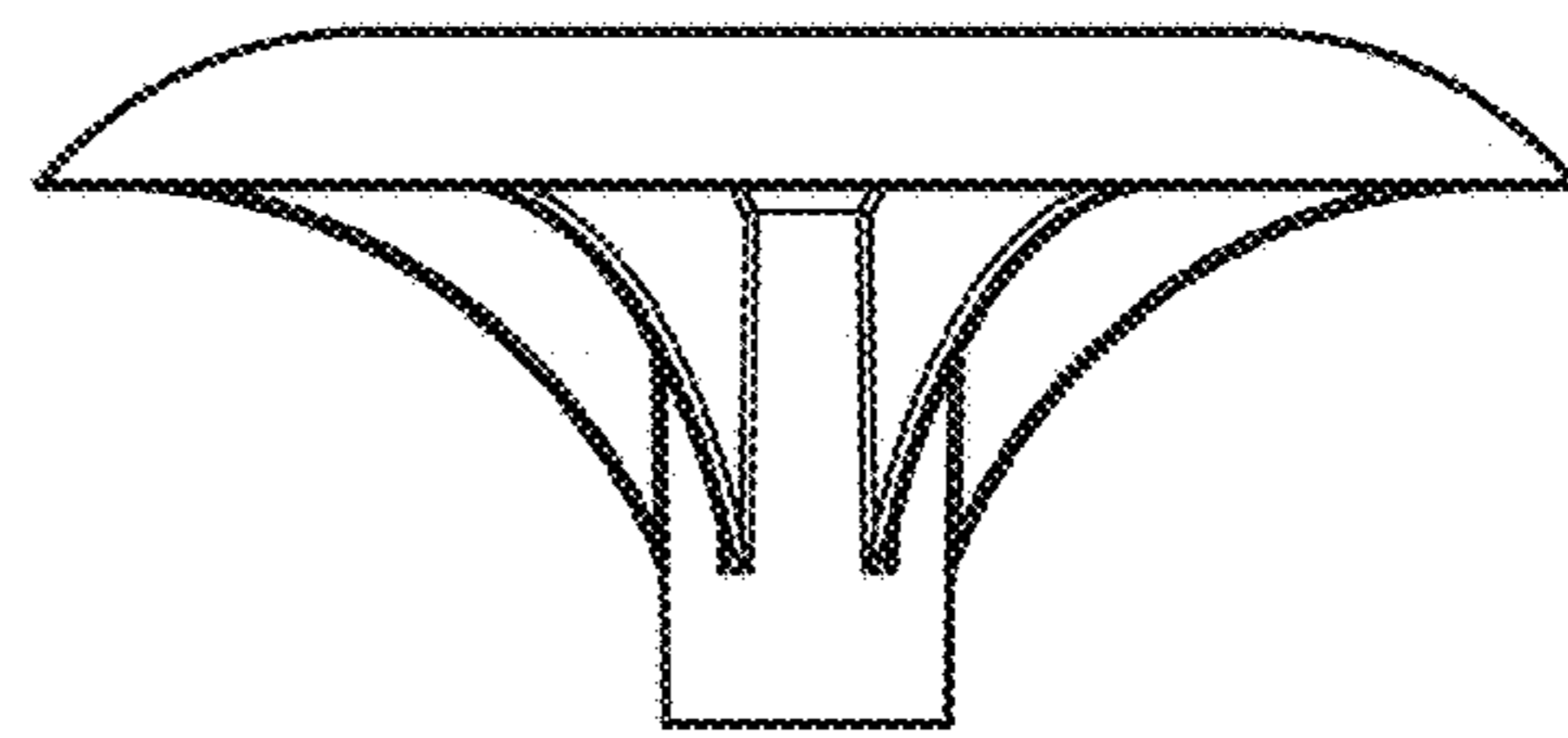
*FIG. 2*



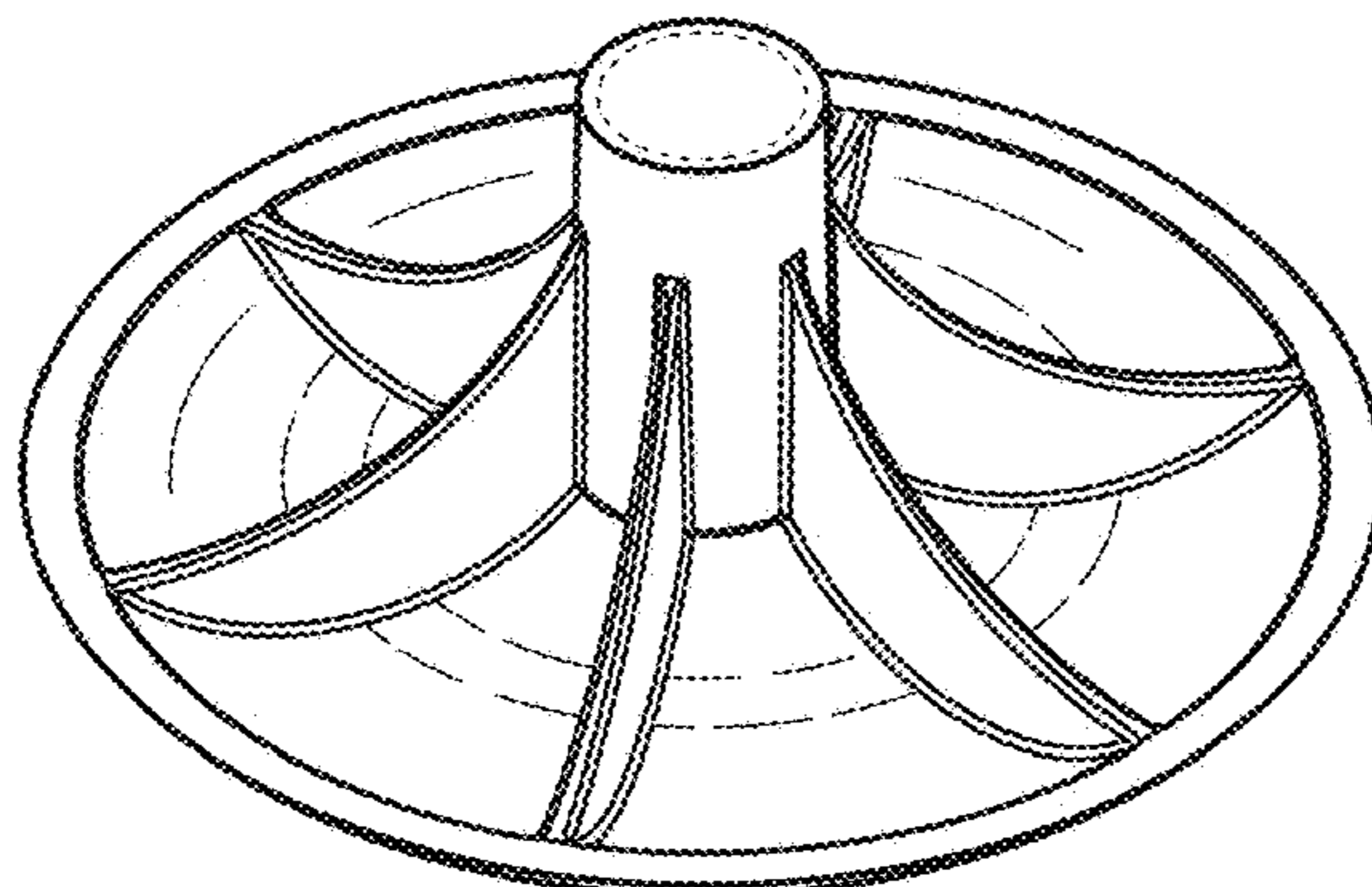
*FIG. 3*



*FIG. 4*



*FIG. 5*



*FIG. 6*