



US00D907558S

(12) **United States Design Patent**  
**Chen et al.**

(10) **Patent No.:** **US D907,558 S**  
(45) **Date of Patent:** **\*\* Jan. 12, 2021**

(54) **AERIAL VEHICLE**

D628,658 S 12/2010 Wurm  
D659,771 S 5/2012 Seydoux et al.  
8,167,234 B1 5/2012 Moore  
8,214,088 B2 7/2012 Lefebure  
(Continued)

(71) Applicant: **SZ DJI Technology Co., Ltd.**,  
Shenzhen (CN)

(72) Inventors: **Shaojie Chen**, Shenzhen (CN); **Zhen Wang**, Shenzhen (CN); **Yun Zhao**, Shenzhen (CN); **Tao Peng**, Shenzhen (CN)

**FOREIGN PATENT DOCUMENTS**

CN 302973397 S 10/2014  
CN 303465654 S 11/2015  
(Continued)

(73) Assignee: **SZ DJI Technology Co., Ltd.**,  
Shenzhen (CN)

**OTHER PUBLICATIONS**

(\*\*) Term: **15 Years**

DJI takes Super 35 airborne with Zenmuse X7 drone camera by Nick Lavars, dated Oct. 12, 2017. Found online [Oct. 4, 2019] <https://newatlas.com/dji-zenmuse-x7-super-35-drone-camera/51724/>.

(21) Appl. No.: **29/708,272**

(22) Filed: **Oct. 4, 2019**

(Continued)

**Related U.S. Application Data**

(63) Continuation of application No. 29/582,458, filed on Oct. 27, 2016, now Pat. No. Des. 862,359.

*Primary Examiner* — Marissa J Cash

(51) **LOC (13) Cl.** ..... **12-07**

(74) *Attorney, Agent, or Firm* — Sterne, Kessler, Goldstein & Fox P.L.L.C.

(52) **U.S. Cl.**

(57) **CLAIM**

USPC ..... **D12/327**

The ornamental design for an aerial vehicle, as shown and described.

(58) **Field of Classification Search**

**DESCRIPTION**

USPC ..... D12/1, 2, 3, 4, 16.1, 319–345;  
D21/437–455

CPC ..... B64C 29/0033; B64C 2201/021; B64C 29/02; B64C 2201/088; B64C 2201/104; B64C 2201/141

See application file for complete search history.

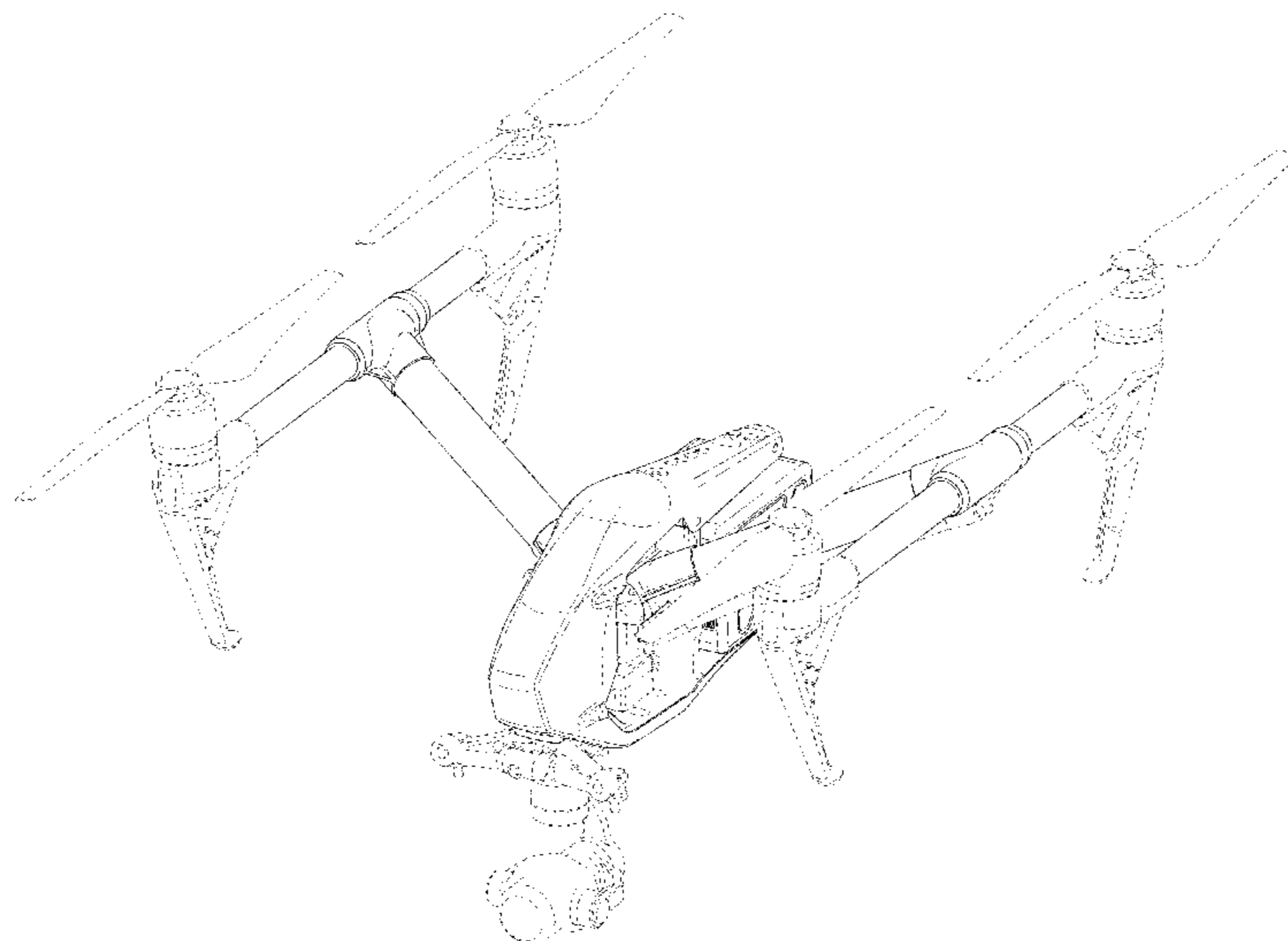
FIG. 1 is a top front perspective view of an aerial vehicle showing the claimed design;  
FIG. 2 is a bottom rear perspective view thereof;  
FIG. 3 is a front view thereof;  
FIG. 4 is a rear view thereof;  
FIG. 5 is a left side view thereof;  
FIG. 6 is a right side view thereof;  
FIG. 7 is a top view thereof; and,  
FIG. 8 is a bottom view thereof.  
The broken lines in the figures show portions of the aerial vehicle that form no part of the claimed design.

(56) **References Cited**

**U.S. PATENT DOCUMENTS**

D189,462 S 12/1960 Vogt  
3,053,480 A 9/1962 Vanderlip  
D197,038 S 12/1963 Howard  
3,614,029 A 10/1971 Eickmann  
4,913,377 A 4/1990 Eickmann  
5,082,079 A 1/1992 Lissaman et al.  
D465,196 S 11/2002 Dammar

**1 Claim, 8 Drawing Sheets**



(56)

References Cited

U.S. PATENT DOCUMENTS

D691,514 S 10/2013 Wang et al.  
 8,662,438 B2 3/2014 Savoye et al.  
 D708,272 S 7/2014 Schmelter  
 D710,452 S 8/2014 Barajas et al.  
 D710,454 S 8/2014 Barajas et al.  
 8,794,564 B2 8/2014 Hutson  
 8,967,029 B1 3/2015 Calvert  
 8,973,861 B2 3/2015 Zhou et al.  
 8,991,740 B2 3/2015 Olm et al.  
 9,004,973 B2 4/2015 Condon et al.  
 9,061,558 B2 6/2015 Kalantari et al.  
 D751,490 S \* 3/2016 Chen ..... D12/16.1  
 D751,491 S 3/2016 Chen  
 D759,764 S \* 6/2016 Lai ..... D12/16.1  
 D760,848 S 7/2016 McKenna et al.  
 D763,134 S \* 8/2016 Wang ..... D12/16.1  
 D767,043 S 9/2016 Morrison  
 D768,539 S 10/2016 Lee  
 D768,789 S 10/2016 Fargeau et al.  
 D772,991 S 11/2016 Caubel et al.  
 9,527,588 B1 \* 12/2016 Rollefstad ..... B64C 39/024  
 D777,263 S 1/2017 Lavagen et al.  
 D780,062 S \* 2/2017 Wu ..... D12/16.1  
 D782,365 S \* 3/2017 Hung ..... D12/16.1  
 D782,366 S 3/2017 Xiao  
 D784,202 S 4/2017 Park  
 D784,854 S 4/2017 Huang et al.  
 D795,741 S 8/2017 Li  
 D795,742 S 8/2017 Li  
 D795,743 S 8/2017 Li  
 D795,784 S 8/2017 Guo et al.  
 D795,967 S 8/2017 Haley et al.  
 D797,602 S 9/2017 Li  
 D798,961 S 10/2017 Li  
 D800,602 S \* 10/2017 Hsiao ..... D12/16.1  
 D801,224 S 10/2017 Li  
 D803,098 S 11/2017 Lee  
 D803,328 S 11/2017 Lee  
 D805,425 S 12/2017 Hanscom  
 D805,431 S 12/2017 Li  
 D806,606 S 1/2018 Morrison  
 D809,992 S \* 2/2018 Hu ..... D12/328  
 D813,723 S 3/2018 Ahn et al.  
 D813,724 S 3/2018 Hu  
 D814,970 S 4/2018 Chen et al.  
 D814,971 S 4/2018 Huang et al.  
 D814,972 S 4/2018 Ahn et al.  
 D814,973 S 4/2018 Li  
 D816,546 S 5/2018 Wang  
 D816,547 S \* 5/2018 Cui ..... D12/16.1  
 D816,582 S \* 5/2018 Liang ..... D12/328  
 D817,850 S 5/2018 Xiao  
 D818,872 S 5/2018 Ho

D818,874 S 5/2018 Tian et al.  
 D819,749 S 6/2018 Caubel et al.  
 D820,158 S \* 6/2018 Jeong ..... D12/16.1  
 D821,263 S 6/2018 Goldy  
 D825,379 S 8/2018 Gury et al.  
 D827,723 S 9/2018 Barajas et al.  
 D828,222 S \* 9/2018 Yu ..... D12/16.1  
 D830,476 S 10/2018 Barse  
 D843,305 S 3/2019 MacAndrew et al.  
 D854,967 S \* 7/2019 Yu ..... D12/16.1  
 10,386,188 B2 \* 8/2019 Tian ..... G01S 17/933  
 D862,359 S \* 10/2019 Chen ..... D12/328  
 D862,360 S \* 10/2019 Liang ..... D12/328  
 D870,638 S \* 12/2019 Kuanliang ..... D12/328  
 2007/0105474 A1 5/2007 Gotou et al.  
 2008/0048065 A1 2/2008 Kuntz  
 2009/0283629 A1 11/2009 Kroetsch et al.  
 2014/0117149 A1 5/2014 Zhou et al.  
 2015/0266577 A1 \* 9/2015 Jones ..... H04B 7/18504  
 701/3  
 2016/0375997 A1 12/2016 Welsh et al.  
 2016/0376004 A1 12/2016 Claridge et al.  
 2017/0101174 A1 4/2017 Ou et al.  
 2017/0113789 A1 4/2017 Ou  
 2017/0174316 A1 6/2017 Huddleston, Jr. et al.  
 2017/0237948 A1 8/2017 Quast et al.  
 2017/0247113 A1 8/2017 Sanlville et al.  
 2017/0301109 A1 10/2017 Chan et al.  
 2017/0340176 A1 \* 11/2017 Liao ..... B64C 39/024  
 2018/0032087 A1 2/2018 Liné  
 2018/0208301 A1 7/2018 Ye  
 2018/0281941 A1 10/2018 Hutson

FOREIGN PATENT DOCUMENTS

CN 303562868 S 1/2016  
 CN 303572058 S 1/2016  
 CN 303634089 S 4/2016  
 CN 303754707 S 7/2016  
 CN 303772151 S 8/2016  
 CN 303791018 S 8/2016  
 CN 303804559 S 8/2016  
 CN 303815208 S 8/2016  
 KR 30-0854195 5/2016  
 WO WO DM/091646 8/2016

OTHER PUBLICATIONS

DJI Inspire 1 Review by Unlockriver.com, dated Mar. 15, 2015. Found online [Oct. 4, 2019] <https://www.youtube.com/watch?v=JHcxGWFvm7E>.  
 DJI Inspire 1 vs Inspire 1 Pro vs Inspire 2 Comparison by Joseph Flynt, dated Dec. 16, 2017. found online [Oct. 4, 2019] <https://3dinsider.com/inspire-comparison/>.

\* cited by examiner

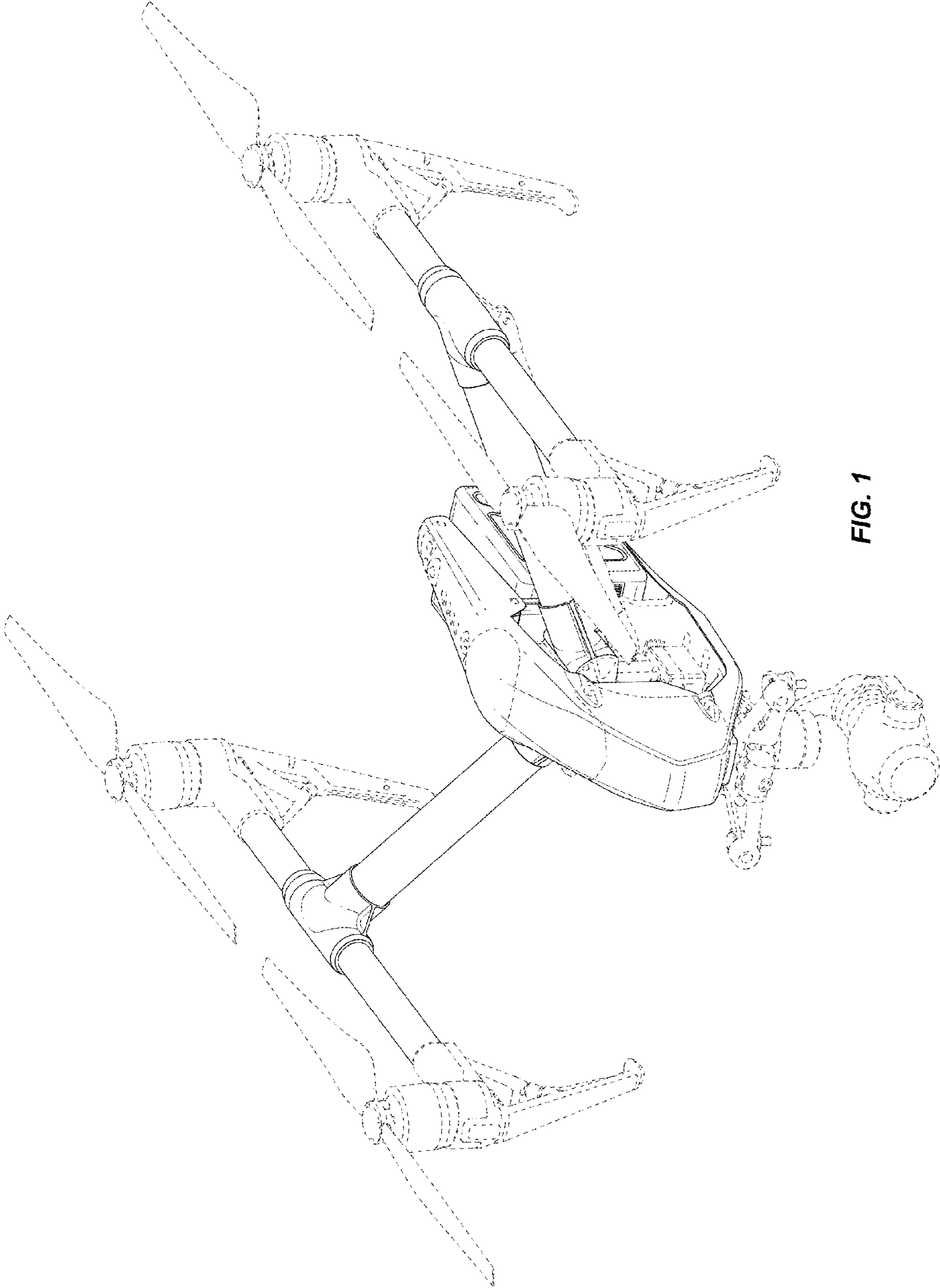


FIG. 1

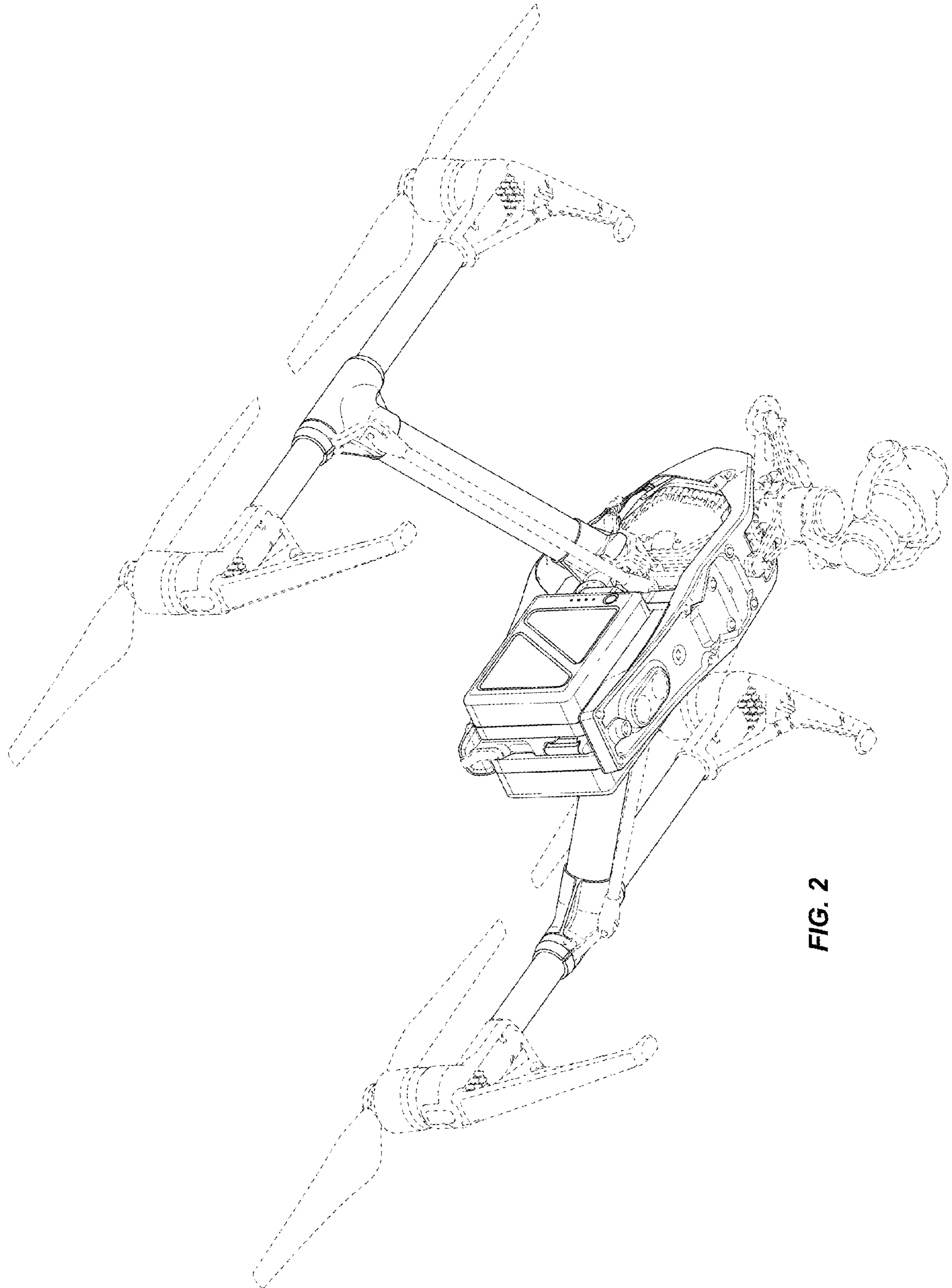


FIG. 2

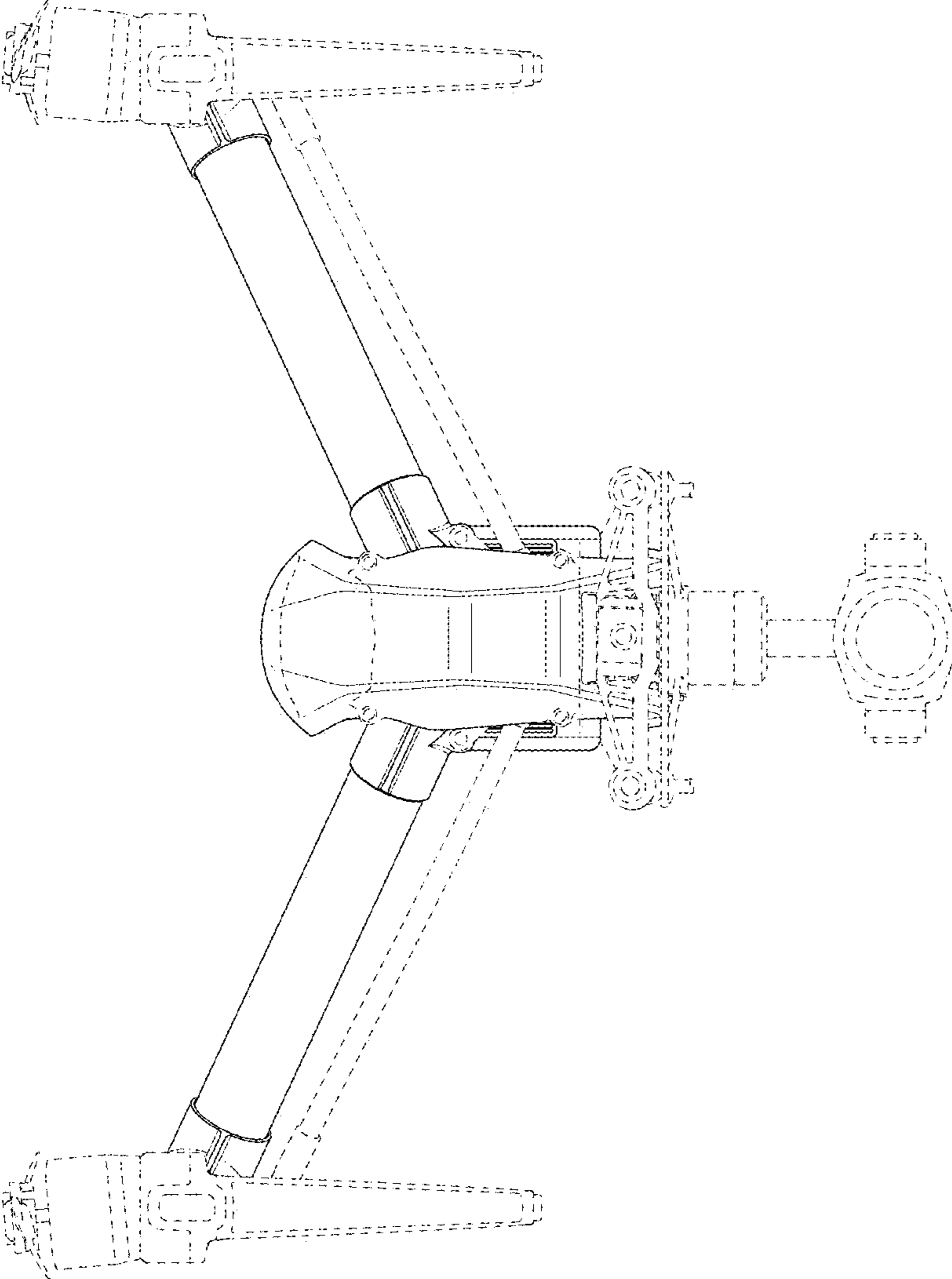


FIG. 3

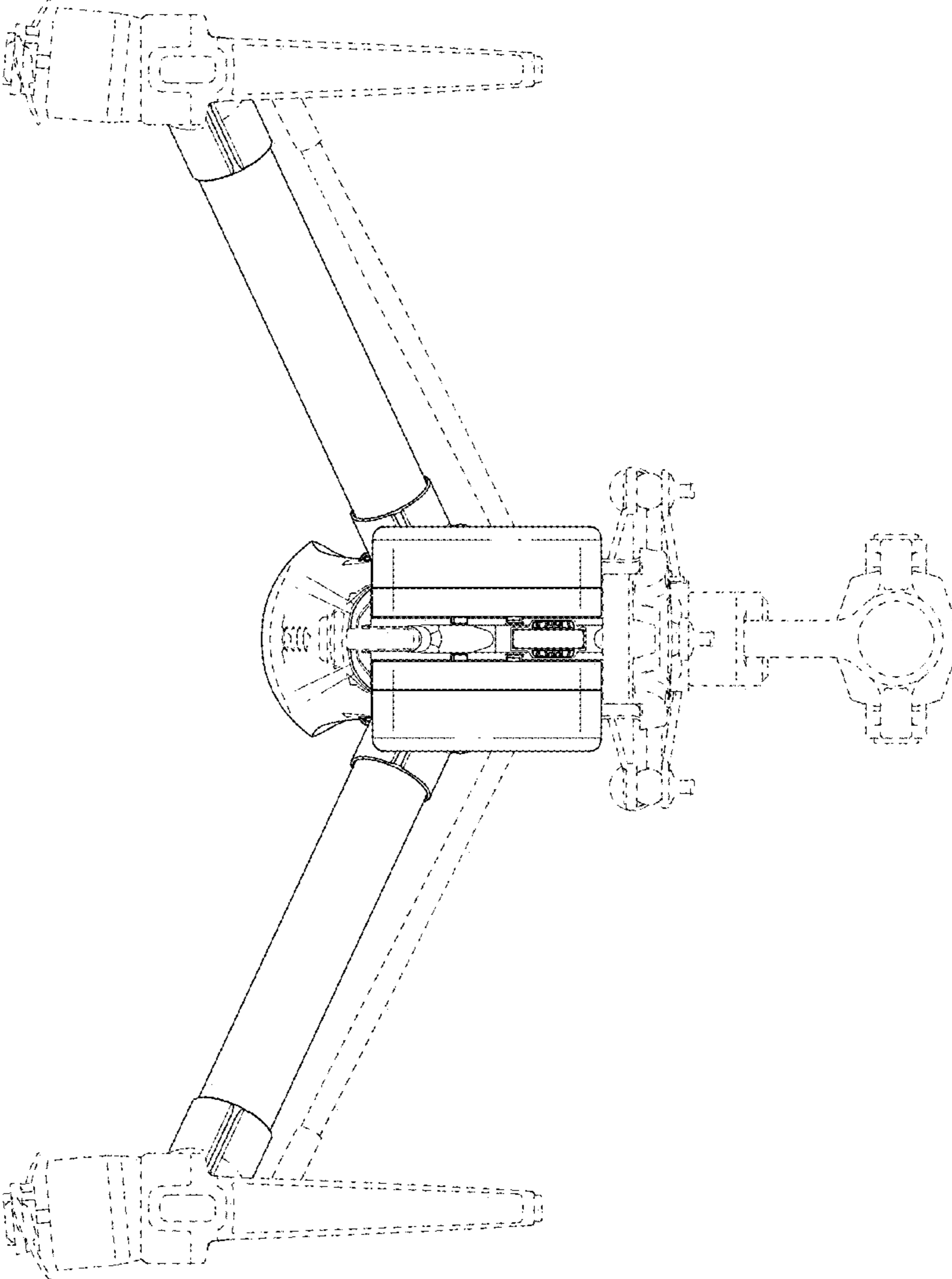


FIG. 4

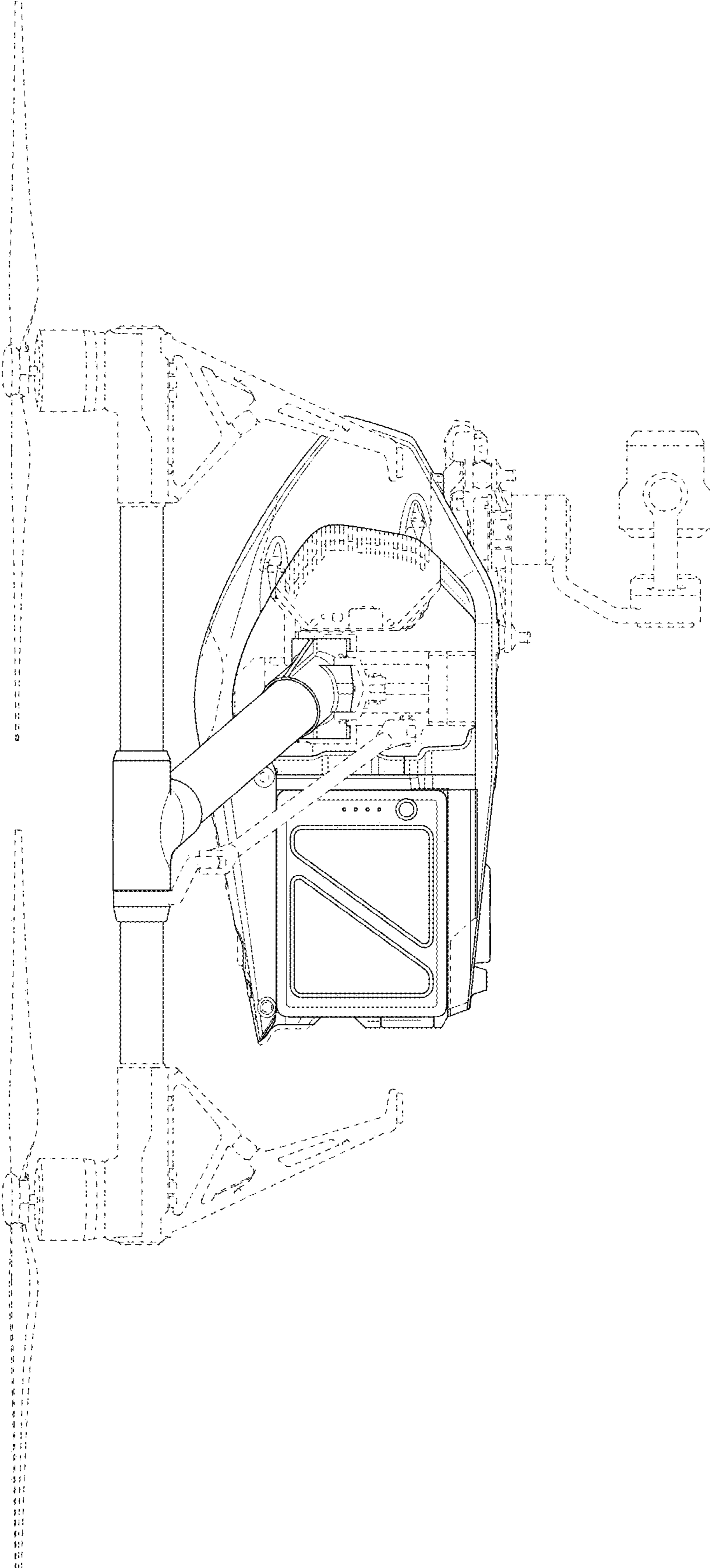


FIG. 5

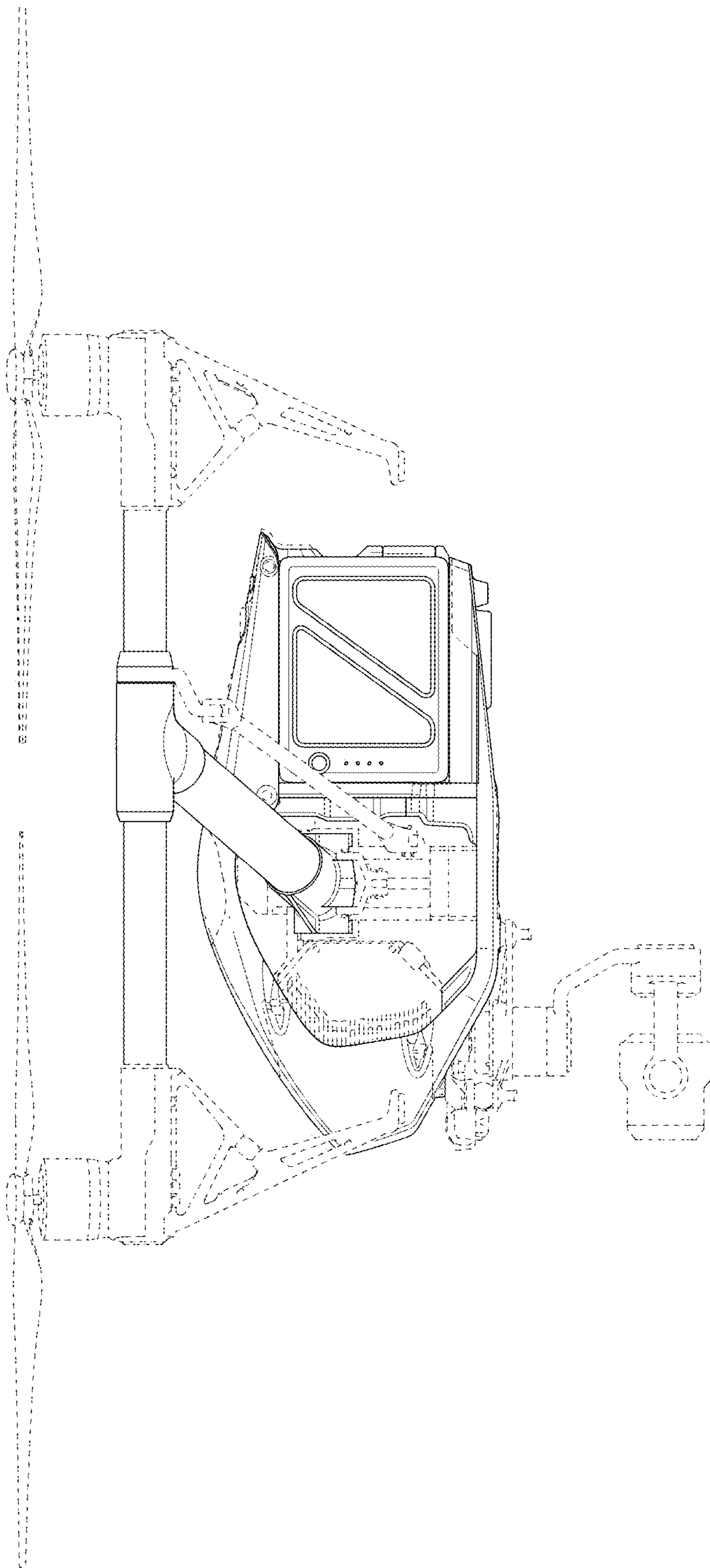


FIG. 6



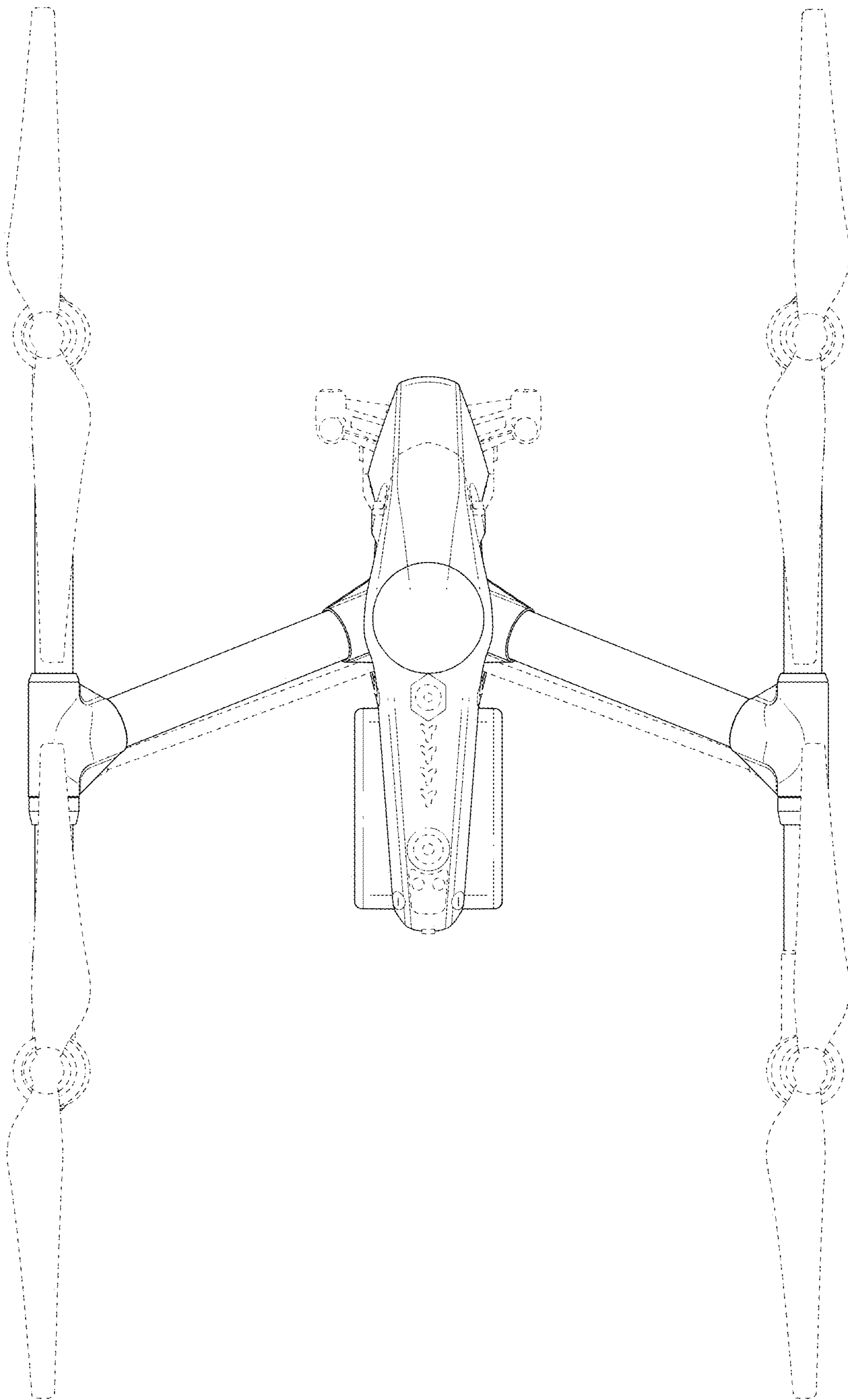


FIG. 7

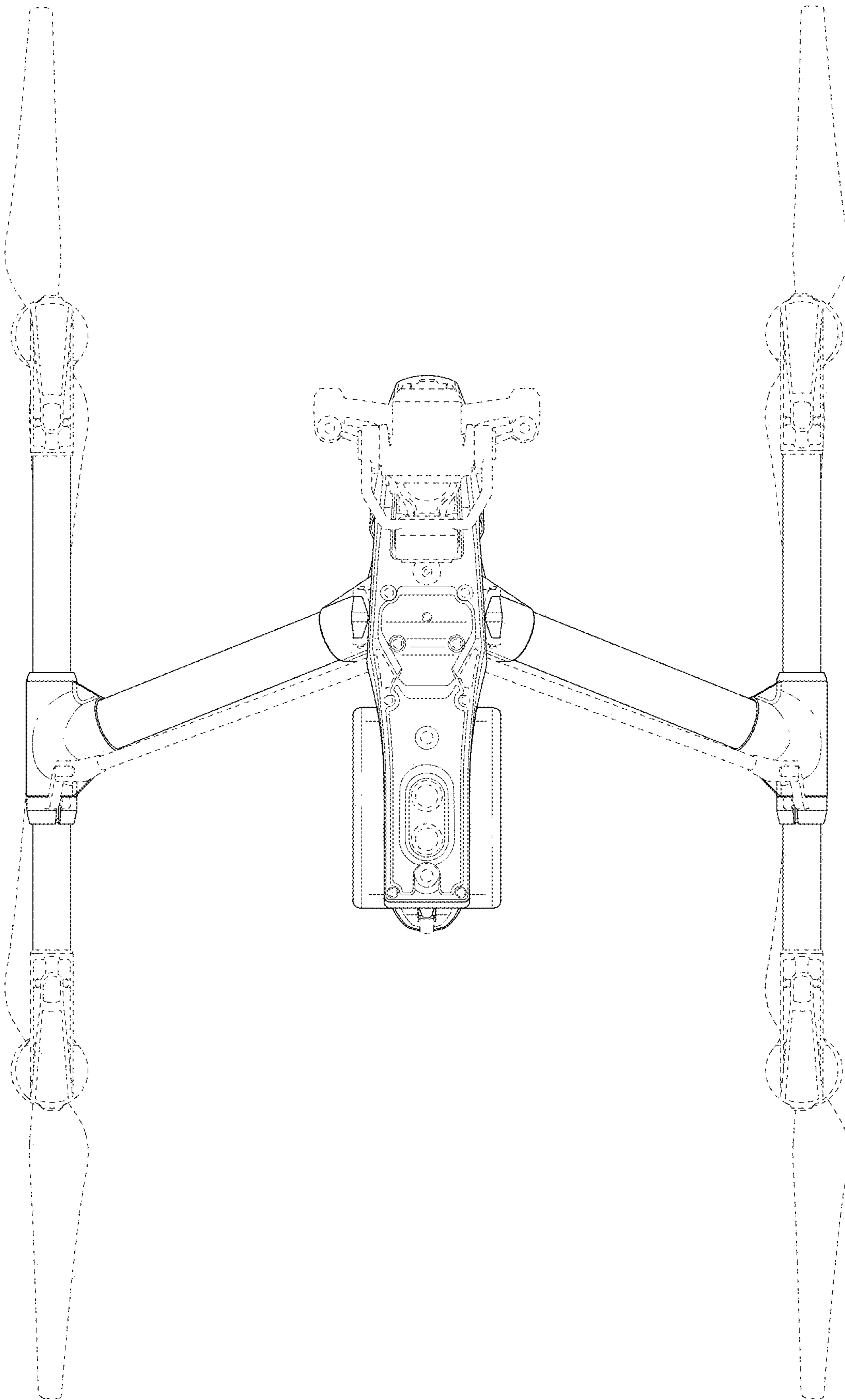


FIG. 8