



US00D907557S

(12) **United States Design Patent**
Wasilewski et al.

(10) **Patent No.:** **US D907,557 S**
(45) **Date of Patent:** **** Jan. 12, 2021**

(54) **BUNK BED FOR A MARINE VESSEL**

(71) Applicant: **Brunswick Corporation**, Mettawa, IL (US)

(72) Inventors: **Maciej Wasilewski**, Augustów (PL);
Filip Loboda, Augustów (PL);
Adrianna Medrygal, Augustów (PL)

(73) Assignee: **Brunswick Corporation**, Mettawa, IL (US)

(**) Term: **15 Years**

(21) Appl. No.: **29/672,400**

(22) Filed: **Dec. 5, 2018**

(51) **LOC (13) Cl.** **12-06**

(52) **U.S. Cl.**
USPC **D12/318**

(58) **Field of Classification Search**
USPC D12/101, 106, 115, 159, 300, 304, 307,
D12/315, 316, 317, 318, 406, 407, 408,
D12/409, 410, 411, 412, 414, 414.1
CPC B63B 29/025; B63B 29/02
See application file for complete search history.

(56) **References Cited**

U.S. PATENT DOCUMENTS

1,547,404	A	7/1925	Uppercu	
7,185,849	B2 *	3/2007	Ferry B62D 33/0612
				105/316
9,021,972	B1 *	5/2015	Braver B63B 29/02
				114/71
9,403,465	B2 *	8/2016	Kircher B63B 22/06
2008/0282467	A1 *	11/2008	Edwards B61D 1/02
				5/10.2

FOREIGN PATENT DOCUMENTS

FR 2601924 11/1988

OTHER PUBLICATIONS

2019 Four Winns Vista 355, dicklanesofgrandlake.com [online]. Published on or before May 9, 2020, [retrieved on May 9, 2020]. Retrieved from the Internet: <URL:https://dicklanesofgrandlake.com/Power-Boats-Outboard-Four-Winns-Vista-355-Coupe-OB-2019-Afton-OK-6edf3fce-f280-469b-81aa-a197001ddf88> (Year: 2020).*
V Berth Vagabond, www.vagabondforsale.com [online]. Published on or before May 9, 2020, [retrieved on May 9, 2020]. Retrieved from the Internet: <URL:http://www.vagabondforsale.com/vberth.html> (Year: 2020).*
Sanders LaMont: Sailboat "Good News" Is for Sale, website visited Oct. 3, 2018, http://snplamont.blogspot.com, 9 pages.
Private Cruise Greece Yacht Charter with Crew for Greek Islands, website visited Oct. 3, 2018, http://www.greecebysale.com/private-yacht-charters, 1 page.

* cited by examiner

Primary Examiner — Michael A. Pratt

Assistant Examiner — Adam C Mager

(74) *Attorney, Agent, or Firm* — Andrus Intellectual Property Law, LLP

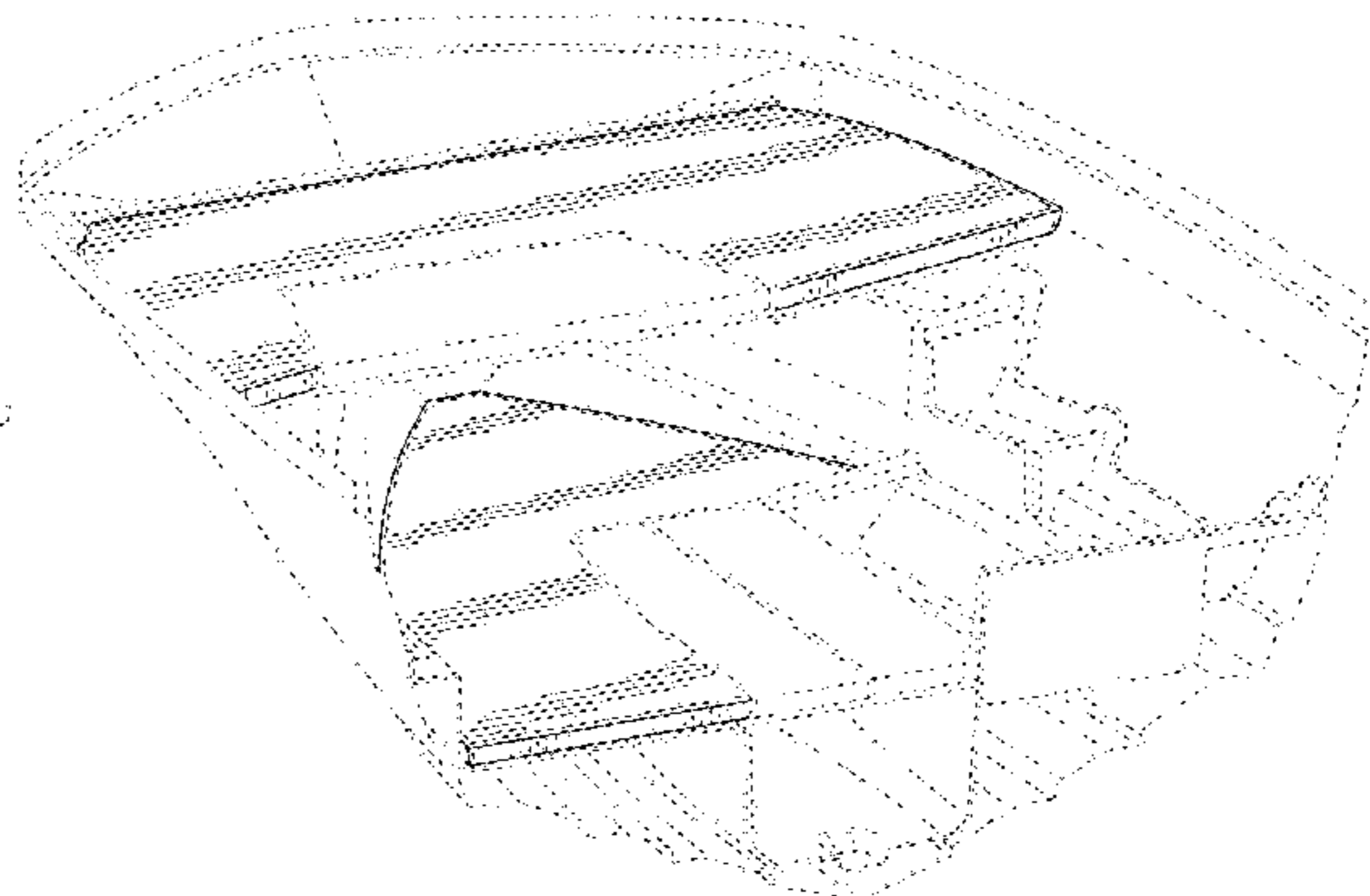
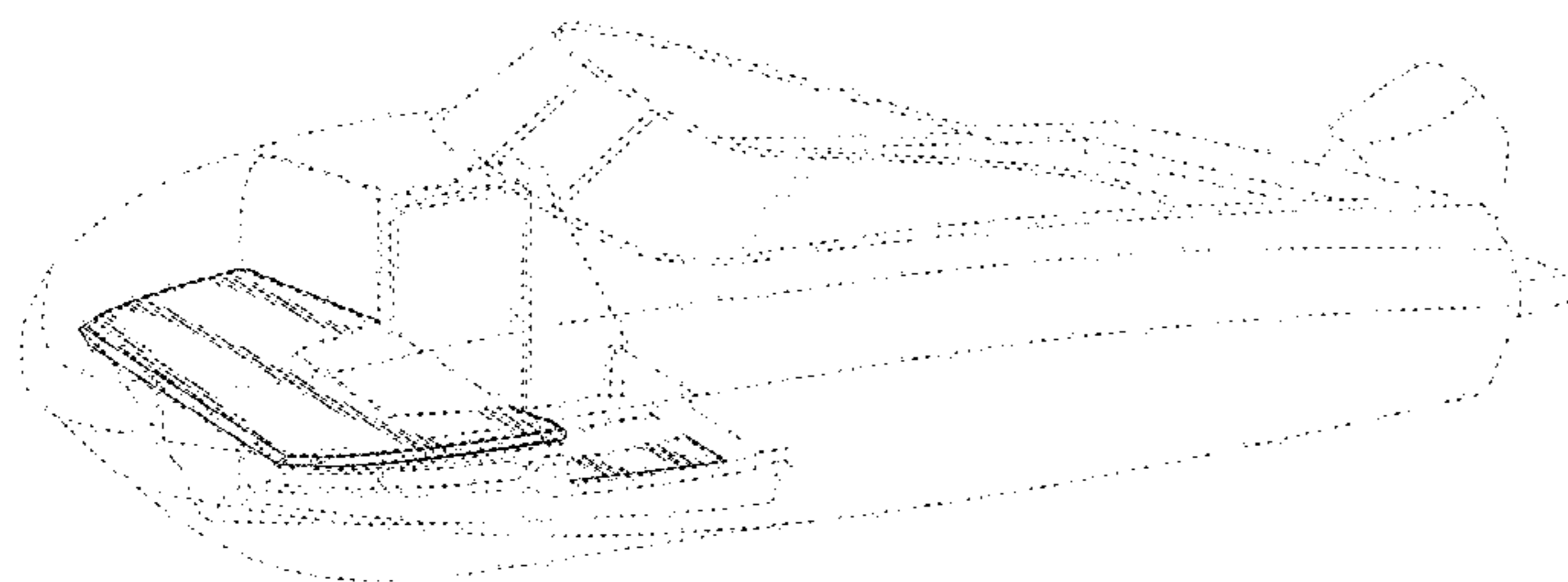
(57) **CLAIM**

The ornamental design for a bunk bed for a marine vessel, as shown and described.

DESCRIPTION

FIG. 1 is a perspective view of a bunk bed for a marine vessel, showing our new design. The perspective view is taken from the front of the starboard side of marine vessel. FIG. 2 is another perspective view, taken from the rear of the starboard side of the marine vessel. FIG. 3 is a rear perspective view thereof. FIG. 4 is a top view thereof. FIG. 5 is a rear view thereof. FIG. 6 is a view of section 6-6, taken in FIG. 3; and, FIG. 7 is a view of section 7-7, taken in FIG. 7. The broken lines in the drawings illustrate portions of the bunk bed and marine vessel that are not part of the claimed design.

1 Claim, 7 Drawing Sheets



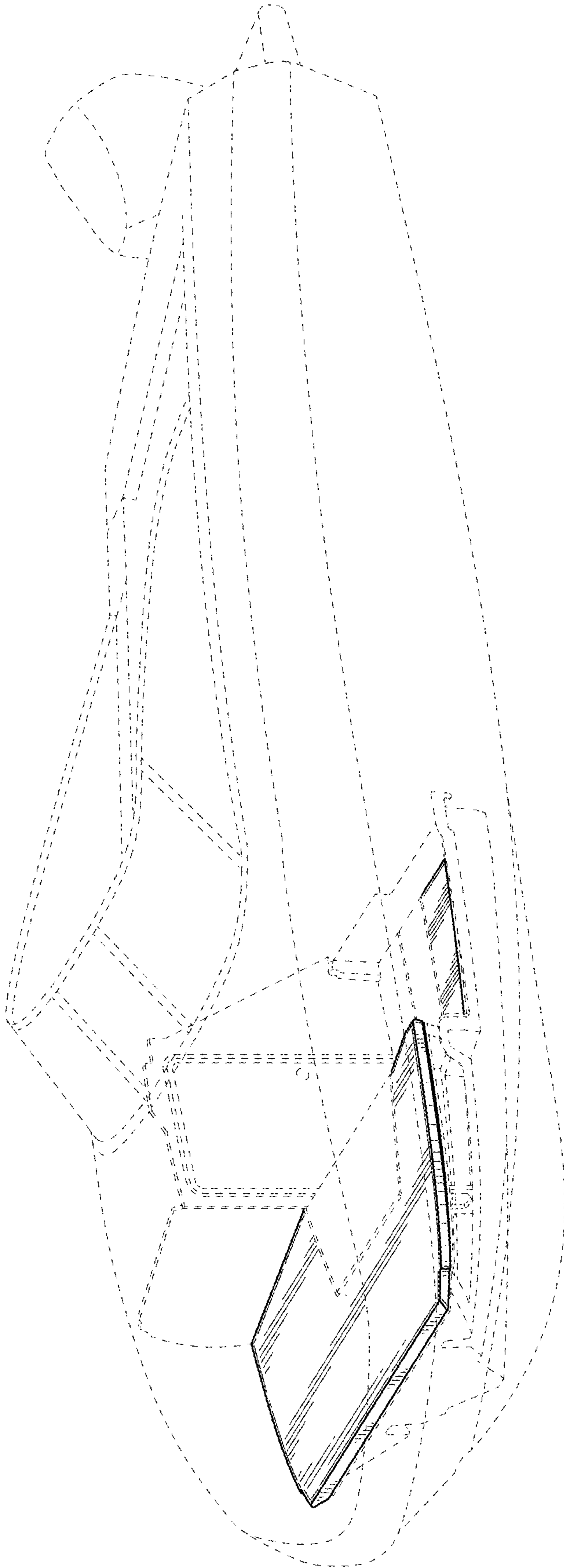


FIG. 1

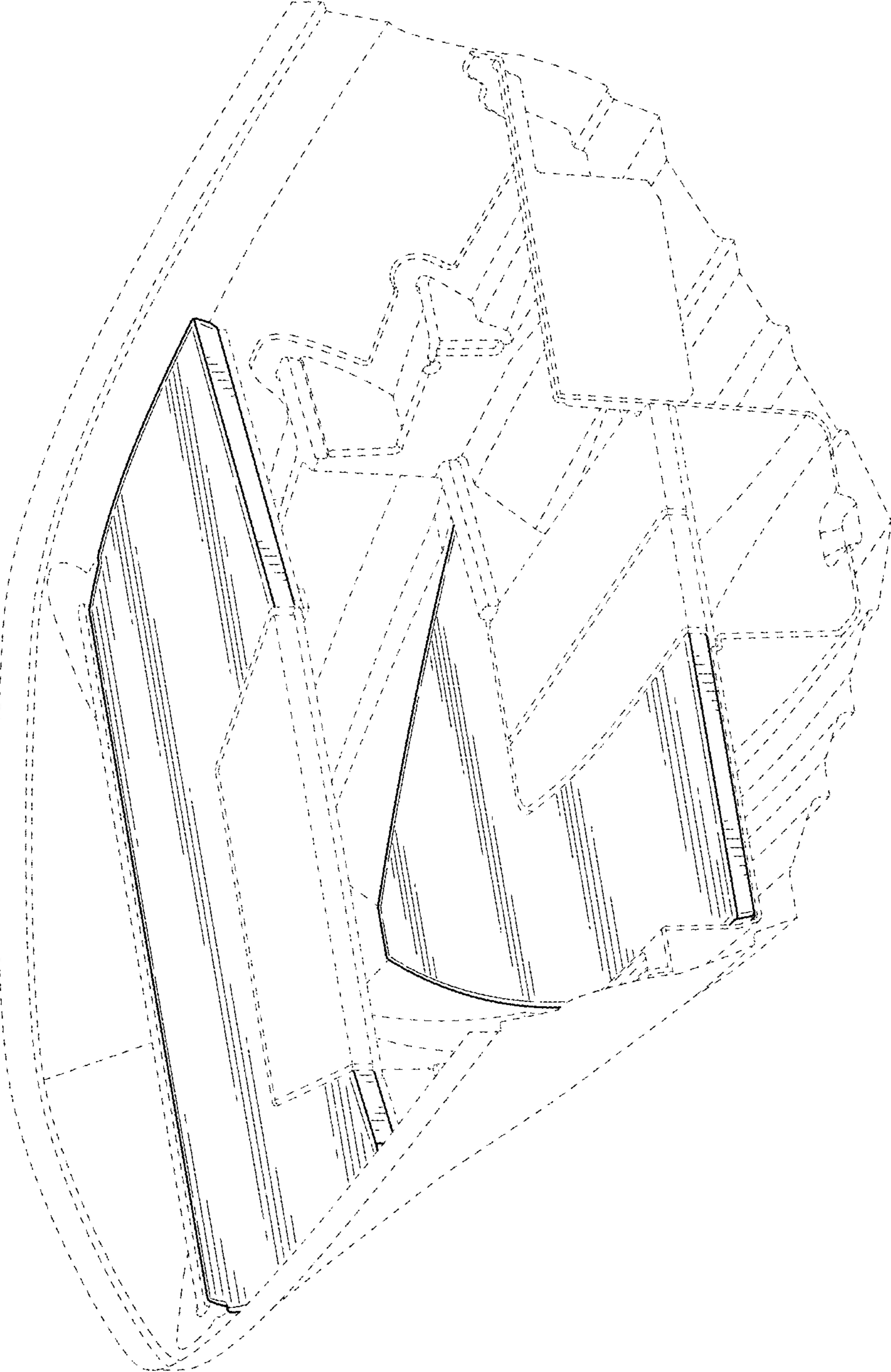


FIG. 2

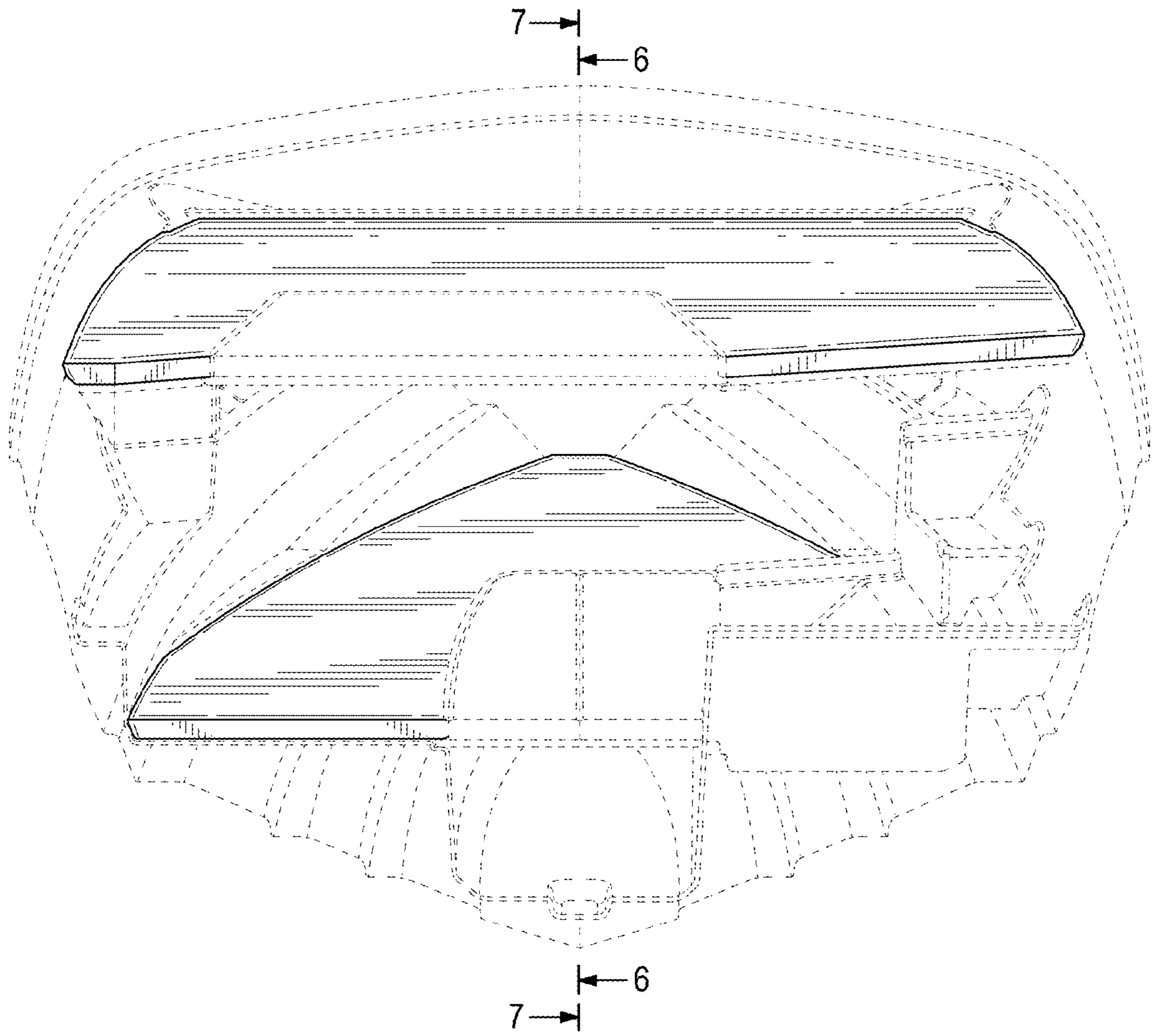


FIG. 3

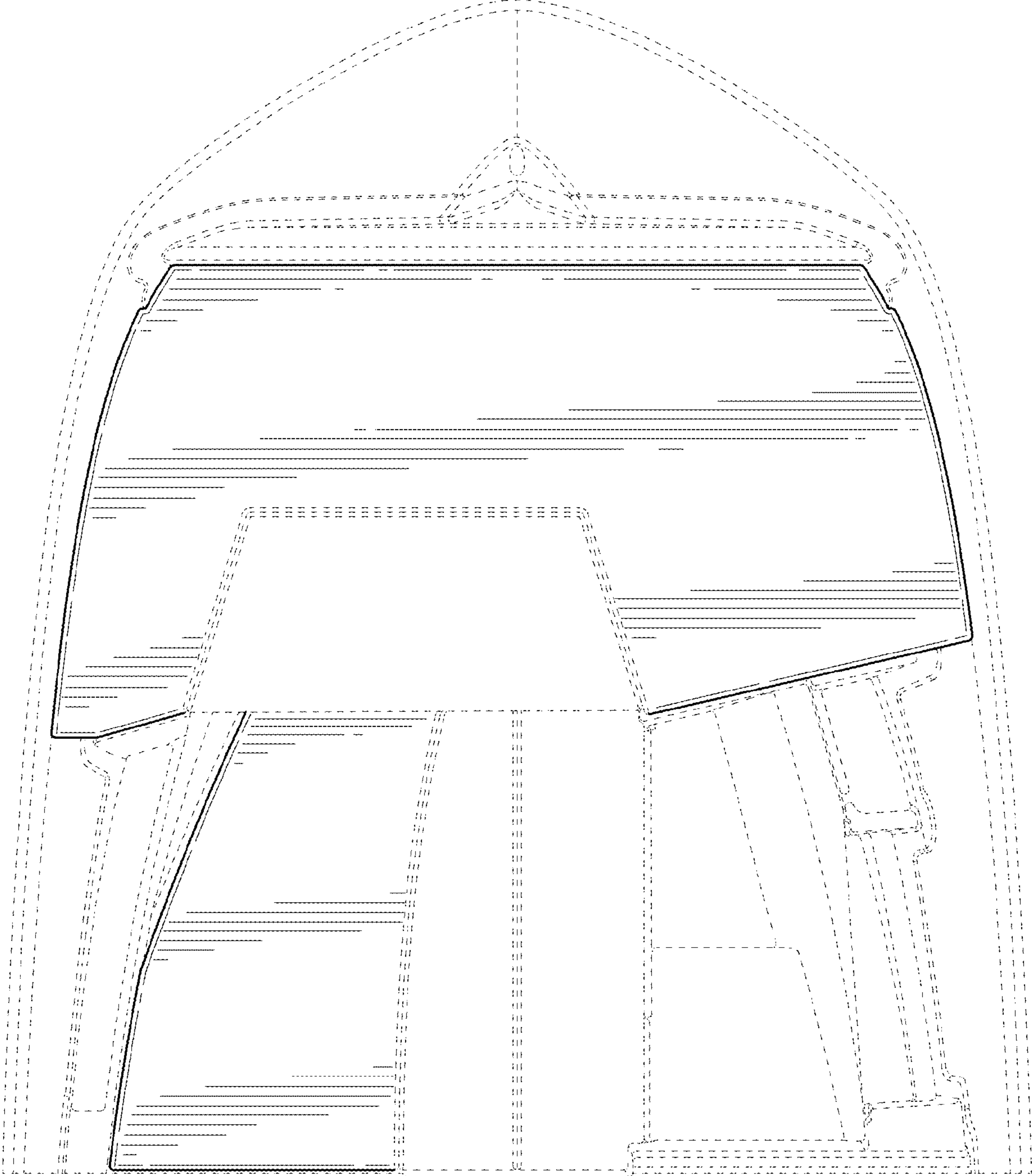


FIG. 4

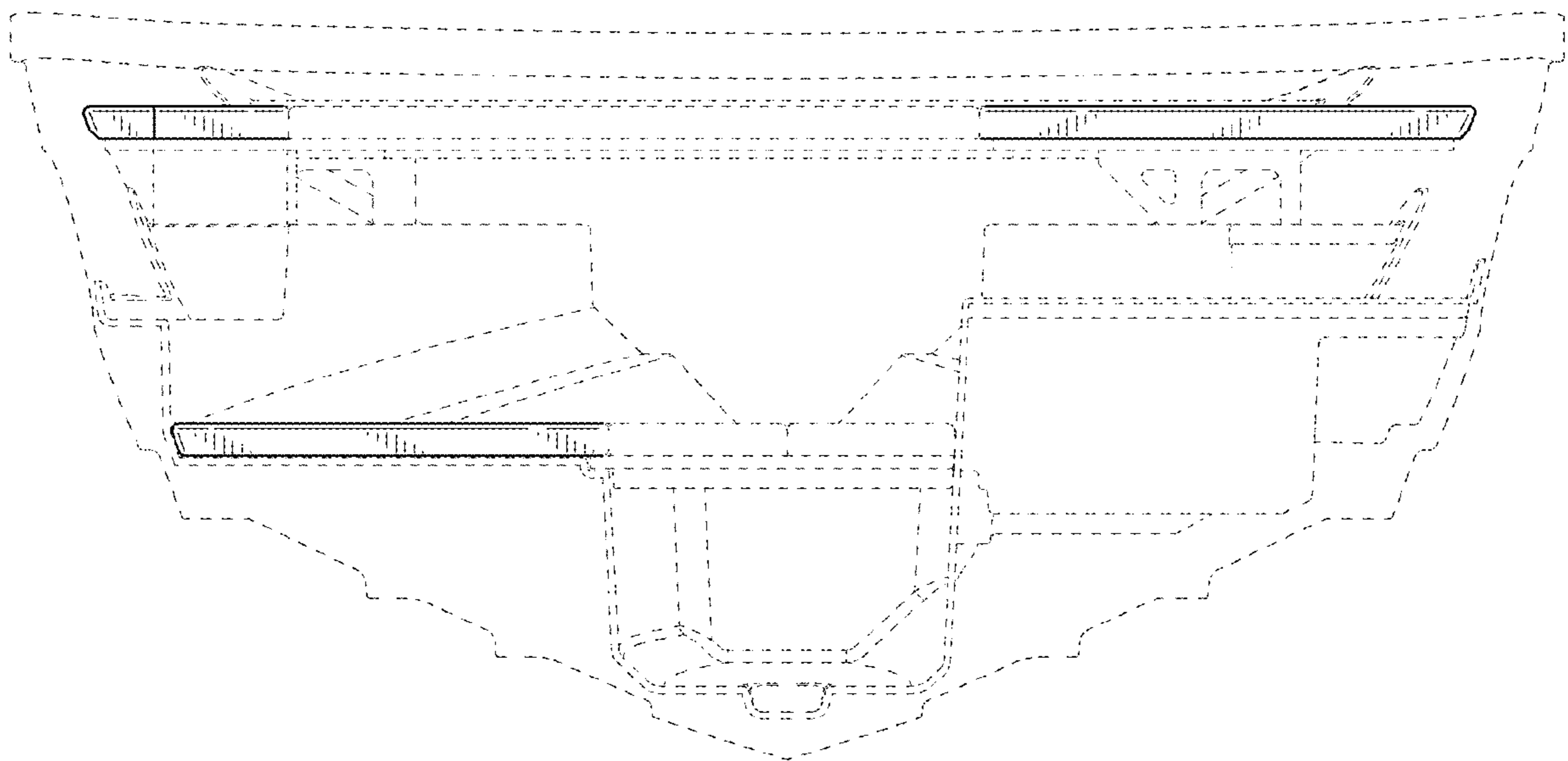


FIG. 5

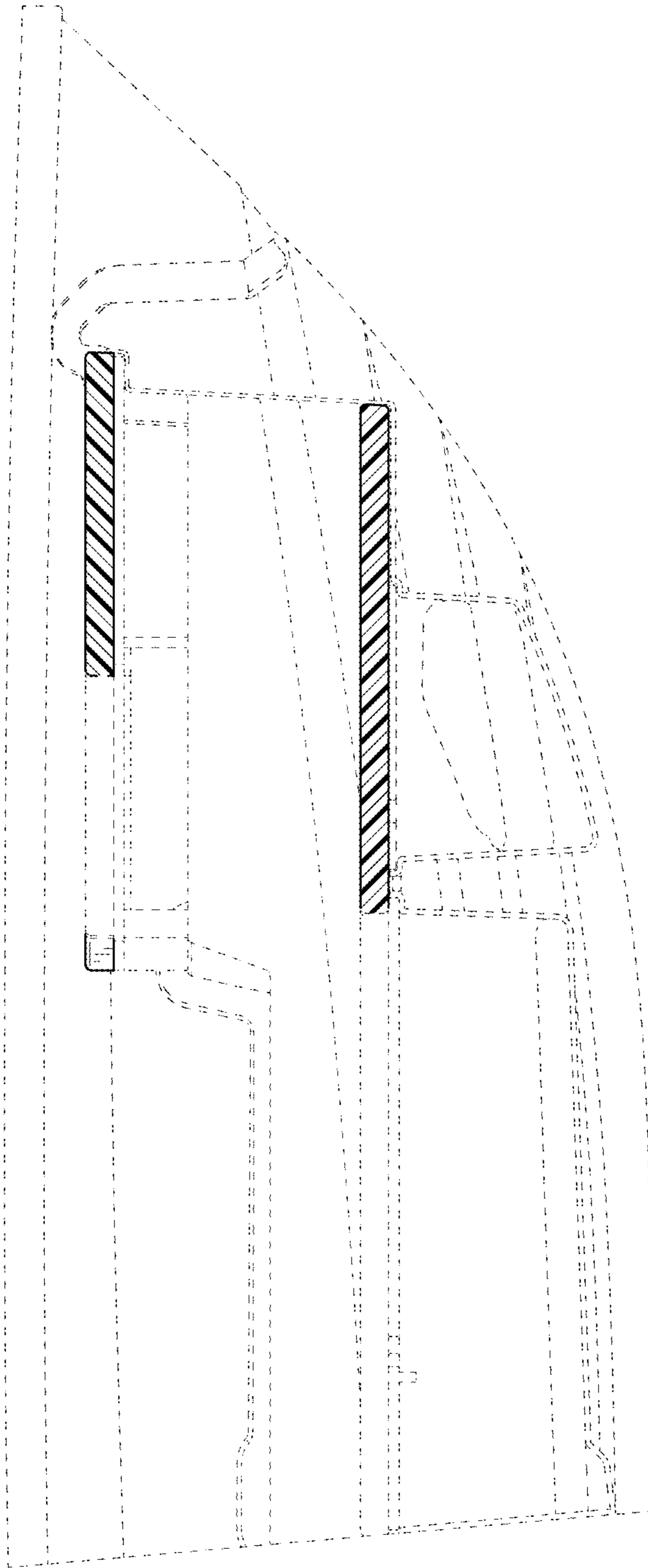


FIG. 6

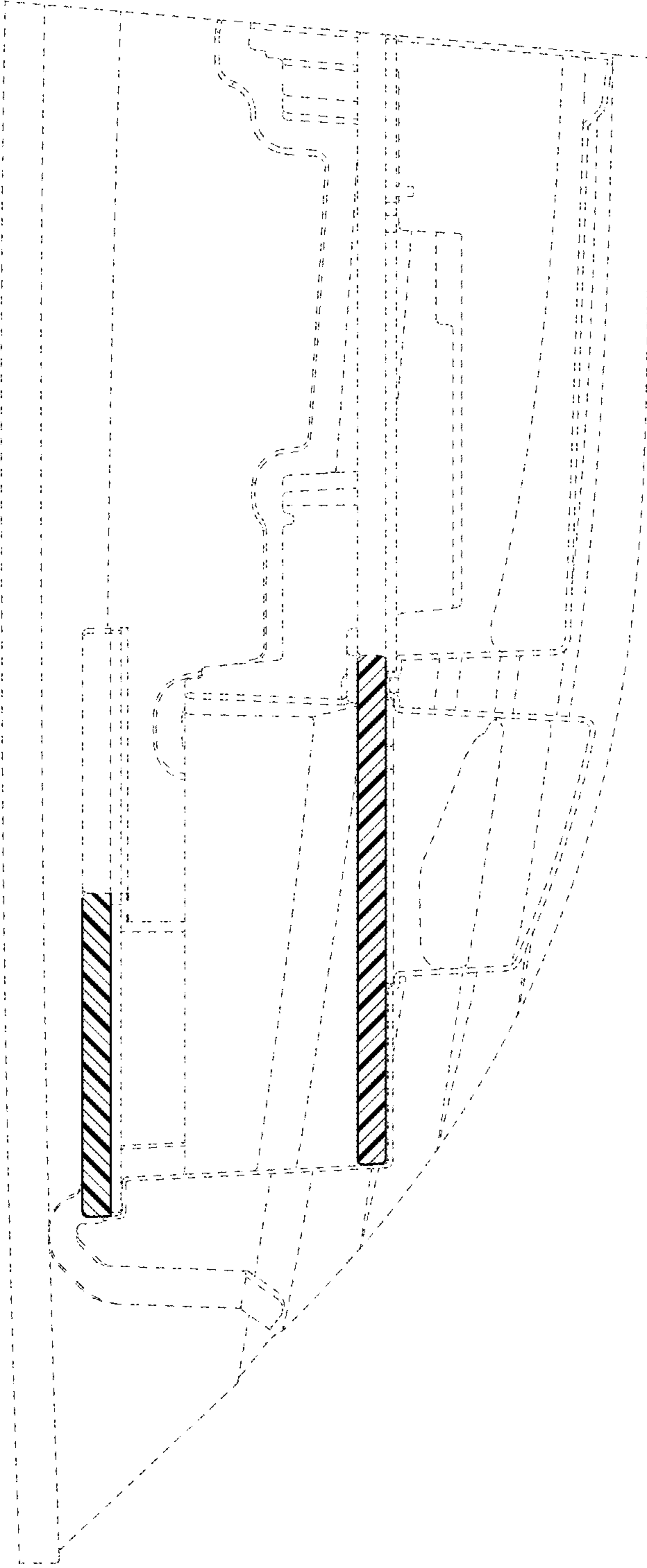


FIG. 7