



US00D907556S

(12) **United States Design Patent**
Redman

(10) **Patent No.:** **US D907,556 S**

(45) **Date of Patent:** **** Jan. 12, 2021**

(54) **BOAT**

D802,515 S * 11/2017 Yi D12/300
D812,543 S * 3/2018 Yi D12/300
D846,661 S * 4/2019 Lin D21/542

(71) Applicant: **Redman Whiteley Dixon Ltd.**,
Brockenhurst (GB)

FOREIGN PATENT DOCUMENTS

(72) Inventor: **Justin Redman**, Brockenhurst (GB)

EM 0025837650001 5/2014

(73) Assignee: **Redman Whiteley Dixon Ltd.**,
Brockenhurst (GB)

OTHER PUBLICATIONS

(**) Term: **15 Years**

Faith—Feadship Royal Dutch Shipyards; <http://www.feadship.nl/en/fleet/yacht/faith>; May 29, 2017; 5 pages.
Tenderworks—Gallery; <http://www.tenderworks.com/gallery>; Sep. 19, 2019; 1 page.

(21) Appl. No.: **29/621,953**

* cited by examiner

(22) Filed: **Oct. 12, 2017**

(30) **Foreign Application Priority Data**

Primary Examiner — Cynthia M. Chin

Apr. 19, 2017 (EM) 003862283-0001

(74) *Attorney, Agent, or Firm* — Taft Stettinius & Hollister LLP

(51) **LOC (13) Cl.** **12-06**

(52) **U.S. Cl.**
USPC **D12/300**

(57) **CLAIM**

(58) **Field of Classification Search**
USPC D12/300, 302, 303, 304, 307, 310–314,
D12/316, 317

The ornamental design for a boat, as shown and described.

CPC B63B 17/00; B63B 17/02; B63B 35/81;
B63B 35/816; B62B 21/04

DESCRIPTION

See application file for complete search history.

FIG. 1 is a top, left side perspective view of a design for a boat showing my new design;
FIG. 2 is a top, rear perspective view thereof;
FIG. 3 is a left side elevational view thereof;
FIG. 4 is a top plan view thereof;
FIG. 5 is a bottom plan view thereof;
FIG. 6 is a front elevational view thereof; and,
FIG. 7 is a rear elevational view thereof.

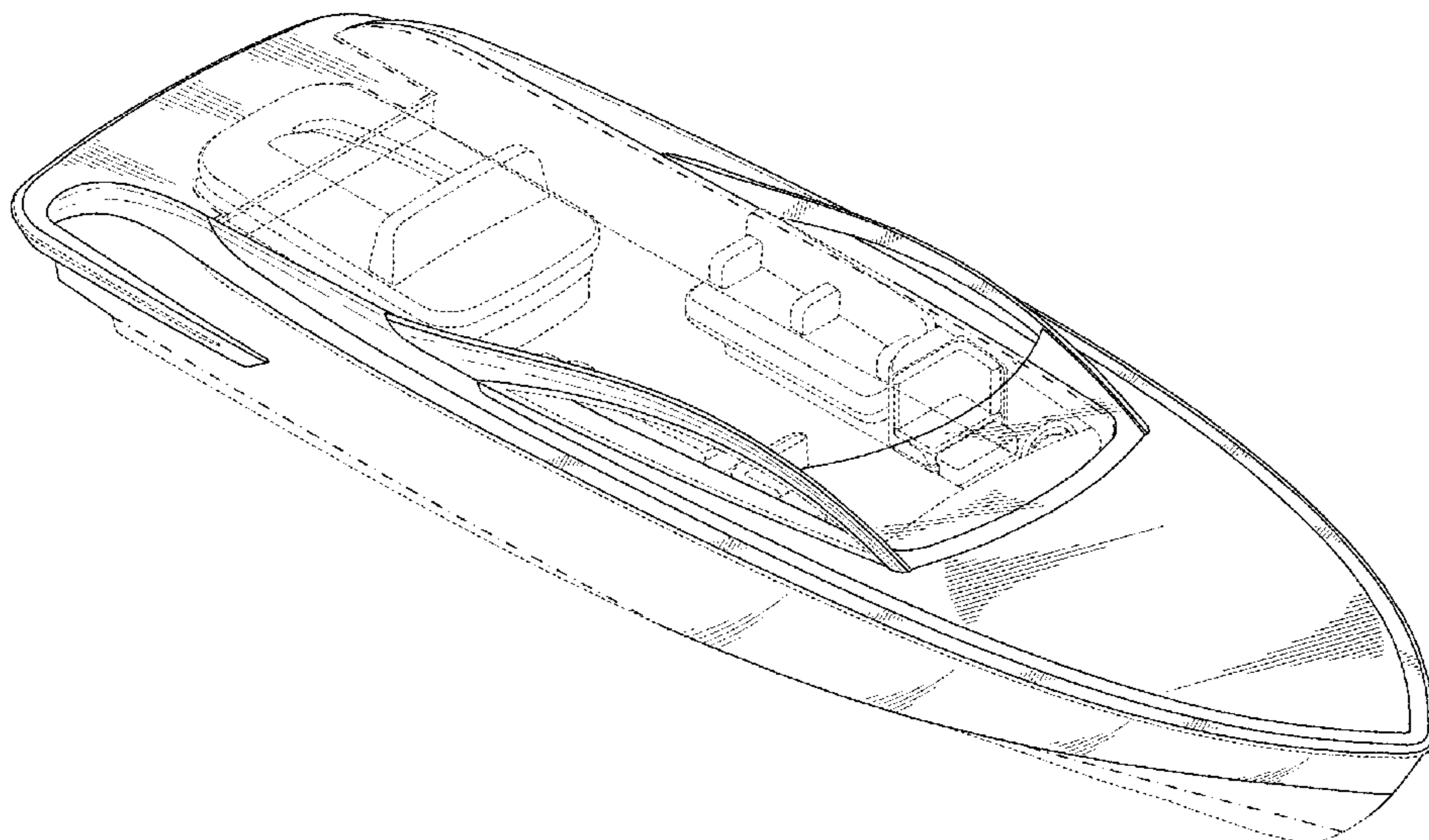
(56) **References Cited**

The dashed broken lines are for the purpose of illustrating portions of the article that form no part of the claimed design, and the dash-dot broken lines immediately adjacent the shaded surfaces or solid lines represent the bounds of the claim which form no part of the claimed design.

U.S. PATENT DOCUMENTS

D322,240 S * 12/1991 Carlson D12/300
D322,422 S * 12/1991 Carlson D12/300
D343,610 S * 1/1994 Leach D12/313
D347,616 S * 6/1994 Wenstadt D12/313
5,349,919 A * 9/1994 Douglass B63B 35/73
114/179
5,452,676 A * 9/1995 Fiore B63B 1/32
114/291
D455,110 S * 4/2002 Vismara D12/300
D686,559 S * 7/2013 Mannerfelt D12/314
D738,284 S * 9/2015 Okuyama D12/300
D770,964 S * 11/2016 Wagener D12/300

1 Claim, 7 Drawing Sheets



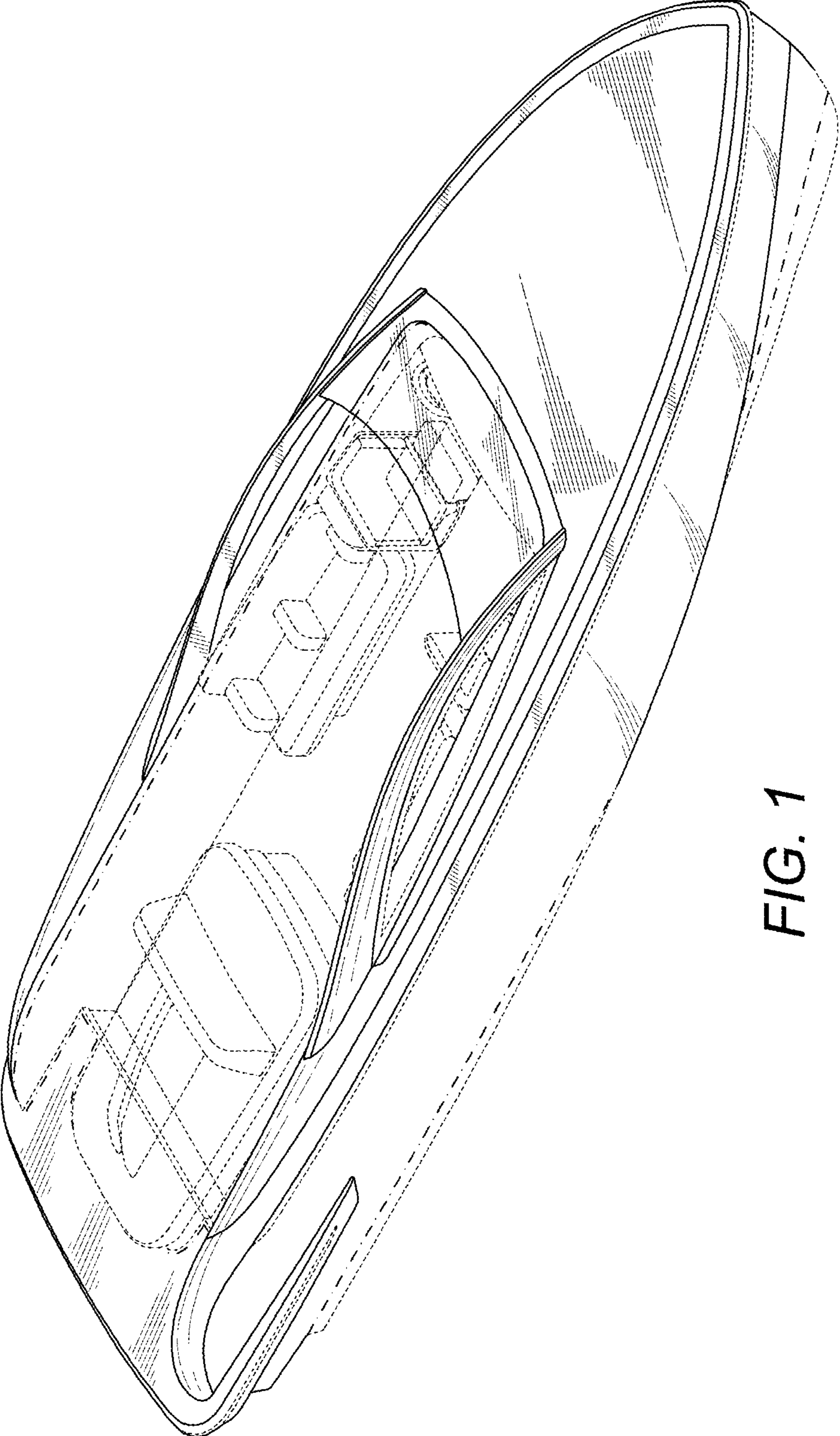


FIG. 1

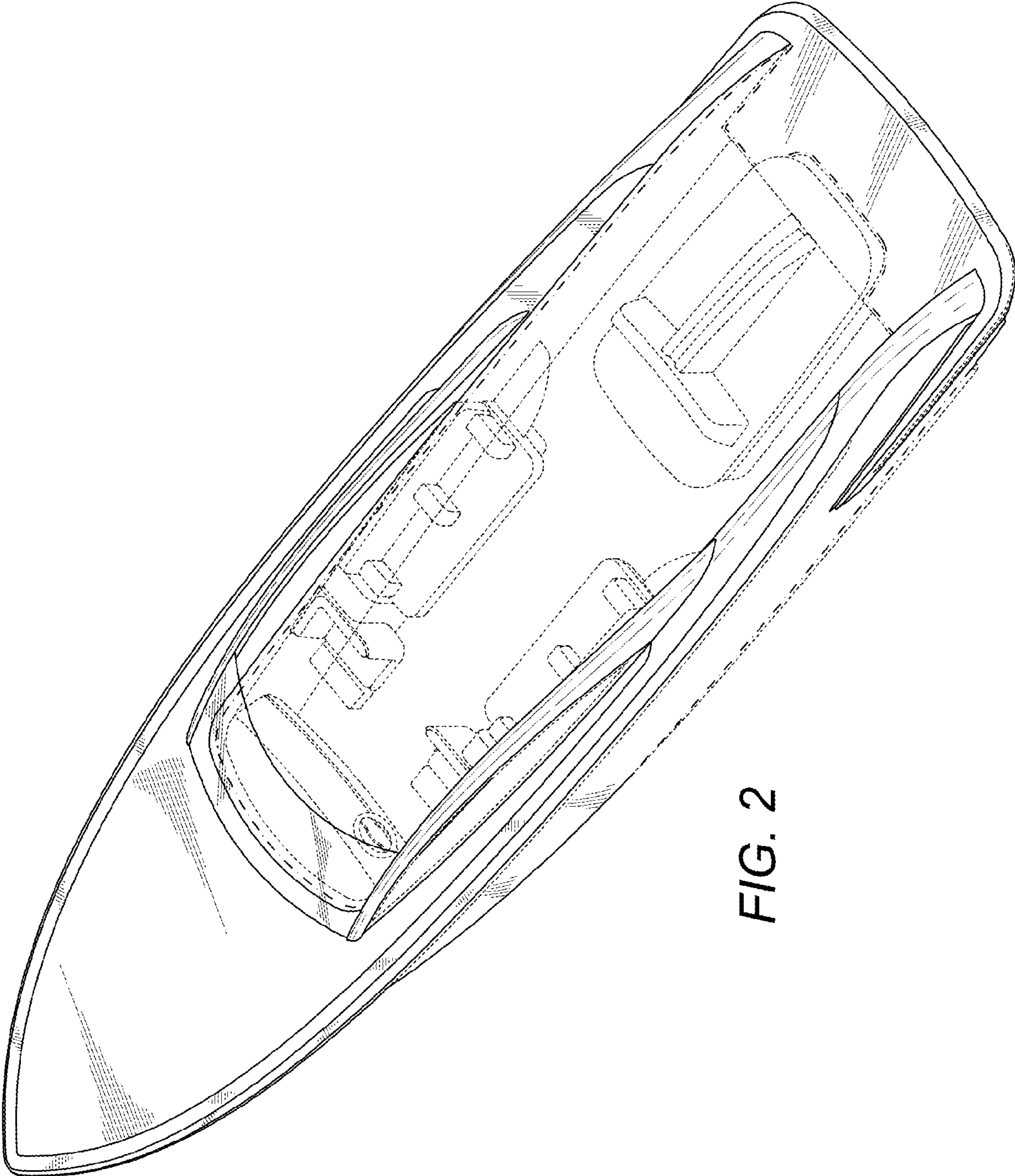


FIG. 2

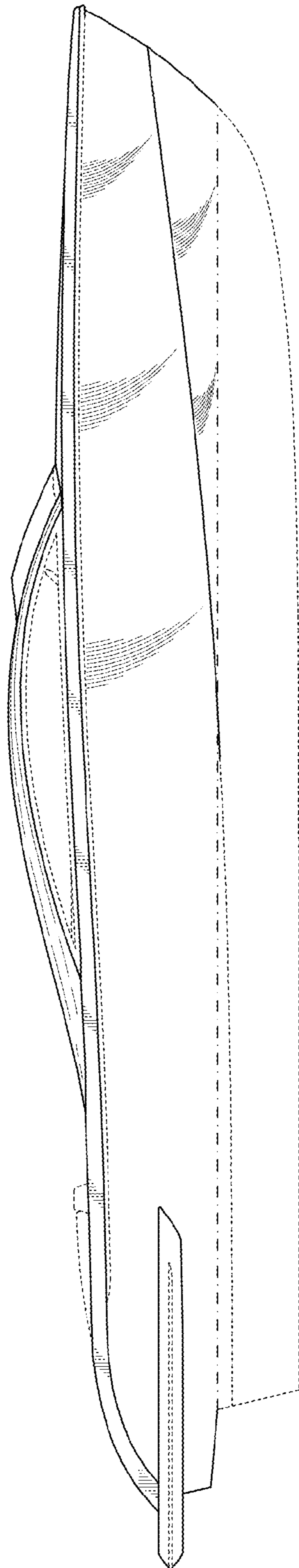


FIG. 3

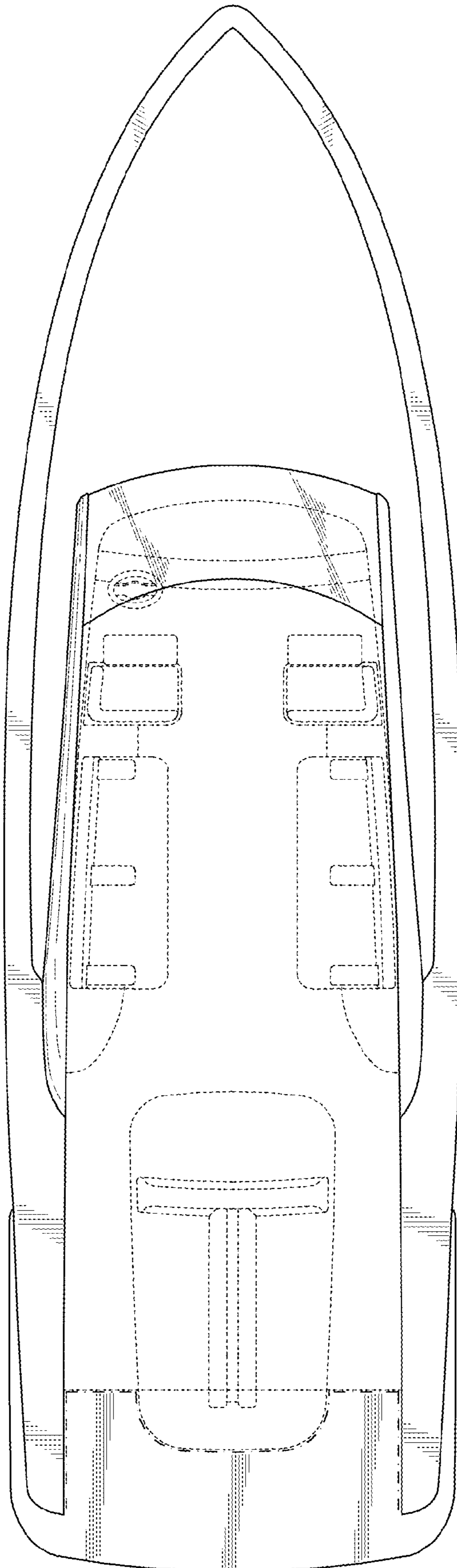


FIG. 4

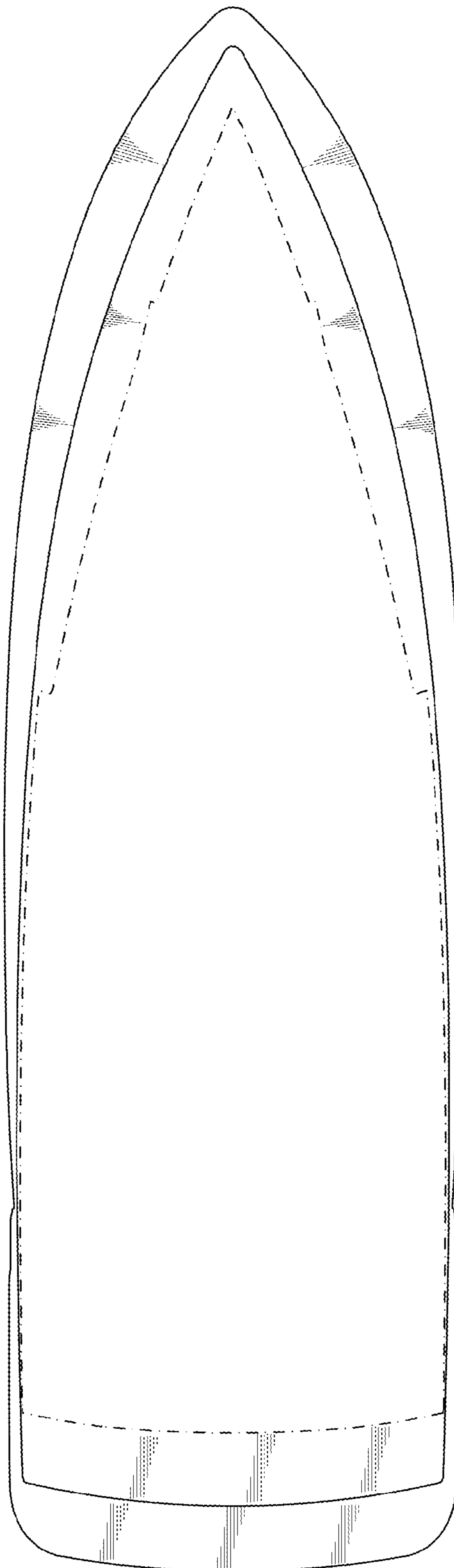


FIG. 5

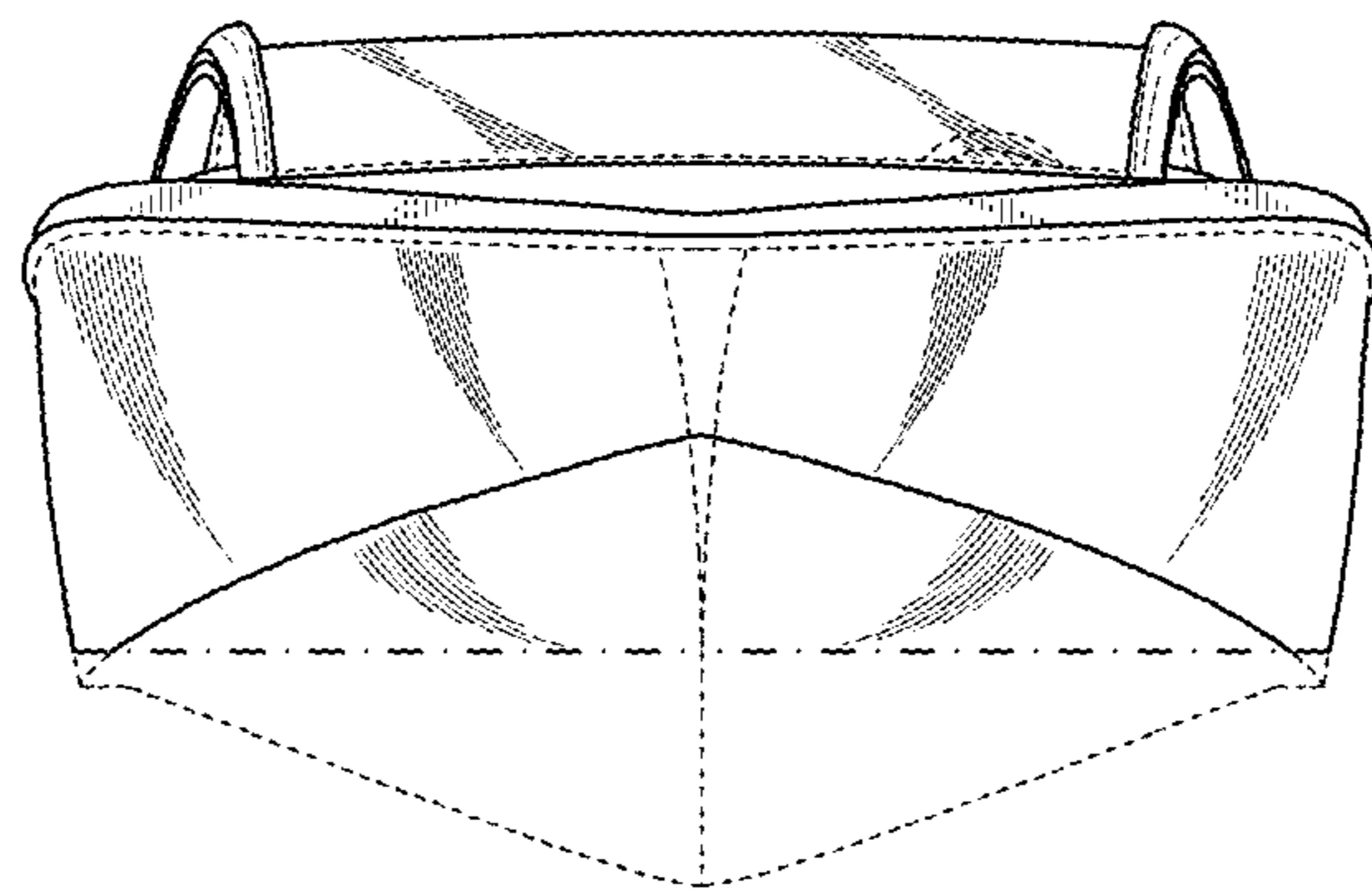


FIG. 6

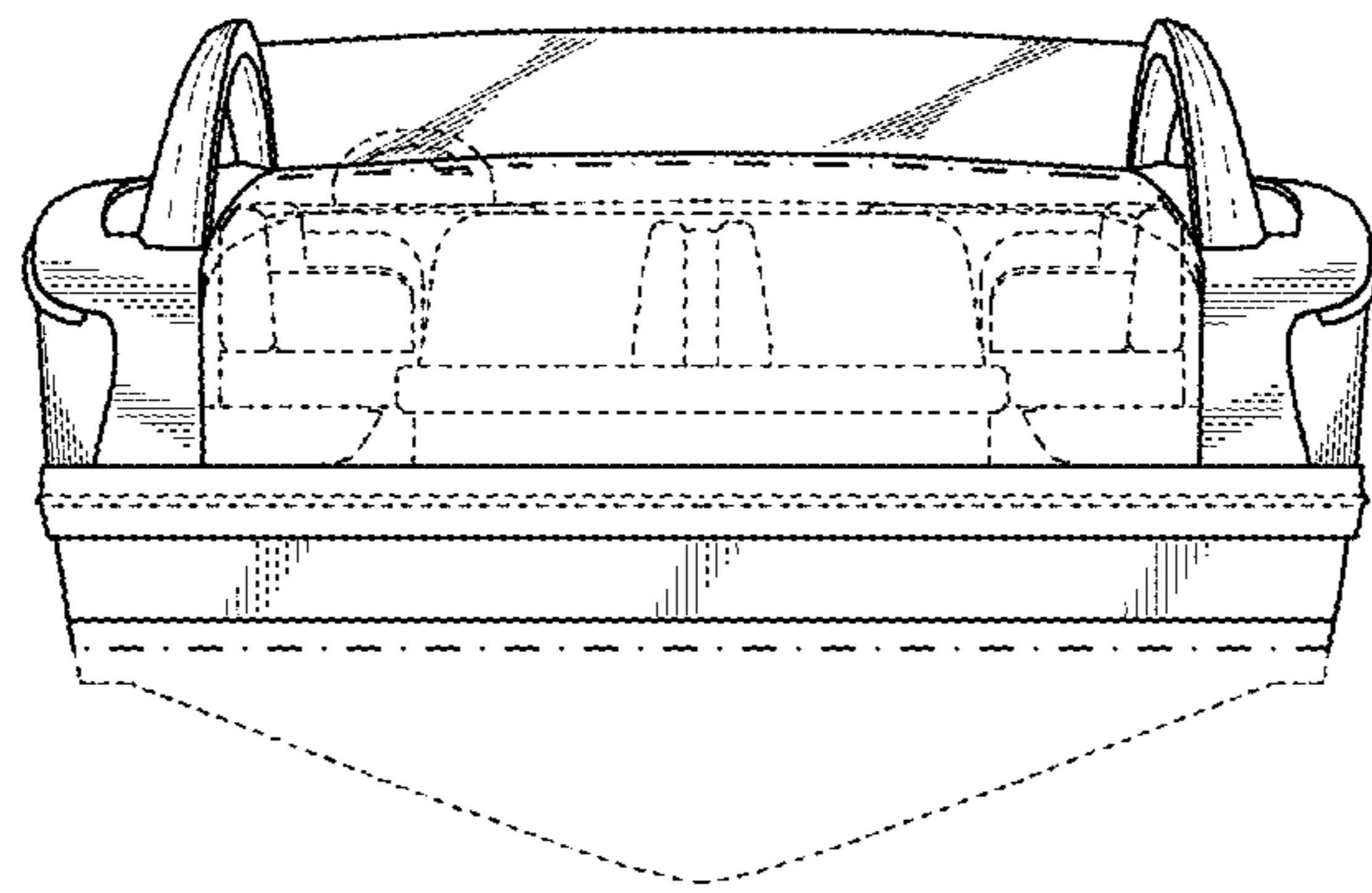


FIG. 7