



US00D907552S

(12) **United States Design Patent** (10) **Patent No.:** **US D907,552 S**
Chare et al. (45) **Date of Patent:** **** Jan. 12, 2021**

(54) **BAFFLE FOR A REDUCTANT DELIVERY SYSTEM**

FOREIGN PATENT DOCUMENTS

(71) Applicant: **Cummins Emission Solutions Inc.**,
Columbus, IN (US)

FR 2972764 A1 9/2012
FR 2974595 A1 11/2012
(Continued)

(72) Inventors: **Priyanka Vinod Chare**, Pune (IN);
Yash Pal, Una (IN); **Giridharan Balakumar**,
Tamil Nadu (IN); **Dhaval R. Sheth**, Indianapolis,
IN (US); **Joydeep Dipak Chakrabarti**, Indianapolis,
IN (US); **Roger S. Zhang**, Wuhan (CN)

OTHER PUBLICATIONS

International Search Report and Written Opinion for PCT/US2018/026826, dated May 8, 2018, 6 pages.
(Continued)

(73) Assignee: **Cummins Emission Solutions Inc.**,
Columbus, IN (US)

Primary Examiner — Mark A Goodwin
(74) *Attorney, Agent, or Firm* — Foley & Lardner LLP

(**) Term: **15 Years**

(57) **CLAIM**

(21) Appl. No.: **29/710,948**

We claim the ornamental design for a baffle for a reductant delivery system, as shown and described.

(22) Filed: **Oct. 28, 2019**

(51) **LOC (13) Cl.** **12-16**

(52) **U.S. Cl.**
USPC **D12/194**

DESCRIPTION

(58) **Field of Classification Search**
USPC D15/22–26, 27, 28, 31; D12/163, 216,
D12/190, 400, 172, 223, 194; 180/89.1,
180/89.12, 89.13, 89.16, 89.19, 89.18,
180/68.6; 296/190.01, 190.08, 190.04,
296/193.1; 37/379; 414/163, 216;
D23/388
CPC B60R 19/52; F01N 3/2892; F01N 3/2066;
F01N 13/02
See application file for complete search history.

FIG. 1 is a front, top, left side perspective view of the baffle for a reductant delivery system according to an embodiment of our new design;
FIG. 2 is a front view of the embodiment;
FIG. 3 is a rear view of the embodiment;
FIG. 4 is a left side view of the embodiment;
FIG. 5 is a right side view of the embodiment;
FIG. 6 is a top view of the embodiment;
FIG. 7 is a bottom view of the embodiment;
FIG. 8 is a cross-sectional view of the embodiment taken along the line 8-8 in FIG. 2; and,
FIG. 9 is a front, top, left side perspective view of the embodiment shown in a reductant delivery system.
The ornamental design which is claimed is shown in solid lines in the drawings. The broken lines depict portions of the baffle for a reductant delivery system that form no part of the claimed design.

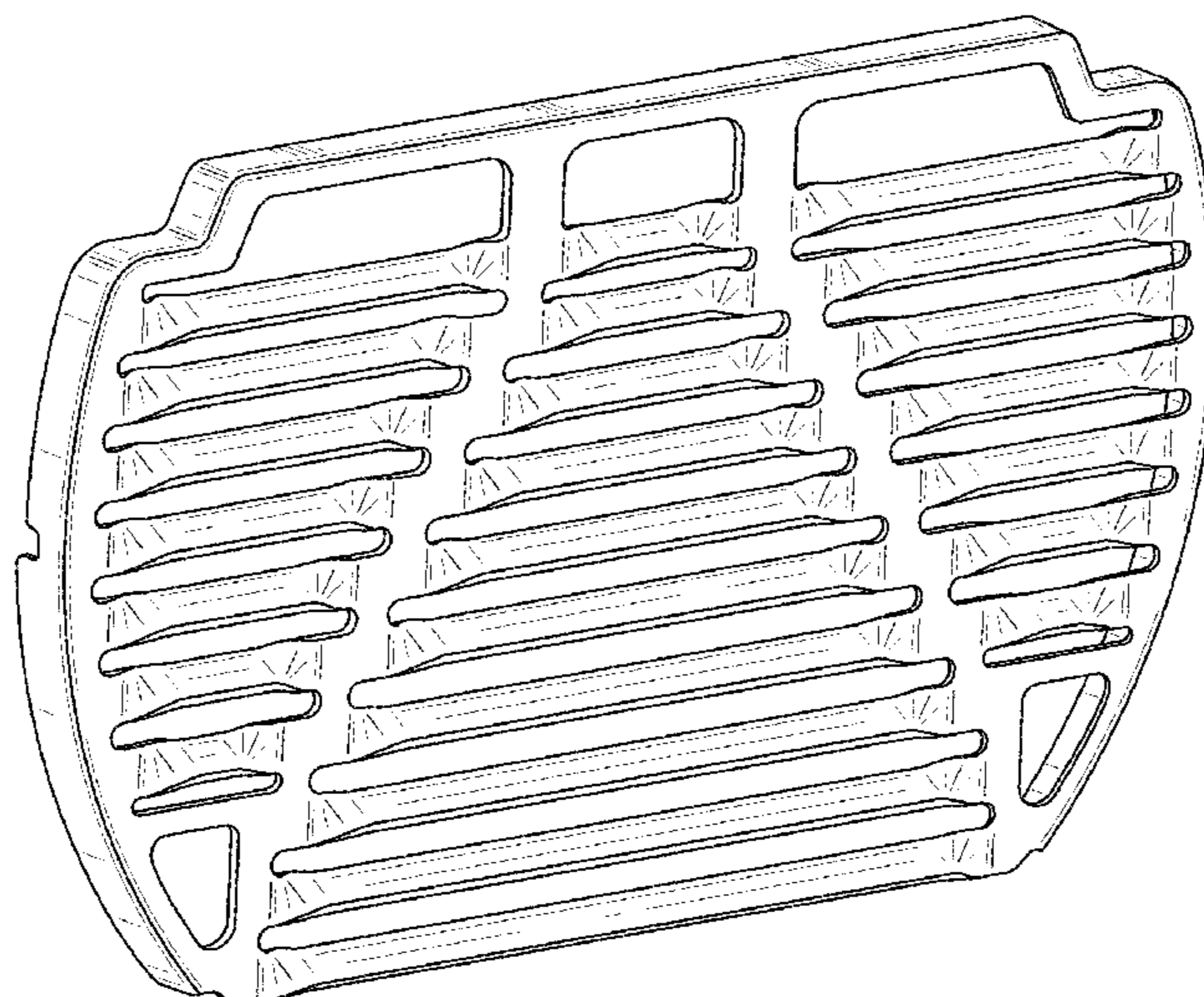
(56) **References Cited**

U.S. PATENT DOCUMENTS

2,972,764 A 2/1961 Linenfelser
2,974,595 A 3/1961 Mohaupt
2,977,912 A 4/1961 Madden
D251,605 S * 4/1979 Anderson D14/299

(Continued)

1 Claim, 5 Drawing Sheets



(56)

References Cited

U.S. PATENT DOCUMENTS

D284,577 S * 7/1986 DuBose D15/28
 D318,328 S * 7/1991 Brennan D23/393
 6,722,124 B2 4/2004 Pawson et al.
 D531,642 S * 11/2006 Maeda D15/5
 D559,869 S * 1/2008 Kelley D12/163
 D579,842 S * 11/2008 Ren D12/194
 D596,649 S * 7/2009 Yan D15/5
 D597,106 S * 7/2009 Kelley D12/163
 D668,691 S * 10/2012 Ewringmann D15/28
 D685,308 S * 7/2013 Verlengiere D12/194
 8,893,481 B2 11/2014 Katou et al.
 9,021,794 B2 5/2015 Goss et al.
 D769,329 S * 10/2016 Ide D15/5
 9,707,525 B2 * 7/2017 De Rudder B01F 3/04049
 9,816,421 B2 11/2017 Lorenz et al.
 D823,205 S * 7/2018 Ihns D12/190
 10,024,217 B1 7/2018 Johnson et al.
 10,245,564 B2 * 4/2019 De Rudder B01F 5/0065
 2009/0313979 A1 12/2009 Kowada
 2010/0146950 A1 6/2010 Hayashi et al.
 2010/0186382 A1 7/2010 Schroeder et al.
 2010/0223916 A1 9/2010 Hayashi et al.
 2011/0099978 A1 5/2011 Davidson et al.
 2011/0308234 A1 12/2011 De Rudder et al.
 2012/0151902 A1 6/2012 Yi et al.
 2012/0227390 A1 * 9/2012 Wikaryasz F01N 13/017
 60/324
 2014/0230411 A1 * 8/2014 De Rudder B01F 5/0451
 60/274
 2014/0260220 A1 * 9/2014 Toelle F01N 13/00
 60/324

2014/0261073 A1 * 9/2014 Cook B61C 17/02
 105/392.5
 2014/0286832 A1 * 9/2014 Yi B01F 3/04049
 422/176
 2014/0311137 A1 10/2014 Wikaryasz et al.
 2015/0071822 A1 3/2015 Stanavich et al.
 2015/0071827 A1 * 3/2015 Niaz B01D 46/0002
 422/169
 2015/0233276 A1 * 8/2015 Cassity F01N 3/2892
 422/176
 2015/0273411 A1 * 10/2015 Chapman B01F 3/04049
 60/301
 2015/0308316 A1 10/2015 Li et al.
 2015/0361849 A1 12/2015 Chiruta et al.
 2016/0243510 A1 * 8/2016 Denton B01D 53/9409
 2017/0354934 A1 12/2017 Muruganatham et al.
 2018/0001279 A1 * 1/2018 De Rudder B01F 5/0065
 2019/0209977 A1 * 7/2019 De Rudder F01N 3/2066
 2020/0102856 A1 * 4/2020 McDeed F01N 3/2066
 2020/0165952 A1 * 5/2020 Tucker F01N 3/2066

FOREIGN PATENT DOCUMENTS

FR 2977912 A1 1/2013
 GB 2 512 896 A 10/2014
 WO WO-2019/143373 A1 7/2019

OTHER PUBLICATIONS

International Search Report and Written Opinion for PCT/US2018/027580, dated Jul. 2, 2018, 7 pages.
 International Search Report and Written Opinion for PCT/US2018/046680, dated Oct. 12, 2018, 6 pages.

* cited by examiner

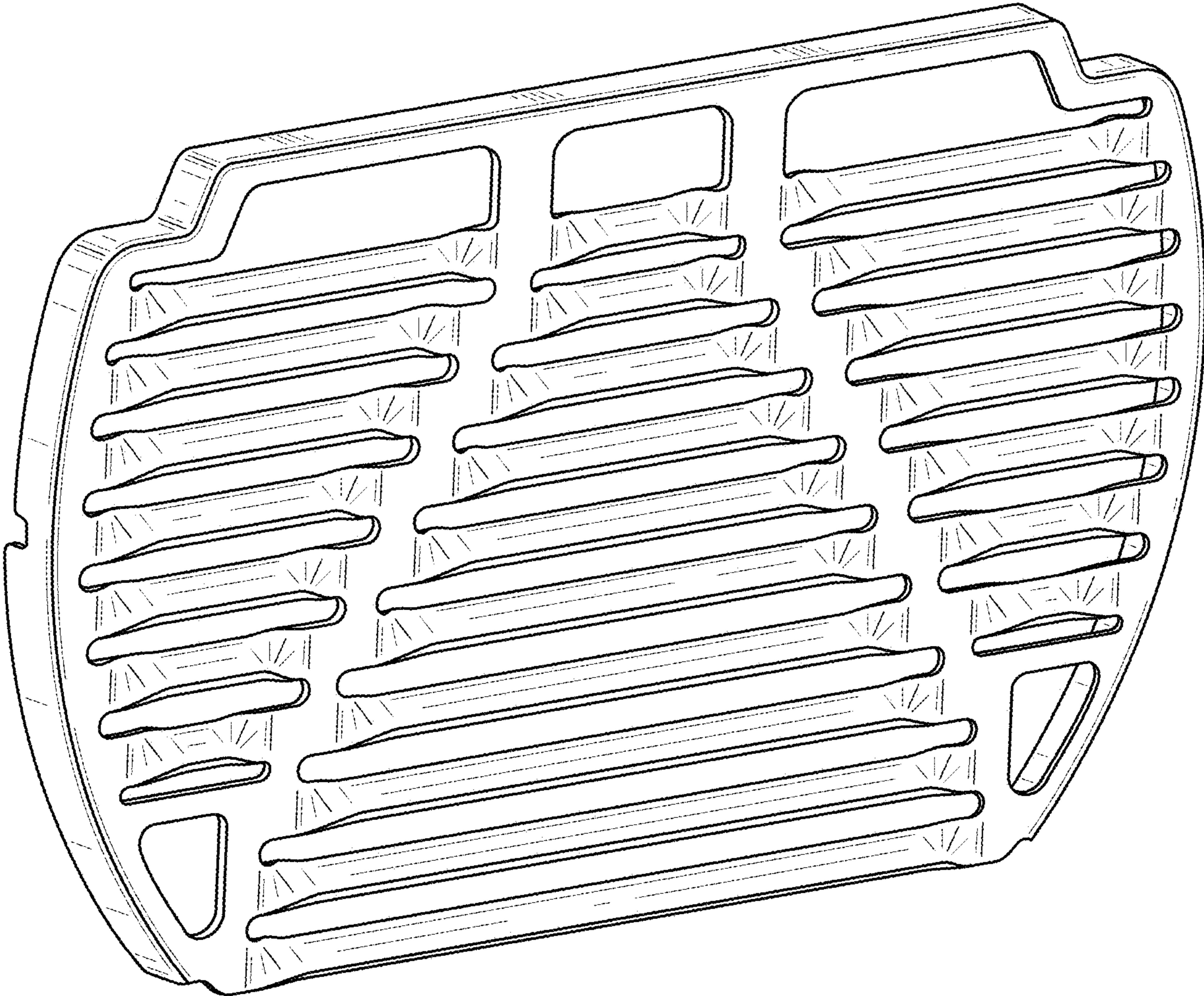


FIG. 1

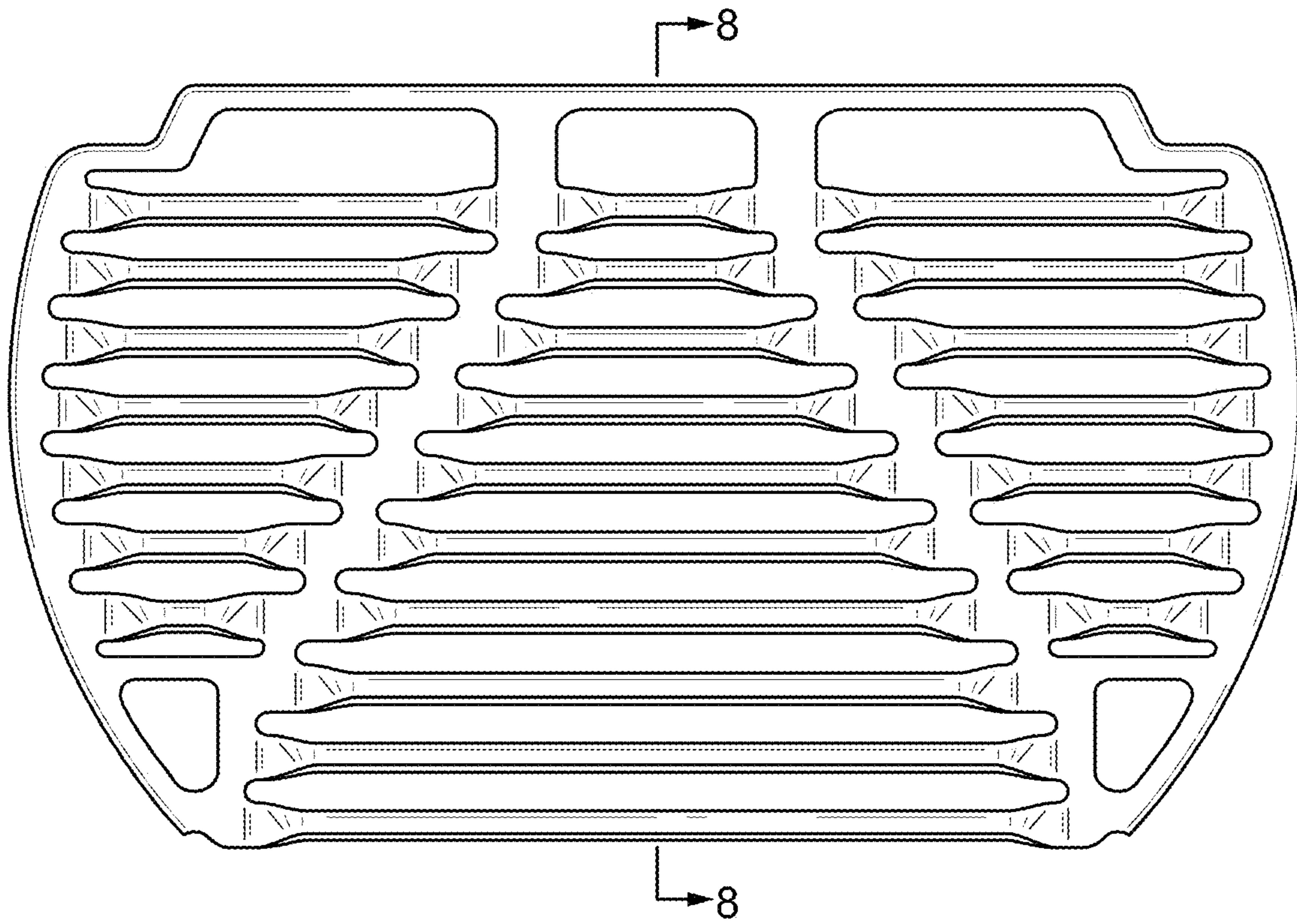


FIG. 2

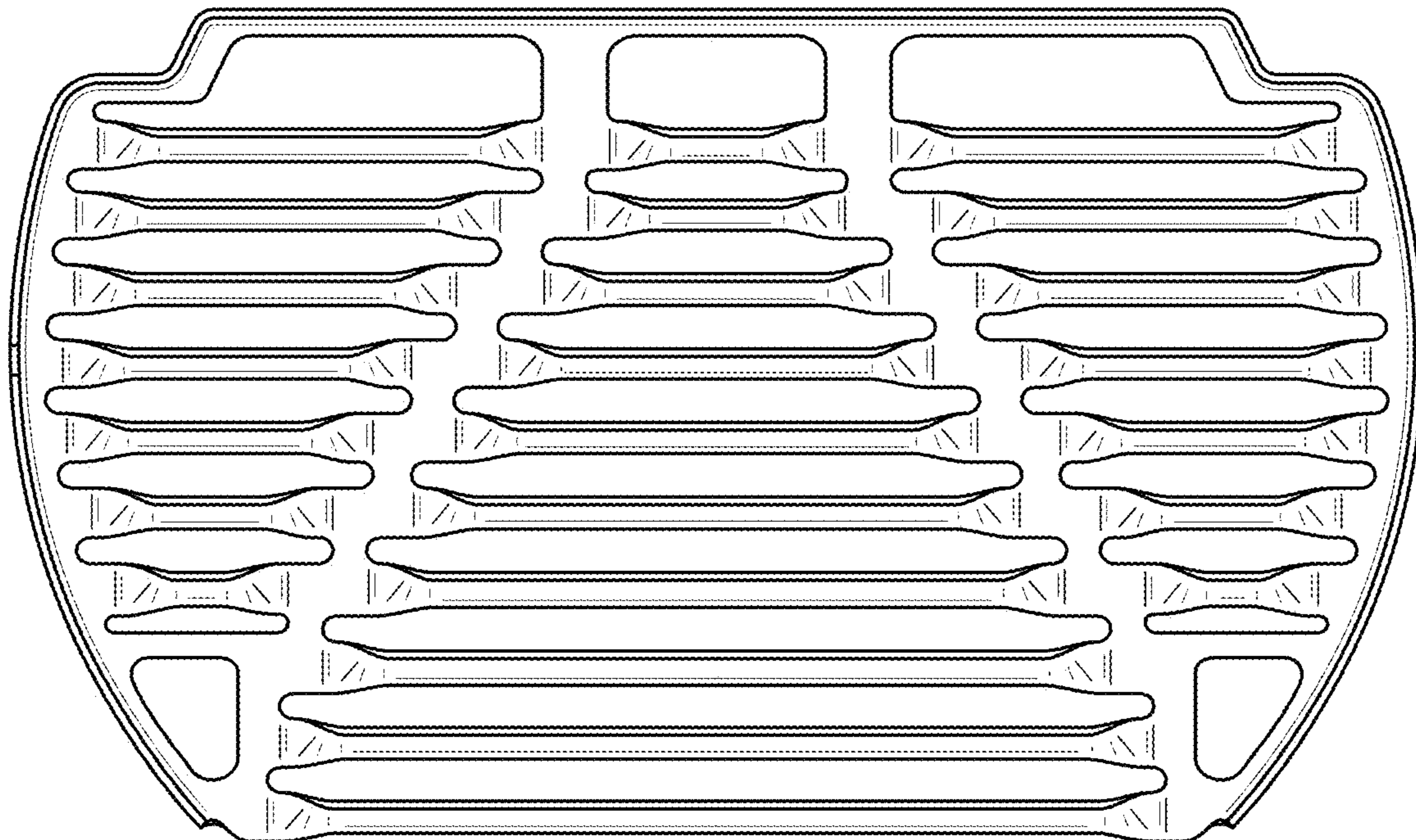


FIG. 3

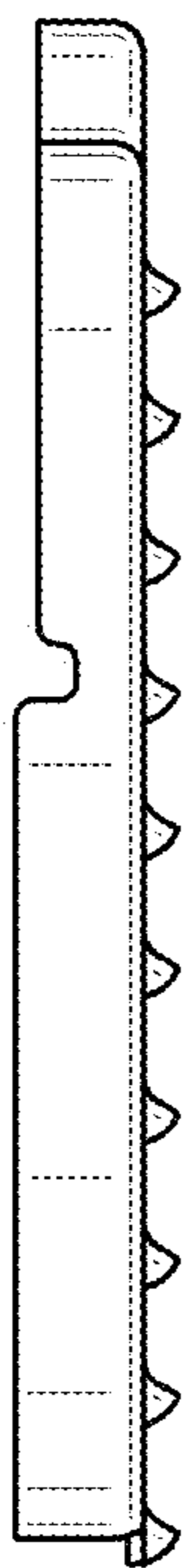


FIG. 4



FIG. 5

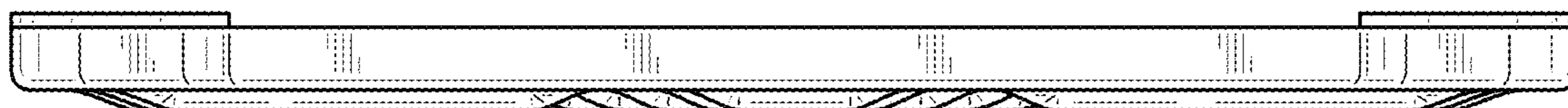


FIG. 6

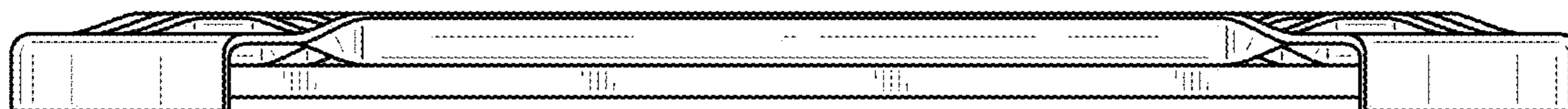


FIG. 7



FIG. 8

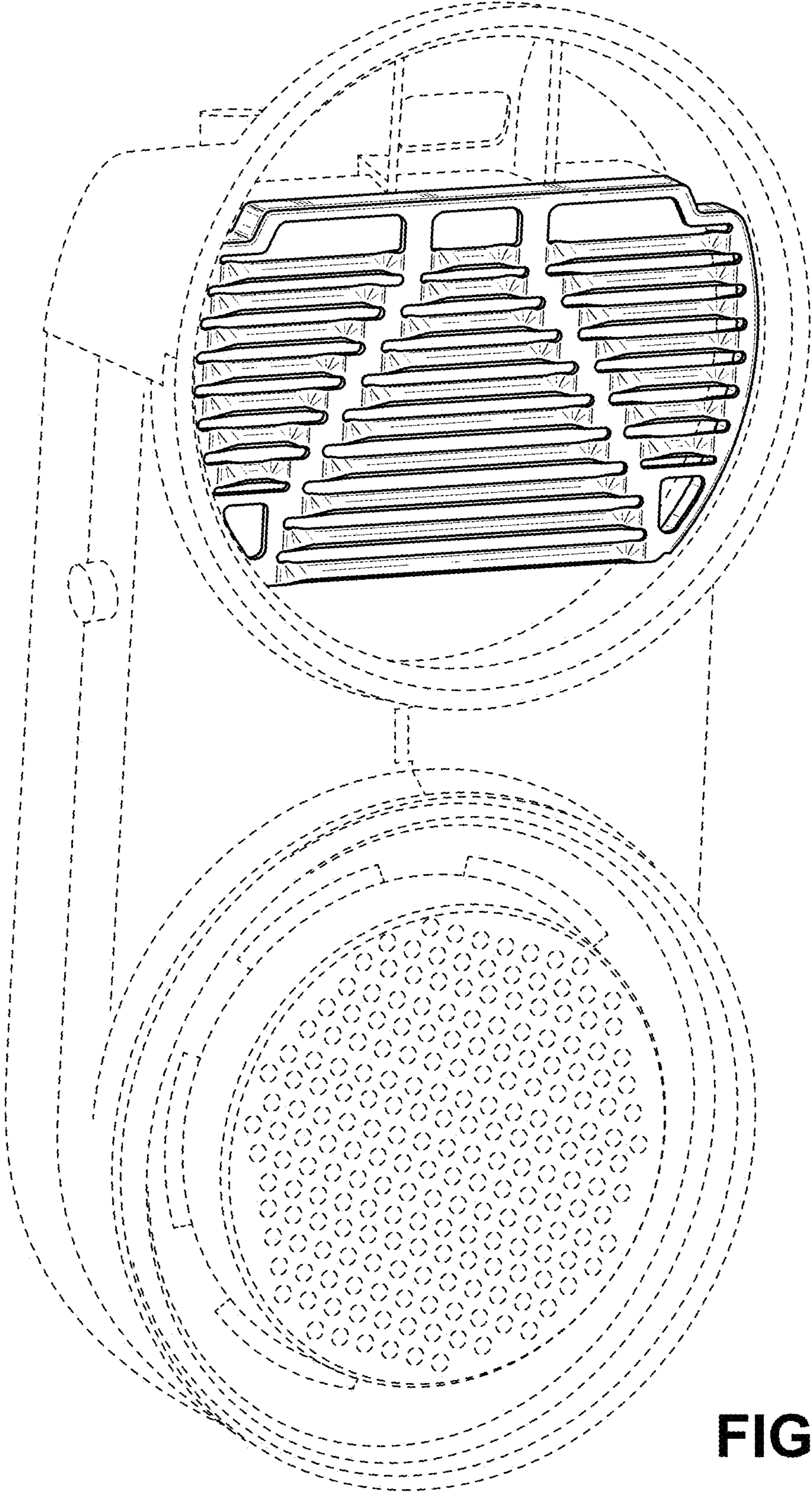


FIG. 9