



US00D907545S

(12) **United States Design Patent**  
**Chen**

(10) **Patent No.:** **US D907,545 S**

(45) **Date of Patent:** **\*\* Jan. 12, 2021**

(54) **ENGINE HOOD**

(71) Applicant: **Bo Chen**, Jiangsu (CN)

(72) Inventor: **Bo Chen**, Jiangsu (CN)

(\*\*) Term: **15 Years**

(21) Appl. No.: **29/689,402**

(22) Filed: **Apr. 30, 2019**

(51) **LOC (13) Cl.** ..... **12-08**

(52) **U.S. Cl.**  
USPC ..... **D12/173**

(58) **Field of Classification Search**  
USPC ... D12/1, 12, 14, 86, 87, 88, 90, 91, 93, 96,  
D12/164, 169, 170, 171, 172, 73, 181,  
D12/186, 190, 192, 196, 400  
CPC .... B62D 25/10; B62D 25/105; B60R 13/0838  
See application file for complete search history.

(56) **References Cited**

**U.S. PATENT DOCUMENTS**

D437,270 S *	2/2001	Yokomaku	.....	D12/173
D560,576 S *	1/2008	Tant	.....	D12/173
D571,267 S *	6/2008	Baum	.....	D12/173
D641,669 S *	7/2011	Vardis	.....	D12/173
D735,625 S *	8/2015	Mays	.....	D12/173

D787,993 S *	5/2017	McCabe	.....	D12/173
D848,327 S *	5/2019	Tovey	.....	D12/173
D850,335 S *	6/2019	Smith	.....	D12/173
D861,556 S *	10/2019	Bucher	.....	D12/173
D864,807 S *	10/2019	Park	.....	D12/173
D887,923 S *	6/2020	Metros	.....	D12/173
D894,063 S *	8/2020	Dionisopoulos	.....	D12/173

\* cited by examiner

*Primary Examiner* — Michael A. Pratt

*Assistant Examiner* — Adam C Mager

(74) *Attorney, Agent, or Firm* — HYIP

(57) **CLAIM**

The ornamental design for an engine hood, as shown and described.

**DESCRIPTION**

FIG. 1 is a perspective view of an engine hood showing my new design;

FIG. 2 is a front elevational view thereof;

FIG. 3 is a rear elevational view thereof;

FIG. 4 is a left side elevational view thereof;

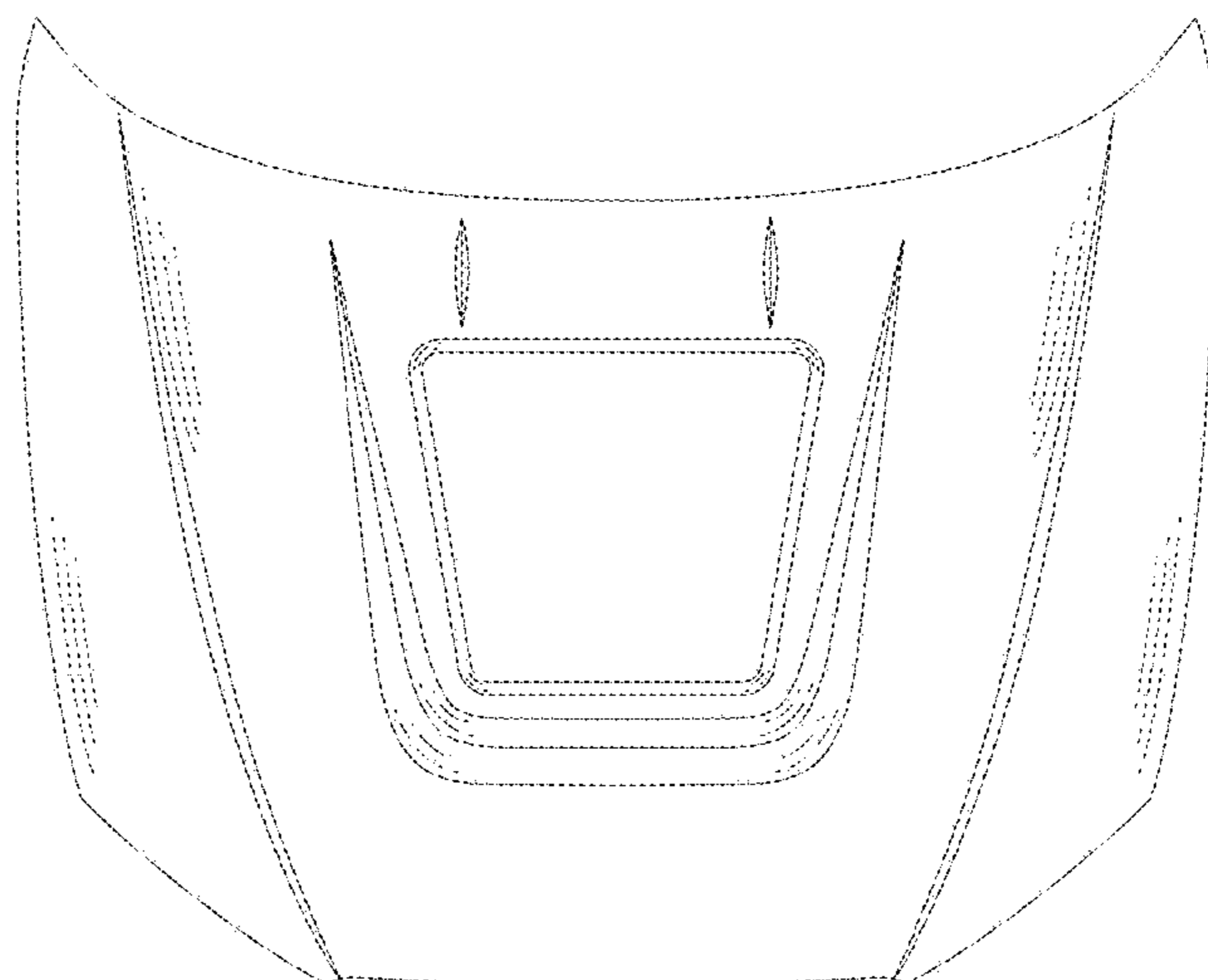
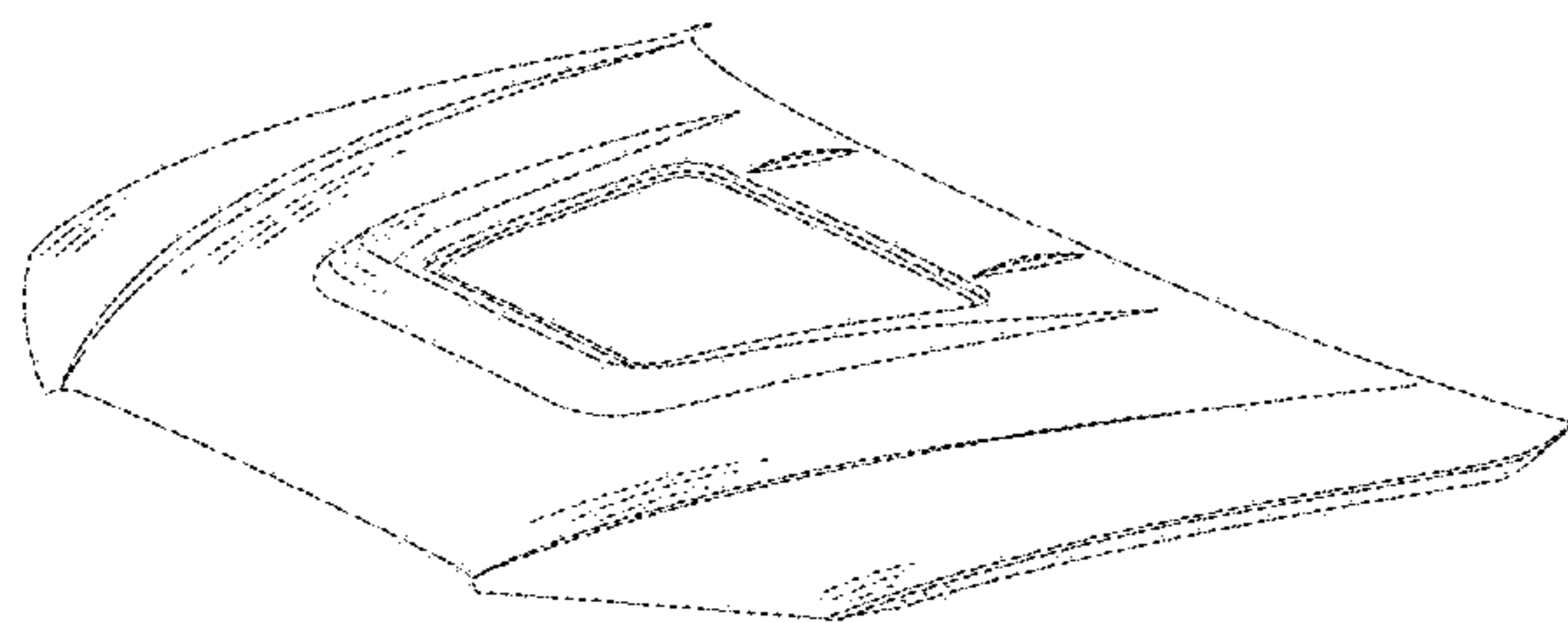
FIG. 5 is a right side elevational view thereof;

FIG. 6 is a top plan view thereof;

FIG. 7 is a bottom plan view thereof; and,

FIG. 8 is a left, rear, bottom perspective view thereof.

**1 Claim, 8 Drawing Sheets**



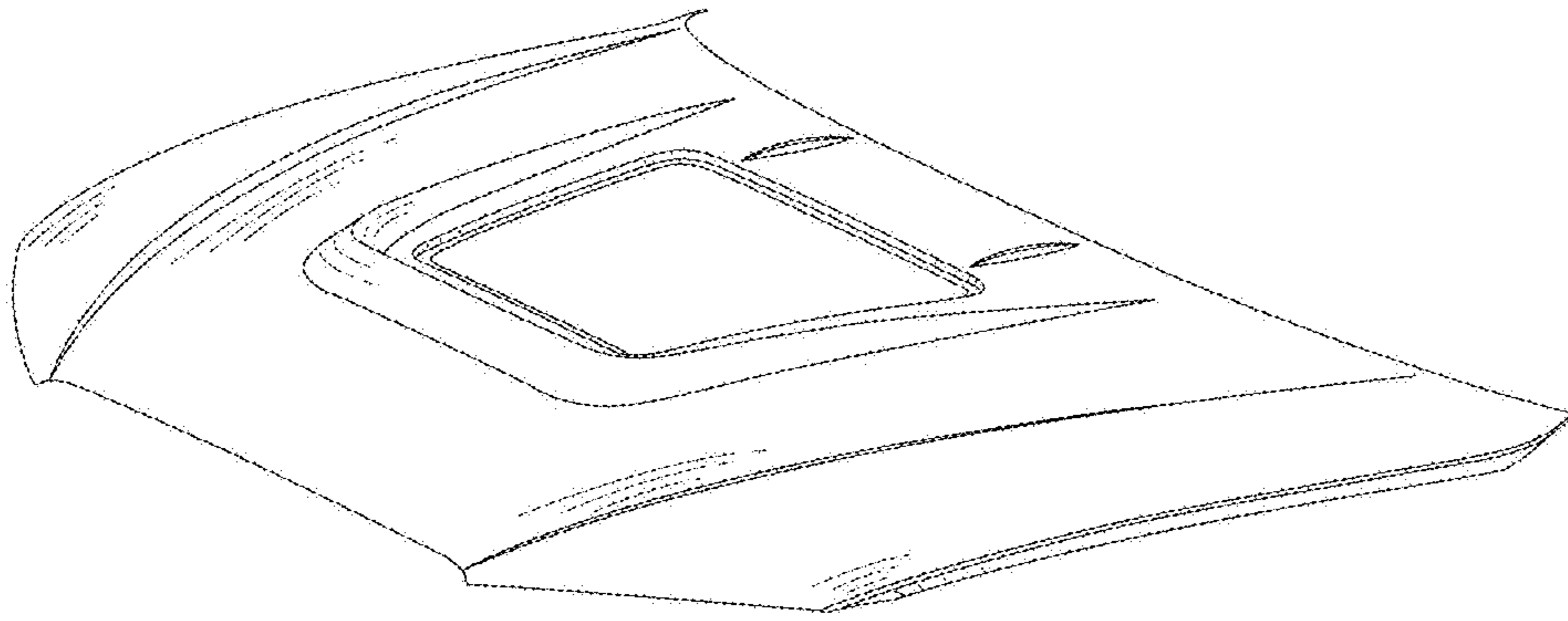


FIG. 1

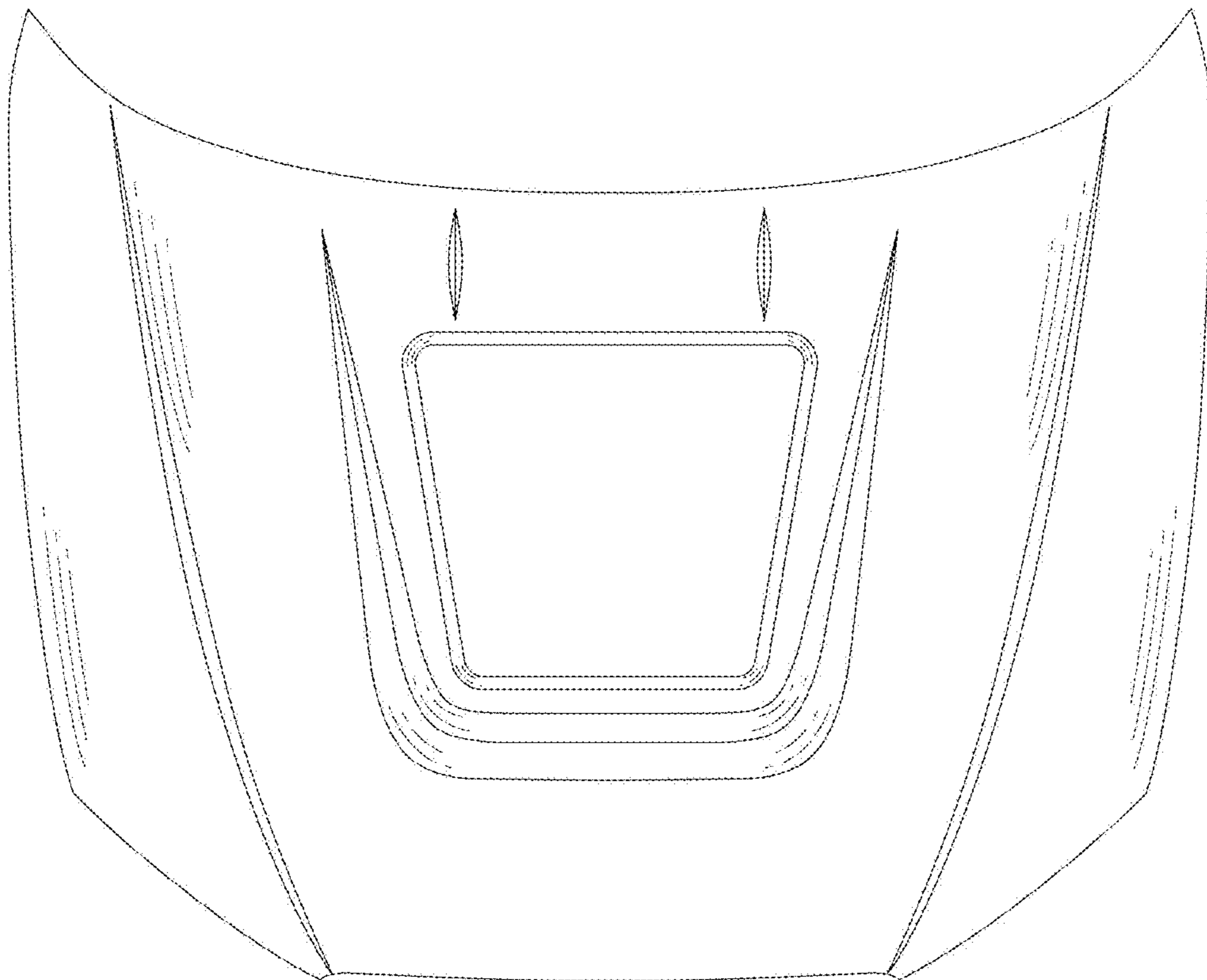


FIG. 2

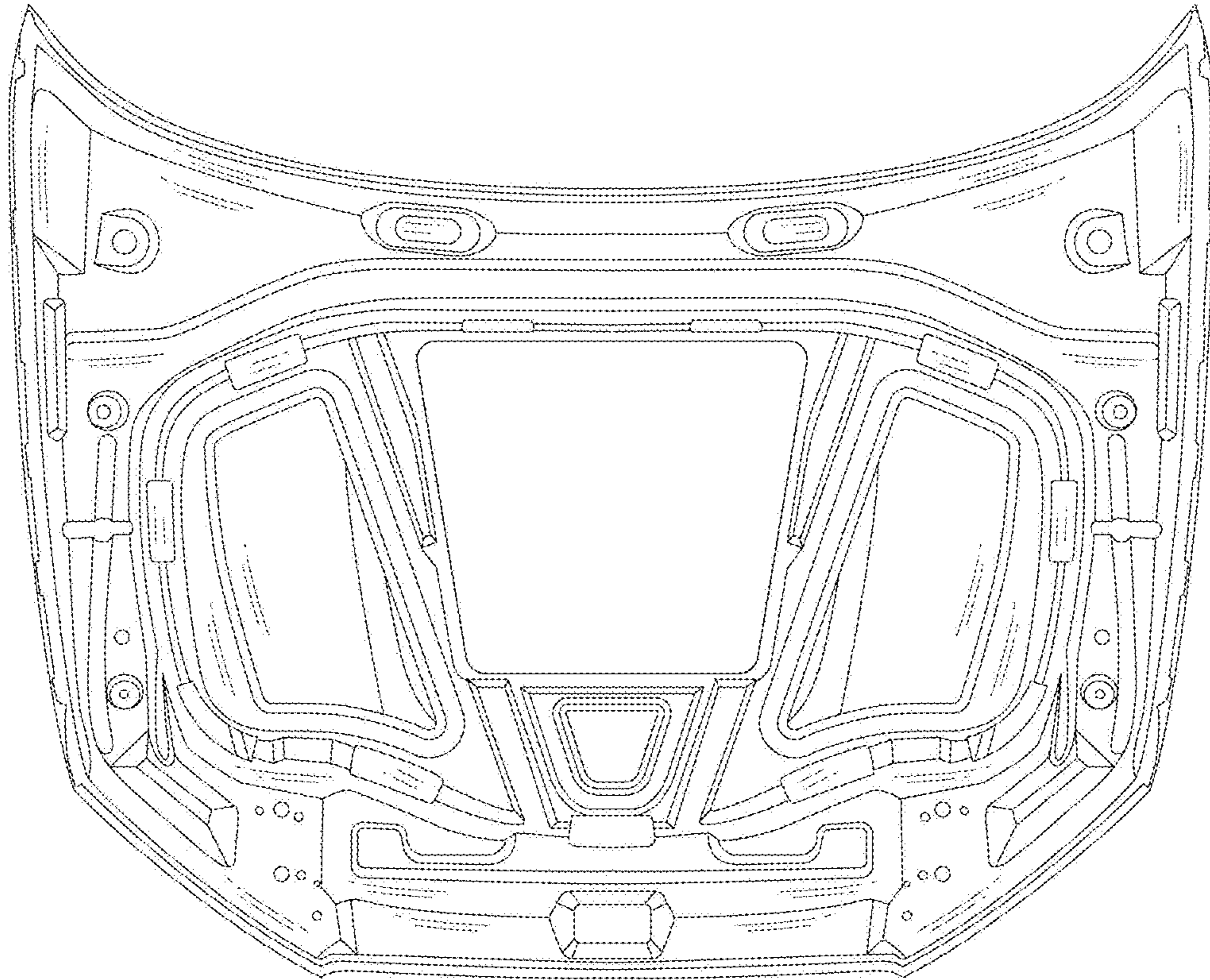


FIG. 3

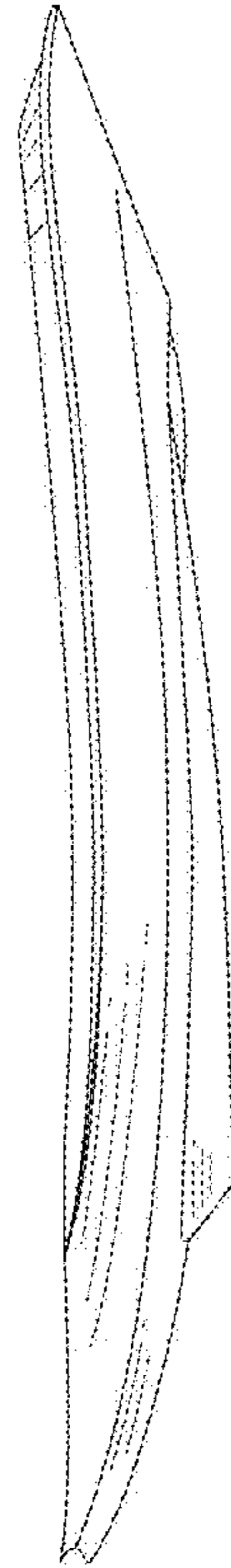


FIG. 4

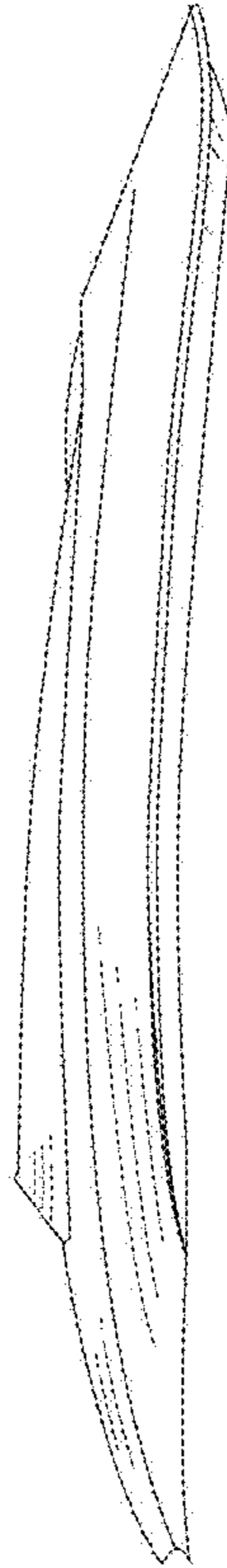


FIG. 5



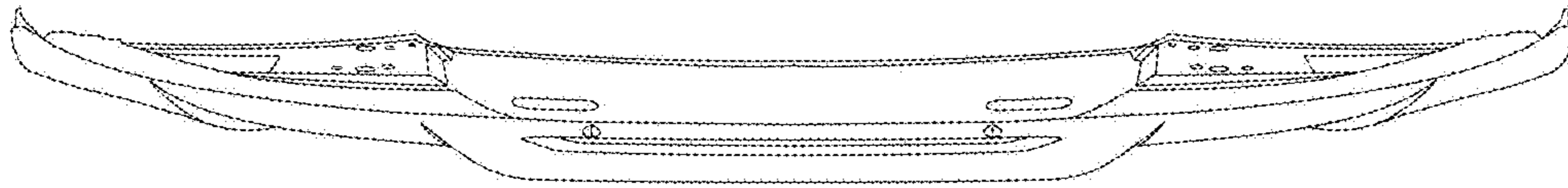


FIG. 6

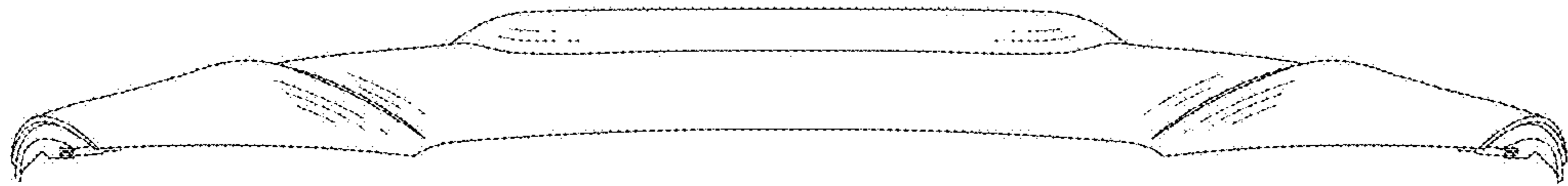


FIG. 7



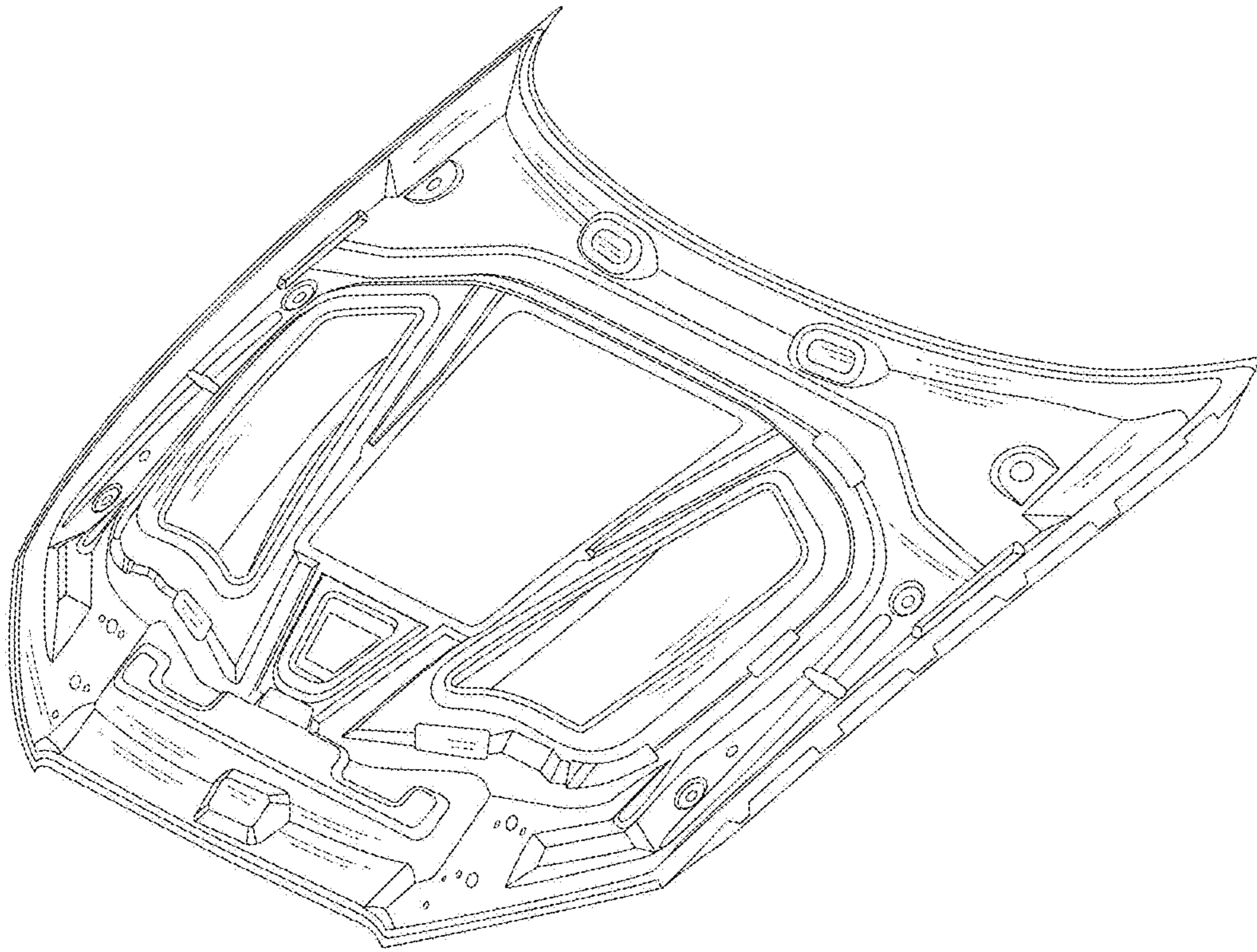


FIG. 8