



US00D907544S

(12) **United States Design Patent** (10) **Patent No.:** **US D907,544 S**
Wall et al. (45) **Date of Patent:** **** Jan. 12, 2021**

(54) **VEHICLE FRONT BUMPER** 6,779,806 B1 8/2004 Breitbach et al.
D502,433 S * 3/2005 McClanahan D12/169
(71) Applicant: **Oshkosh Corporation**, Oshkosh, WI D572,642 S 7/2008 Steckling et al.
(US) D590,752 S * 4/2009 Williams D12/169
7,703,834 B1 * 4/2010 Hardy B60R 19/023
(72) Inventors: **Eric Wall**, Oshkosh, WI (US); **Jeremy** D713,305 S * 9/2014 Sperling D12/169
Andringa, Oshkosh, WI (US); **Jesse** 9,045,014 B1 6/2015 Verhoff et al.
Gander, Larsen, WI (US); **Chris** 9,174,686 B1 11/2015 Messina et al.
Yakes, Oshkosh, WI (US); **Wes** D744,384 S * 12/2015 Harriton D12/169
Holliday, Oshkosh, WI (US); **McCall** D744,387 S * 12/2015 Harriton D12/169
Groen, Oshkosh, WI (US) D751,012 S * 3/2016 Hare D12/171
D760,133 S * 6/2016 Bennett D12/171
(73) Assignee: **Oshkosh Corporation**, Oshkosh, WI 9,656,640 B1 5/2017 Verhoff et al.
(US) 9,707,869 B1 7/2017 Messina et al.
D837,702 S 1/2019 Gander et al.
D843,281 S 3/2019 Gander et al.
(**) Term: **15 Years** 2002/0103580 A1 8/2002 Yakes et al.
2003/0158638 A1 8/2003 Yakes et al.
(21) Appl. No.: **29/683,333** 2003/0205422 A1 11/2003 Morrow et al.
2004/0133332 A1 7/2004 Yakes et al.

(Continued)

(22) Filed: **Mar. 12, 2019**
(51) **LOC (13) Cl.** **12-16**
(52) **U.S. Cl.**
USPC **D12/171; D12/169**
(58) **Field of Classification Search**
USPC D12/86, 90, 91, 92, 163, 164, 169, 171,
D12/196, 216
CPC B60R 19/02; B60R 19/18; B60R 19/24;
B60R 19/56; B60R 2019/007; B62D
25/0845
See application file for complete search history.

Primary Examiner — Darlington Ly
(74) *Attorney, Agent, or Firm* — Foley & Lardner LLP

(57) **CLAIM**

The ornamental design for a vehicle front bumper, as shown and described.

DESCRIPTION

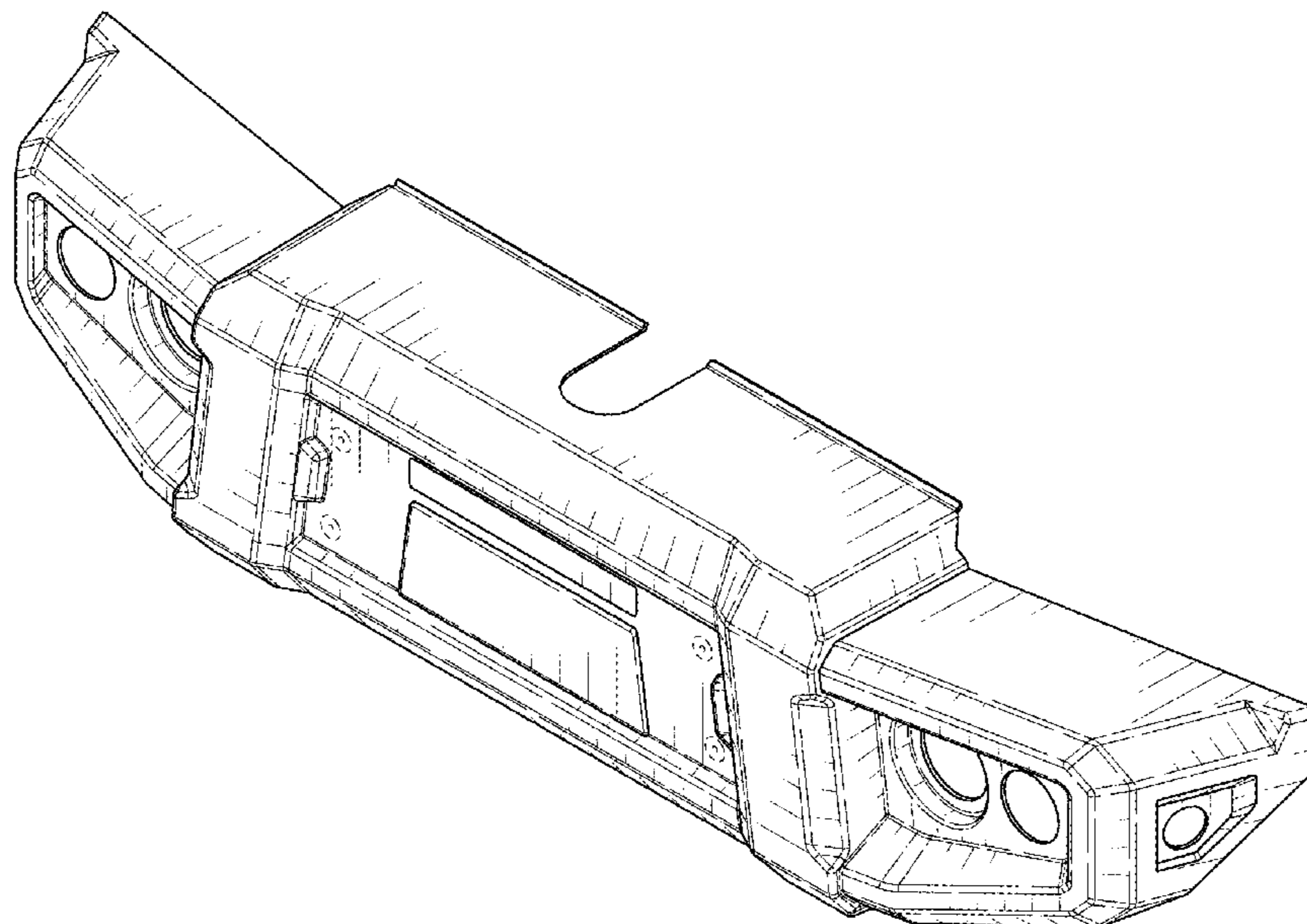
FIG. 1 is a top, front, and left side perspective view of a vehicle front bumper embodying our new design;
FIG. 2 is a front elevation view thereof;
FIG. 3 is a rear elevation view thereof;
FIG. 4 is a right side elevation view thereof;
FIG. 5 is a left side elevation view thereof;
FIG. 6 is a top plan view thereof; and,
FIG. 7 is a bottom plan view thereof.
The broken lines in the drawings illustrate portions of the vehicle front bumper that form no part of the claimed design.

1 Claim, 4 Drawing Sheets

(56) **References Cited**

U.S. PATENT DOCUMENTS

D360,865 S * 8/1995 Hanson D12/169
6,105,984 A 8/2000 Schmitz et al.
D454,098 S * 3/2002 McGuinness D12/171
D455,988 S * 4/2002 McGuinness D12/171
D460,030 S * 7/2002 Duckett D12/169
6,516,914 B1 2/2003 Andersen et al.
6,520,494 B1 2/2003 Andersen et al.



(56)

References Cited

U.S. PATENT DOCUMENTS

2004/0245039 A1 12/2004 Braun et al.
2005/0113988 A1 5/2005 Nasr et al.
2005/0119806 A1 6/2005 Nasr et al.
2005/0209747 A1 9/2005 Yakes et al.
2006/0065451 A1 3/2006 Morrow et al.
2006/0070776 A1 4/2006 Morrow et al.
2006/0192361 A1 8/2006 Anderson et al.
2006/0249325 A1 11/2006 Braun et al.
2007/0288131 A1 12/2007 Yakes et al.
2007/0291130 A1 12/2007 Broggi et al.
2008/0059014 A1 3/2008 Nasr et al.
2008/0065285 A1 3/2008 Yakes et al.
2008/0071438 A1 3/2008 Nasr et al.
2008/0150350 A1 6/2008 Morrow et al.
2009/0079839 A1 3/2009 Fischer et al.
2009/0127010 A1 5/2009 Morrow et al.
2009/0174158 A1 7/2009 Anderson et al.
2009/0302623 A1* 12/2009 Finney B60R 19/52
293/115
2010/0116569 A1 5/2010 Morrow et al.
2010/0301668 A1 12/2010 Yakes et al.
2012/0143430 A1 6/2012 Broggi et al.
2015/0151651 A1 6/2015 Stingle et al.
2017/0253221 A1 9/2017 Verhoff et al.
2017/0361491 A1 12/2017 Datema et al.
2017/0361492 A1 12/2017 Datema et al.
2019/0185077 A1 6/2019 Smith et al.

* cited by examiner

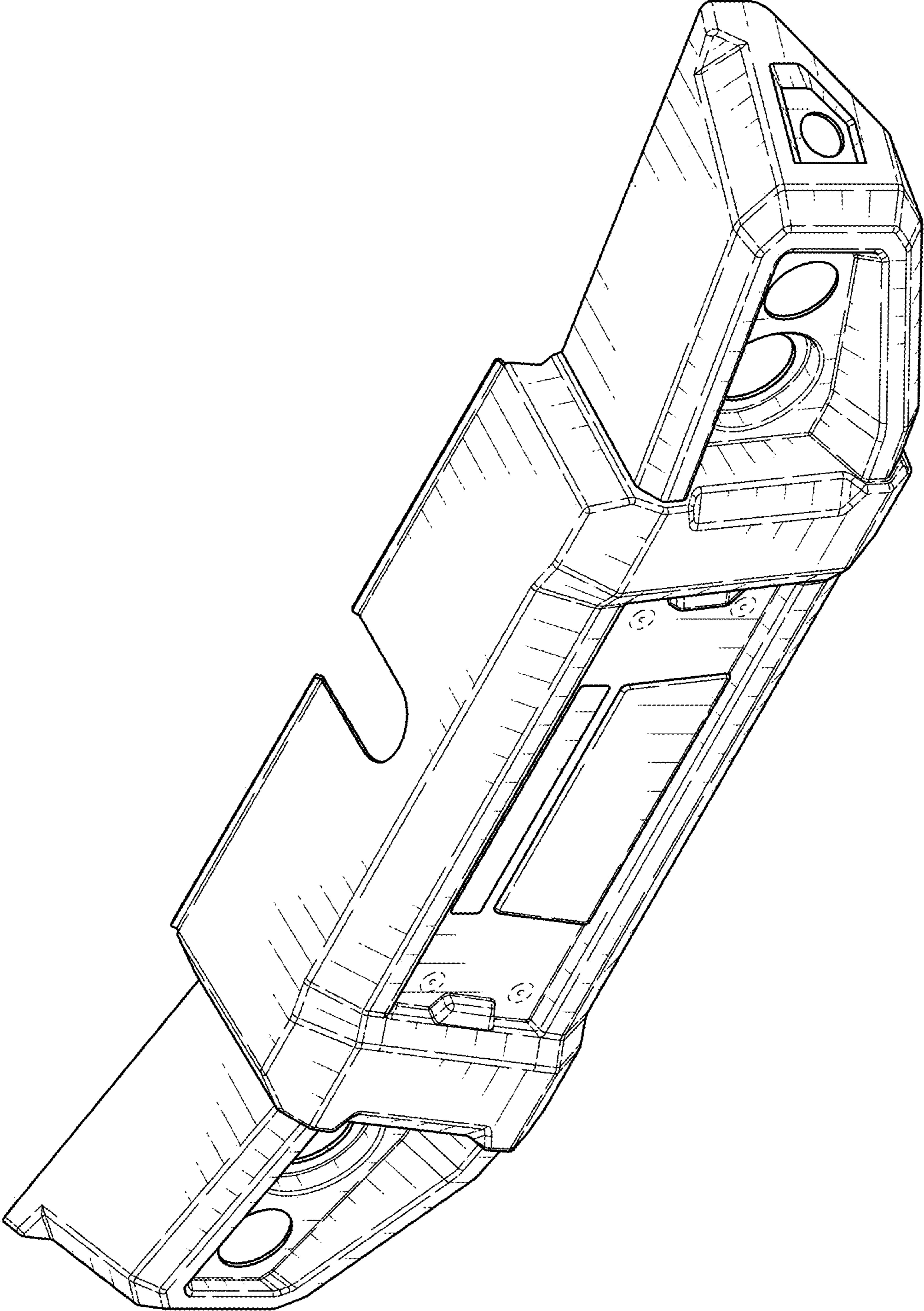


FIG. 1

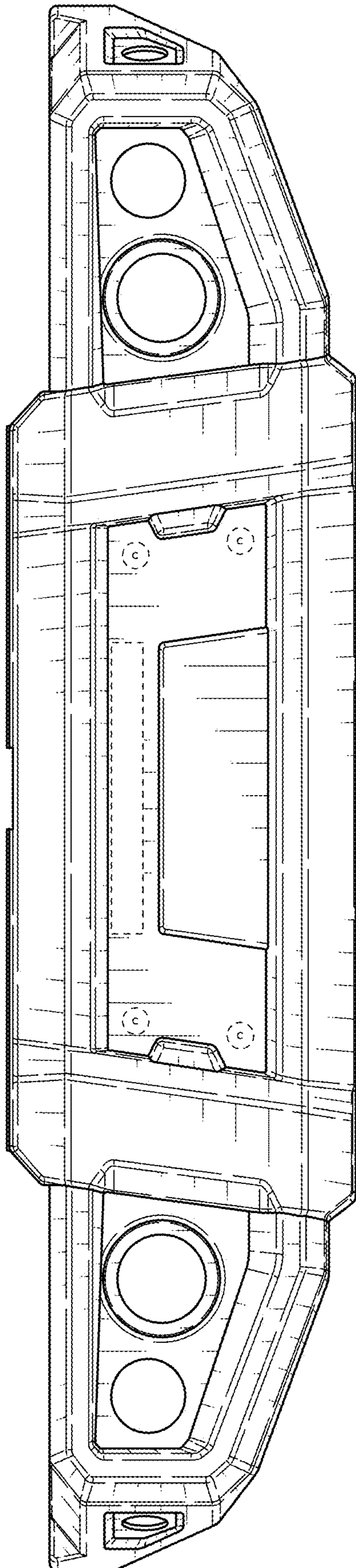


FIG. 2

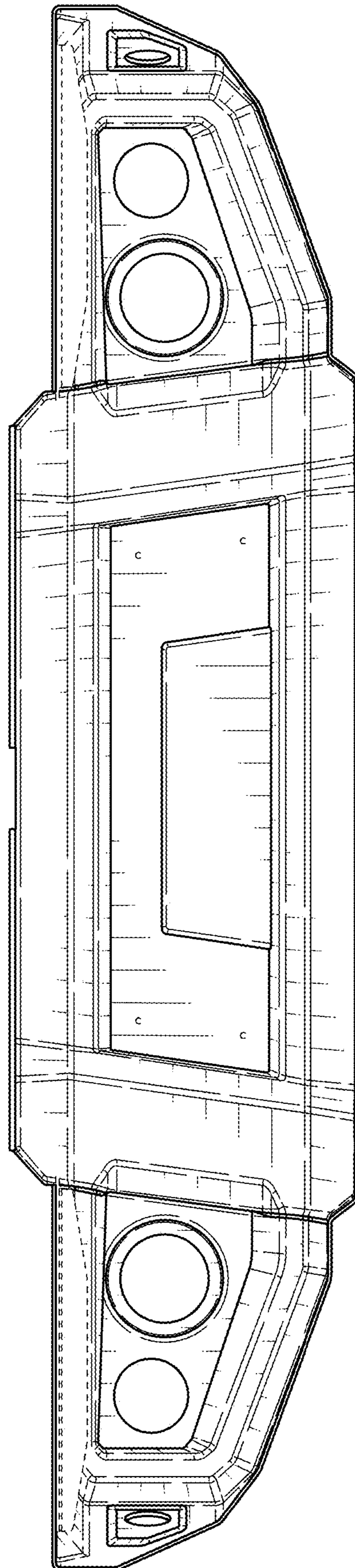


FIG. 3

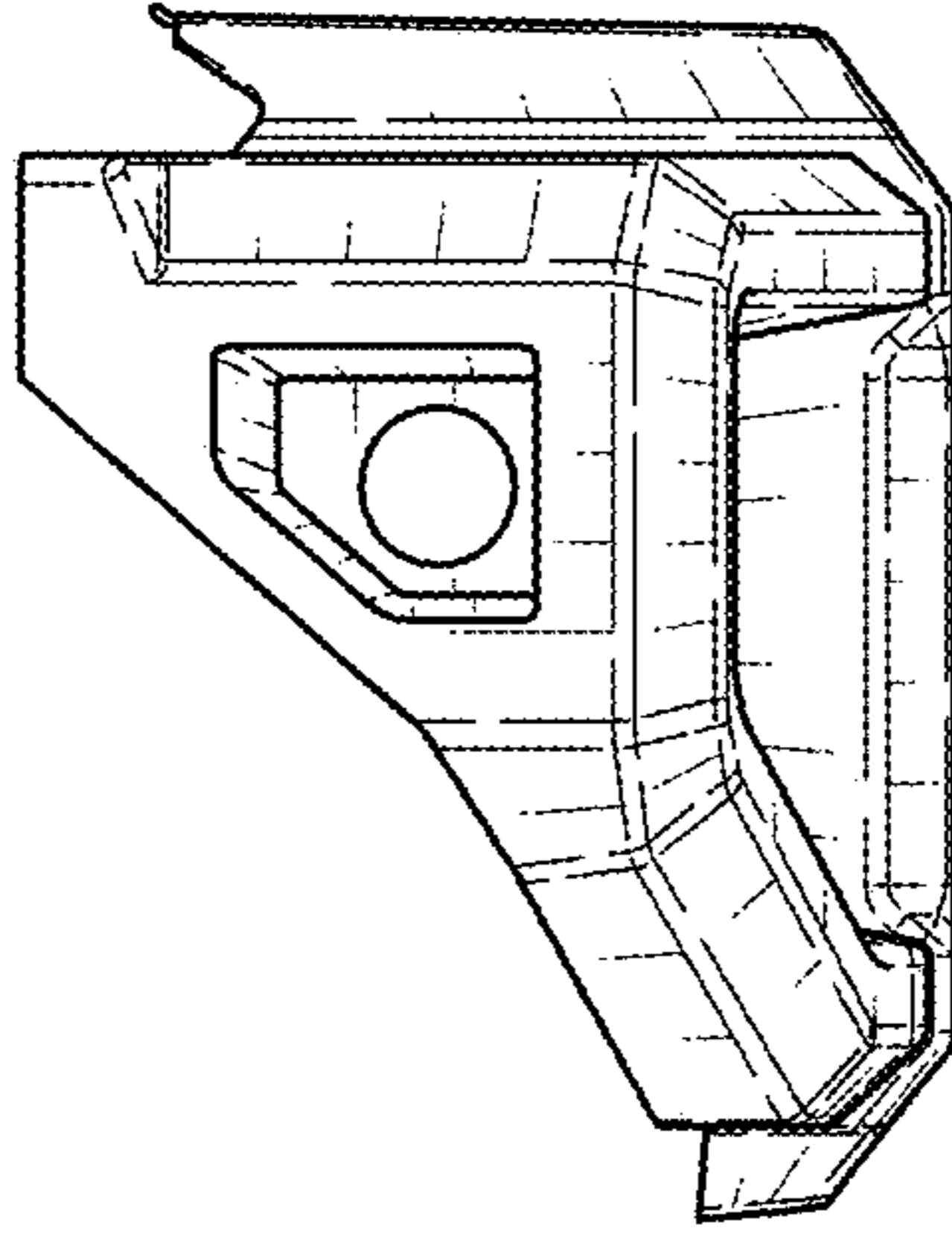


FIG. 4

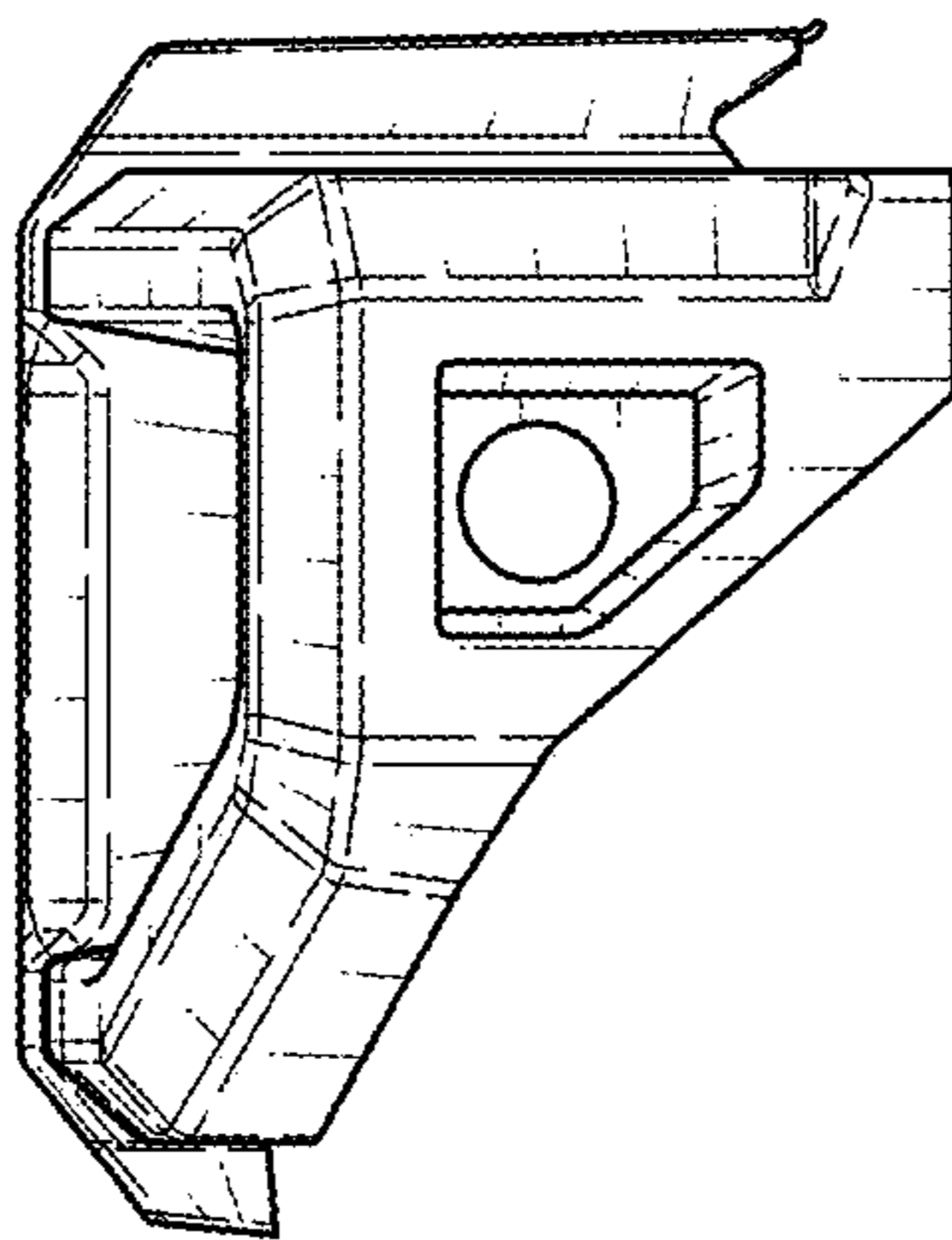


FIG. 5

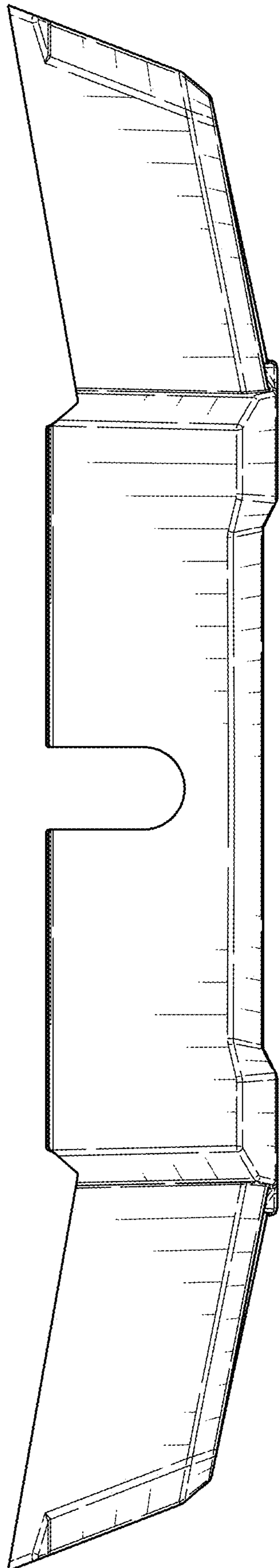


FIG. 6

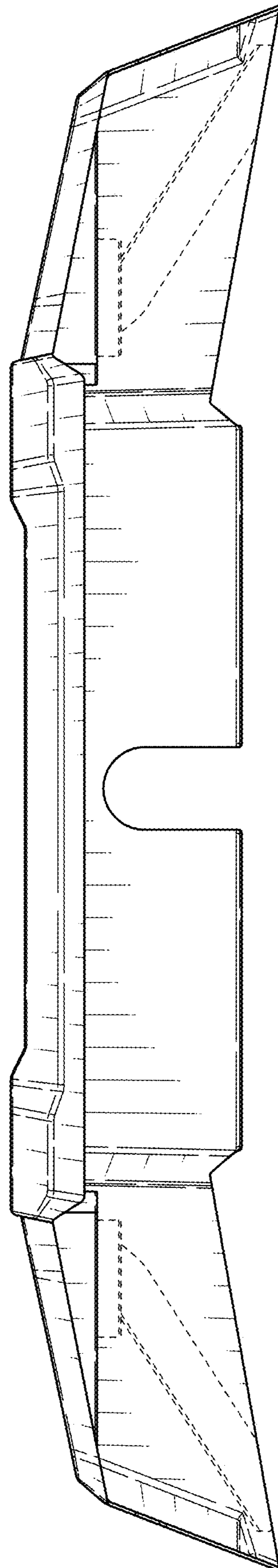


FIG. 7