



US00D907541S

(12) **United States Design Patent**
Cox

(10) **Patent No.:** **US D907,541 S**
(45) **Date of Patent:** **** Jan. 12, 2021**

- (54) **BUMPER**
- (71) Applicant: **MF IP Holding, LLC**, West Jordan, UT (US)
- (72) Inventor: **Christopher Paul Cox**, West Jordan, UT (US)
- (73) Assignee: **MF IP Holding, LLC**, West Jordan, UT (US)

- D315,542 S * 3/1991 Dalton D12/167
- 5,060,994 A * 10/1991 Martin B60R 13/04
267/140
- 5,267,763 A * 12/1993 Klein B60R 13/04
248/206.5
- D358,358 S * 5/1995 Burroughs D12/167
- D368,060 S * 3/1996 Perlman D12/167
- D386,458 S * 11/1997 Smith D12/167
- D423,437 S * 4/2000 Saleen D12/167
- D437,810 S * 2/2001 Runfola D12/167

(Continued)

- (**) Term: **15 Years**
- (21) Appl. No.: **29/691,374**

Primary Examiner — Darlington Ly
(74) *Attorney, Agent, or Firm* — Christensen O'Connor Johnson Kindness PLLC

- (22) Filed: **May 15, 2019**
- (51) **LOC (13) Cl.** **12-16**
- (52) **U.S. Cl.**
USPC **D12/167**; D12/193; D12/401
- (58) **Field of Classification Search**
USPC D12/86, 90, 91, 92, 110, 114, 163, 167,
D12/169, 171, 190, 400; D11/11, 81,
D11/133, 157, 172, 211; D20/23, 24, 25,
D20/30, 31, 32
CPC ... G09F 7/00; G09F 7/02; G06K 9/325; B60P
3/36; B60R 13/10; B60R 13/105; B60R
19/44; B60Q 1/56
See application file for complete search history.

(57) **CLAIM**

The ornamental design for a bumper, as shown and described.

DESCRIPTION

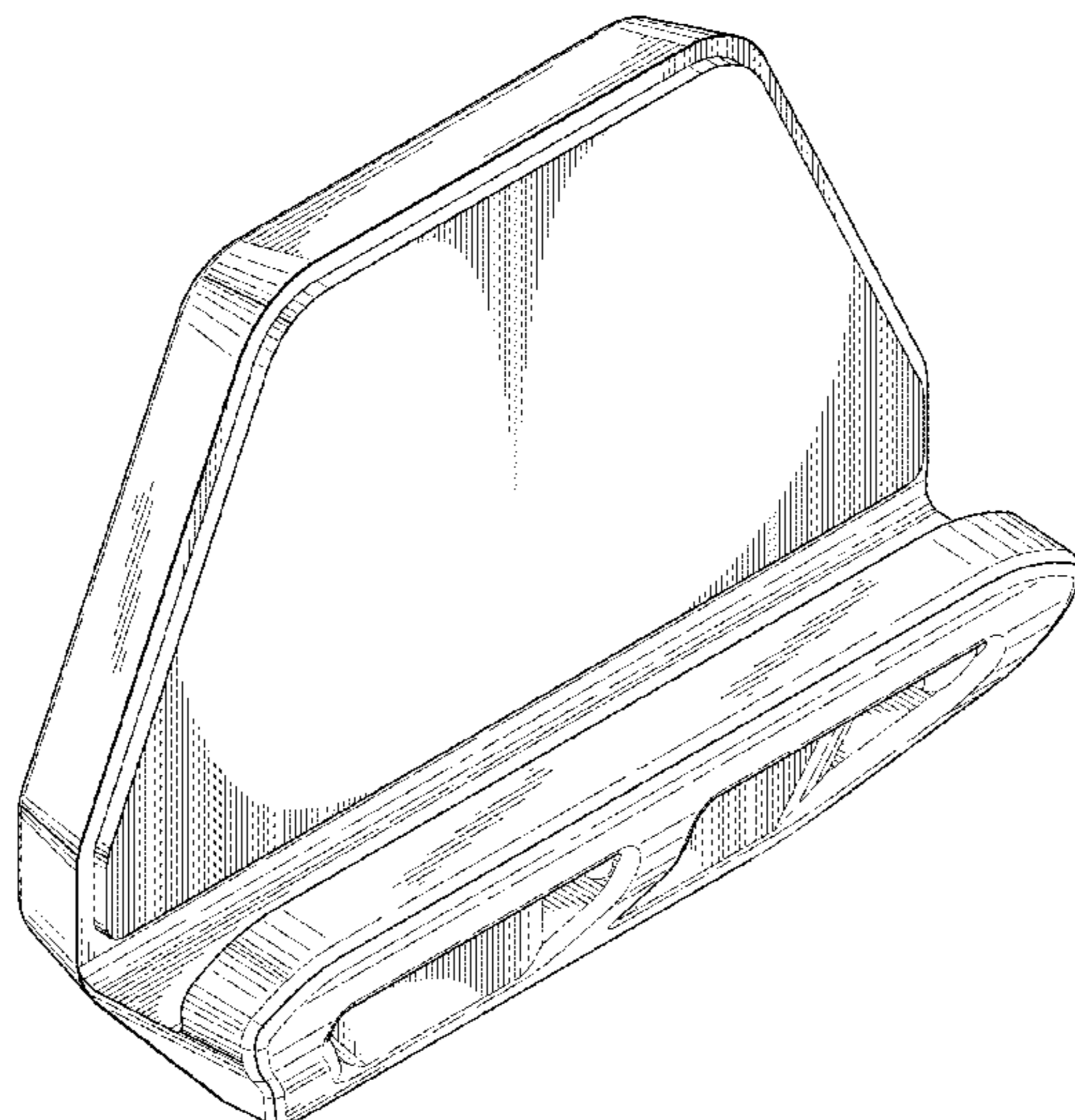
FIG. 1 is a top, front, and left side perspective view of a bumper showing my new design;
FIG. 2 is a bottom, front, and right side perspective view of the bumper shown in FIG. 1;
FIG. 3 is a top rear right perspective view of the bumper shown in FIG. 1;
FIG. 4 is a front elevation view of the bumper shown in FIG. 1;
FIG. 5 is a rear elevation view of the bumper shown in FIG. 1;
FIG. 6 is a top plan view of the bumper shown in FIG. 1;
FIG. 7 is a bottom plan view of the bumper shown in FIG. 1;
FIG. 8 is a left elevation view of the bumper shown in FIG. 1; and,
FIG. 9 is a right elevation view of the bumper shown in FIG. 1.

(56) **References Cited**

U.S. PATENT DOCUMENTS

- D160,548 S * 10/1950 Sheard D12/190
- D183,103 S * 6/1958 Mackichan D12/190
- 3,659,887 A * 5/1972 Marquette B60R 13/04
293/128
- 4,221,412 A * 9/1980 Miller B60R 13/04
280/770
- 4,530,519 A * 7/1985 Marshall B60J 11/025
280/770
- 4,879,543 A * 11/1989 Smith, Sr. B60Q 1/323
340/473
- D309,593 S * 7/1990 Bailey D12/167
- D313,862 S * 1/1991 Gaukler D12/190

1 Claim, 7 Drawing Sheets



(56)

References Cited

U.S. PATENT DOCUMENTS

D446,484	S *	8/2001	Martel	B60R 13/04
					D12/167
6,318,045	B1 *	11/2001	Kress	B60R 13/04
					156/71
D451,870	S *	12/2001	Hurayt	D12/190
6,527,319	B1 *	3/2003	Martel	B60R 19/42
					293/128
D472,505	S *	4/2003	Hurayt	D12/190
D484,080	S *	12/2003	Yamamoto	D12/190
D515,989	S *	2/2006	Choi	D12/169
D613,220	S *	4/2010	Ikeda	D12/190
7,950,706	B2 *	5/2011	Shaw	B65G 1/02
					293/142
D653,178	S *	1/2012	Carducci	D12/167
8,496,267	B2 *	7/2013	Wohlberg	B60J 11/06
					280/770
D709,806	S *	7/2014	Musgrove	D12/167
D723,434	S *	3/2015	McNeil	D12/167
D743,852	S *	11/2015	Rouzaud	D12/167
D789,868	S *	6/2017	Enz	D12/400
D807,247	S *	1/2018	Malina	D12/167

* cited by examiner

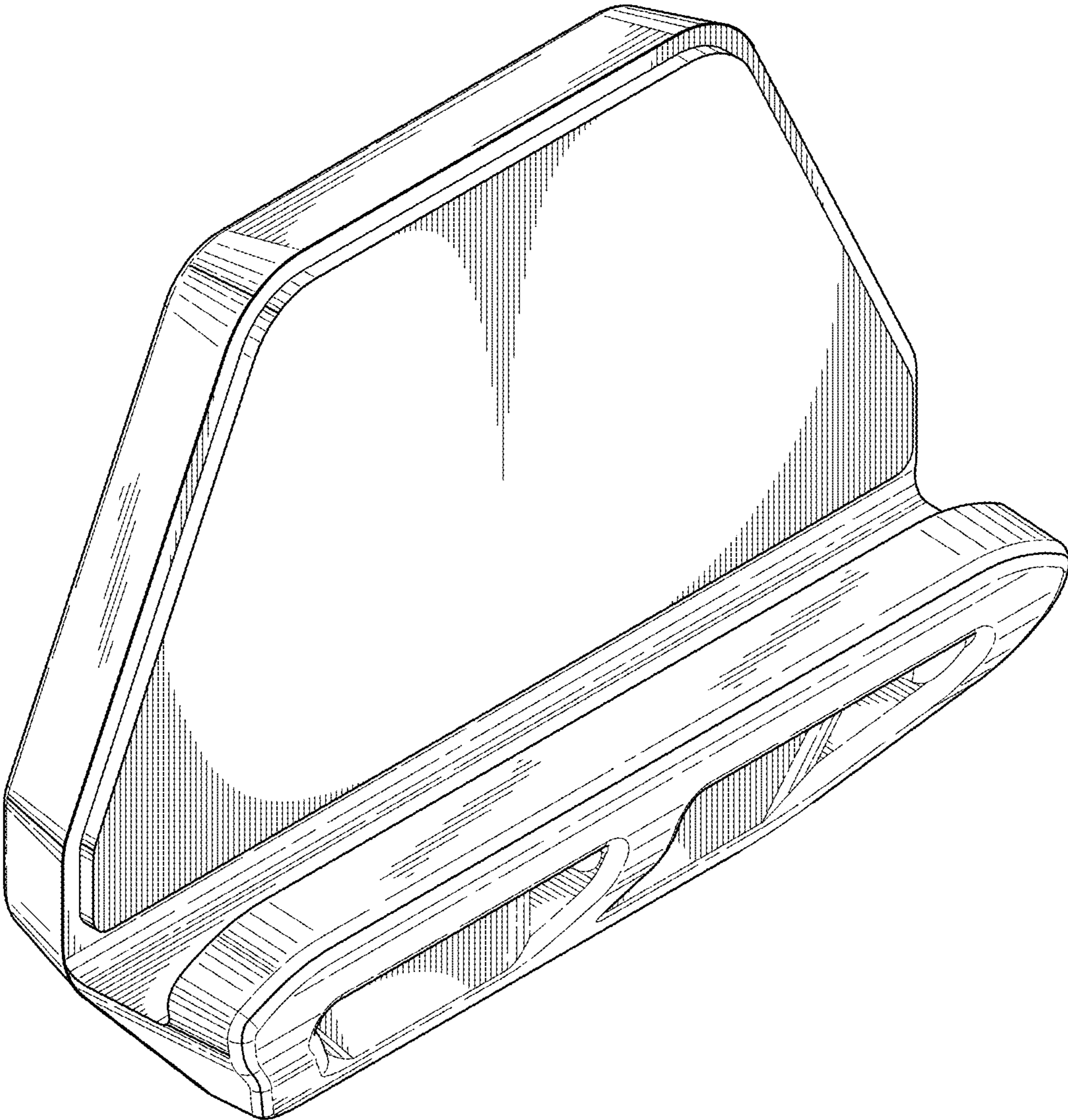


Fig. 1

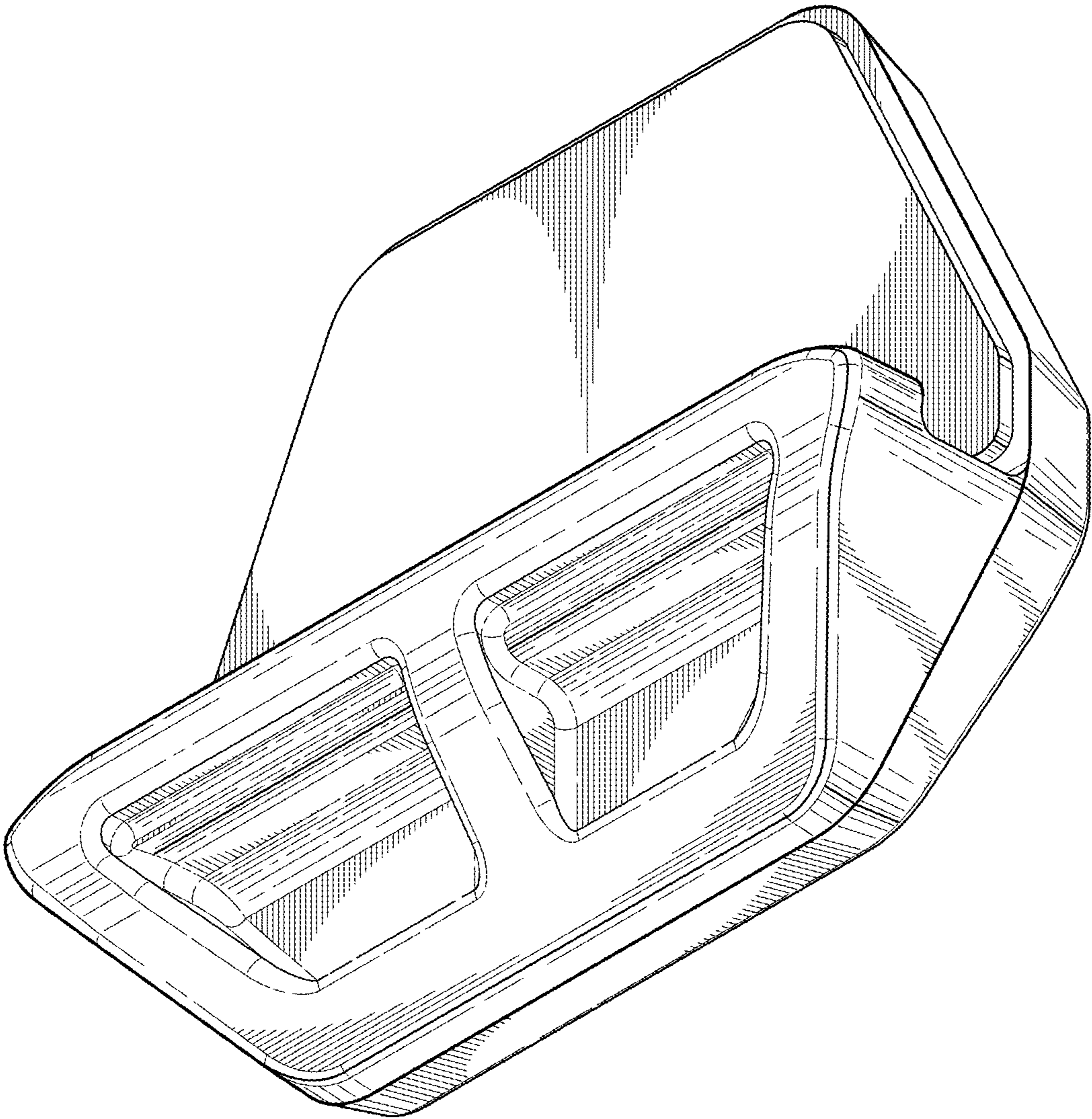


Fig. 2

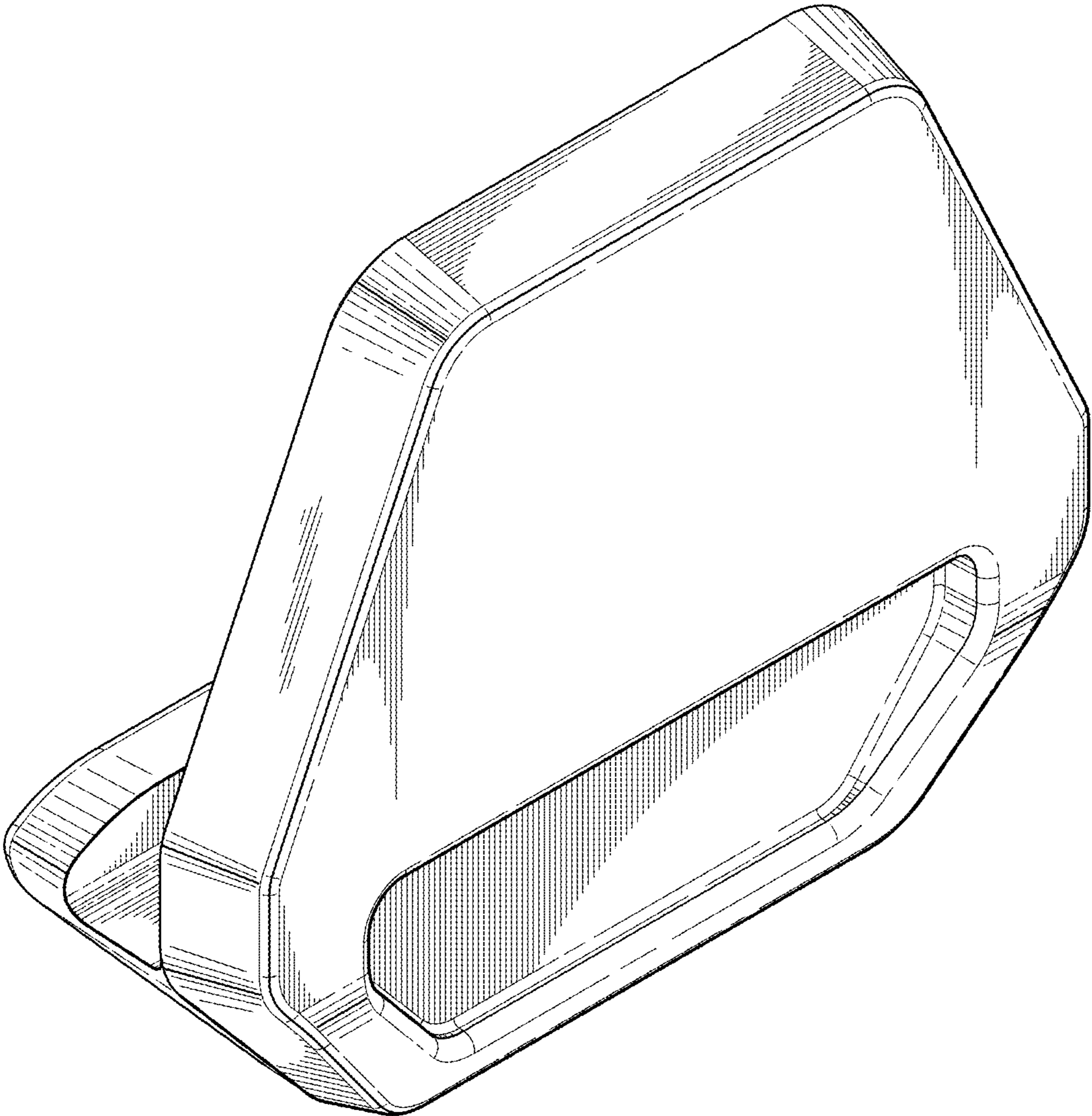


Fig. 3

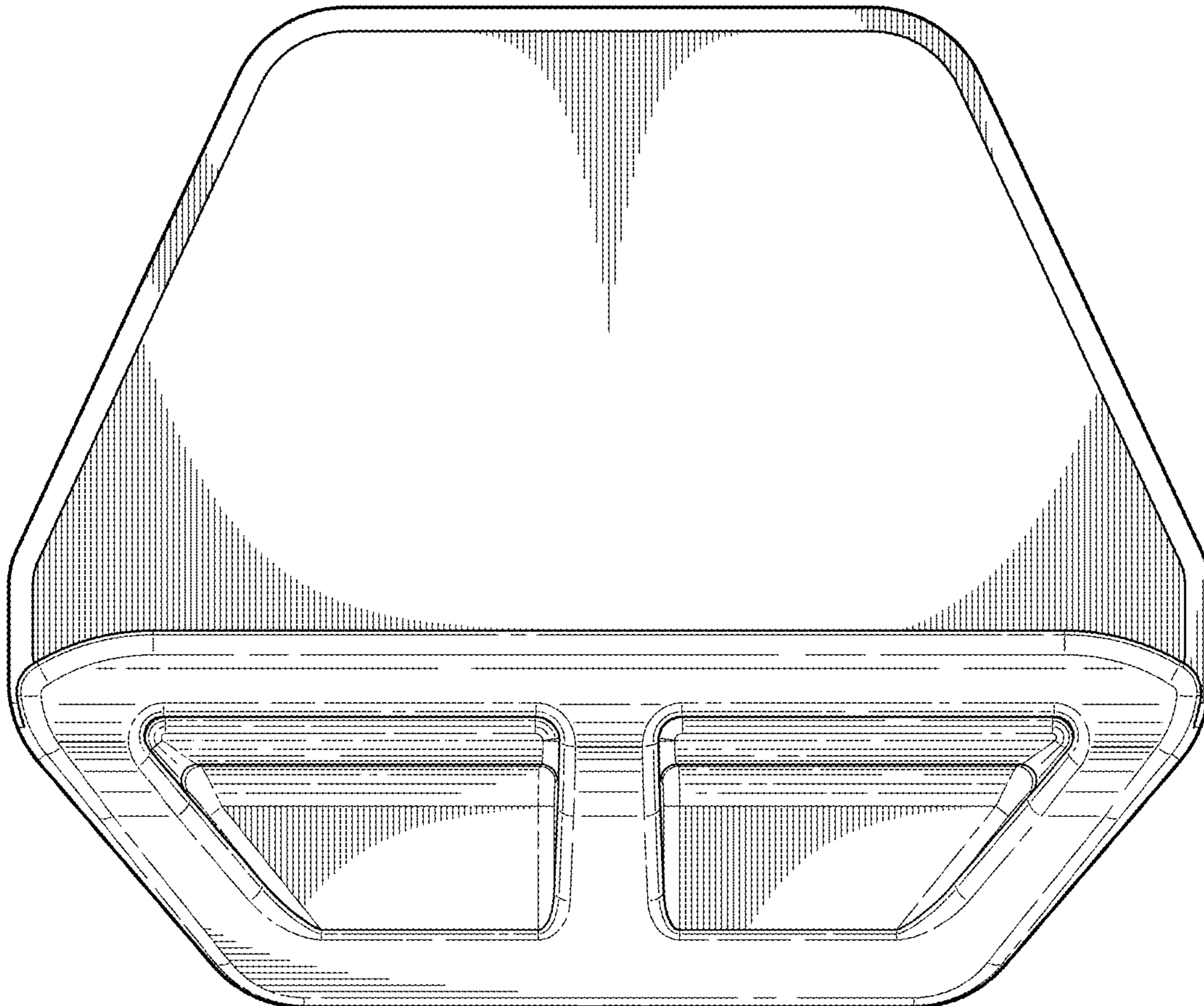


Fig. 4

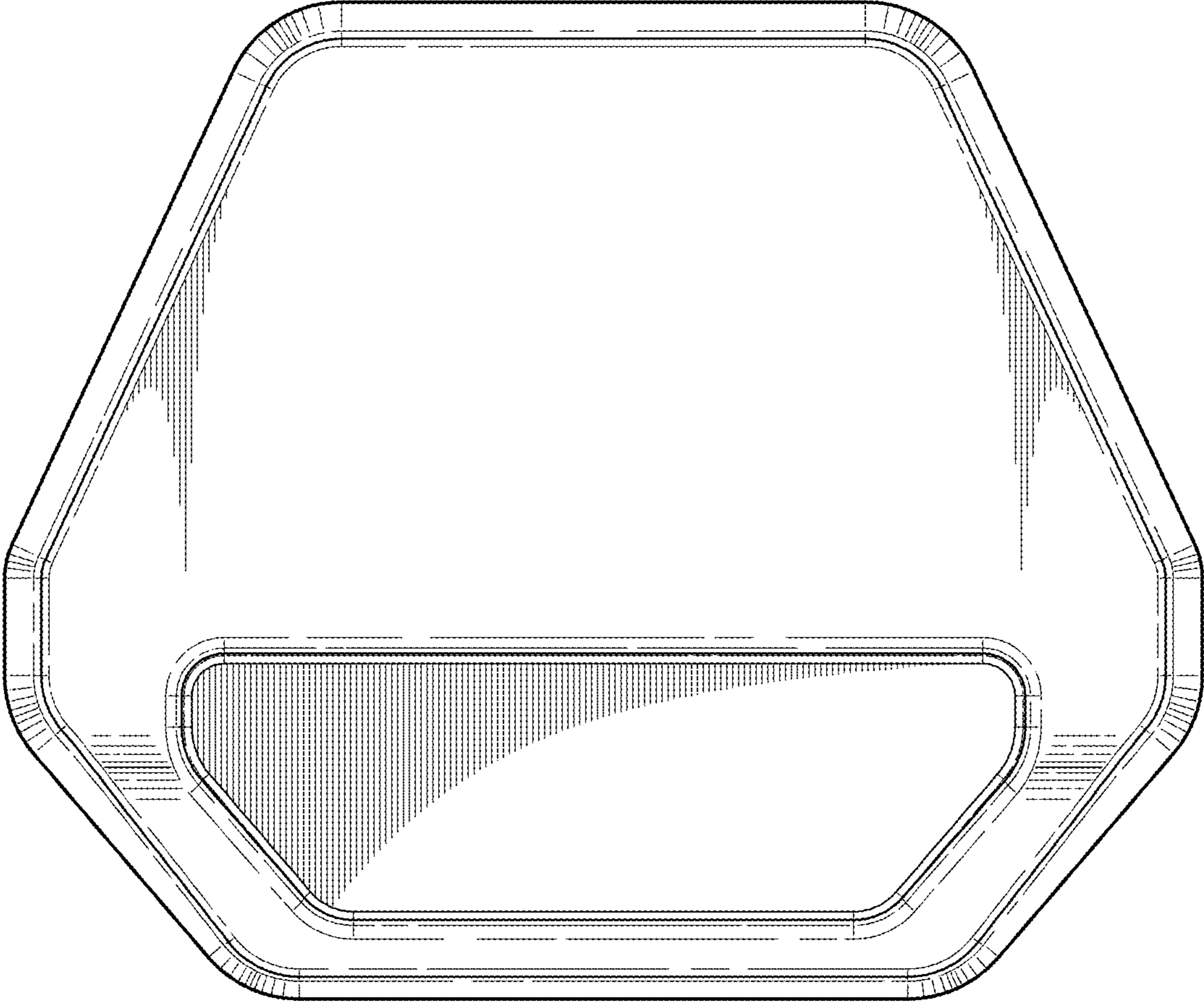


Fig. 5

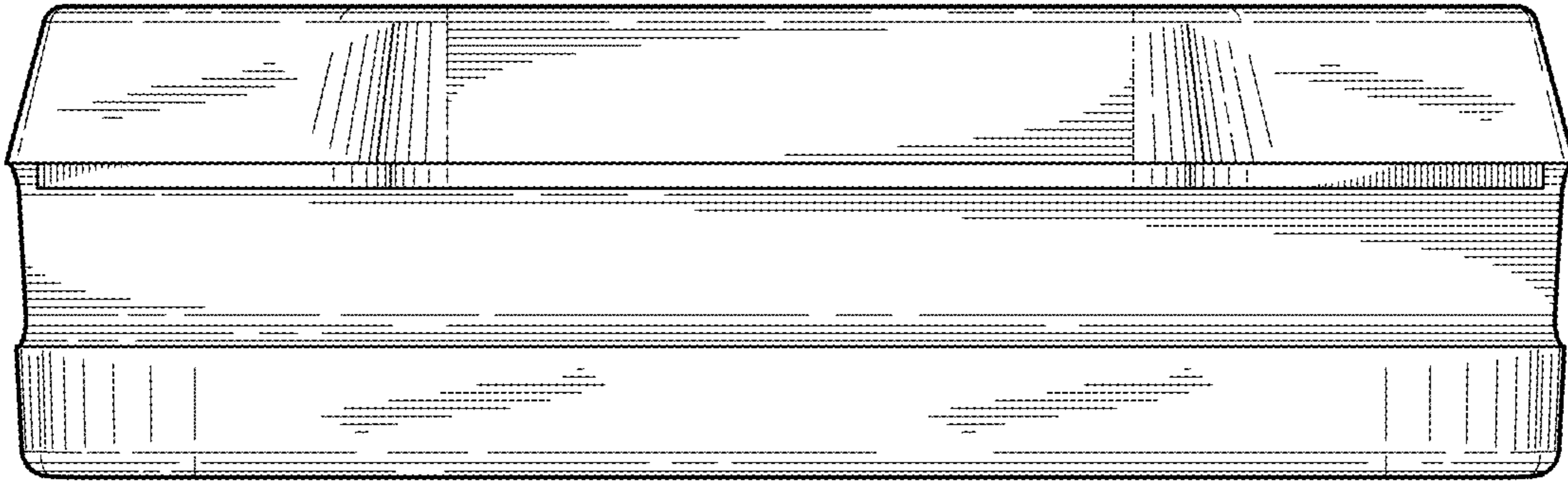


Fig. 6

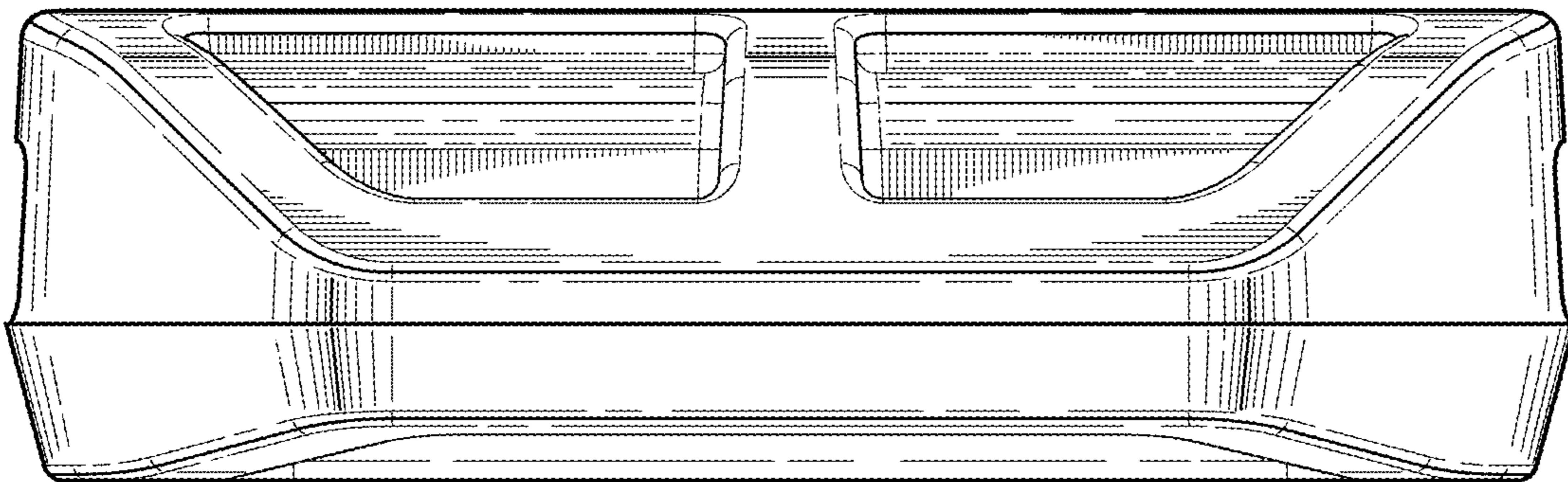


Fig. 7

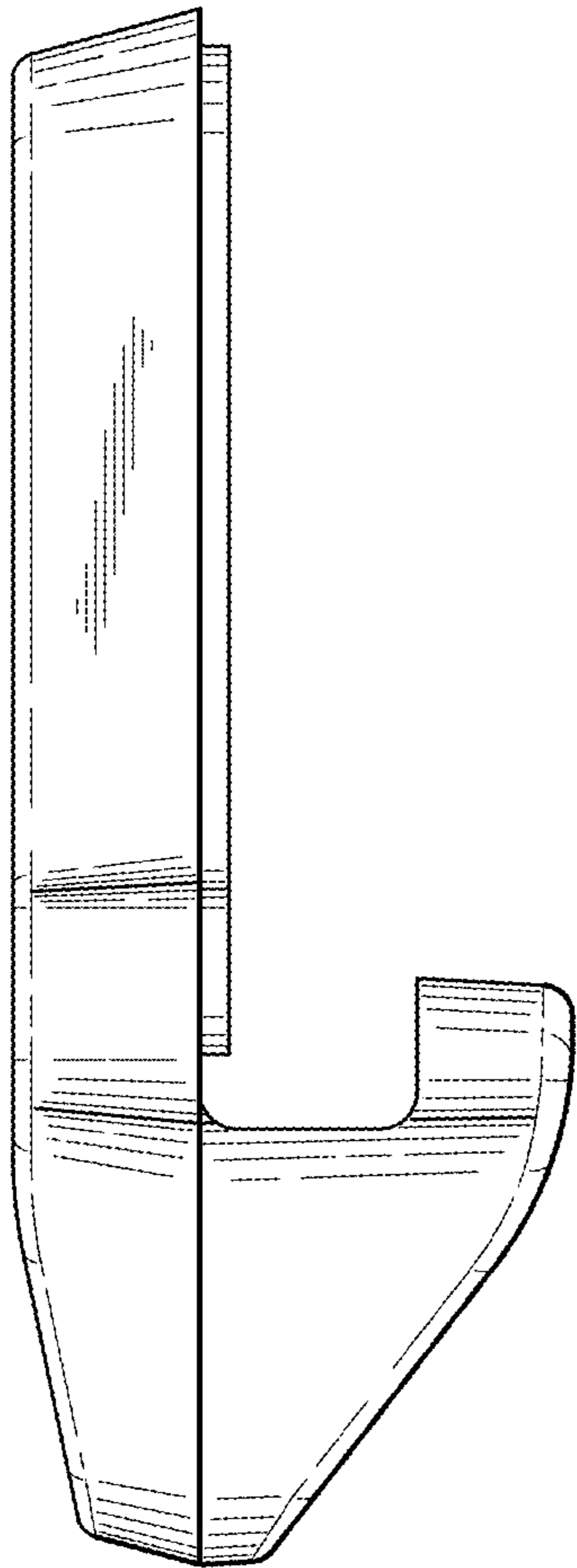


Fig. 8

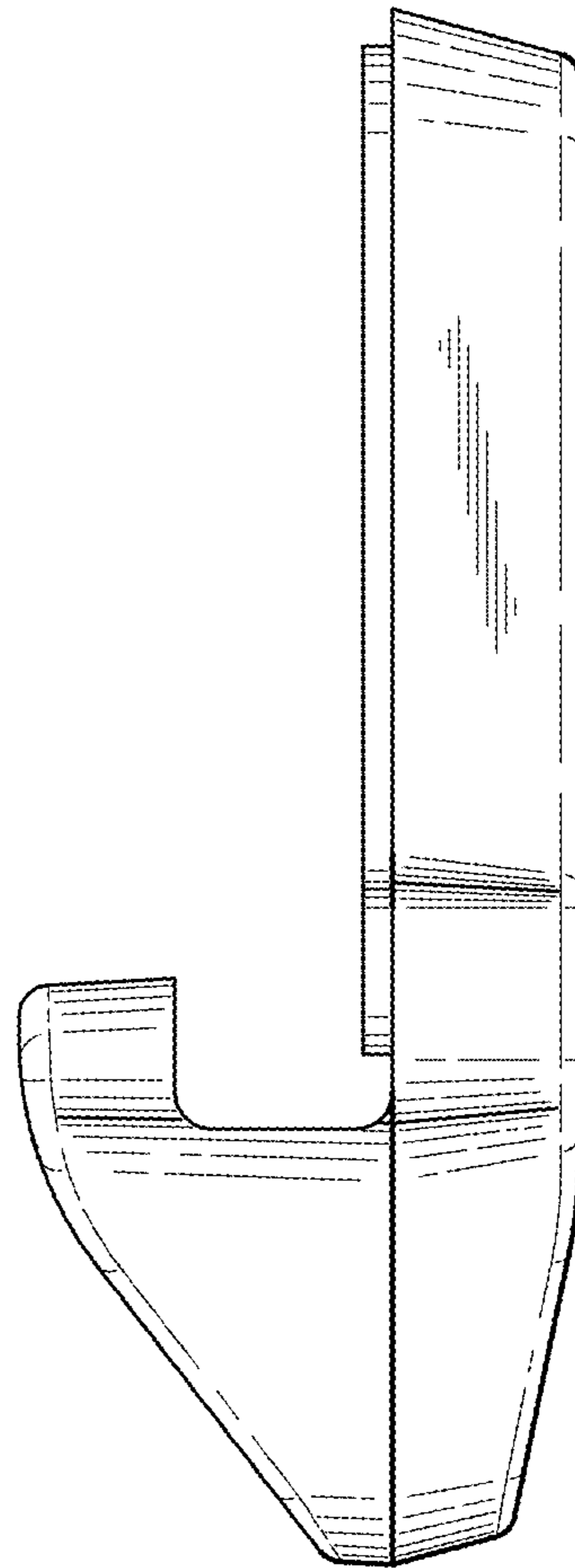


Fig. 9