



US00D907538S

(12) **United States Design Patent** (10) **Patent No.:** **US D907,538 S**
Gittin, Jr. et al. (45) **Date of Patent:** **** Jan. 12, 2021**

- (54) **GRILLE FOR A TRUCK**
- (71) Applicant: **Vaughn Gittin, Jr.**, Huntersville, NC (US)
- (72) Inventors: **Vaughn Gittin, Jr.**, Huntersville, NC (US); **Lindsay Ross**, Charlotte, NC (US); **Keith Charvonja**, Charlotte, NC (US)
- (73) Assignee: **Vaughn Gitten, Jr.**, Huntersville, TN (US)
- (**) Term: **15 Years**
- (21) Appl. No.: **29/695,177**
- (22) Filed: **Jun. 17, 2019**
- (51) **LOC (13) Cl.** **12-16**
- (52) **U.S. Cl.**
USPC **D12/163**
- (58) **Field of Classification Search**
USPC D12/163, 164, 190, 195, 196, 414
CPC B60R 9/06; B62D 35/02; B62D 39/00;
B62D 65/16; B62D 21/12; B29C 45/16
See application file for complete search history.

- (56) **References Cited**
- U.S. PATENT DOCUMENTS
- 4,500,063 A * 2/1985 Schmidt B60R 1/06
248/314
- D319,996 S * 9/1991 Thompson D12/100
- D343,819 S * 2/1994 Meryman D12/181
- D384,317 S * 9/1997 Jahnke D12/181
- 5,826,672 A * 10/1998 Holter B62D 25/10
180/69.21
- D414,150 S * 9/1999 Sutton D12/181
- 5,947,520 A * 9/1999 McHorse B62D 35/001
280/154
- 6,286,964 B1 * 9/2001 Litmer B60R 1/06
150/154

- 6,454,035 B1 * 9/2002 Waskow B62D 33/067
180/69.21
- 6,682,130 B2 * 1/2004 Lustig B62D 25/10
296/146.12
- D504,850 S * 5/2005 Gunter D12/169
- D532,352 S * 11/2006 Angelo D12/184
- D532,727 S * 11/2006 Schiavone D12/169
- 7,185,920 B2 * 3/2007 Drummond B62D 25/168
280/770

(Continued)

OTHER PUBLICATIONS

Stage 3 Motorsports, 2019 Ford Ranger Raptor Style Complete Grille Kit, www.stage3motorsports.com, prior to Jun. 17, 2019.

(Continued)

Primary Examiner — Susan Bennett Hattan
Assistant Examiner — Suzanne E Tisdell
(74) *Attorney, Agent, or Firm* — Blanchard & Associates

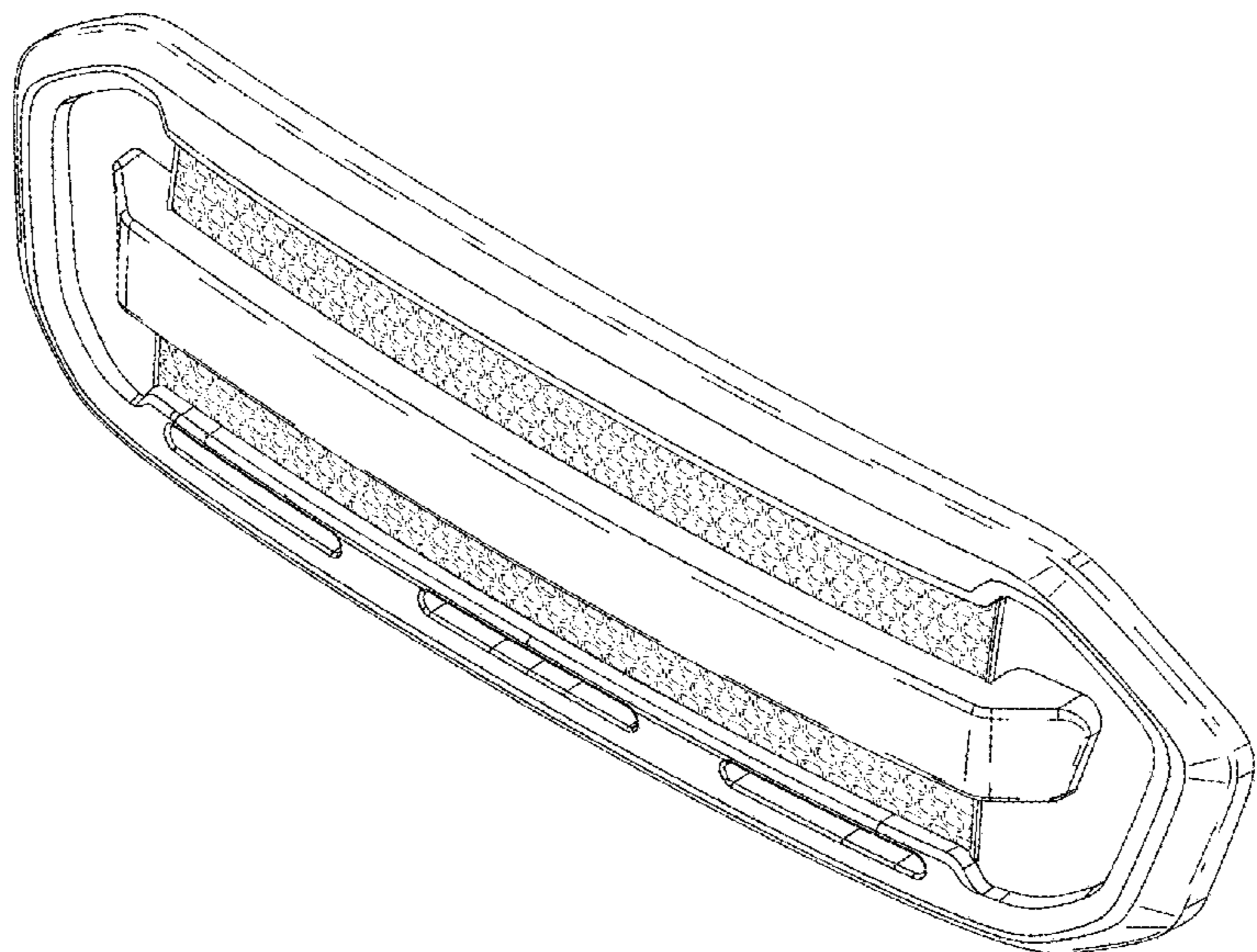
(57) **CLAIM**

The ornamental design for a grille for a truck, as shown and described.

DESCRIPTION

FIG. 1 is a perspective view of a grille for a truck represented in a lite truck showing my new design; FIG. 2 is a perspective view of the grille for a truck; FIG. 3 is a front elevation view thereof; FIG. 4 is a rear elevation view thereof; FIG. 5 is a top plan view thereof; FIG. 6 is a bottom plan view thereof; and, FIG. 7 is a left elevation view thereof, of which the right elevational view is a mirror image. Broken lines in FIG. 1 outside of the claimed grille showing the outline of a vehicle depict environmental subject matter that forms no part of the claimed design. Evenly-spaced broken lines within the grille depict portions of the grille for a truck that form no part of the claimed design.

1 Claim, 4 Drawing Sheets



(56)

References Cited

U.S. PATENT DOCUMENTS

7,195,307 B2 * 3/2007 Tucker B62D 25/10
16/225
7,207,172 B2 * 4/2007 Willix B62D 25/10
60/274
7,240,753 B2 * 7/2007 Ellerman B62D 25/16
180/69.2
D557,191 S * 12/2007 Curtis, Jr. D12/196
D560,582 S * 1/2008 Simons D12/196
D575,694 S * 8/2008 Opfer D12/169
D575,696 S * 8/2008 Gale D12/169
D617,242 S * 6/2010 Lackore D12/190
D627,687 S * 11/2010 Lewis D12/96
D654,417 S * 2/2012 Peltola D12/196
8,226,158 B1 * 7/2012 Jackson B62D 25/168
296/198
D666,541 S * 9/2012 Stimel, Jr. D12/181
D673,489 S * 1/2013 Hanson D12/196
D677,196 S * 3/2013 Salaverry D12/93
8,469,443 B2 * 6/2013 Case B60J 9/02
296/190.11
D707,608 S * 6/2014 Smith D12/196
D709,421 S * 7/2014 Conway D12/196
D709,424 S * 7/2014 Conway D12/196
D709,425 S * 7/2014 Conway D12/196
8,800,703 B2 * 8/2014 Miller B62D 25/10
180/69.21
8,905,445 B2 * 12/2014 Critchley B62D 25/10
293/149
9,221,398 B1 * 12/2015 Englander B60R 1/06

9,233,722 B1 * 1/2016 Bixby B60R 3/00
9,308,944 B2 * 4/2016 Hanson B62D 25/168
D760,126 S * 6/2016 Doyle D12/169
D770,350 S * 11/2016 Lindsey D12/196
D780,081 S * 2/2017 Lee D12/196
D782,381 S * 3/2017 Conway D12/196
D785,521 S * 5/2017 Smith D12/181
D787,739 S 5/2017 Gittin, Jr.
9,643,658 B2 * 5/2017 Jaynes B62D 25/168
D789,856 S * 6/2017 Wolff D12/196
D805,981 S * 12/2017 Conway D12/196
D812,535 S * 3/2018 Milton D12/181
D826,816 S * 8/2018 Lokers D12/196
D864,048 S 10/2019 Gittin, Jr.

OTHER PUBLICATIONS

Motor 1 News, Is this the 2019 Ford Ranger's New Grille, www.motor1.com/news/186097/2019-ford-ranger-grille-previewed, prior to Jun. 17, 2019.
Ebay, Ranger 2019 2020 Grille Black Matt, <https://www.ebay.com/itm/Ranger-2019-2020-Grille-Black-Matt-/25435>, prior to Jun. 17, 2019.
OEM Autoart, 2019 Ford Ranger Custom Painted XLT/STX Grille, <https://oemautoart.com/collections/2019-ford-ranger-exterior-all/products/2019-ford-rang>, prior to Jun. 17, 2019.
Ford, What are the 2019 Ford Ranger Trim Differences?, <https://www.hopkinsfordelgin.com/research/ford-ranger-trims.htm>, prior to Jun. 17, 2019.

* cited by examiner

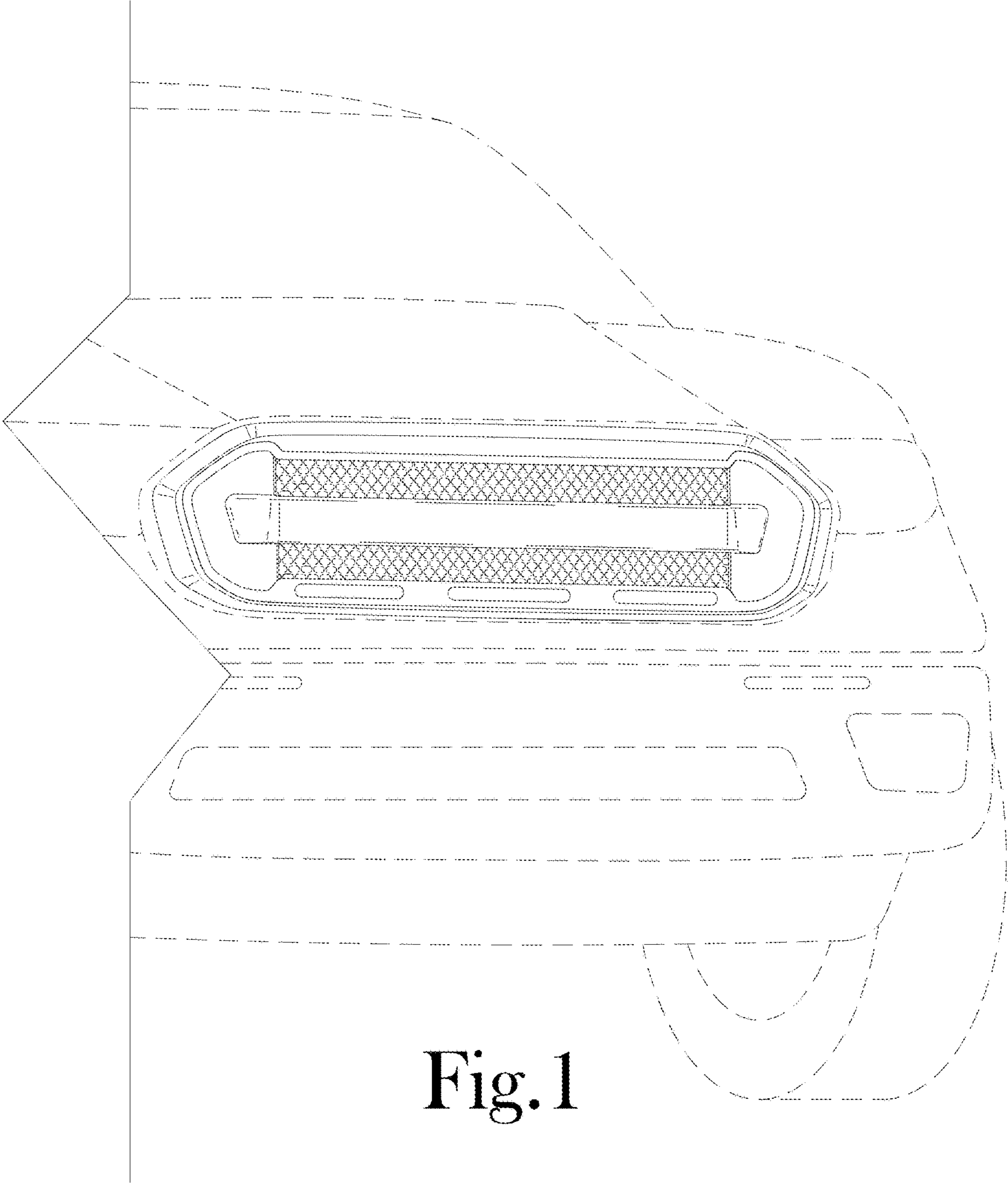


Fig. 1

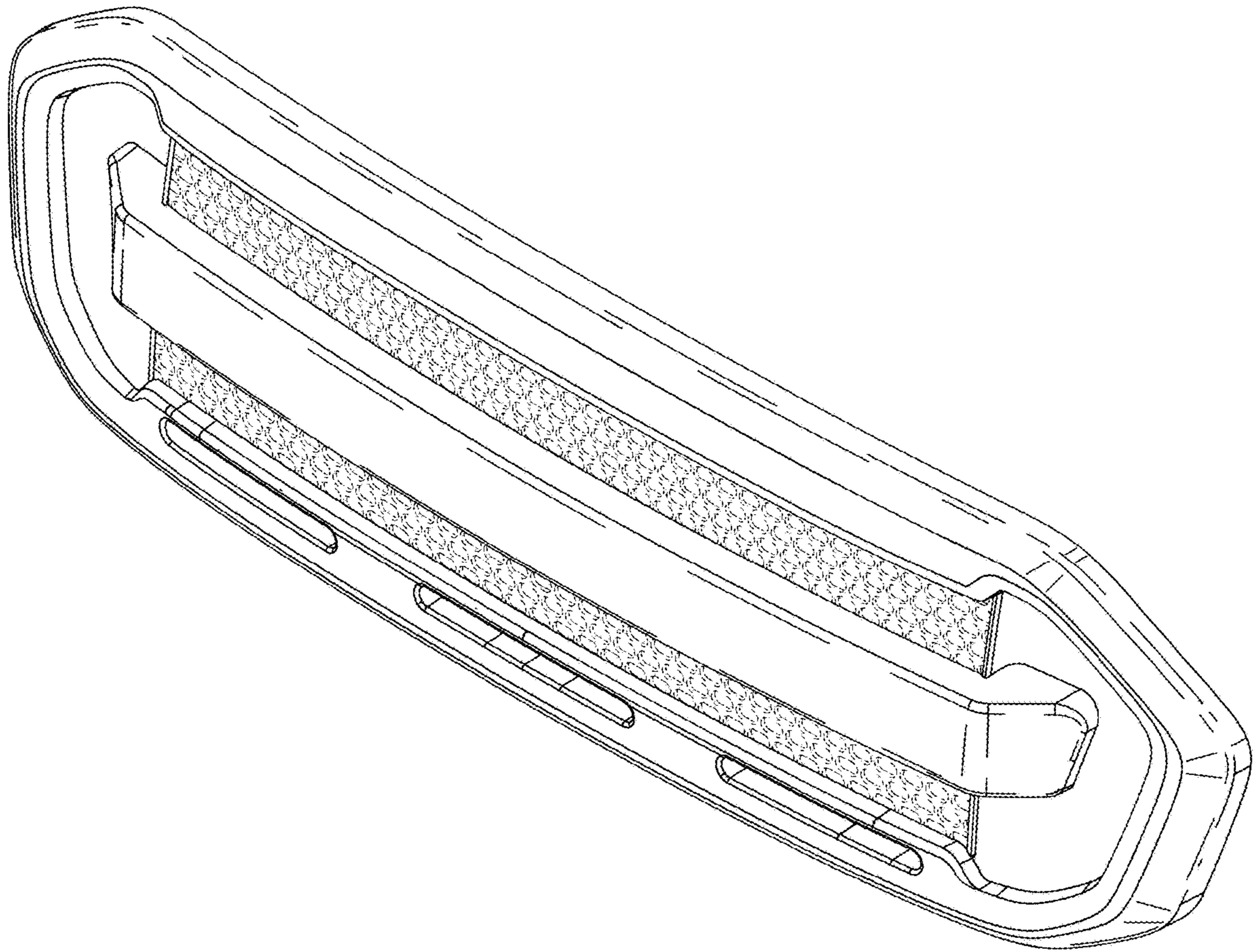


Fig. 2

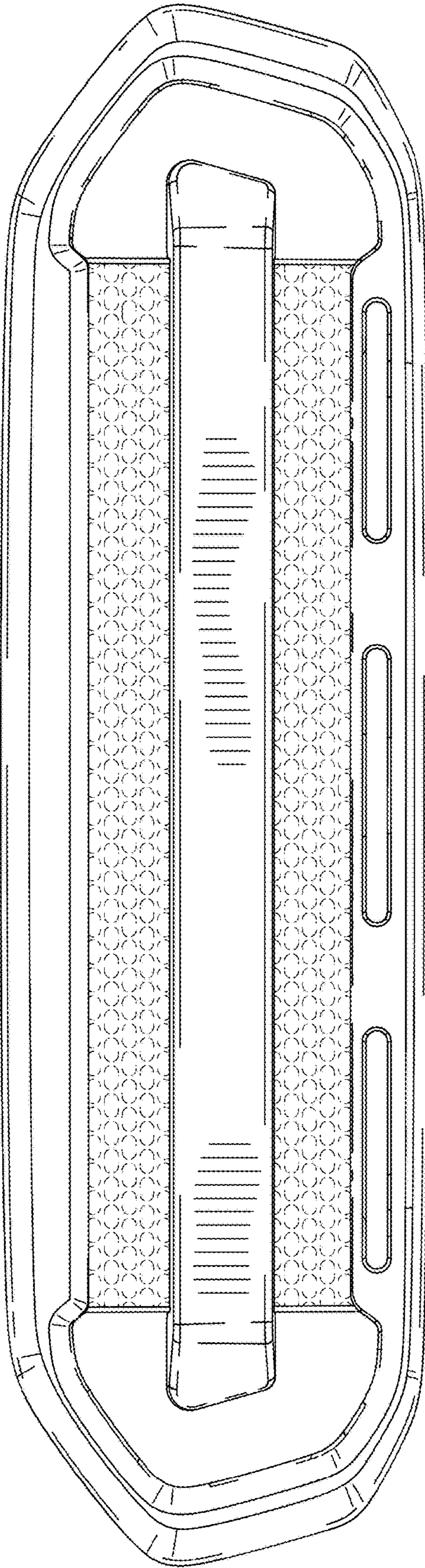


Fig. 3

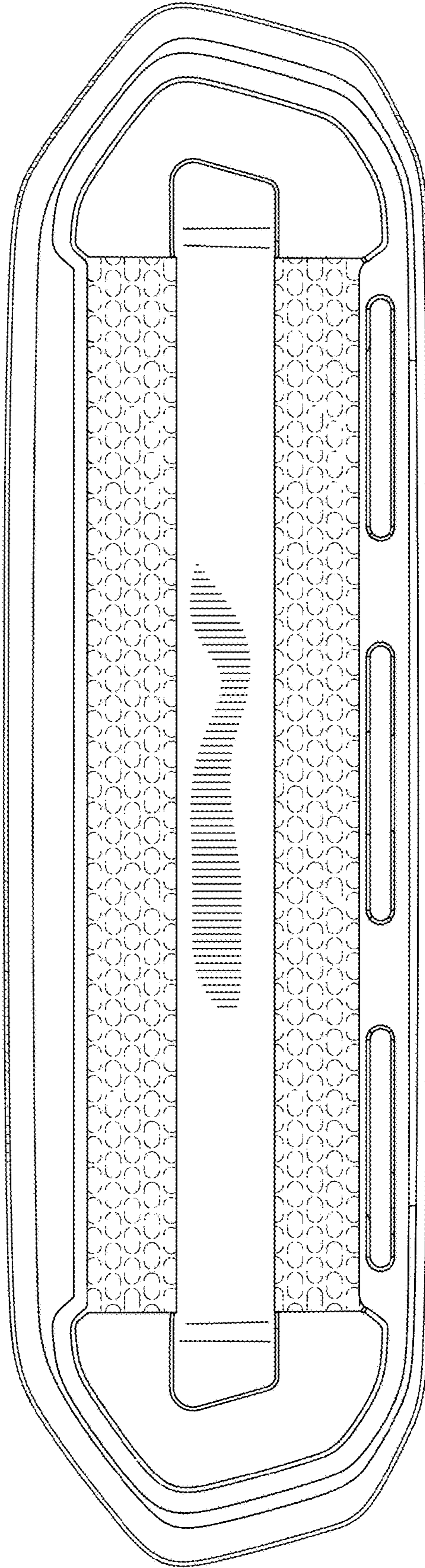


Fig. 4

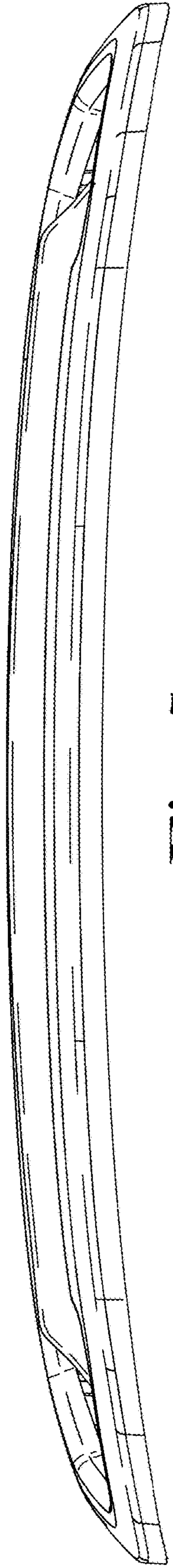


Fig. 5

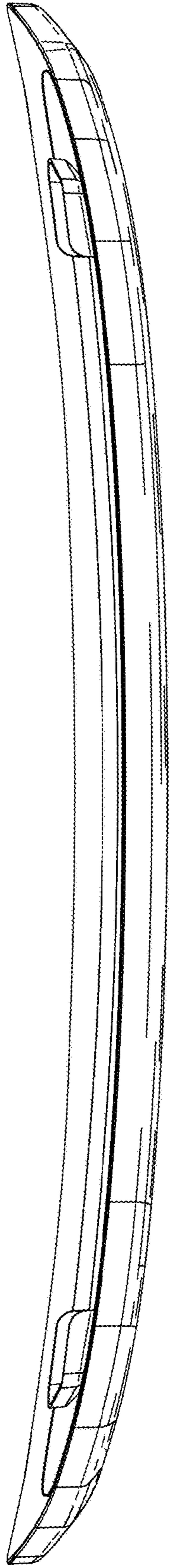


Fig. 6

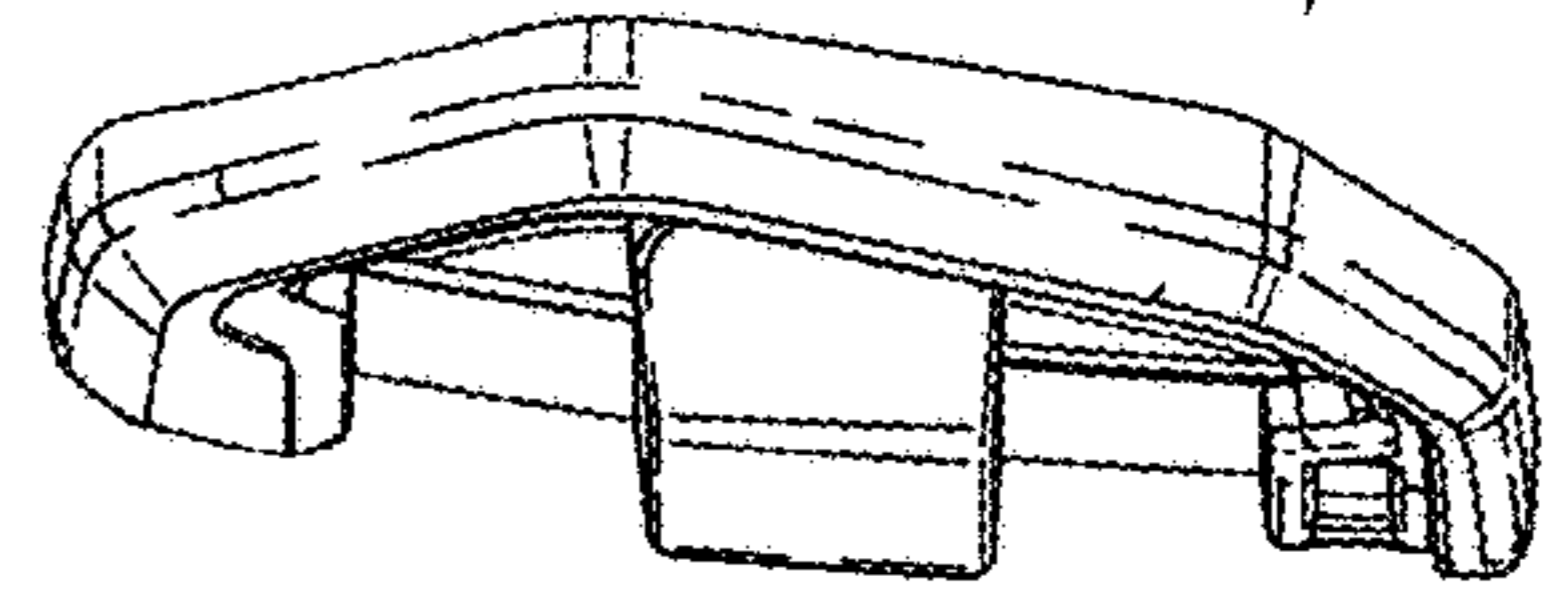


Fig. 7