



US00D907537S

(12) **United States Design Patent** (10) **Patent No.:** **US D907,537 S**
Goodner (45) **Date of Patent:** **** Jan. 12, 2021**

(54) **BALL MOUNT WITH MOUNT FOR CLEVIS ANCHOR**

D662,863 S 7/2012 Scruggs et al.
D680,471 S 4/2013 Scruggs et al.
D686,954 S 7/2013 Scruggs et al.
8,534,695 B2 9/2013 Columbia
D697,838 S 1/2014 Borkholder
8,840,130 B2 9/2014 Columbia
8,899,608 B2 12/2014 DeLisio
8,979,112 B2* 3/2015 Weipert B60D 1/07
280/491.5

(71) Applicant: **Derek Goodner**, Littleton, CO (US)

(72) Inventor: **Derek Goodner**, Littleton, CO (US)

(**) Term: **15 Years**

(Continued)

(21) Appl. No.: **29/728,236**

(22) Filed: **Mar. 17, 2020**

Related U.S. Application Data

(62) Division of application No. 29/621,930, filed on Oct. 12, 2017, now Pat. No. Des. 880,376.

(51) **LOC (13) Cl.** **12-16**

(52) **U.S. Cl.**
USPC **D12/162**

(58) **Field of Classification Search**
USPC D12/159-162
CPC . B60D 1/60; B60D 1/065; B60D 1/00; B60D
1/06; B60D 1/36

See application file for complete search history.

(56) **References Cited**

U.S. PATENT DOCUMENTS

2,827,307 A	3/1958	Osborn	
3,951,434 A	4/1976	Sause	
4,379,569 A	4/1983	Koch	
4,568,098 A	2/1986	Landry, Jr.	
5,350,186 A	9/1994	Hull et al.	
D386,382 S	12/1997	Williams	
D388,384 S	12/1997	Williams	
D404,347 S	1/1999	Dillon	
6,158,760 A	12/2000	Kiss	
6,789,815 B2*	9/2004	Moss	B60D 1/06 280/416.1
D512,349 S	12/2005	Stubblefield	
7,559,568 B2	7/2009	Planz	
7,673,894 B2	3/2010	Bender	

OTHER PUBLICATIONS

Co-owned U.S. Appl. No. 29/621,930, filed Oct. 12, 2017.

Primary Examiner — Katrina A Betton

(74) *Attorney, Agent, or Firm* — Trenner Law Firm, LLC;
Mark D. Trenner

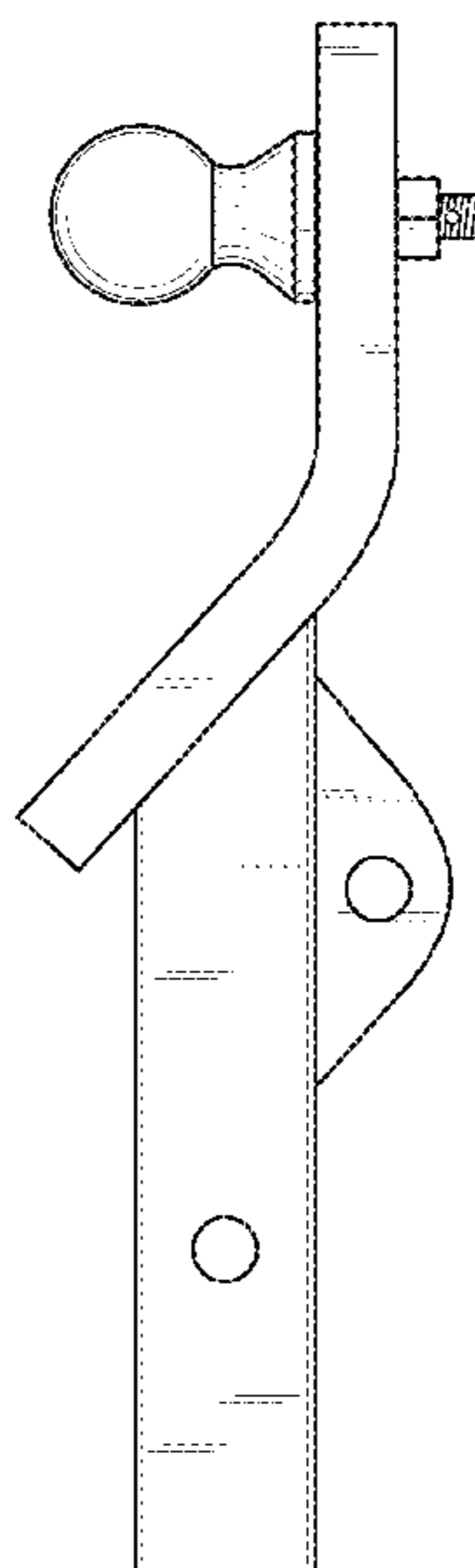
(57) **CLAIM**

The ornamental design for a ball mount with mount for clevis anchor, as shown in the attached drawings.

DESCRIPTION

FIG. 1 is a top perspective view of the ball mount with mount for clevis anchor design;
FIG. 2 is a bottom perspective view of the ball mount with mount for clevis anchor design;
FIG. 3 is a left side view of the design corresponding to FIG. 1;
FIG. 4 is a top view of the design corresponding to FIG. 1;
FIG. 5 is a right side view of the design corresponding to FIG. 1;
FIG. 6 is a bottom view of the design corresponding to FIG. 1;
FIG. 7 is a back view of the design corresponding to FIG. 1;
and,
FIG. 8 is a front view of the design corresponding to FIG. 1.

1 Claim, 7 Drawing Sheets



(56)

References Cited

U.S. PATENT DOCUMENTS

D729,703	S *	5/2015	Song	D12/162
9,308,789	B2 *	4/2016	Bernart	B60D 1/06
D834,464	S *	11/2018	Cincunegui	D12/162
D841,526	S *	2/2019	Siegel	D12/162
D854,971	S *	7/2019	McCuskey	D12/162
D856,199	S *	8/2019	Siegel	D12/162
D857,563	S *	8/2019	Siegel	D12/162
D858,368	S *	9/2019	Siegel	D12/162
D880,376	S *	4/2020	Goodner	D12/162
2002/0140206	A1	10/2002	Lloyd	
2003/0052472	A1 *	3/2003	Moss	B60D 1/54 280/415.1
2006/0087101	A1	4/2006	Yon	
2010/0207360	A1	8/2010	Columbia	
2011/0193321	A1 *	8/2011	Breeden	B60D 1/52 280/511
2013/0093163	A1 *	4/2013	Bernart	B60D 1/52 280/511
2015/0197125	A1 *	7/2015	Kemper	B60D 1/46 280/446.1
2018/0079266	A1 *	3/2018	Cincunegui	B60D 1/06
2018/0281536	A1 *	10/2018	Harper	B60D 1/06

* cited by examiner

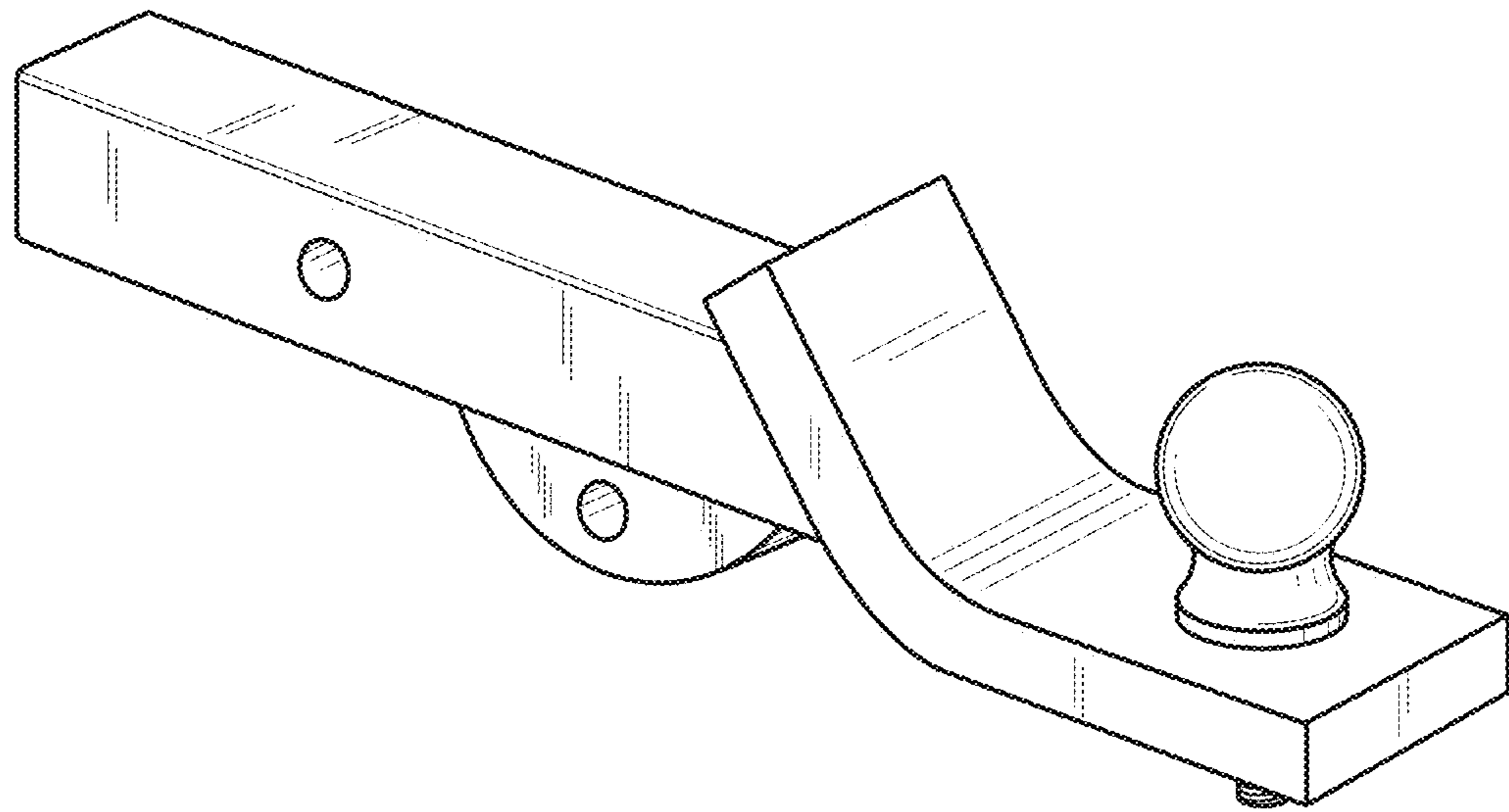


FIG. 1

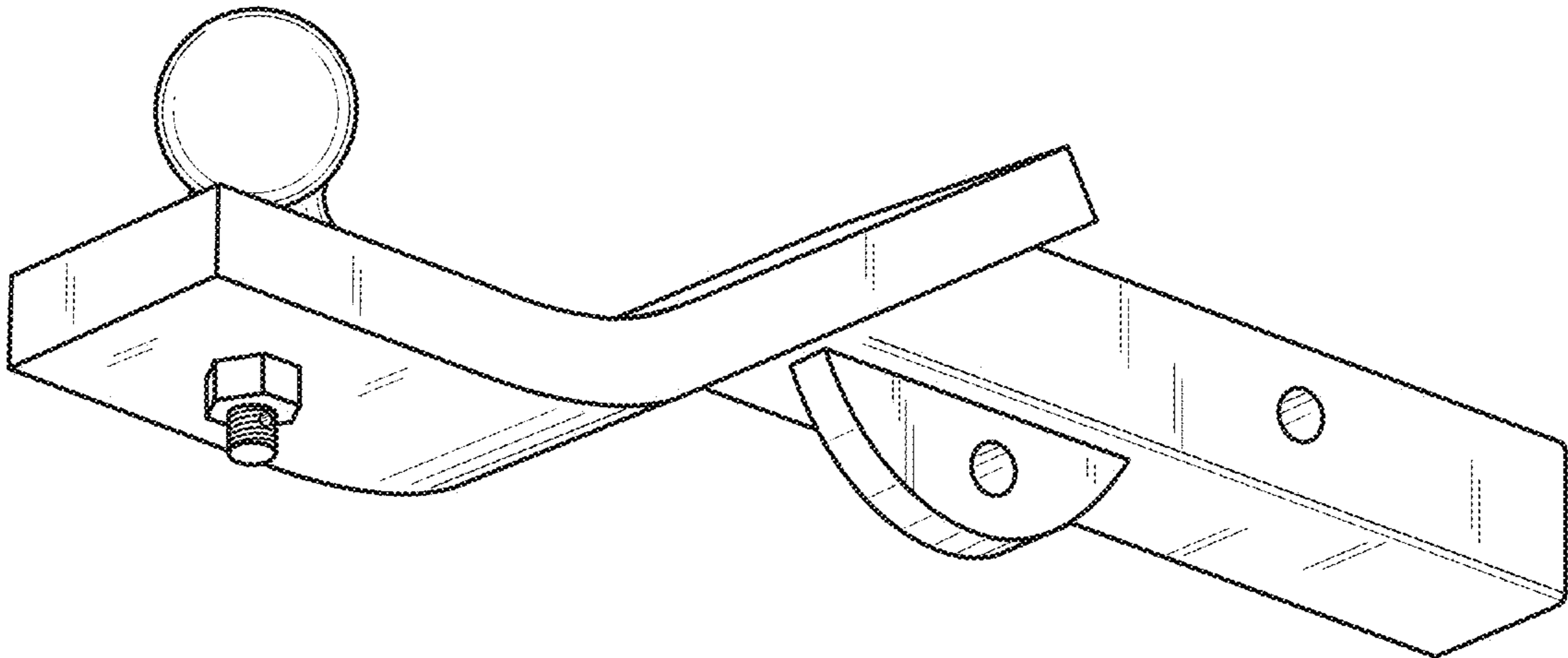


FIG. 2

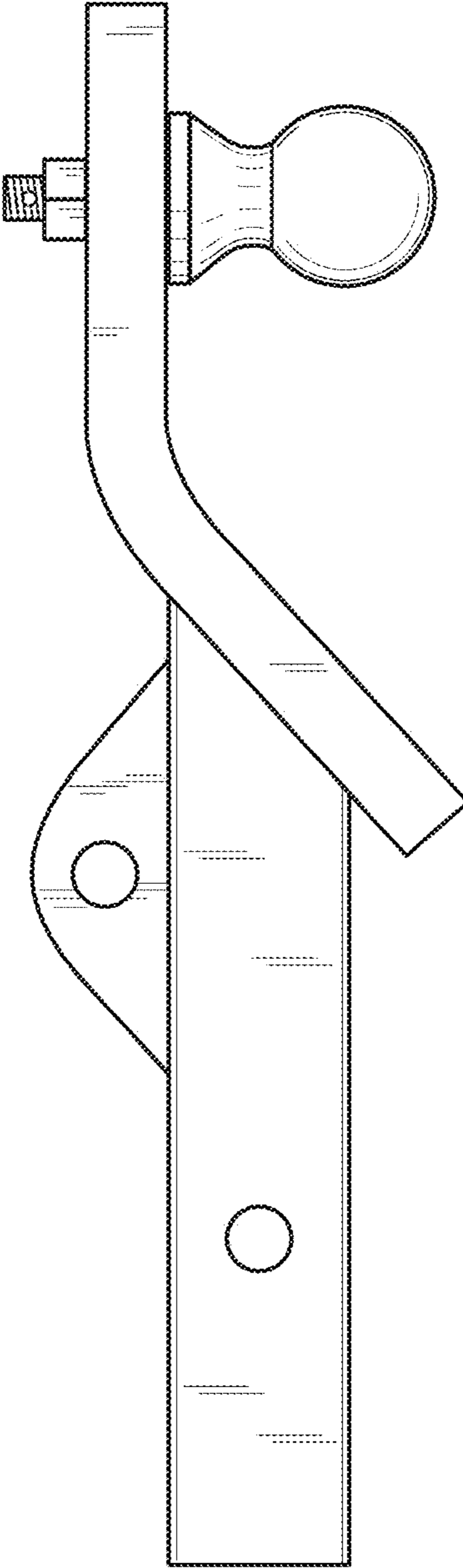


FIG. 3

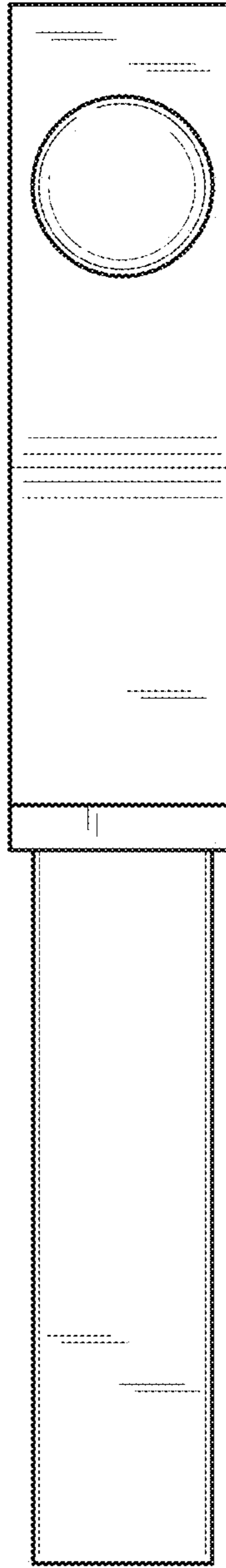


FIG. 4

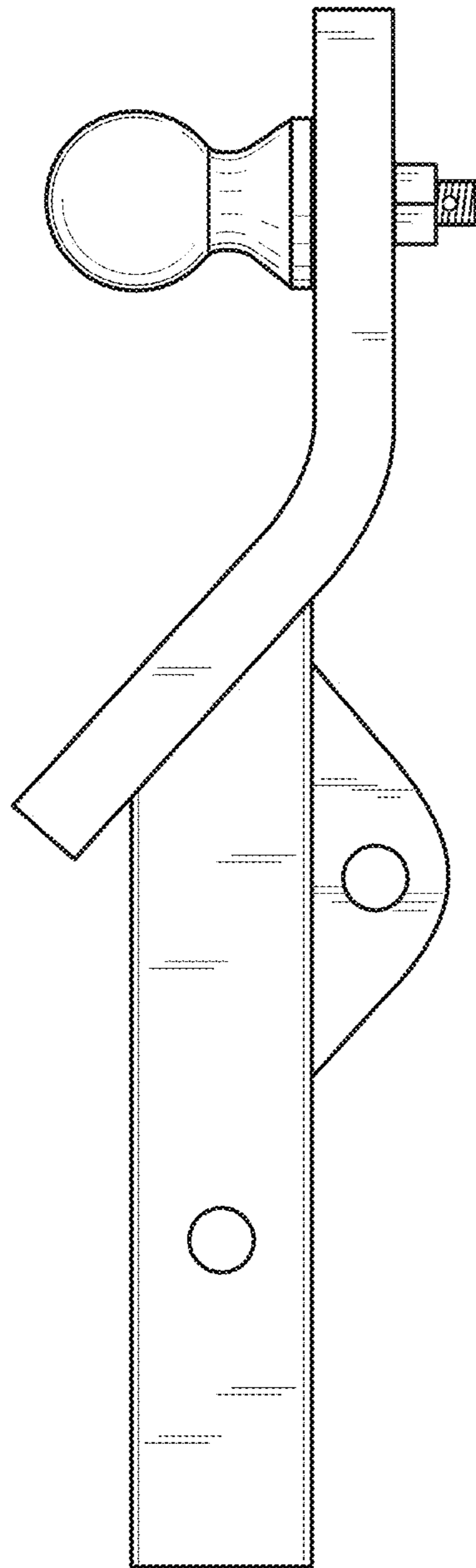


FIG. 5

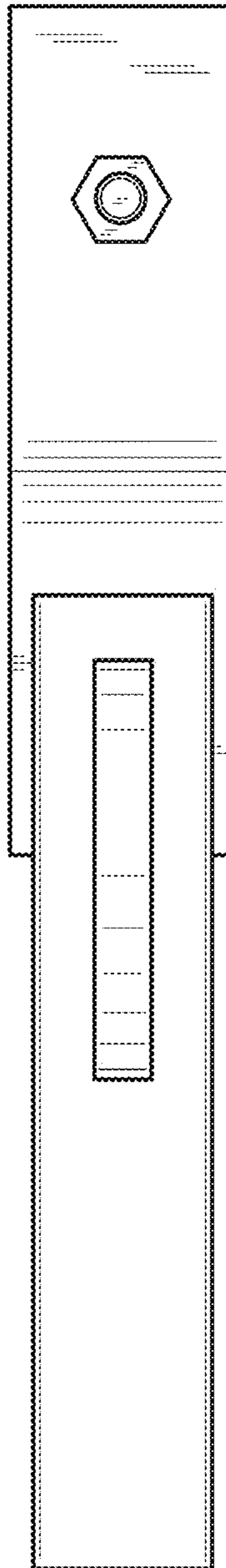


FIG. 6

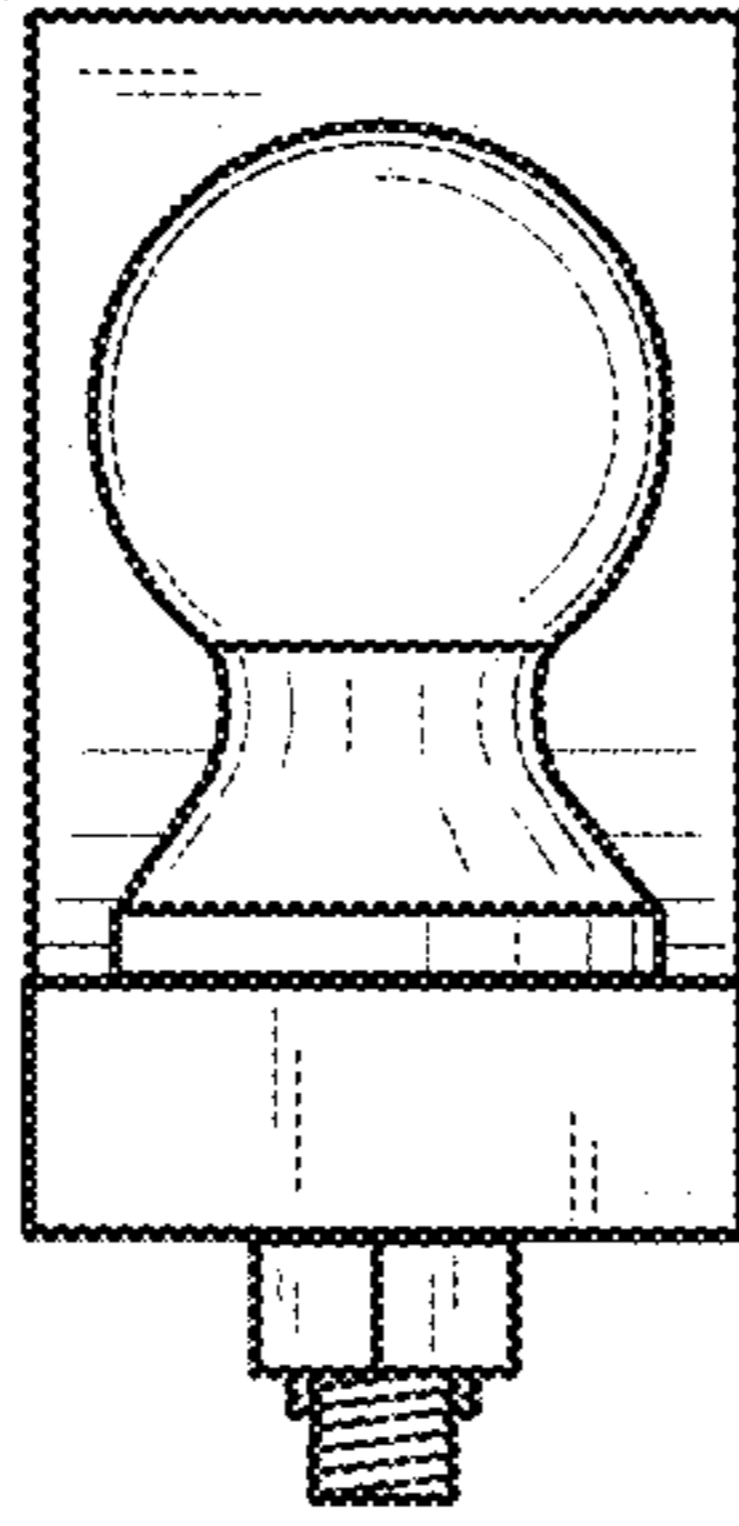


FIG. 7

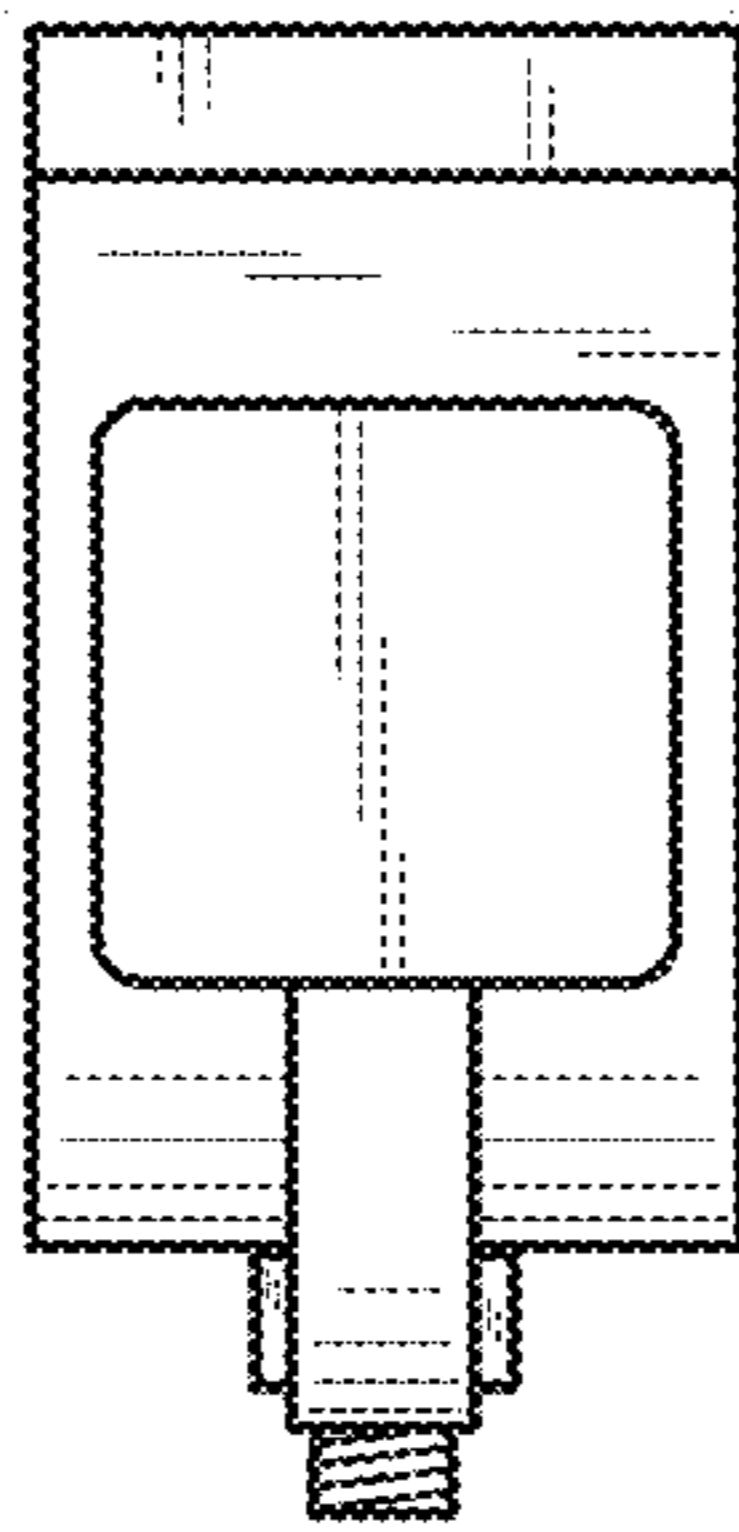


FIG. 8