



US00D907533S

(12) **United States Design Patent** (10) **Patent No.:** **US D907,533 S**  
**Dewitt et al.** (45) **Date of Patent:** **\*\* Jan. 12, 2021**

(54) **MOTOR VEHICLE, TOY VEHICLE REPLICA AND/OR OTHER REPLICA**

(71) Applicant: **Ford Global Technologies, LLC**, Dearborn, MI (US)

(72) Inventors: **David Dewitt**, Docklands (AU); **Todd Willing**, East Melbourne (AU); **Max Wolff**, Birmingham, MI (US); **Pedro Guarinon**, Melbourne (AU); **Mark Wright**, Nunawading (AU)

(73) Assignee: **Ford Global Technologies, LLC**, Dearborn, MI (US)

(\*\*) Term: **15 Years**

(21) Appl. No.: **29/717,472**

(22) Filed: **Dec. 17, 2019**

**Related U.S. Application Data**

(62) Division of application No. 29/634,999, filed on Jan. 26, 2018, now Pat. No. Des. 869,992.

(51) **LOC (13) Cl.** ..... **12-08**

(52) **U.S. Cl.**  
USPC ..... **D12/98**

(58) **Field of Classification Search**  
USPC ..... D12/86, 90-92, 88, 98; D21/424, 433, D21/434, 533; 296/181.1, 181.5, 181.3, 296/183.1, 37.6  
CPC ..... B60R 9/06; B62D 35/00  
See application file for complete search history.

(56) **References Cited**

**U.S. PATENT DOCUMENTS**

D703,586 S \* 4/2014 Platto ..... D12/98  
D718,190 S \* 11/2014 Platto ..... D12/98

D755,679 S \* 5/2016 Sato ..... D12/98  
D759,545 S \* 6/2016 Sato ..... D12/98  
D760,121 S \* 6/2016 Sato ..... D12/98  
D763,738 S \* 8/2016 Dewitt ..... D12/98  
D764,980 S \* 8/2016 Platto ..... D12/98  
D775,551 S \* 1/2017 Platto ..... D12/98  
D809,428 S \* 2/2018 Platto ..... D12/98  
D809,429 S \* 2/2018 Platto ..... D12/98  
D811,274 S \* 2/2018 Platto ..... D12/98  
D869,991 S \* 12/2019 Dewitt ..... D12/98  
D869,992 S \* 12/2019 Dewitt ..... D12/98

\* cited by examiner

*Primary Examiner* — Melody N Brown

(57) **CLAIM**

The ornamental design for a motor vehicle, toy vehicle replica and/or other replica, as shown and described.

**DESCRIPTION**

FIG. 1 is a front elevational view of a vehicle exterior motor vehicle, toy vehicle replica and/or other replica showing our new design;

FIG. 2 is a rear elevational view thereof;

FIG. 3 is a left side elevational view thereof;

FIG. 4 is a right side elevational view thereof;

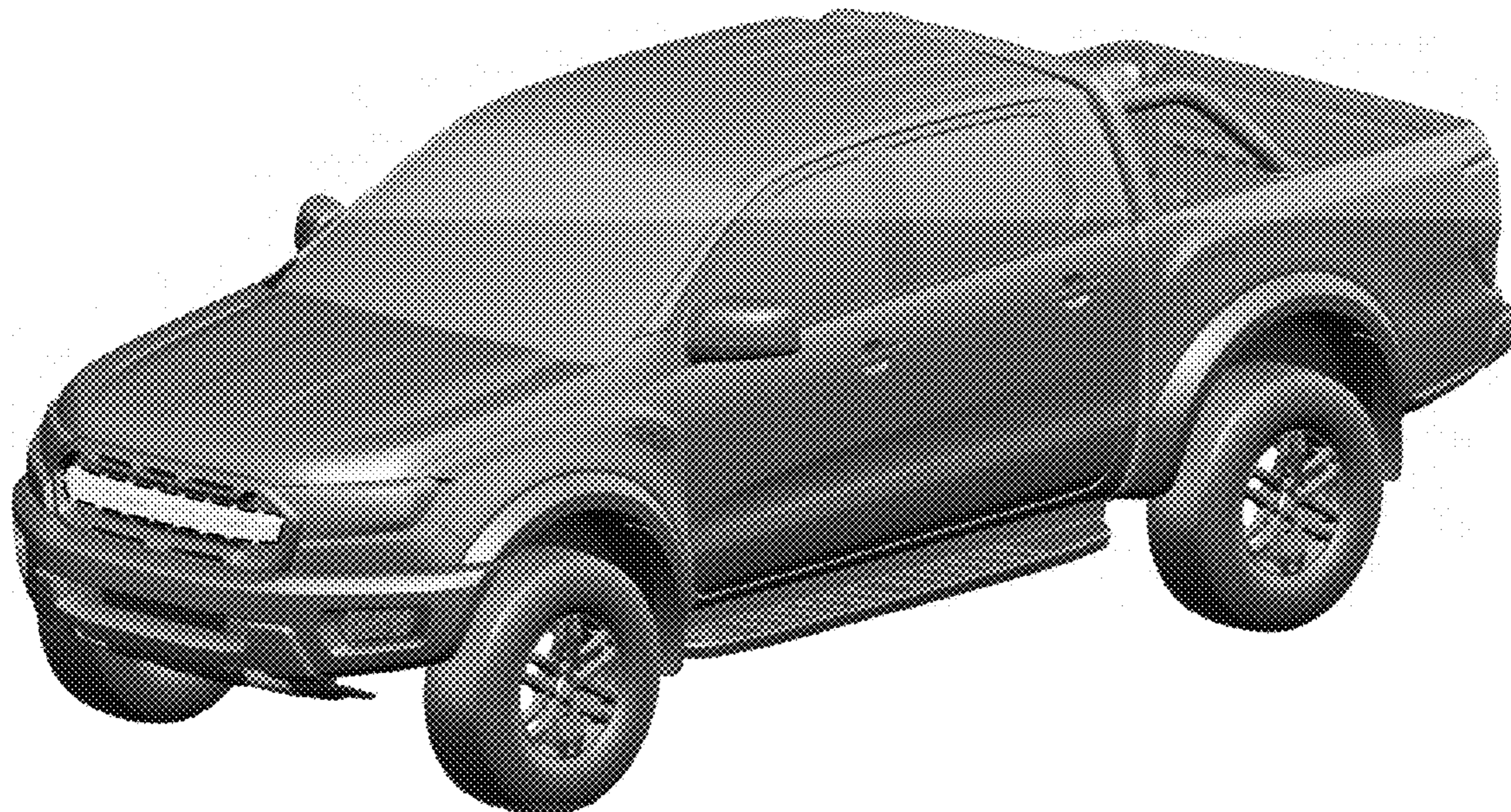
FIG. 5 is a top plan view thereof;

FIG. 6 is a top, front, and left side perspective view thereof; and,

FIG. 7 is a top, rear, and left side perspective view thereof.

The portions of the vehicle shown throughout the drawing views and deemphasized in half-tone portions outside the broken lines and the broken lines representing the boundary and configuration of what is claimed as the design are for environmental and illustrative purposes that form no part of the claimed design.

**1 Claim, 7 Drawing Sheets**



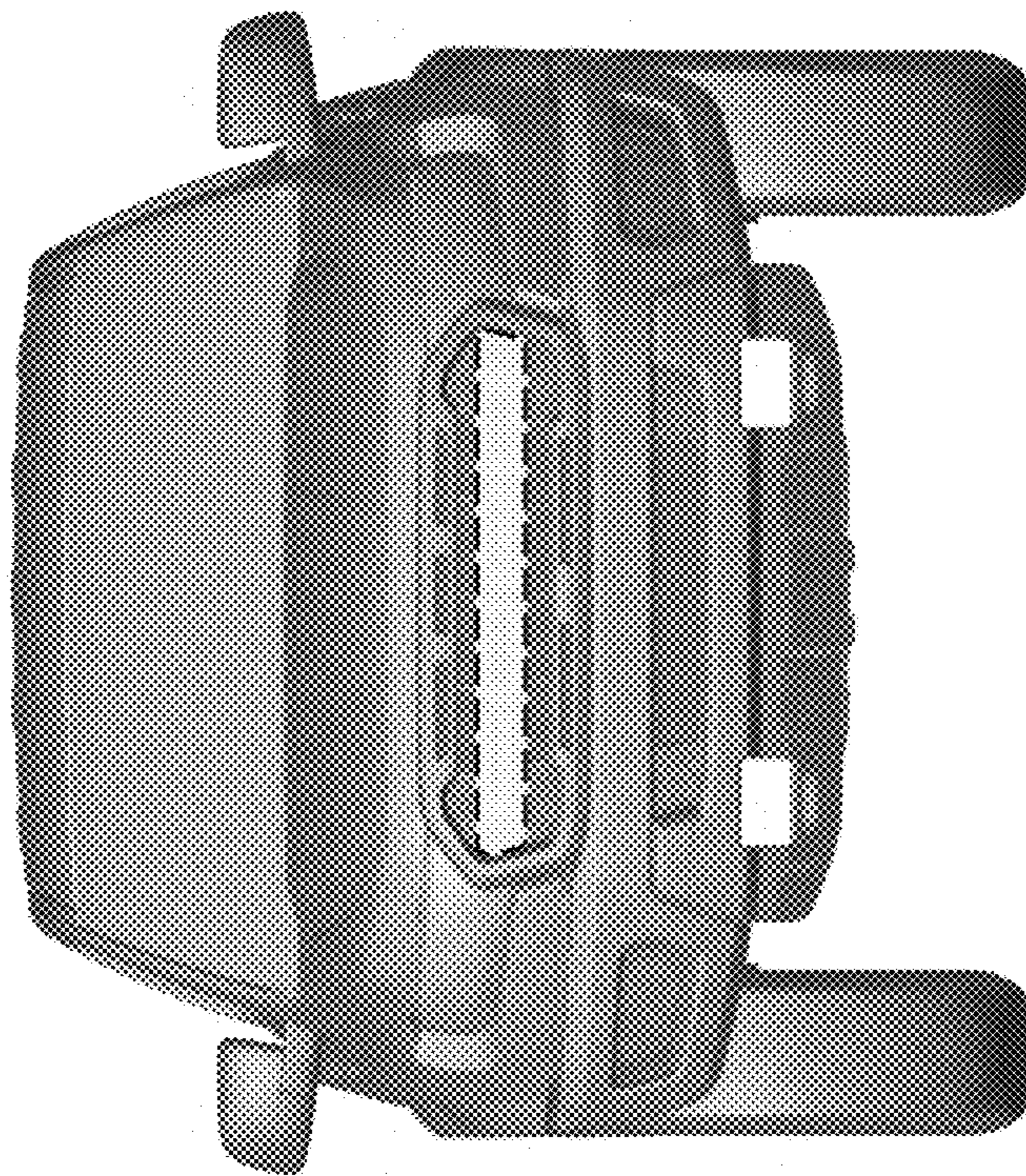


Fig. 1

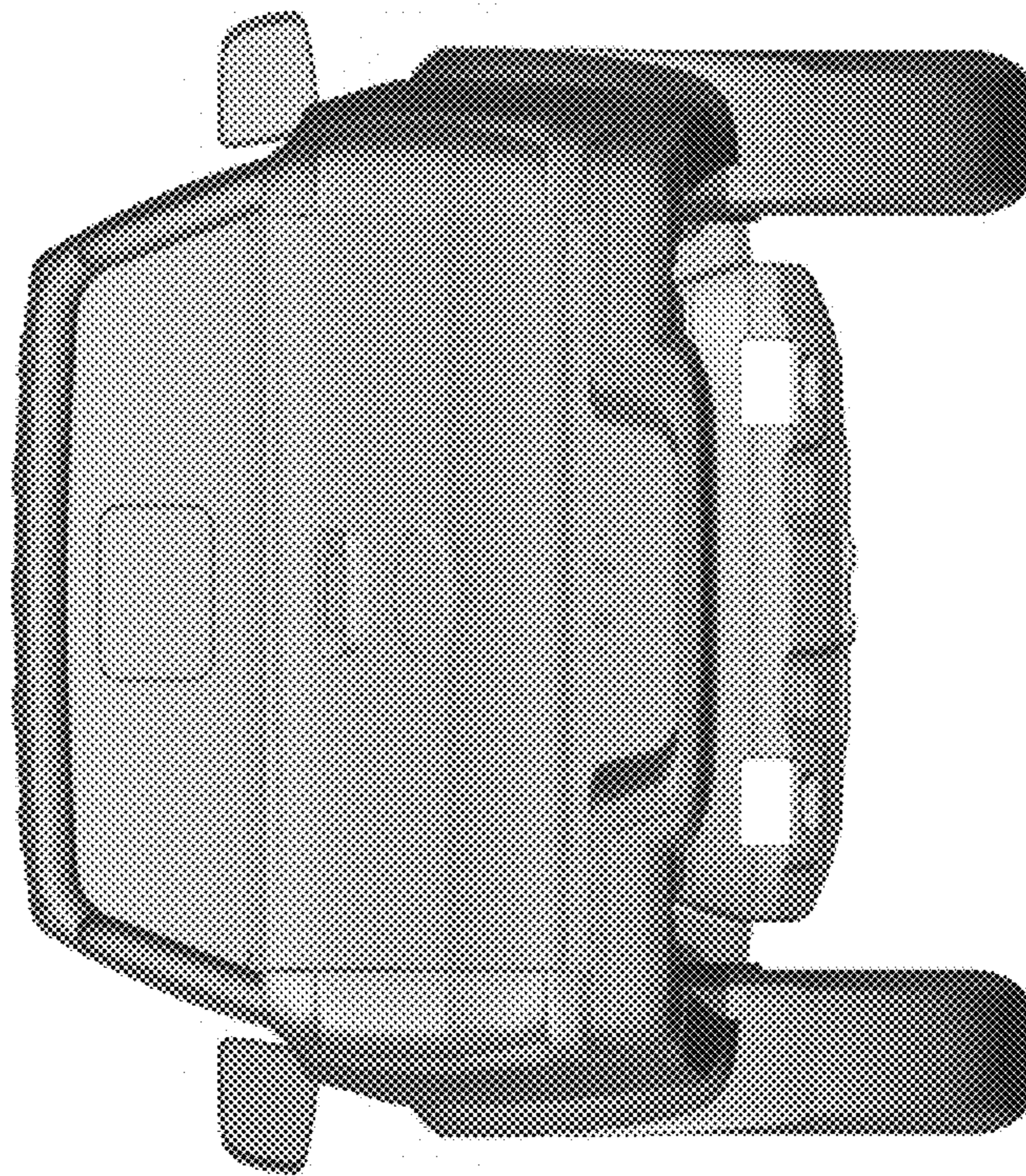


Fig. 2



Fig. 3



Fig. 4

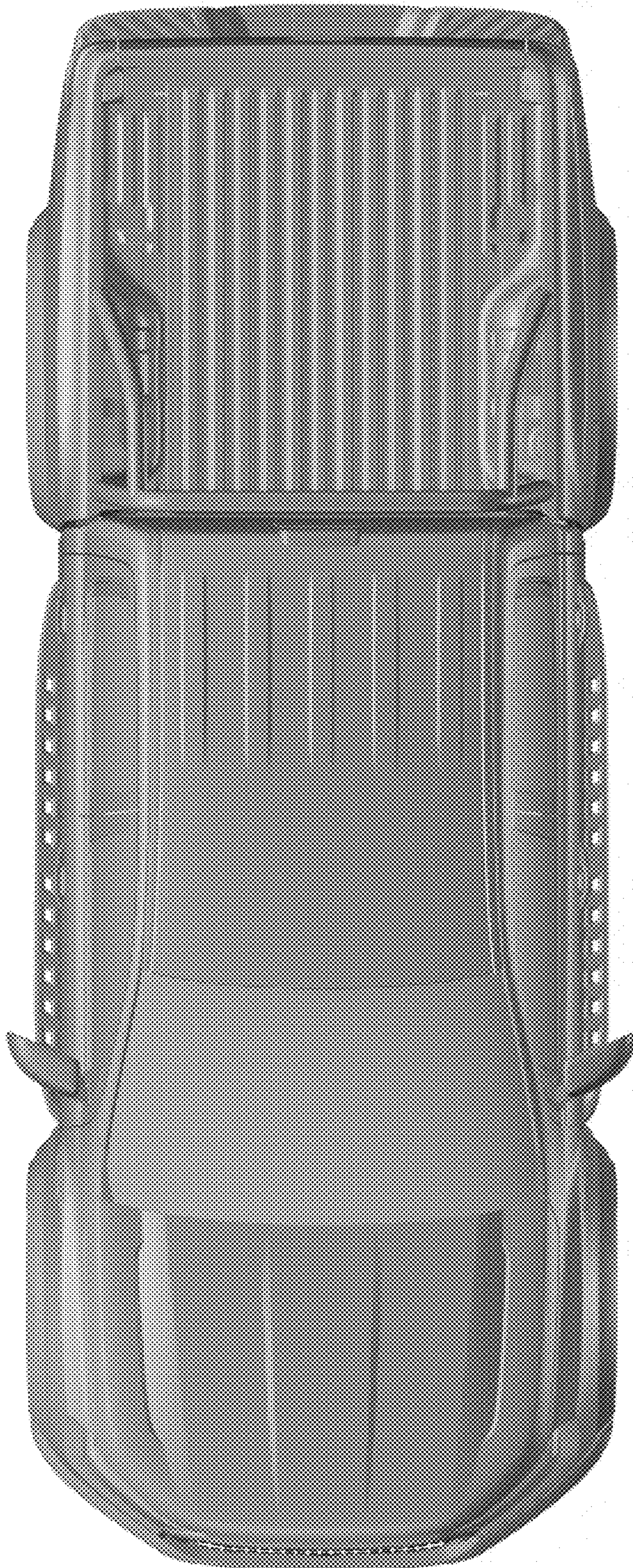


Fig. 5



Fig. 6



Fig. 7