



US00D907530S

(12) **United States Design Patent**
Craze et al.

(10) **Patent No.:** **US D907,530 S**
(45) **Date of Patent:** **** *Jan. 12, 2021**

- (54) **DOLLY ASSEMBLY SUPPORT ON TOW TRUCK**
- (71) Applicant: **Miller Industries Towing Equipment, Inc., Ooltewah, TN (US)**
- (72) Inventors: **Paul Craze, Chesapeake, VA (US); Paul Saffelle, Falls Church, VA (US)**
- (73) Assignee: **Miller Industries Towing Equipment, Inc., Ooltewah, TN (US)**
- (*) Notice: This patent is subject to a terminal disclaimer.
- (**) Term: **15 Years**
- (21) Appl. No.: **29/557,892**
- (22) Filed: **Mar. 14, 2016**
- (51) **LOC (13) Cl.** **12-13**
- (52) **U.S. Cl.**
USPC **D12/14**
- (58) **Field of Classification Search**
USPC D6/362; D12/1, 14, 16, 82, 86, 87, 88, D12/92, 96, 107, 112, 113, 164, 173, 400, D12/401, 403, 408, 412, 418; D15/10; D21/551, 556, 559; D34/15
CPC A47B 88/06; A47B 88/48; A47B 46/005; B60P 3/127; B60P 1/4442; B62B 3/02; B62B 1/14; B66G 7/246; B60D 1/56; B62D 3/04; B62D 53/0864; B66F 5/02
See application file for complete search history.

(56) **References Cited**

U.S. PATENT DOCUMENTS

- 2,551,745 A * 5/1951 Hutchings B60P 3/125
212/180
- 2,943,863 A * 7/1960 Flournoy B60P 3/127
280/35
- 4,678,392 A * 7/1987 Capers B60P 3/125
280/402

- 4,737,066 A * 4/1988 Allison, Jr. B60P 3/125
280/402
- 5,782,596 A * 7/1998 Young B60P 3/125
280/402
- 6,095,748 A * 8/2000 Zackovich B60P 3/12
280/402
- 6,623,028 B1 * 9/2003 Johnston B62D 63/061
280/656

(Continued)

OTHER PUBLICATIONS

Santiam01, posted at Tow411.yuku.com, posted on Sep. 24, 2008, [online], [site visited Mar. 20, 2017]. Available from the Internet, <<http://tow411.yuku.com/topic/52150/MPL40-GoJack-Dollie-Mounting-Ideas#.WNBjSfkrLmE>>.*

(Continued)

Primary Examiner — Mary Ann Calabrese
Assistant Examiner — Catherine Ho
(74) *Attorney, Agent, or Firm* — Michael P. Mazza, LLC

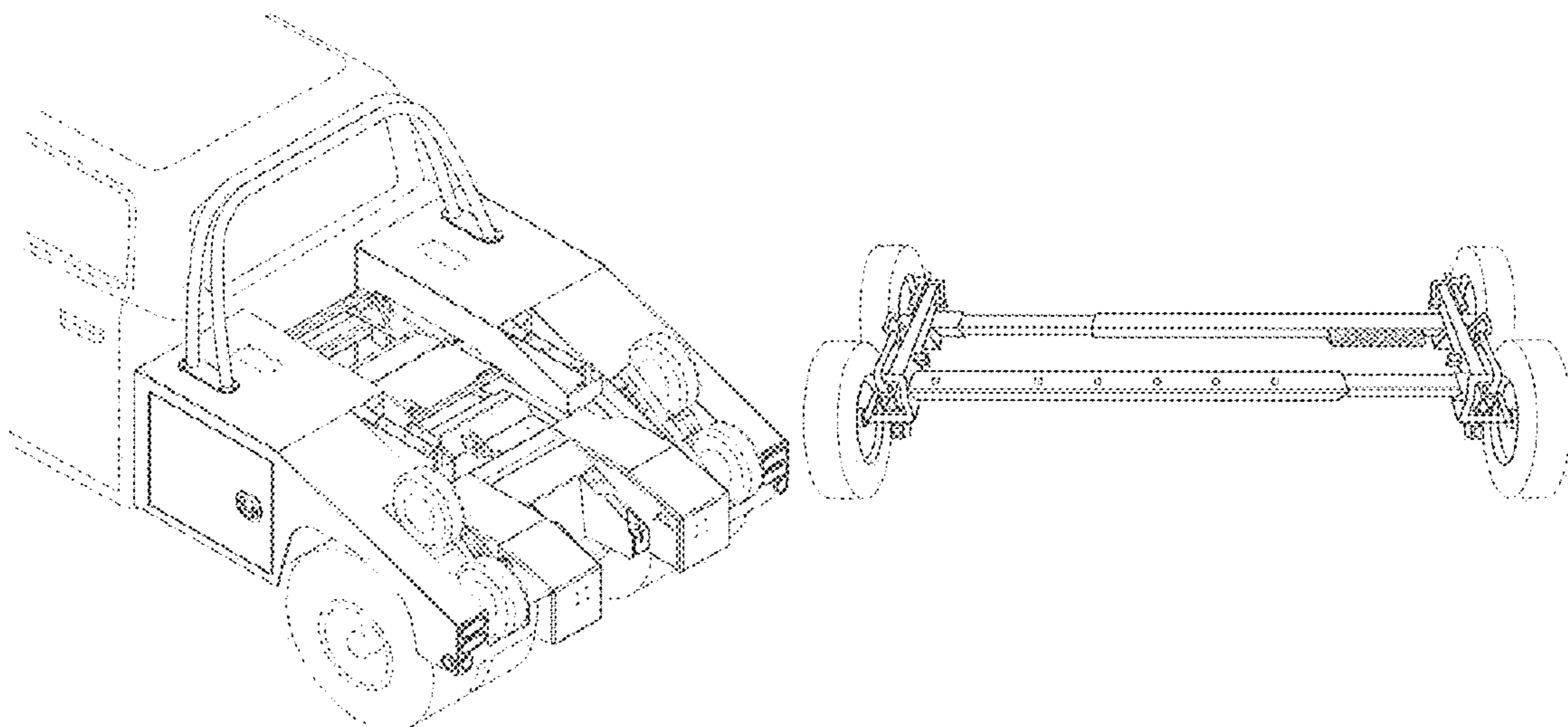
(57) **CLAIM**

We claim the ornamental design for the dolly assembly support on a tow truck, as shown and described in the drawings.

DESCRIPTION

FIG. 1 is a top and side perspective view of one preferred embodiment of the design of the present invention, showing a top rear portion of a tow truck, and two pairs of dollies and corresponding dolly carriage axles supported by the top rear portion of the tow truck; FIG. 2 is a rear perspective view of the design shown in FIG. 1; FIG. 3 is a top, rear perspective view of the design shown in FIG. 1; and FIG. 4 is a left elevation view thereof; FIG. 5 is a right elevation view thereof; and, FIG. 6 is a perspective view of the assembled dolly carriage portion from the dolly support for tow truck.

1 Claim, 3 Drawing Sheets



(56)

References Cited

U.S. PATENT DOCUMENTS

7,275,753	B1	10/2007	Ceccarelli	
7,661,777	B2	2/2010	Ceccarelli	
2004/0105746	A1*	6/2004	Nolasco B60P 3/125 414/563
2005/0189737	A1*	9/2005	Goldie B25H 5/00 280/641
2009/0155035	A1*	6/2009	Lundin B62D 53/0857 414/495
2009/0250901	A1*	10/2009	Lundin B60G 9/003 280/442

OTHER PUBLICATIONS

Sold!, posted at Youtube.com, posted on Mar. 28, 2011, [online], [site visited Mar. 20, 2017]. Available from the Internet, <<https://www.youtube.com/watch?v=KEjleDNgrjA>>.*

Collins Self Loading Tow Dollies, posted at Easternwreckerstore.com, posted on Oct. 3, 2014, [online], [site visited Mar. 20, 2017]. Available from the Internet, <<https://www.easternwreckerstore.com/Collins-Hi-Speed-Tow-Dolly-Towing-Dollies-p/wd-dolliesaluminum.htm>>.*

Perrys Towing, posted at Tow411.yuku.com, posted on Jan. 11, 2013, [online], [site visited Mar. 20, 2017]. Available from the Internet, <<http://tow411.yuku.com/reply/1003560/Re-how-are-you-mounting-dollies#.WNBIrfrLmE>>.*

www.awdirest.com/icatalog—In the Ditch Storage solutions and replacement parts.

In the Ditch Installation Guide for Universal Mount.

Self Loading Photos.

* cited by examiner

Fig. 1

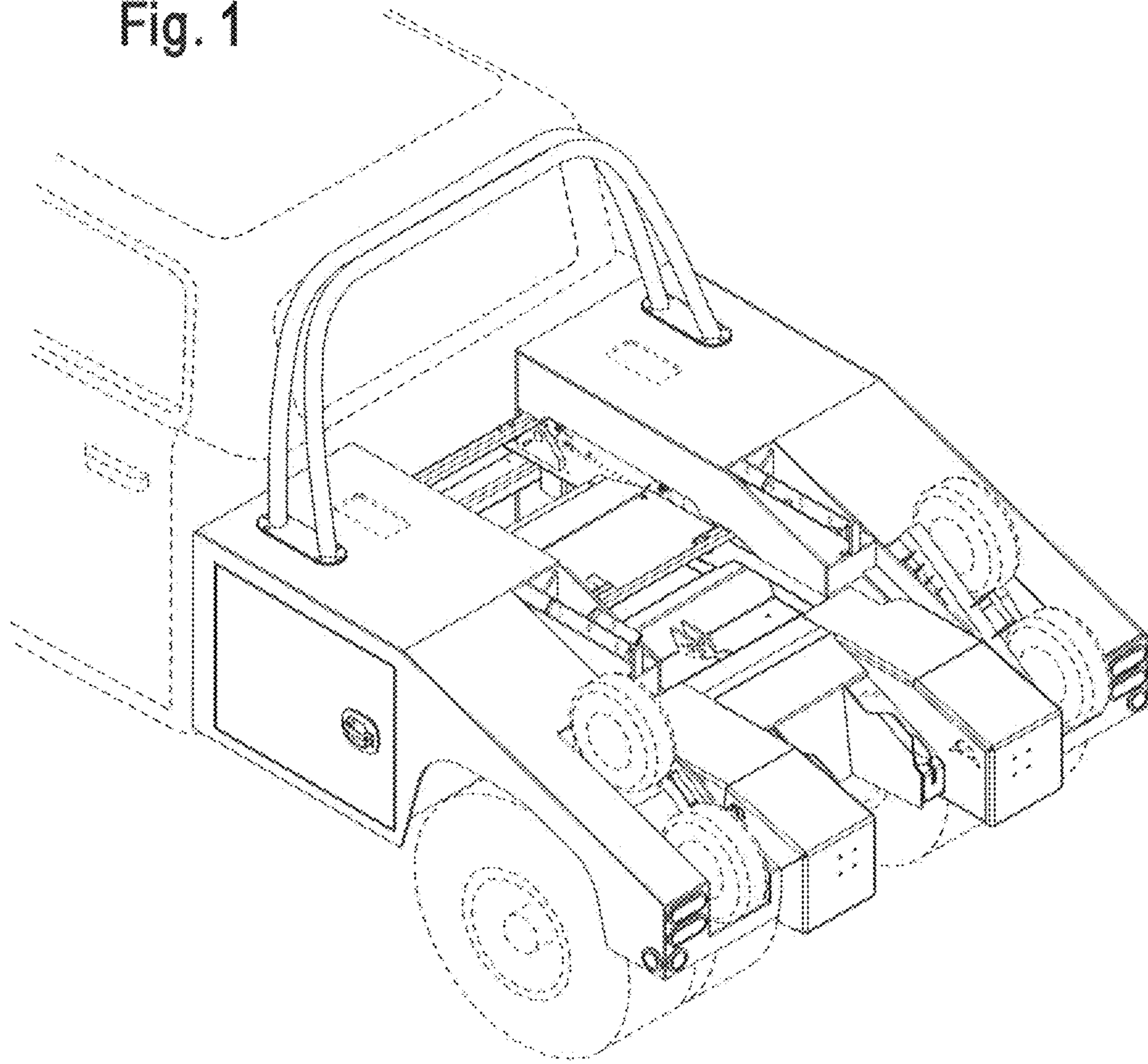


Fig. 2

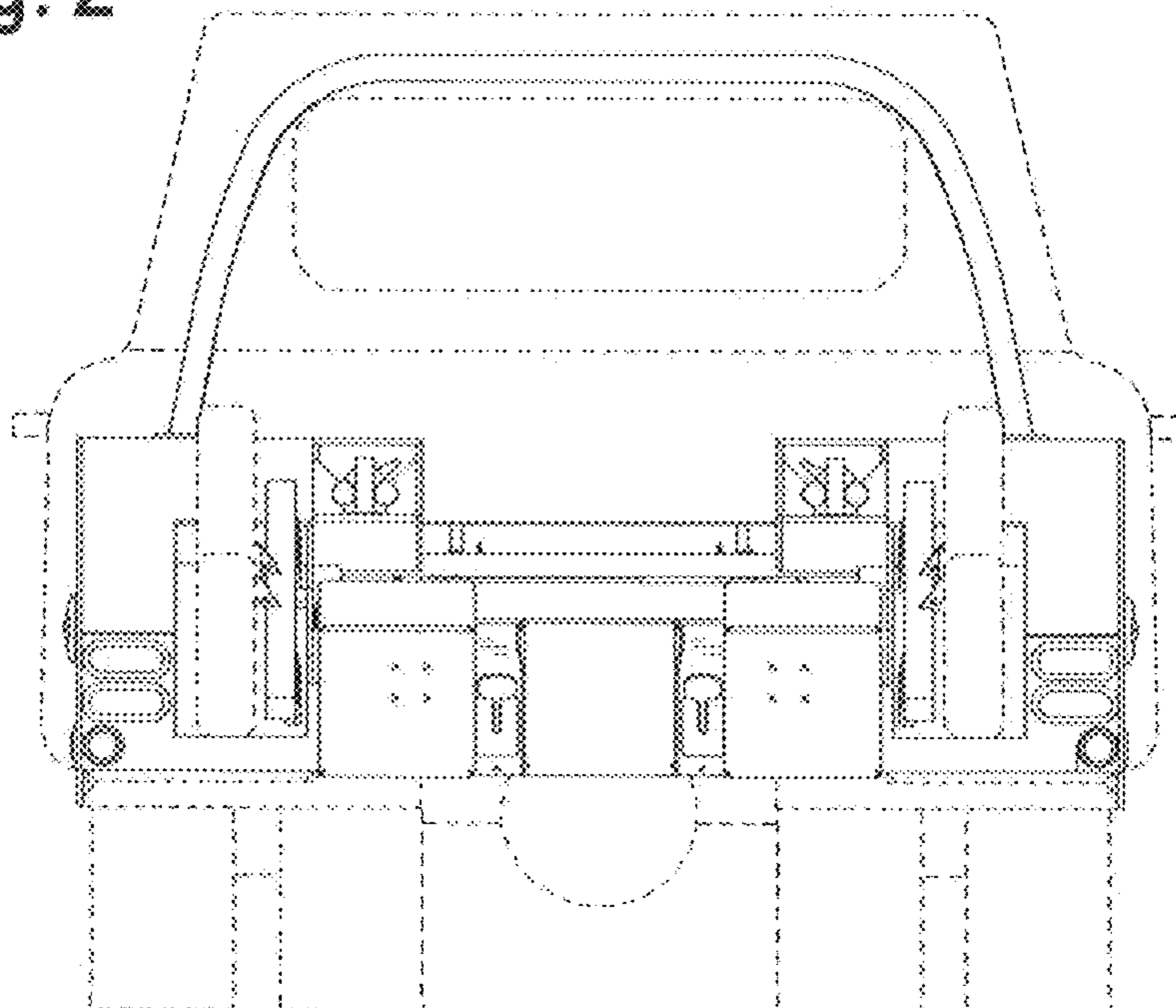


Fig. 3

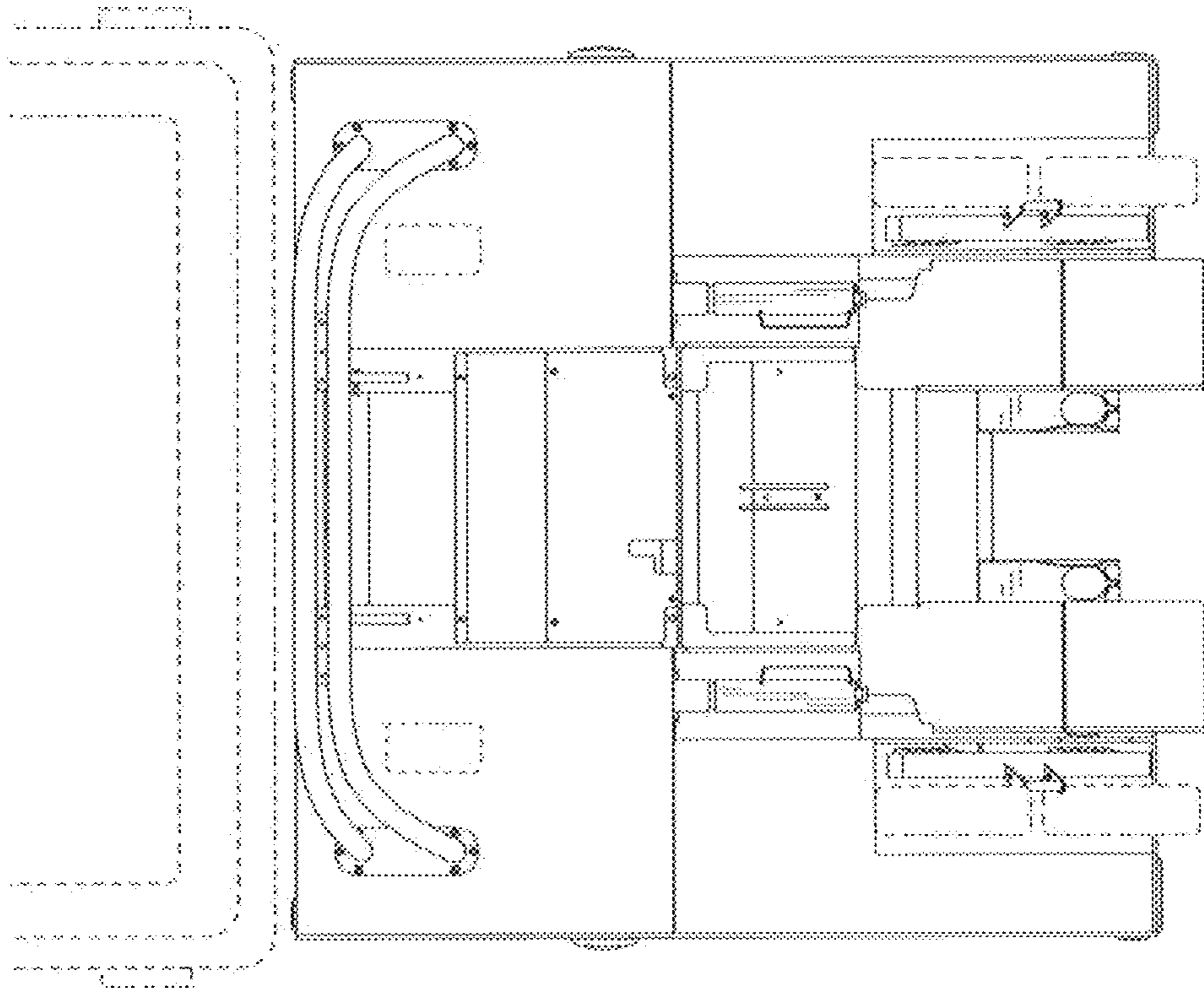


Fig. 4

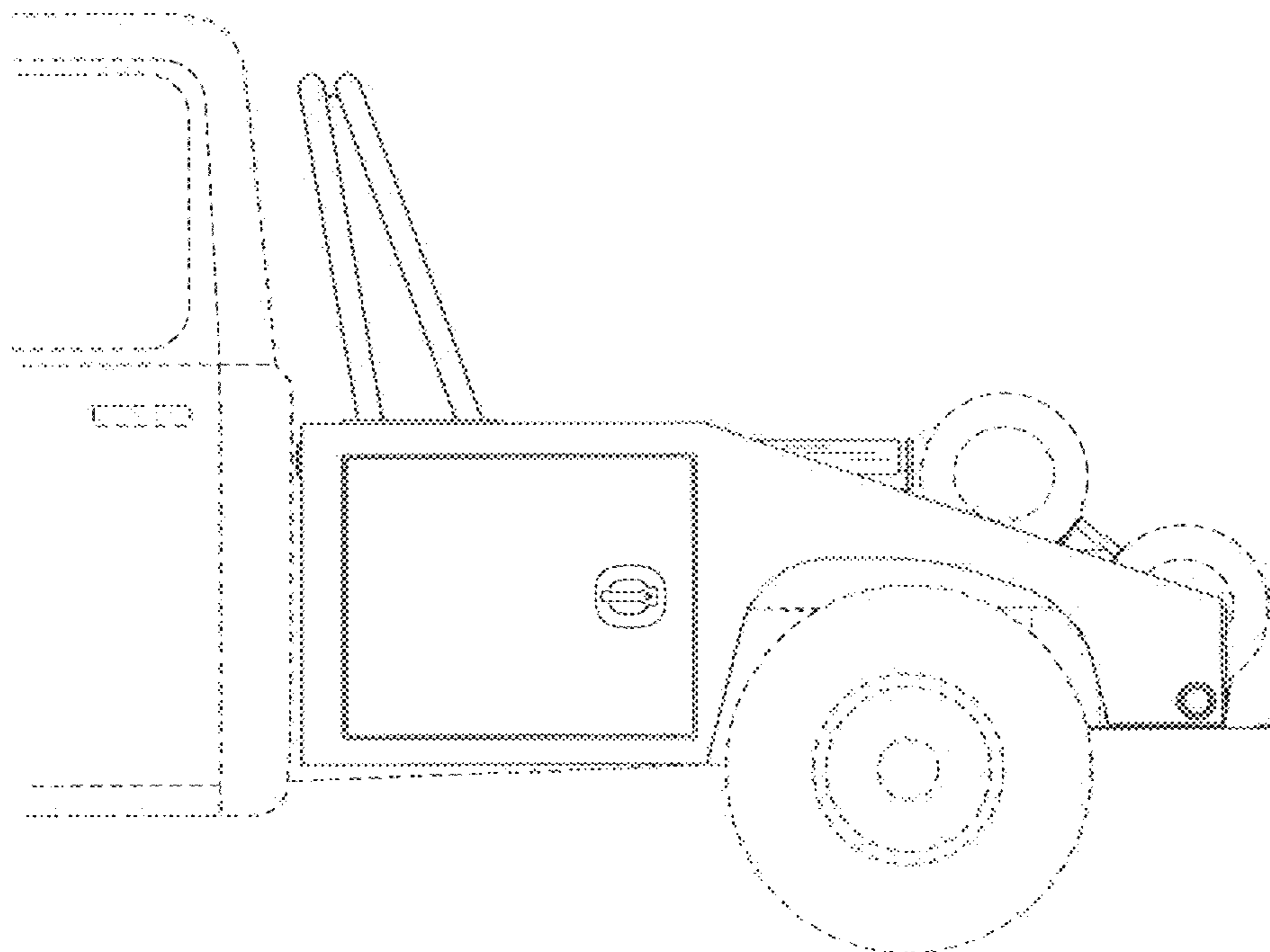


Fig. 5

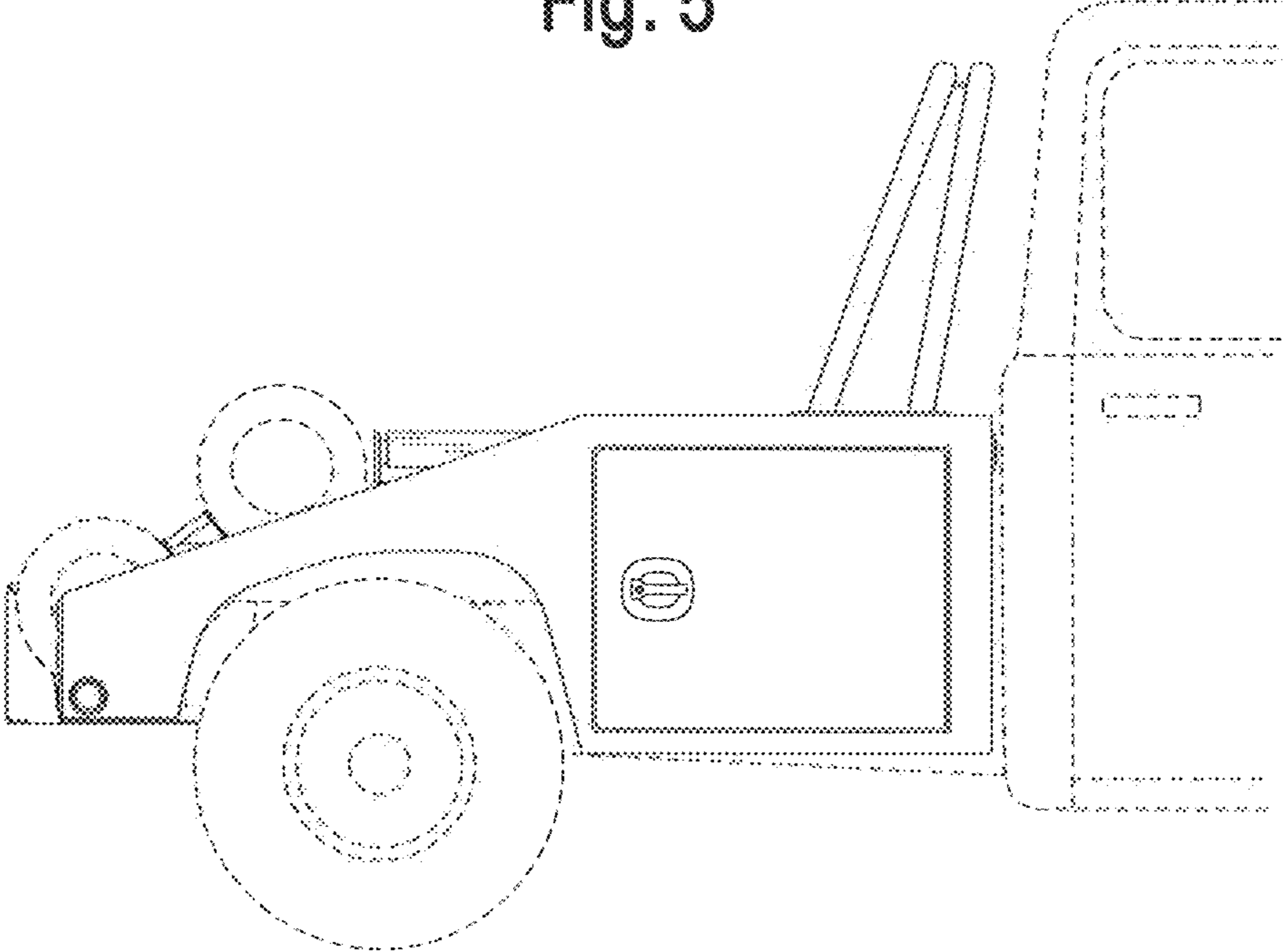


Fig. 6

