



US00D907529S

(12) **United States Design Patent** (10) **Patent No.:** **US D907,529 S**
Lou (45) **Date of Patent:** **** Jan. 12, 2021**

(54) **ZIPPER PULLER**

(71) Applicant: **Xinman Lou**, Yiwu (CN)

(72) Inventor: **Xinman Lou**, Yiwu (CN)

(**) Term: **15 Years**

(21) Appl. No.: **29/640,327**

(22) Filed: **Mar. 14, 2018**

(51) **LOC (13) Cl.** **02-07**

(52) **U.S. Cl.**
USPC **D11/221; D2/853**

(58) **Field of Classification Search**
USPC D11/221; D2/853, 641; D15/7
CPC A44B 19/24; A44B 19/30
See application file for complete search history.

(56) **References Cited**

U.S. PATENT DOCUMENTS

- 2,599,536 A * 6/1952 Backer A44B 19/306
24/421
- 2,683,911 A * 7/1954 Backer A44B 19/306
24/421
- 3,325,869 A * 6/1967 Younger A44B 19/301
24/387
- 3,719,973 A * 3/1973 Bell A44B 19/262
24/429
- 3,872,551 A * 3/1975 Moertel A44B 19/382
24/388
- 4,265,004 A * 5/1981 Akashi A44B 19/38
24/434
- D280,463 S * 9/1985 Sheahan 294/3.6
- D304,777 S * 11/1989 Glenn D2/863
- 5,083,349 A * 1/1992 Axtell A44B 19/262
24/415
- 5,381,922 A * 1/1995 Gladman A45F 5/02
220/480
- D366,012 S * 1/1996 Aoki D11/221
- D368,353 S * 4/1996 McCrudden D2/717
- 6,059,140 A * 5/2000 Hicks B65D 81/3879
220/6
- D484,829 S * 1/2004 Yamamoto D11/221

- D499,668 S * 12/2004 Iwase D11/221
- D543,245 S * 5/2007 Feibelman D20/22
- D556,088 S * 11/2007 Cossutti D11/221
- D559,732 S * 1/2008 Ohgaku D11/221

(Continued)

OTHER PUBLICATIONS

Stussy X Herschel Supply Co. Duffle Bag posted to Freshnessmag by John Kim. Available date May 16, 2012 [site visited Dec. 27, 2019] Available: <<https://www.freshnessmag.com/2012/05/17/stussy-x-herschel-supply-co-duffle-bag-collection/>> (Year: 2012).*

(Continued)

Primary Examiner — Kevin K Rudzinski
(74) *Attorney, Agent, or Firm* — Bayramoglu Law Offices LLC

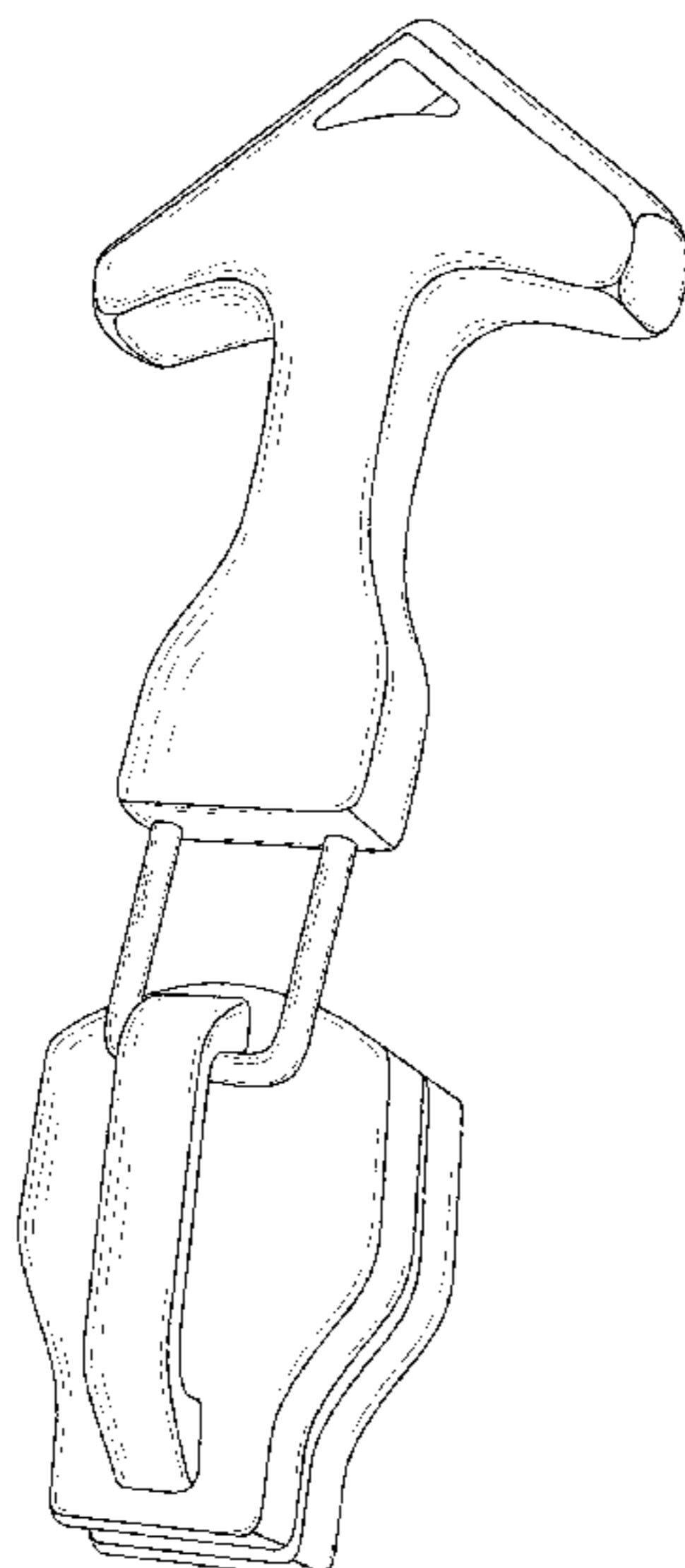
(57) **CLAIM**

The ornamental design for zipper puller, as shown and described.

DESCRIPTION

FIG. 1 is a front view of a zipper puller, showing my new design;
FIG. 2 is a back view of the zipper puller;
FIG. 3 is a left view of the zipper puller;
The right side view is a mirror image of the left side;
FIG. 4 is a top view of the zipper puller;
FIG. 5 is a bottom view of the zipper puller;
FIG. 6 is a perspective view of the zipper puller;
FIG. 7 is a perspective view of the zipper puller in use state;
and,
FIG. 8 is another perspective view of the zipper puller in use state.
The parts shown in broken lines are for illustrative purposes only and form no part of the claimed design.

1 Claim, 8 Drawing Sheets



(56)

References Cited

U.S. PATENT DOCUMENTS

D575,190 S * 8/2008 Keyaki D11/221
 D579,379 S * 10/2008 Lin D11/221
 D581,433 S * 11/2008 Kobayashi D15/6
 D608,983 S * 2/2010 Myers D2/857
 D627,540 S * 11/2010 Claeys D2/750
 D631,790 S * 2/2011 Keyaki D11/221
 8,756,717 B2 * 6/2014 Claeys A41D 27/204
 2/250
 9,003,860 B2 * 4/2015 Keyaki A44B 19/26
 72/414
 D744,204 S * 12/2015 Boman D2/840
 9,237,781 B2 * 1/2016 Shimono A44B 19/24
 D780,622 S * 3/2017 Lin D11/221
 D786,024 S * 5/2017 Panone D7/624.2
 D803,094 S * 11/2017 Keyaki D11/221
 D815,801 S * 4/2018 Torre D2/840
 D875,601 S * 2/2020 Wooters D11/221
 D879,660 S * 3/2020 Stone D11/221
 2007/0083984 A1 * 4/2007 Wagenknecht A41D 1/08
 2/227
 2008/0047967 A1 * 2/2008 Brunner B65D 81/3886
 220/737
 2008/0289156 A1 * 11/2008 Lewis A44B 19/346
 24/381

2009/0113676 A1 * 5/2009 Chung A44B 19/06
 24/406
 2011/0185471 A1 * 8/2011 Buczkowski A41D 27/201
 2/84
 2012/0124788 A1 * 5/2012 Keyaki A44B 19/382
 24/386
 2016/0270575 A1 * 9/2016 Panone A47G 21/145

OTHER PUBLICATIONS

All About Zipper, posted to Apparel Merchandising Learner. Available date: May 2017 [site visited Nov. 13, 2020] Available: <<https://apparelmerchandisinglearner.blogspot.com/2017/05/zipper.html>> (Year: 2017).*

Zipper Fixer by Ohio Travel Bag, posted to amazon.com. Available date: Jan. 27, 2011 [site visited Nov. 13, 2020] Available: <https://www.amazon.com/Ohio-Travel-Bag-Zipper-2-Pack/dp/B077GBWBYV/ref=sr_1_137?dchild=1&keywords=rubber+zipper+pull&qid=1605276086&sr=8-137> (Year: 2011).*

What Is the Difference Between Zippers? posted to ucanzipperusa.com. Available date: May 6, 2015 [site visited Nov. 13, 2020] Available: <<https://www.ucanzippers.com/blog/what-is-the-difference-between-zippers/>> (Year: 2015).*

* cited by examiner

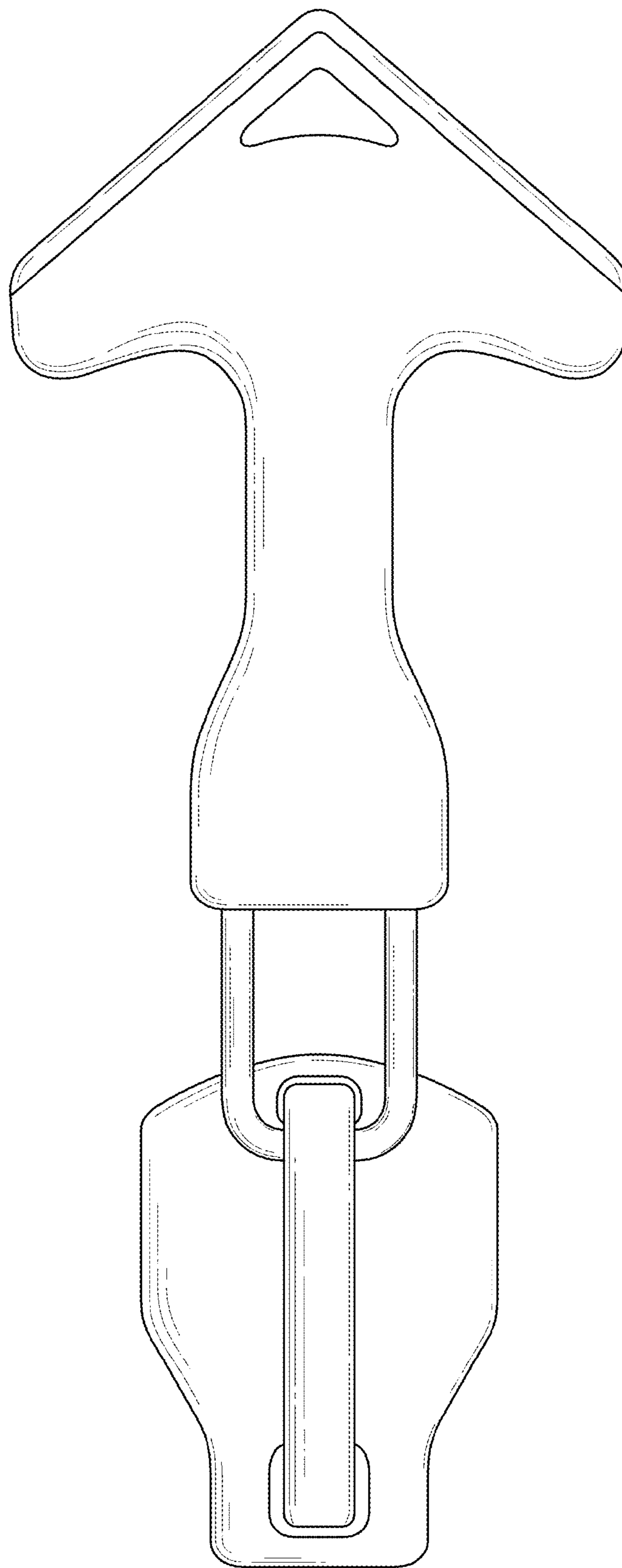


FIG. 1

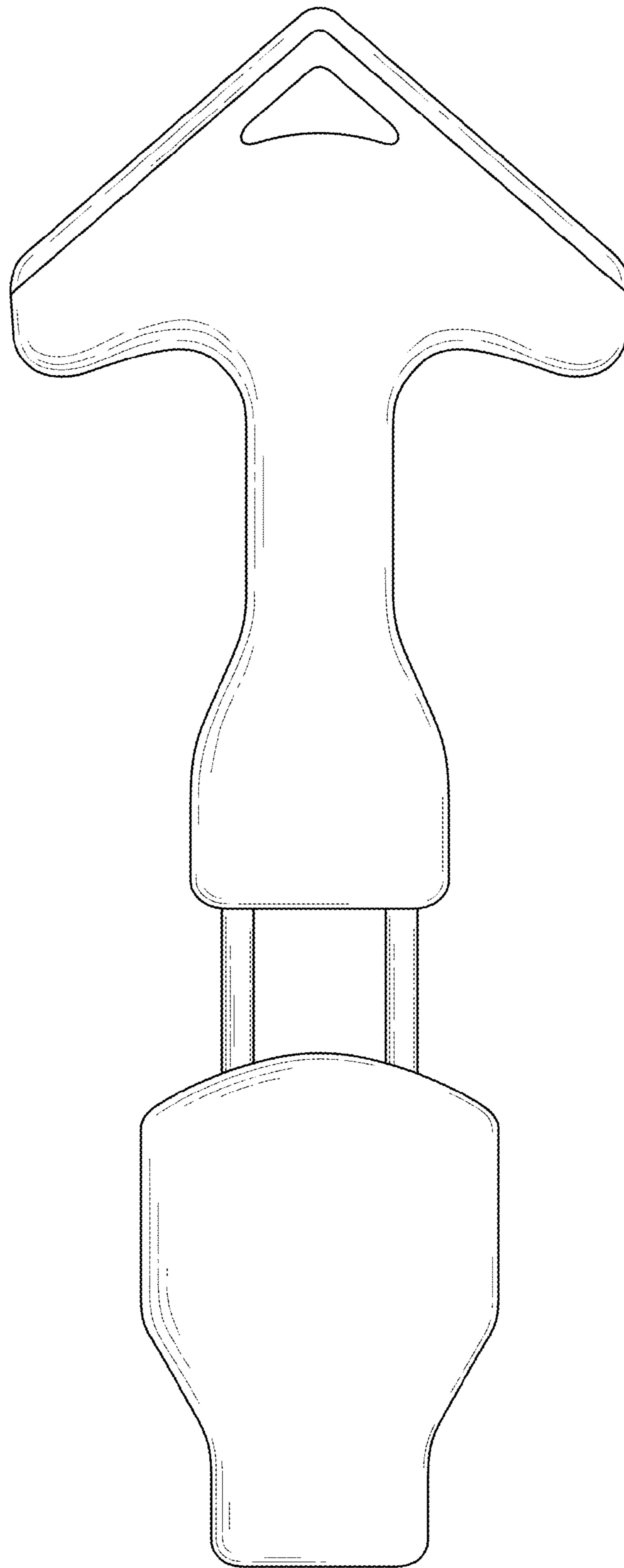


FIG. 2

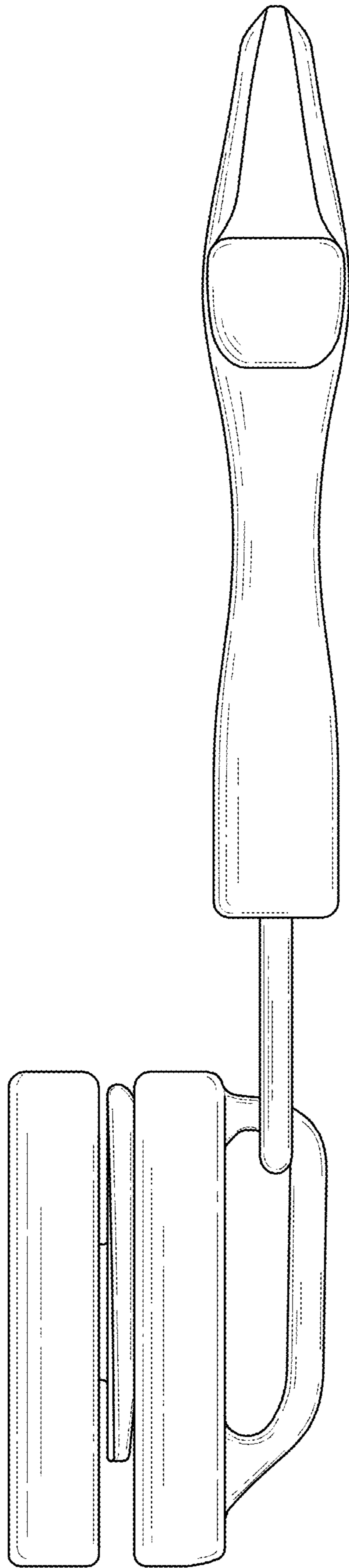


FIG. 3

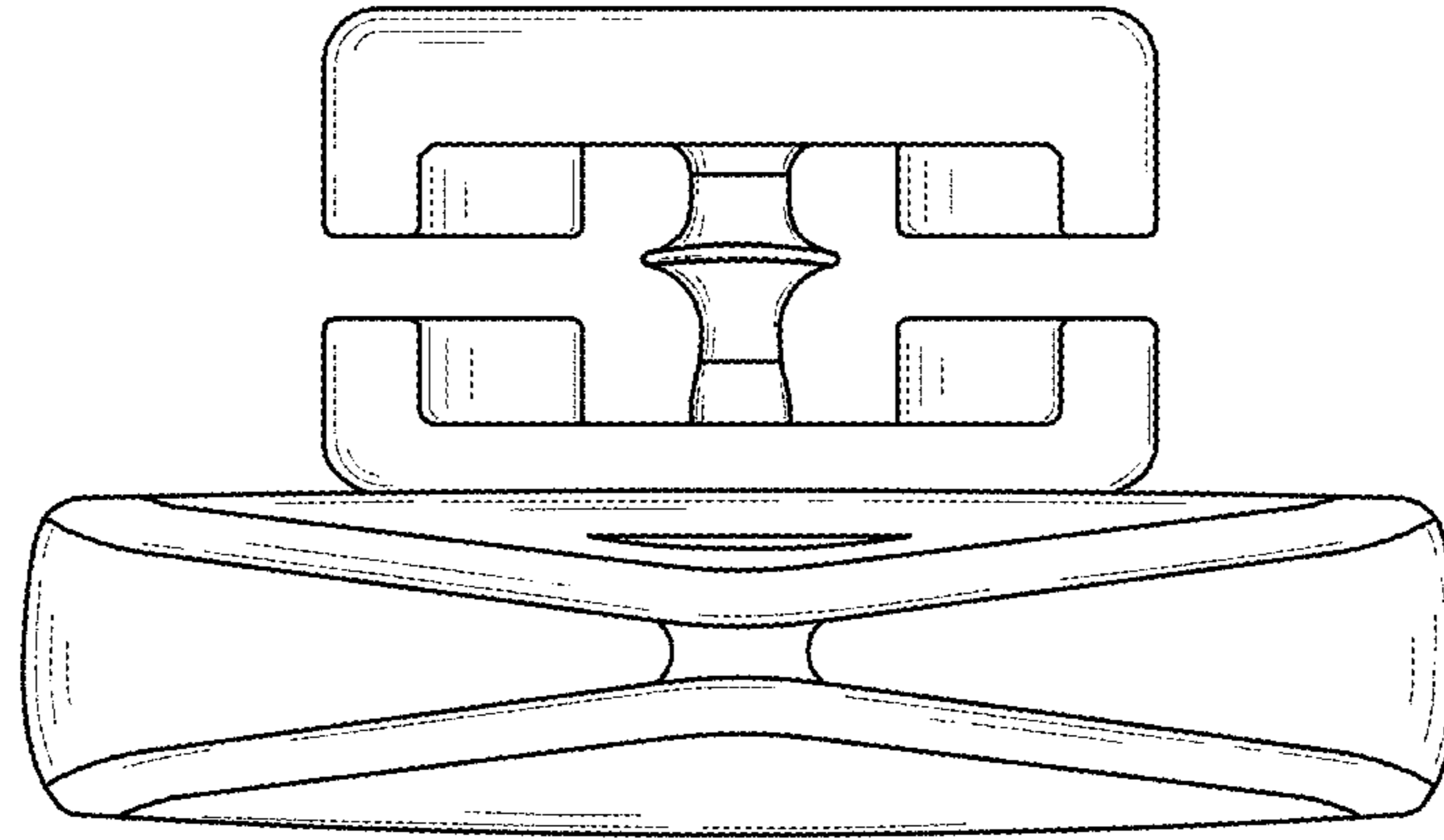


FIG. 4

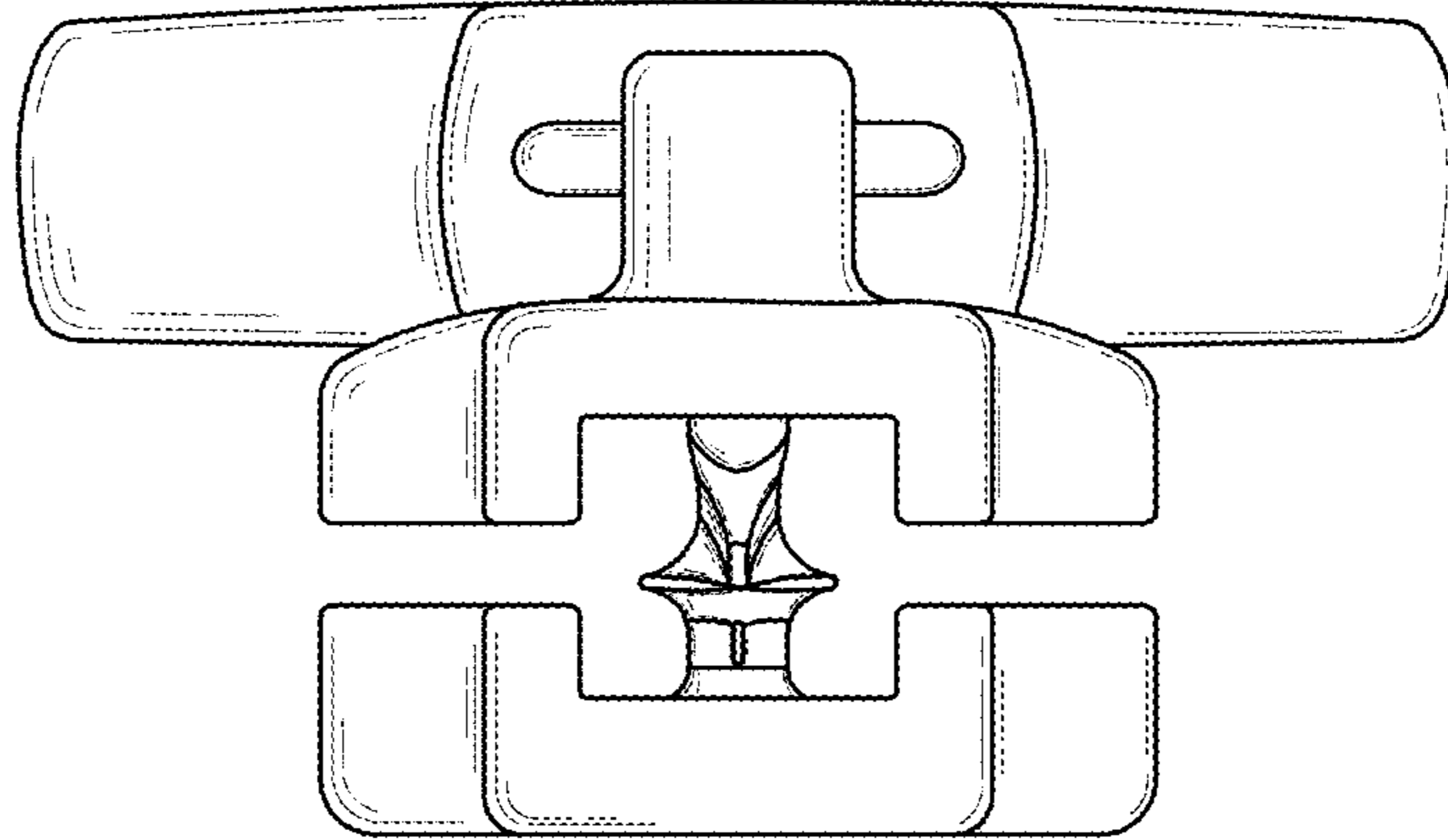


FIG. 5

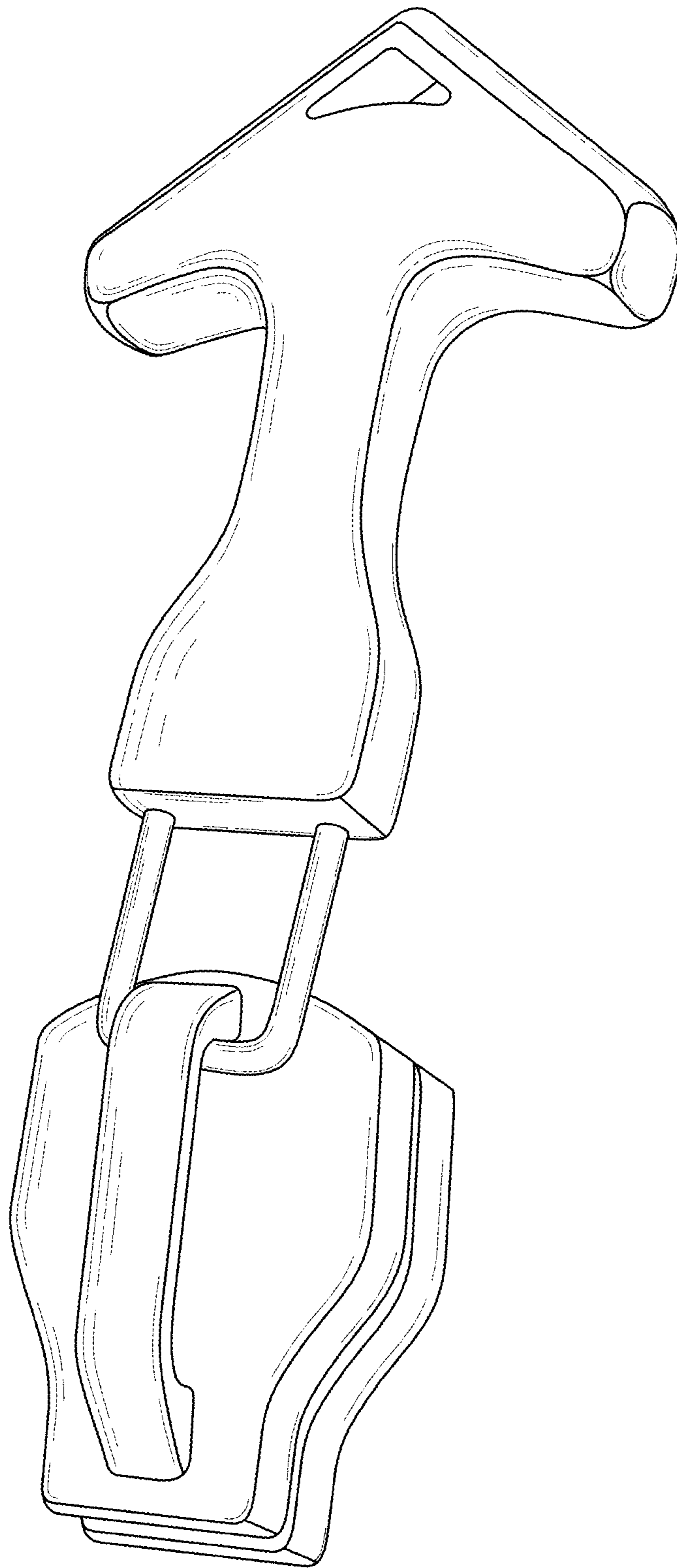


FIG. 6

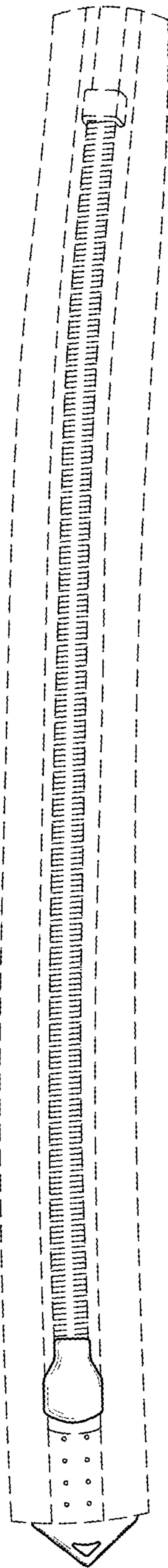


FIG. 7

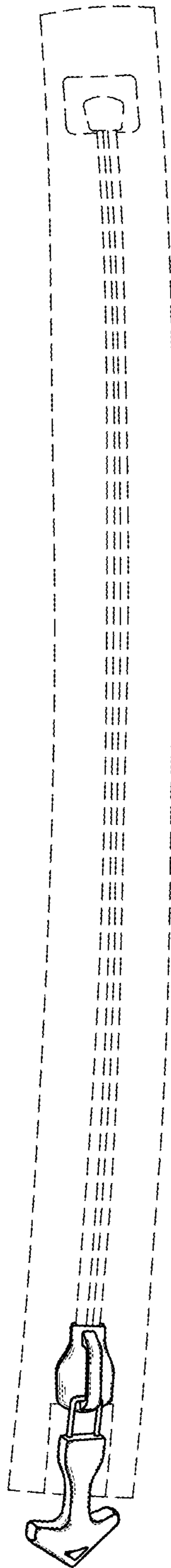


FIG. 8