



US00D907528S

(12) **United States Design Patent** (10) **Patent No.:** **US D907,528 S**  
**Paik et al.** (45) **Date of Patent:** **\*\* Jan. 12, 2021**

(54) **BELT CONTROLLER FOR BAGS**  
(71) Applicant: **WOJIN PLASTIC CO., LTD.**,  
Guri-si (KR)  
(72) Inventors: **Jisook Paik**, Seoul (KR); **Nan Hee Paik**, Seoul (KR); **Ji Hye Paik**, Seoul (KR); **Ji Won Son**, Seoul (KR)  
(73) Assignee: **WOJIN PLASTIC CO., LTD.**,  
Guri-si (KR)

D350,712 S \* 9/1994 D'Ambrosio ..... D11/218  
D445,723 S \* 7/2001 Kim ..... D11/218  
D661,573 S \* 6/2012 Paik ..... D8/367  
D712,306 S \* 9/2014 Fildan ..... D11/218  
D719,485 S \* 12/2014 Kung ..... D11/231  
D829,128 S \* 9/2018 Webb ..... D11/200

(Continued)

**FOREIGN PATENT DOCUMENTS**

FR 645737 A \* 10/1928 ..... A44B 11/04

**OTHER PUBLICATIONS**

Youtube, ITW G-HOOK Tips, posted Mar. 7, 2018, [online], [visited Apr. 23, 2020]. Internet, <URL: https://www.youtube.com/watch?v=hiwqMVi2gll> (Year: 2018).\*

(Continued)

(\*\*) Term: **15 Years**

(21) Appl. No.: **29/673,933**

(22) Filed: **Dec. 18, 2018**

(30) **Foreign Application Priority Data**

Jun. 26, 2018 (KR) ..... 30-2018-0029273

(51) **LOC (13) Cl.** ..... **11-04**

(52) **U.S. Cl.**  
USPC ..... **D11/218**

(58) **Field of Classification Search**

USPC ..... D11/200, 201, 208, 212, 215, 216, 218,  
D11/219, 220, 221, 86, 87, 93, 94, 231;  
D8/383, 382, 499

CPC ..... A44C 23/00; A44C 5/18; A44C 5/185;  
A44C 5/2066; A44C 5/2042; A44C  
5/2057; A44C 5/2071; A44D 2200/10;  
A44D 2201/02; A44D 2201/10; A44D  
2201/12; A44D 2201/14; A44D 2201/16;  
A44D 2201/30; A44D 2201/32; A44D  
2201/34; A44D 2201/36; A44D 2203/00;  
A44D 2205/00; A44B 11/00; A44B  
11/25; A44B 11/2553; A44B 11/2549;  
A44B 11/04

See application file for complete search history.

(56) **References Cited**

**U.S. PATENT DOCUMENTS**

D47,699 S \* 8/1915 Parsons ..... D8/383  
D112,603 S \* 12/1938 Farkas ..... D11/218

*Primary Examiner* — Sheryl Lane

*Assistant Examiner* — Samantha N Wood

(74) *Attorney, Agent, or Firm* — Novick, Kim & Lee,  
PLLC; Jae Youn Kim; Hyun Woo Shin

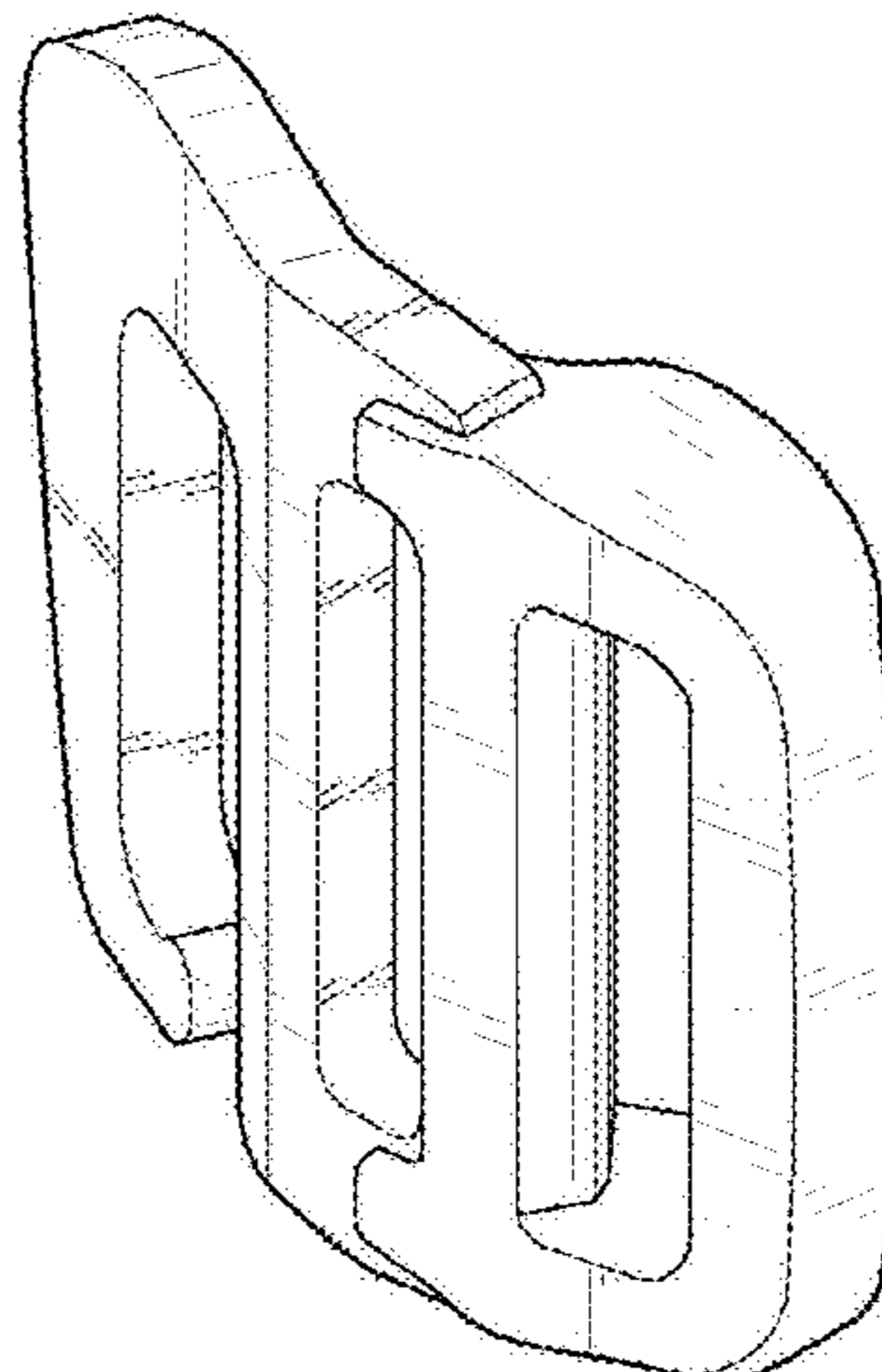
(57) **CLAIM**

The ornamental design for a belt controller for bags, as shown and described.

**DESCRIPTION**

FIG. 1 is a perspective view of a belt controller for bags, showing our new design;  
FIG. 2 is a front view thereof;  
FIG. 3 is a rear view thereof;  
FIG. 4 is a left-side view thereof;  
FIG. 5 is a right-side view thereof;  
FIG. 6 is a top view thereof;  
FIG. 7 is a bottom view thereof; and,  
FIG. 8 is a cross-sectional view taken along line 8-8 in FIG. 2.

**1 Claim, 8 Drawing Sheets**



(56)

**References Cited**

U.S. PATENT DOCUMENTS

2005/0066484 A1\* 3/2005 Hurn ..... A44B 11/04  
24/321  
2005/0273985 A1\* 12/2005 Tsai ..... A45F 3/14  
24/302

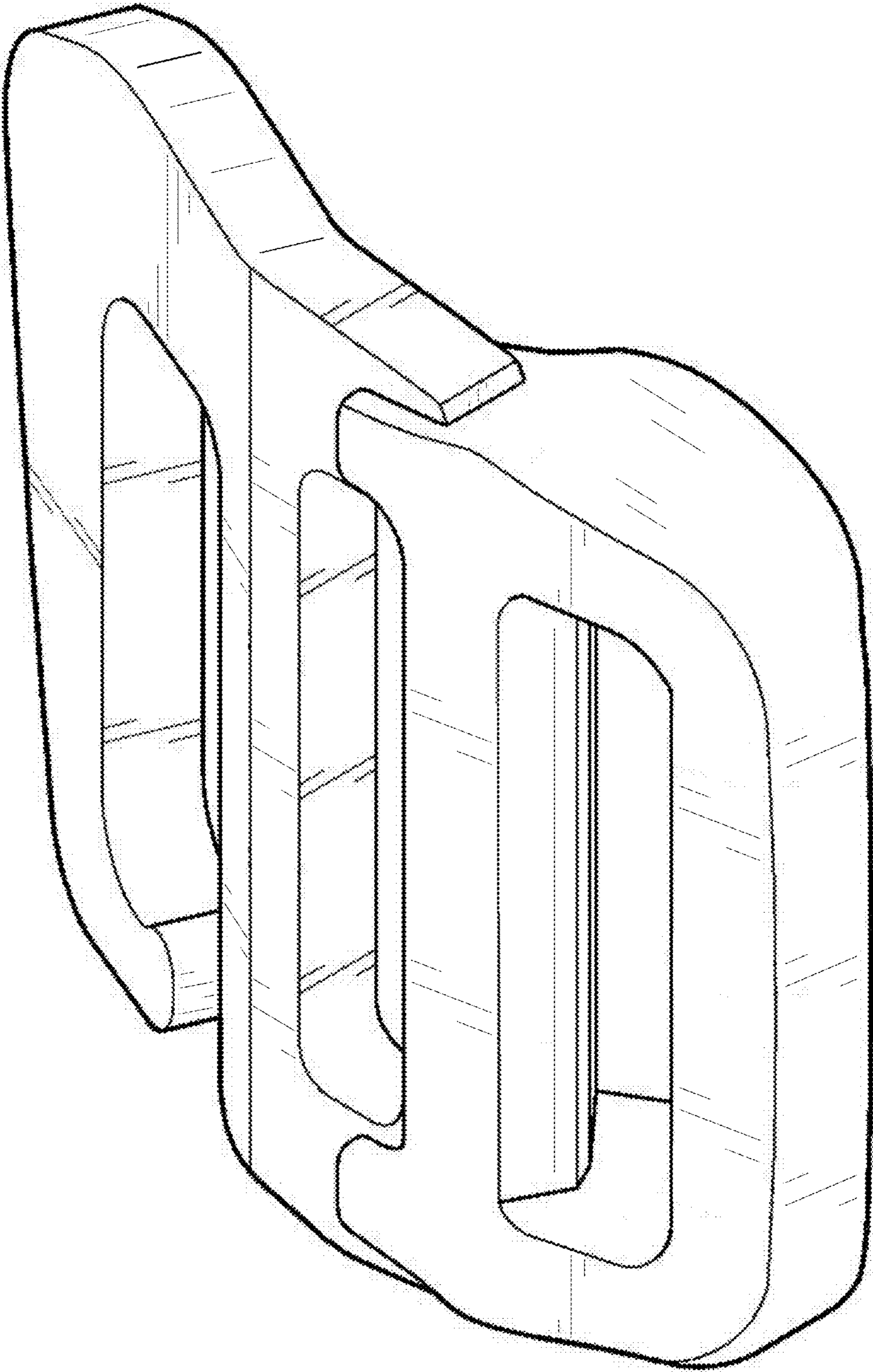
OTHER PUBLICATIONS

Amazon, Baoblaze G Hook Webbing Buckle, posted Jan. 10, 2018, [online], [visited Apr. 23, 2020]. Internet, <URL: [https://www.amazon.co.uk/Webbing-Buckle-Backpack-Luggage-Silver/dp/B078XCHG4Q/ref=olp\\_product\\_details?ie=UTF8&me=>](https://www.amazon.co.uk/Webbing-Buckle-Backpack-Luggage-Silver/dp/B078XCHG4Q/ref=olp_product_details?ie=UTF8&me=>) (Year: 2018).\*

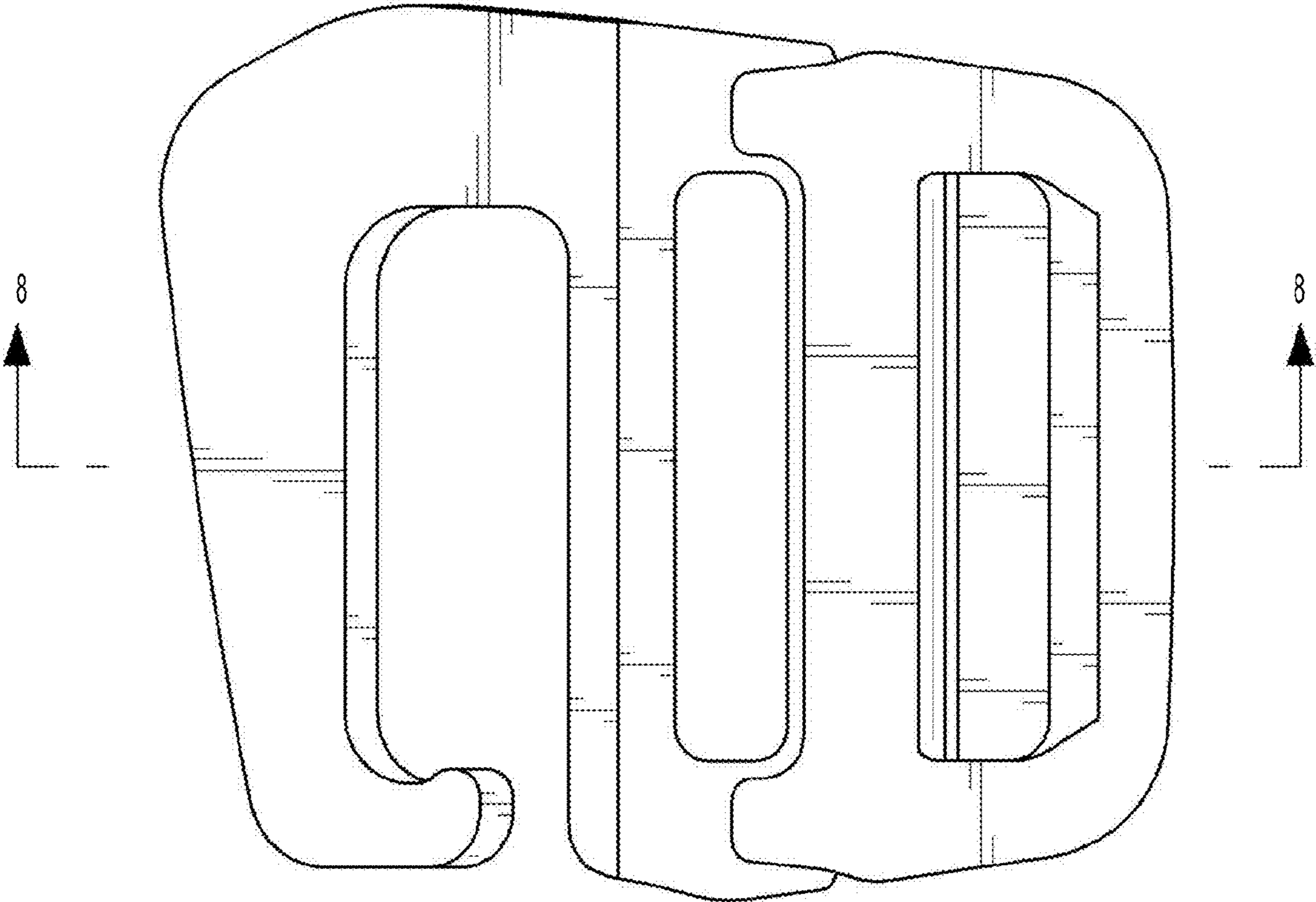
Blogspot, Exploriment—Woo-Jin Tension Hooks rather than ITW G-Hooks, posted Nov. 2, 2014, [online], [visited Apr. 23, 2020]. Internet, <URL: <http://exploriment.blogspot.com/2014/11/woo-jin-tension-hooks-rather-than-itw-g.html>> (Year: 2014).\*

\* cited by examiner

**Fig. 1**

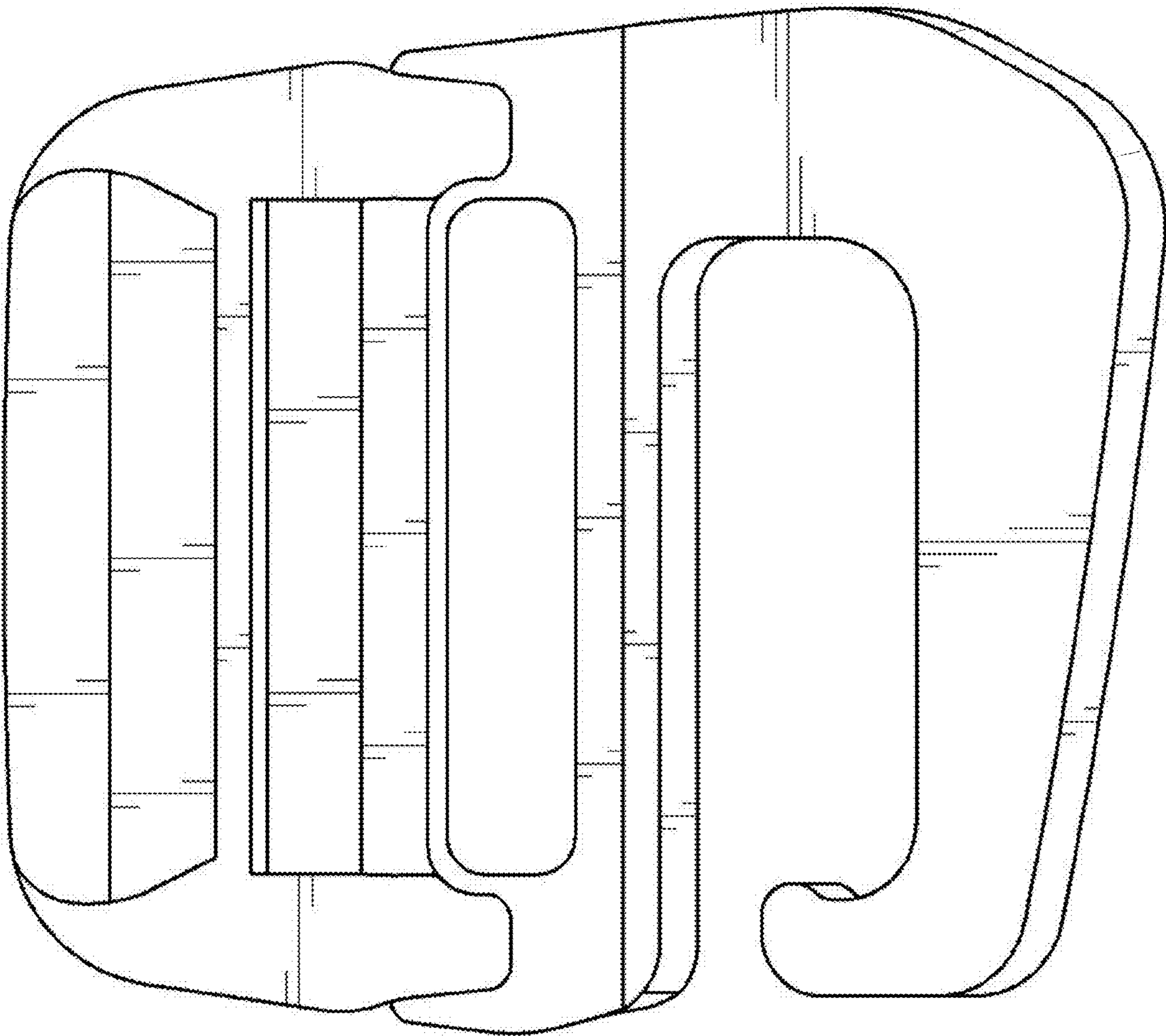


**Fig. 2**

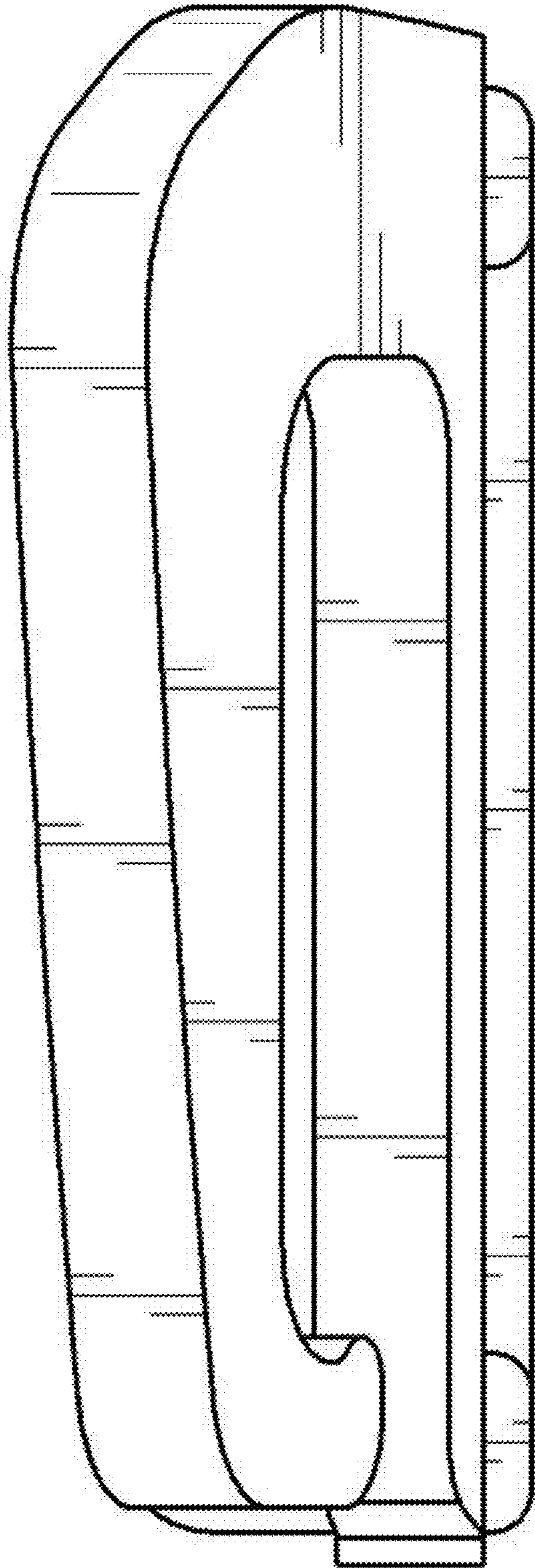




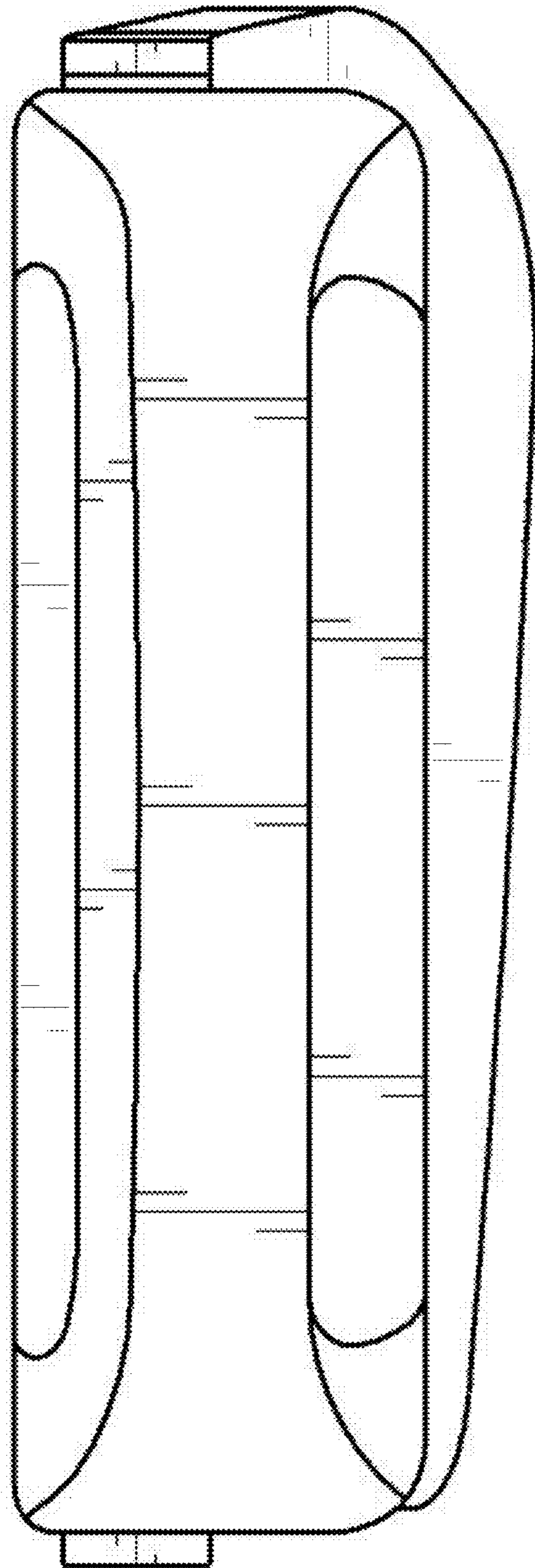
**Fig. 3**



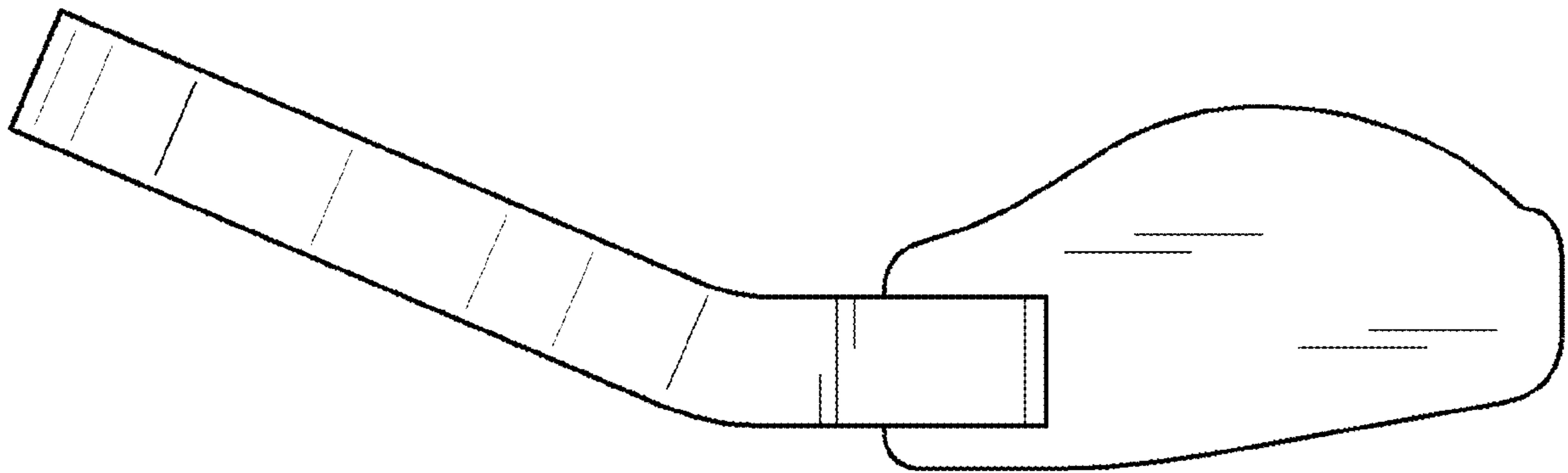
**Fig. 4**



**Fig. 5**



**Fig. 6**





**Fig. 7**

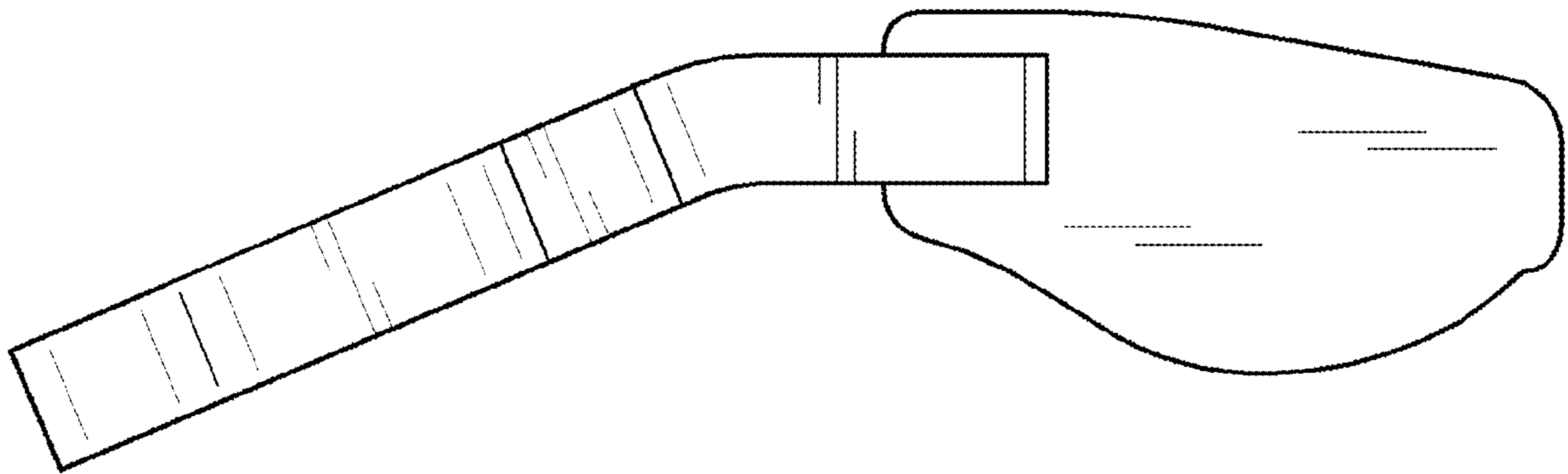


Fig. 8

