



US00D907525S

(12) **United States Design Patent** (10) **Patent No.:** **US D907,525 S**
Devaney et al. (45) **Date of Patent:** **** Jan. 12, 2021**

(54) **WATCH STRAP**

(71) Applicant: **Sol-Light, LLC**, Las Vegas, NV (US)

(72) Inventors: **William F. Devaney**, Boston, MA (US);
Phillip Grandinetti, III, Carlsbad, CA (US); **Michael Massucco**, Oakland, CA (US); **David Nelson**, Las Vegas, NV (US)

(73) Assignee: **Sol-Light, LLC.**, Las Vegas, NV (US)

(**) Term: **15 Years**

(21) Appl. No.: **29/678,353**

(22) Filed: **Jan. 28, 2019**

(51) **LOC (13) Cl.** **11-01**

(52) **U.S. Cl.**
USPC **D11/94**

(58) **Field of Classification Search**
USPC D11/1-29, 86-88, 94; D10/30, 32, 38
CPC .. A44C 5/00; A44C 5/18; A44C 5/185; A44C
5/20; A44C 5/14
See application file for complete search history.

(56) **References Cited**

U.S. PATENT DOCUMENTS

| | | | | | |
|-----------|------|---------|--------------|-------|---------------------|
| 2,434,383 | A * | 1/1948 | Benjamin | | 63/5.1 |
| D343,584 | S * | 1/1994 | Olmes | | D10/32 |
| D603,905 | S * | 11/2009 | Green | | D19/99 |
| 8,225,626 | B1 * | 7/2012 | Blau | | G09F 3/005 63/11 |
| D703,750 | S * | 4/2014 | Tsai | | D19/99 |
| D739,780 | S | 9/2015 | Akana et al. | | |
| D746,707 | S * | 1/2016 | Akana | | D10/70 |
| D813,076 | S | 3/2018 | Akana et al. | | |
| D815,203 | S * | 4/2018 | Sato | | D19/99 |

| | | | | | |
|----------|-----|--------|--------------|-------|---------|
| D815,972 | S | 4/2018 | Akana et al. | | |
| D824,240 | S * | 7/2018 | Harrier | | D8/349 |
| D857,542 | S * | 8/2019 | Sun | | D11/3 |
| D873,695 | S * | 1/2020 | Chen | | D11/3 |
| D875,587 | S * | 2/2020 | Akana | | D10/103 |

* cited by examiner

Primary Examiner — **Zenia I Bennett**

(74) *Attorney, Agent, or Firm* — **Banner & Witcoff, Ltd.**

(57) **CLAIM**

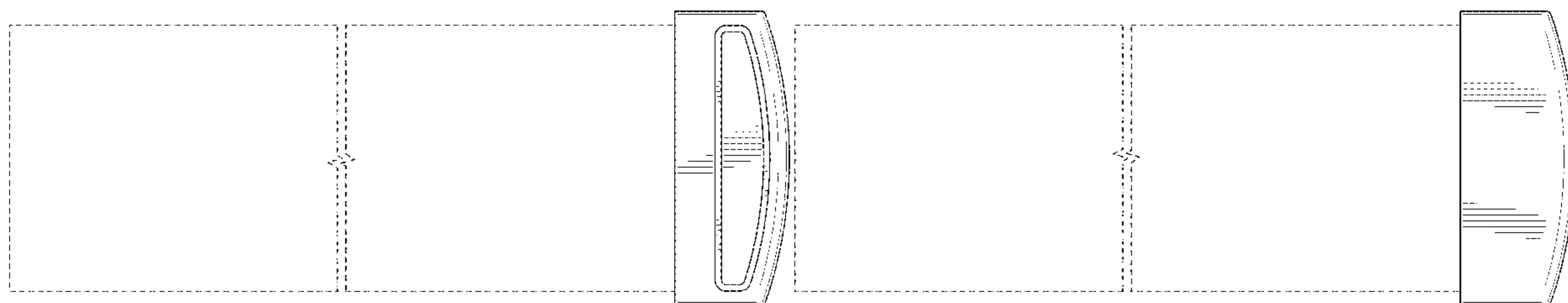
The ornamental design for a watch strap, as shown and described.

DESCRIPTION

FIG. 1 is a top front perspective view of a watch strap showing our new design;
 FIG. 2 is a bottom rear perspective view thereof;
 FIG. 3 is a top view thereof;
 FIG. 4 is a bottom view thereof;
 FIG. 5 is a right side view thereof;
 FIG. 6 is a left side view thereof;
 FIG. 7 is a front view thereof;
 FIG. 8 is a rear view thereof;
 FIG. 9 is a top perspective view of an alternate embodiment of a watch strap showing our new design;
 FIG. 10 is a top view thereof;
 FIG. 11 is a right side view thereof;
 FIG. 12 is a left side view thereof;
 FIG. 13 is a front view thereof; and,
 FIG. 14 is a rear view thereof.

The broken lines immediately adjacent to the shaded areas represent the bounds of the claimed design and form no part thereof. The broken lines depicting the remainder of the watch strap show features that form no part of the claimed design.

1 Claim, 8 Drawing Sheets



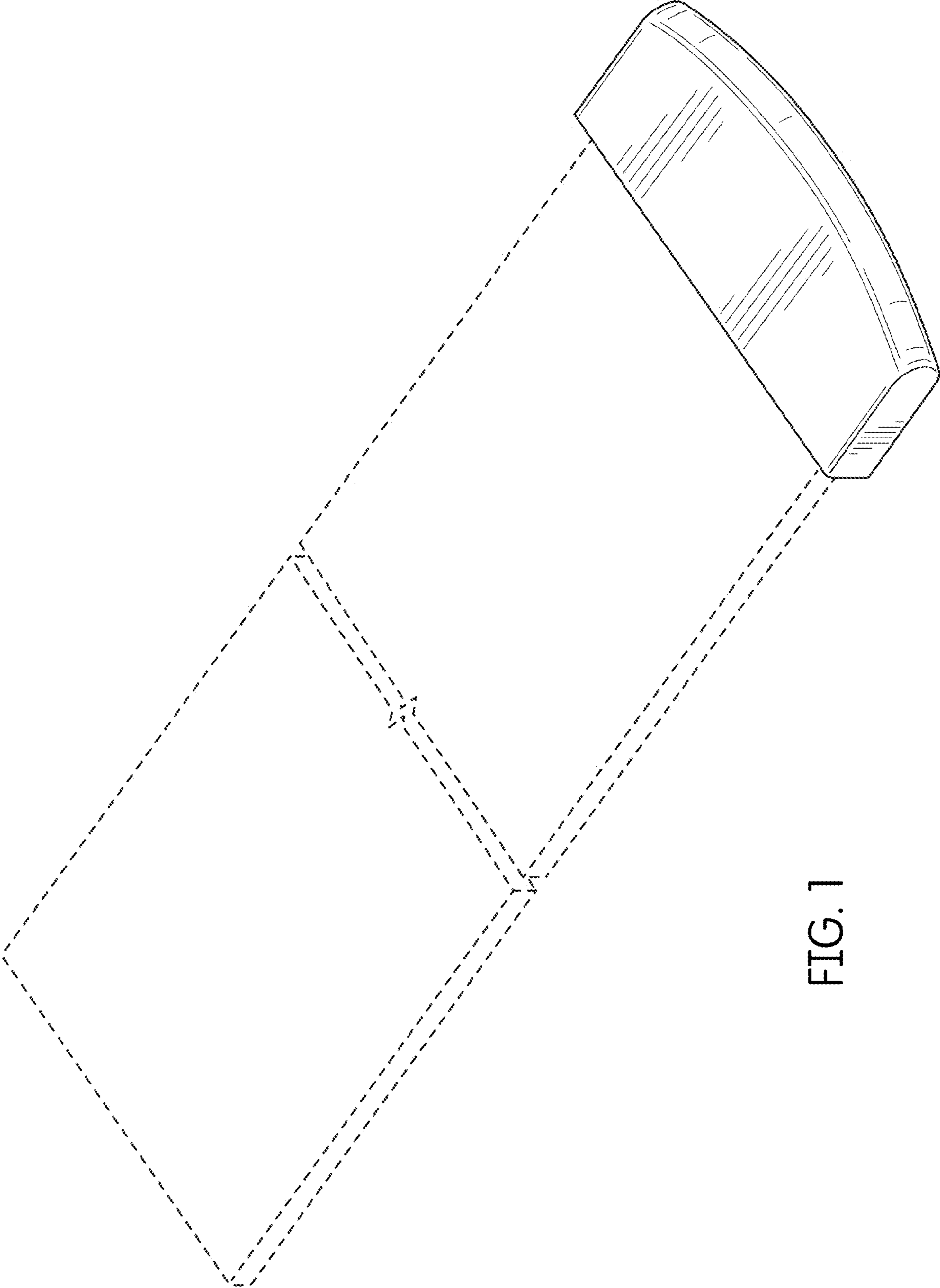


FIG. 1

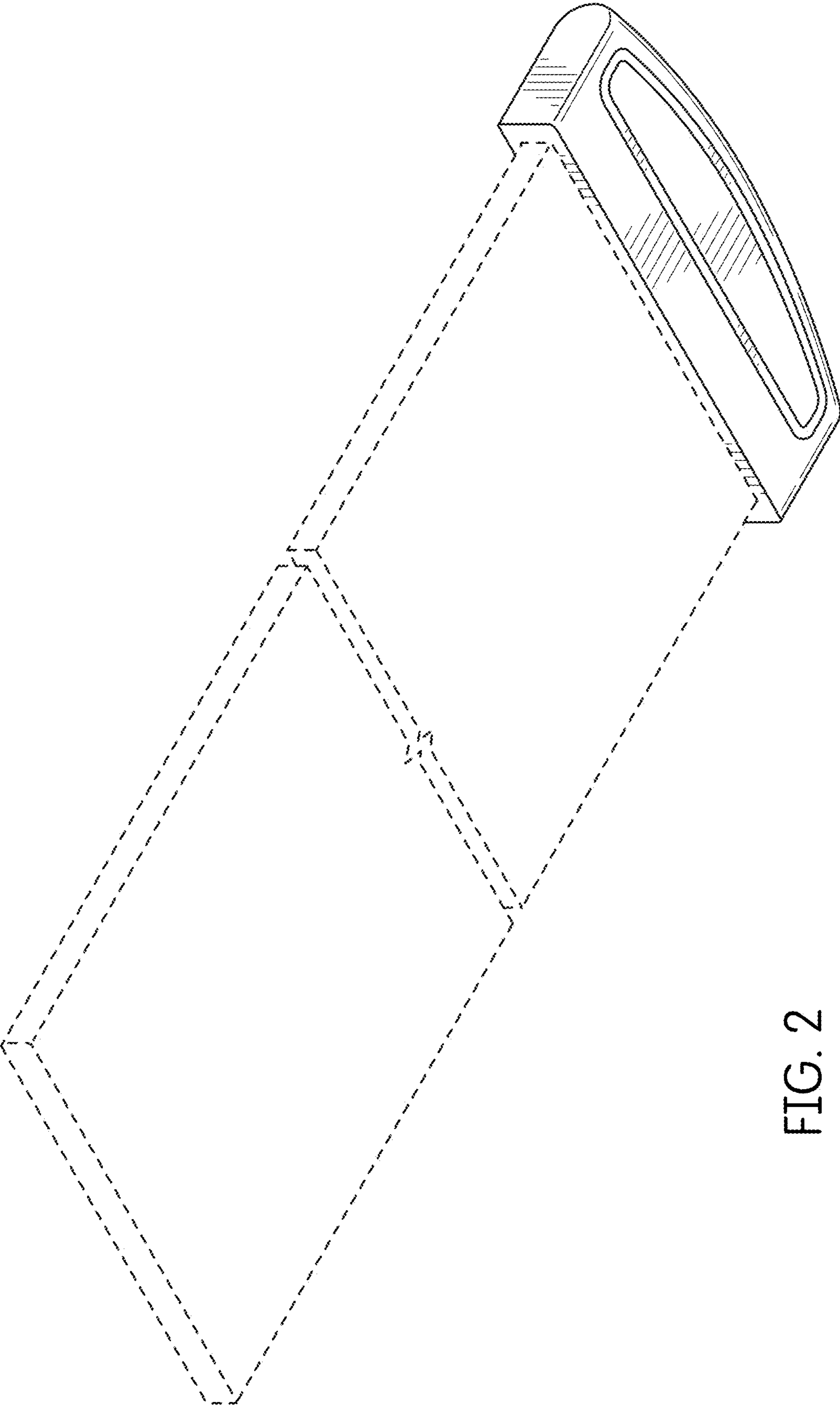


FIG. 2

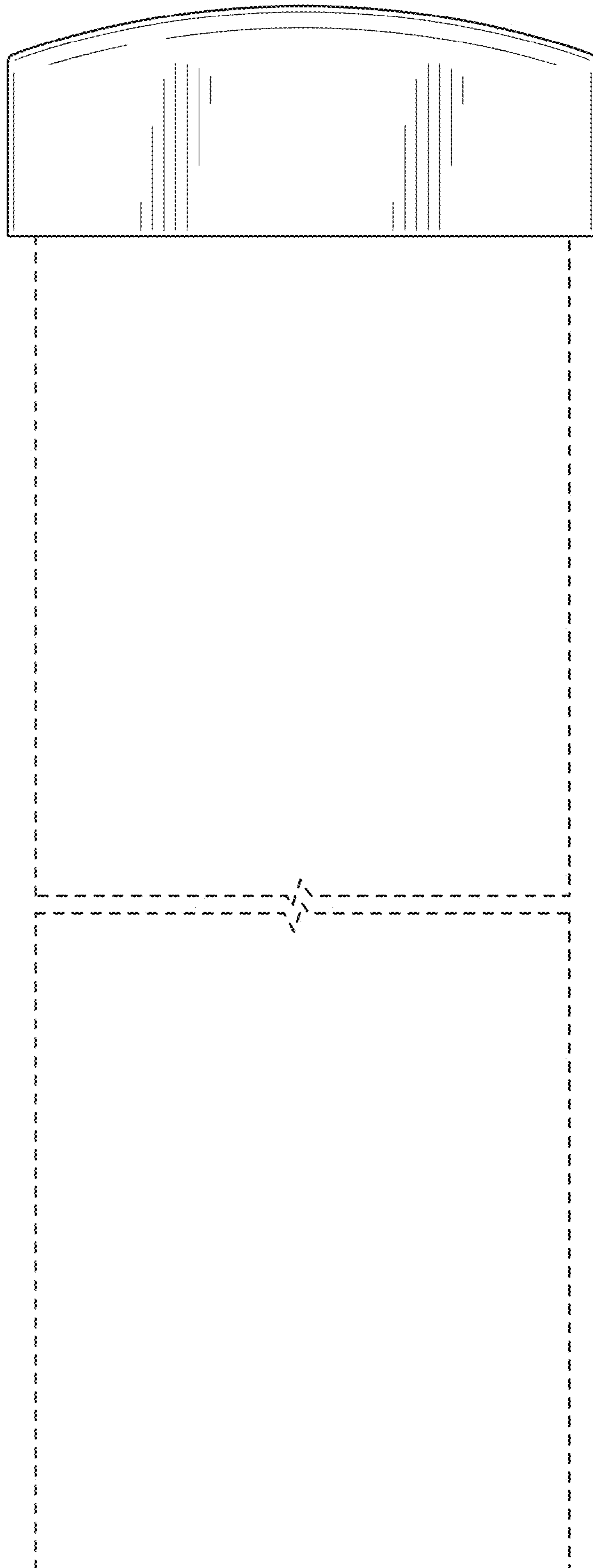


FIG. 3

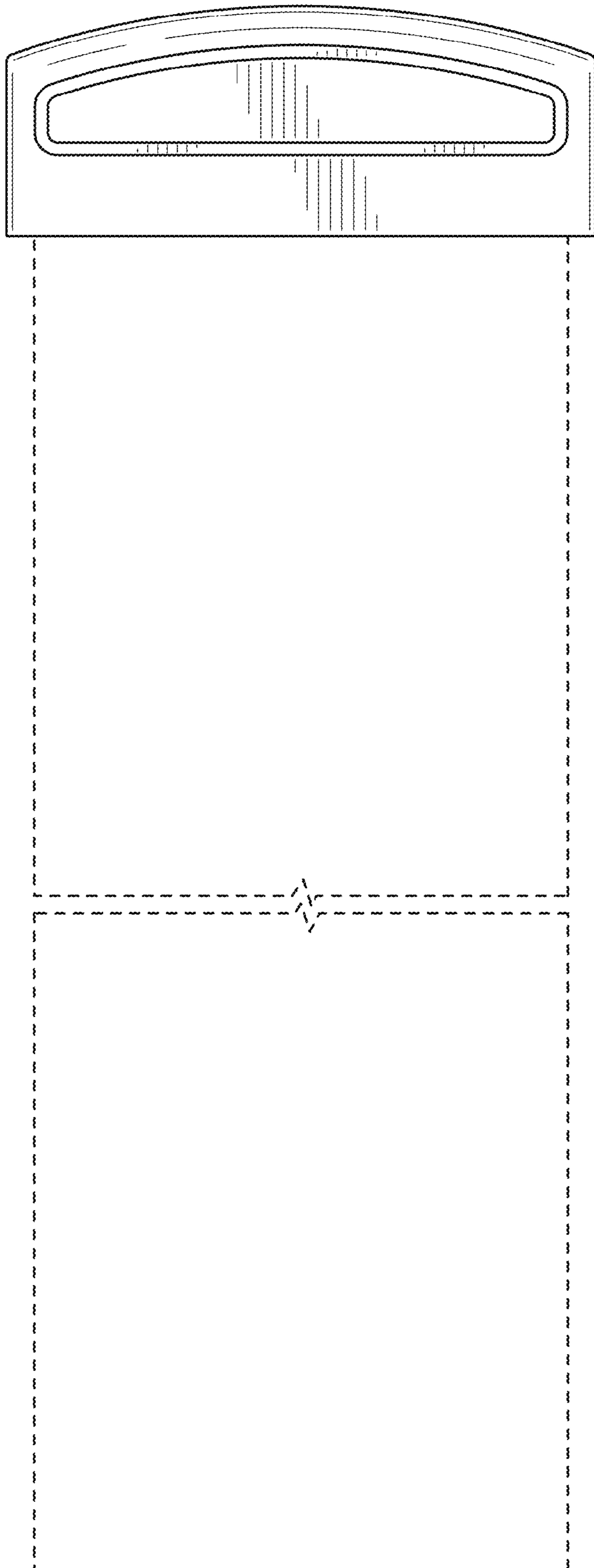


FIG. 4

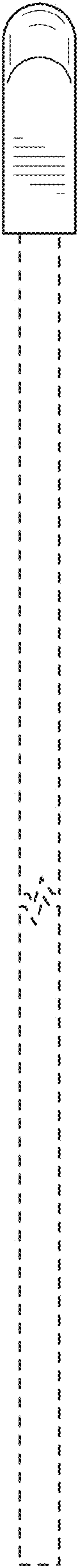


FIG. 5

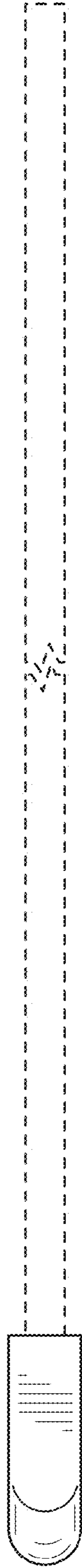


FIG. 6

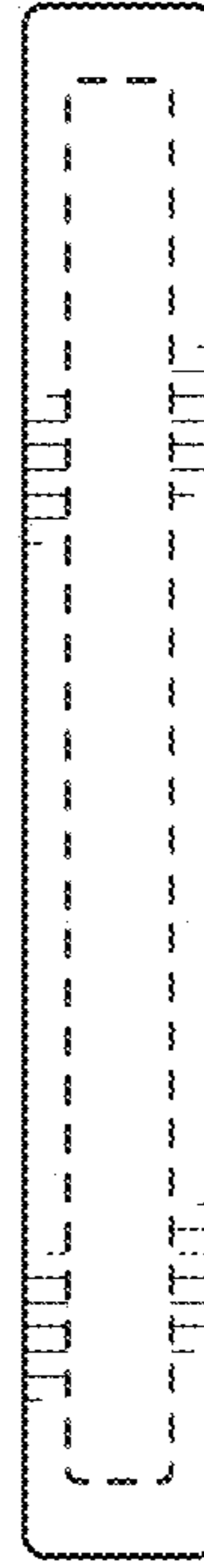


FIG. 8

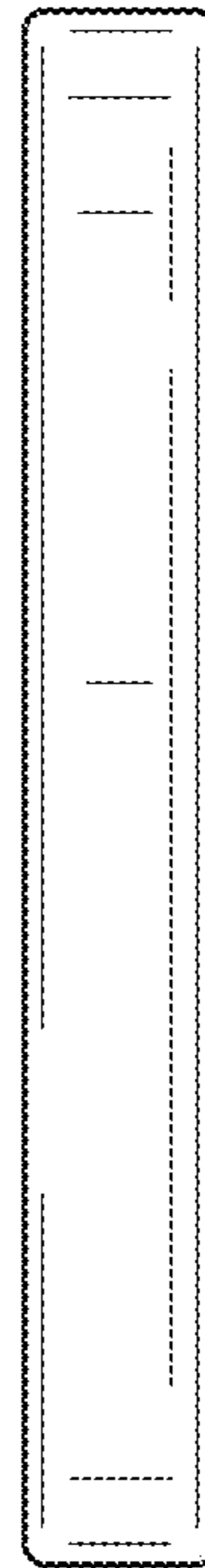


FIG. 7

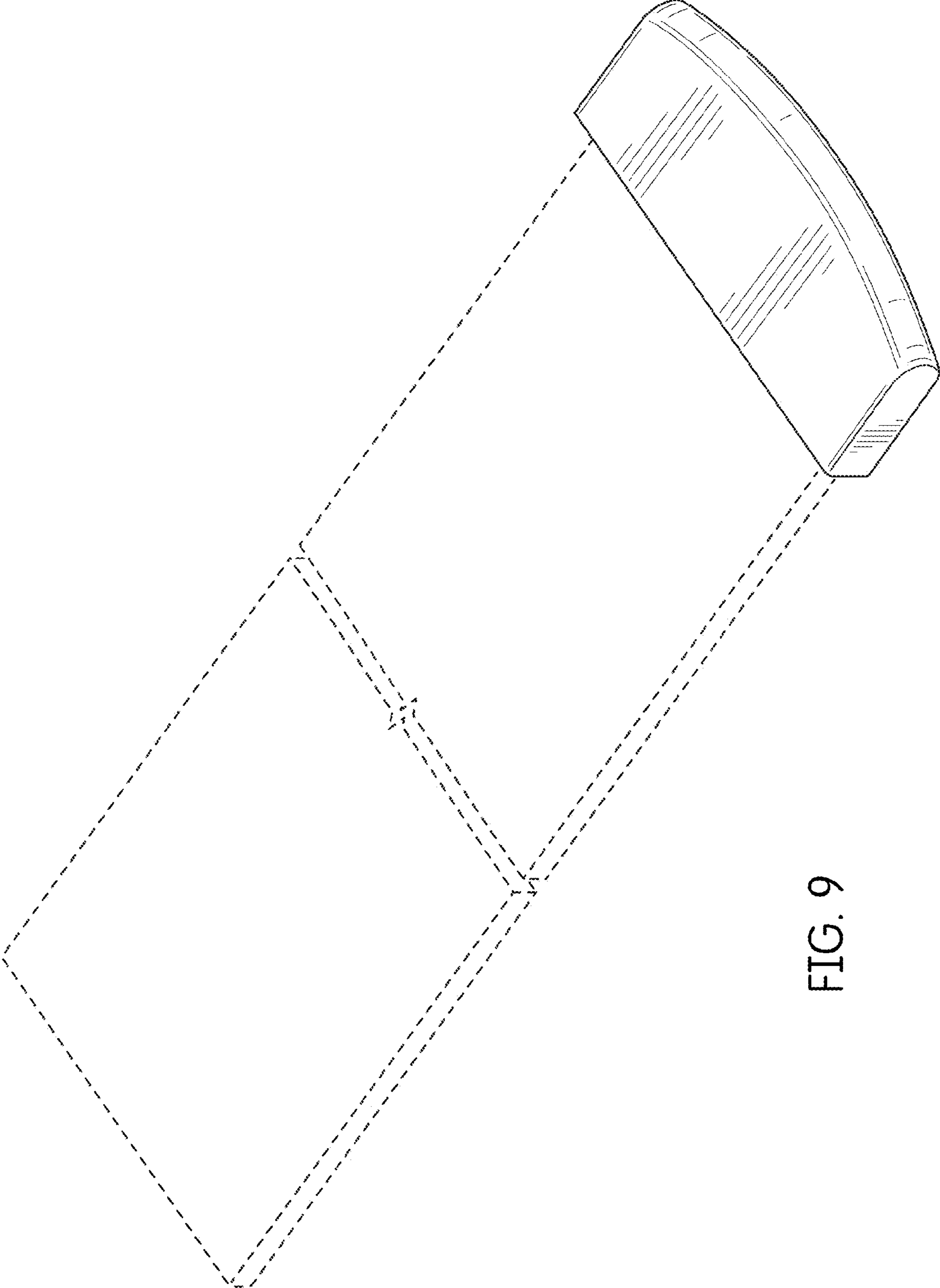


FIG. 9

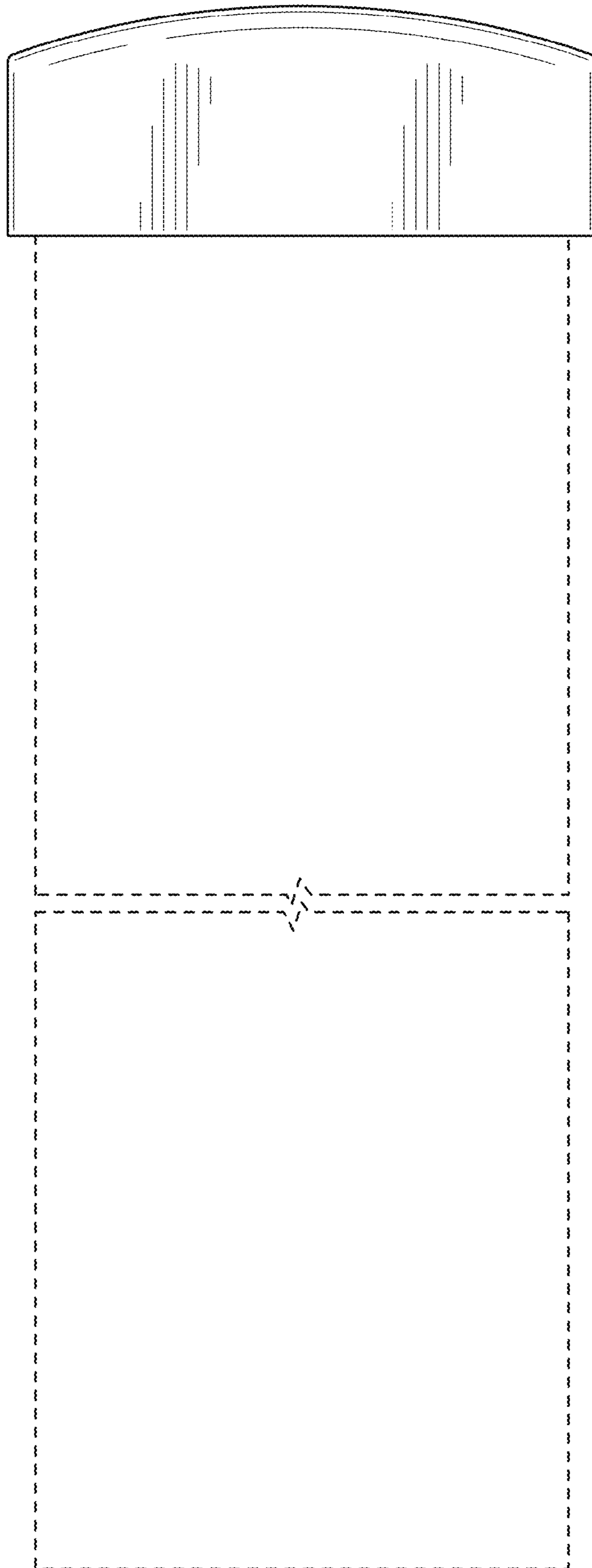


FIG. 10

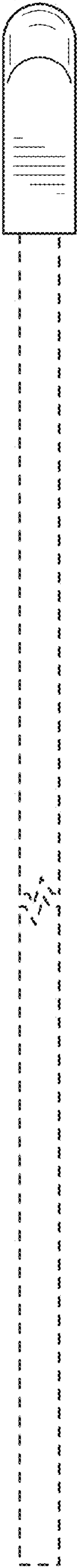


FIG. 11

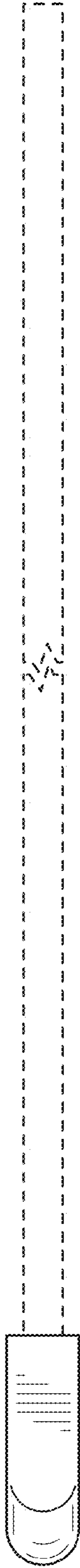


FIG. 12

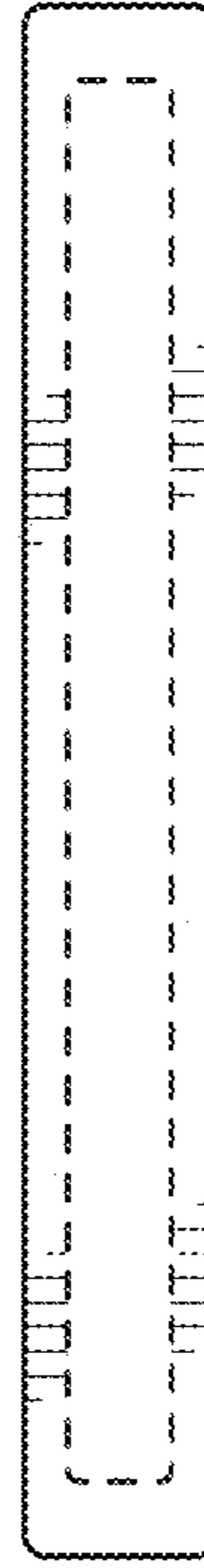


FIG. 14

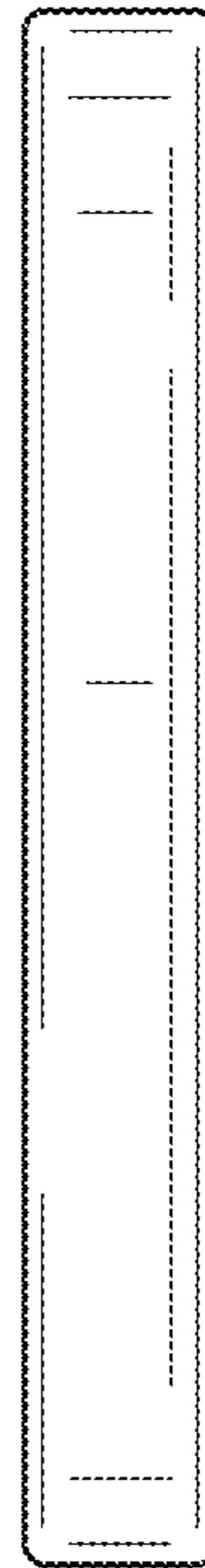


FIG. 13